

HAMMER[®] STRENGTH

**HAMMER
STRENGTH[®]**

HDL ELITE RACKS

PARTS MANUAL

SINGLE RACKS: HDLASR * HDLDAP * HDLHR * HDLMR * HDLPR

COMBO RACKS: HDLCR - PR/MR * HRS * HRL



TABLE OF CONTENTS

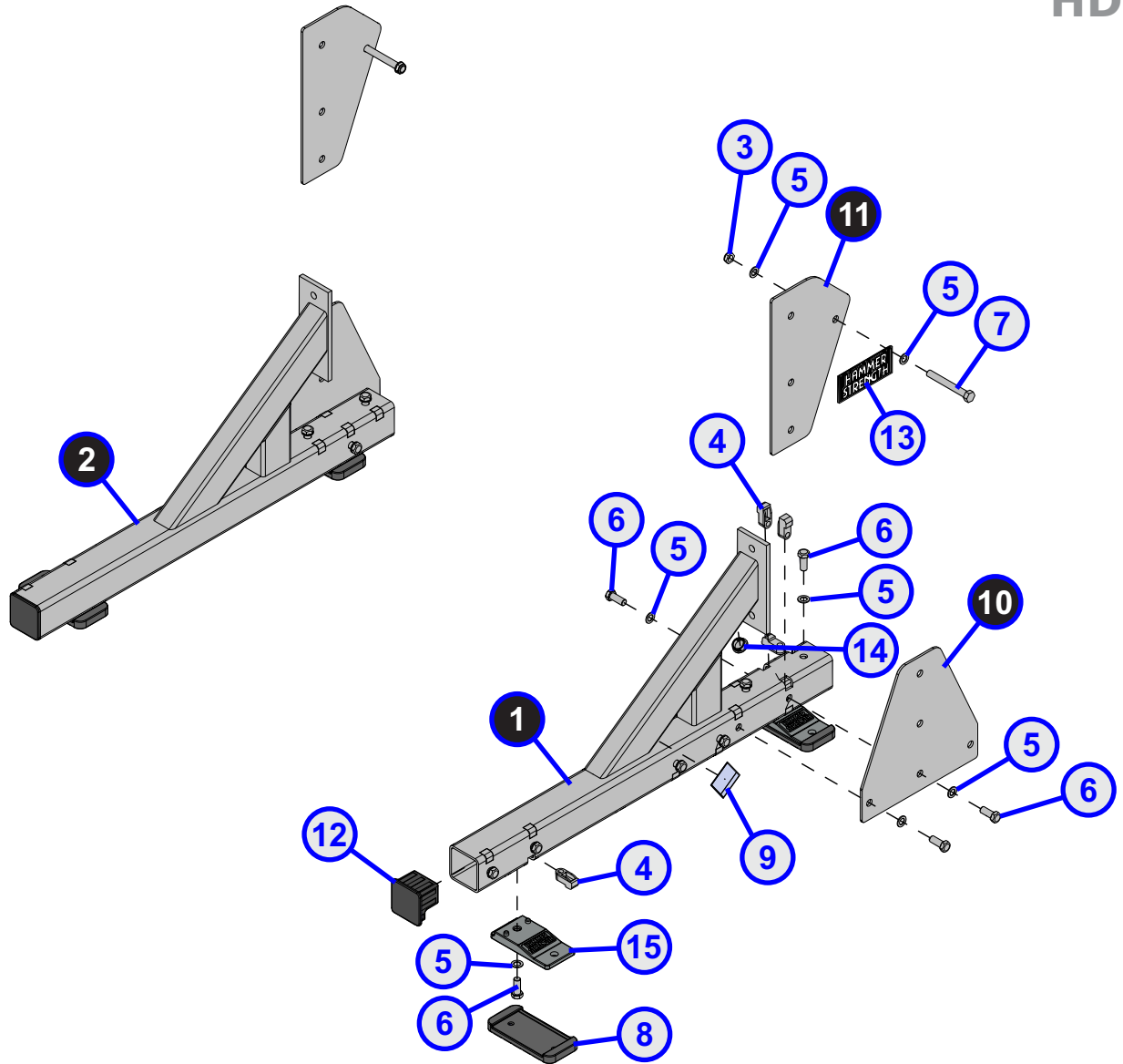
BASES		BAR CATCHES		CABLE UNITS - DAP	
HDLHR STD BASE	3	HR/HRS LEFT	43	STAND ALONE DAP ASSEMBLY	82
HDLHRS STD BASE	4	HR/HRS RIGHT	44	8' TOWER	83
HDLMR STD BASE	5	PR/MR	45	8' TOWER LEGEND	84
HDLMR SUMO BASE	6			9' TOWER	85
HDLPR STD BASE	7	OPTIONAL EQUIPMENT		9' TOWER LEGEND	86
HDLPR SUMO BASE	8	SLIDING BAND PEGS	46	CARRIAGE ASSEMBLY	87
		HRL SLIDING BAND PEG	47	390 LB. WEIGHT STACK	88
STORAGE		LEFT SPOTTER PLATFORM	48	STACK PULLEYS	89
COMBO STR STOR	9	RIGHT SPOTTER PLATFORM	49		
COMBO STOR LD	10	DIP ASSEMBLY	50	CABLE UNITS - HDLROW	
DUAL GUSSET WELDMENT	11	REVERSE DIP ASSEMBLY	51	TOWER ASSEMBLY	90
SINGLE GUSSET WELDMENT	12	LEFT TECH TRAY	52	TOWER ASSEMBLY LEGEND	91
COMBO STOR MS	13	RIGHT TECH TRAY	53	USER STATION	91
MS GUSSET BASE	14	REVERSE LEFT TECH TRAY	54	USER FRAME ASSEMBLY	92
COMBO STOR LS	15	REVERSE RIGHT TECH TRAY	55	SEAT ASSEMBLY	94
90 DEGREE STORAGE	16	POWER PIVOT	56	LINKAGE ASSEMBLY	95
PR/HR/MR SA	17	STEP UP	57	HANDLE REST	96
COMBO STD	18	REVERSE STEP UP	58	SWIVEL PULLEY ASSEMBLY	97
PR/MR/HR SA KB/BP	19	LEFT HAND UPPER BAND PEG	59		
KB/BP FRONT LOAD	20	RIGHT HAND UPPER BAND PEG	60	CABLE UNITS - HDLDP & HDLDR	
KB/BP TRAY	21	SLS ASSEMBLY	61	TOWER ASSEMBLY	98
KB/BP SIDE LOAD	22	DOCK LOCK	62	TOWER ASSEMBLY LEGEND	99
SIDE LOAD TRAY	23	BRANDING PLATE	63	PULLDOWN SEAT ASSEMBLY	100
ANGLED WEIGHT HORNS	24	ROPE PULL	64	DUAL PULLDOWN ROW ASSEMBLY	101
		ROPE PULL - LOW	65	HDLPRD USER STATION	102
UPRIGHTS		ADJUSTABLE BAND PEG	66	HDLPRD USER STATION TABLE	103
HDLHR 8'	25	STD. BASE BAND PEGS	67	THIGH HOLD DOWN ASSEMBLY	104
HDLHR 9'	26	SUMO BASE BAND PEGS	68		
HDLHRS 8'	27	NORDIC HAM	69	CABLE UNITS - ROW, PD & DPR	
HDLHRS 9'	28	ACCESSORY ANVIL PLATES	70	300 LB. WEIGHT STACK	105
HDLMR 8'	29	PR FLEXIBLE BAR CATCH	71	ROW & PD CONNECTING HARDWARE	106
HDLMR 9'	30	PR FLEXIBLE BAR CATCH BRACKET	72	STAND ALONE BASE	107
HDLPR 8'	31	ROPE ATTACHMENT WELDMENT	73		
HDLPR 9'	32	HALF RACK BAR CATCH STORAGE	74	HDLASR ACCESSORY STORAGE RACK	
		HDL BAR STORAGE	75	HDLASR ACCESSORY STORAGE RACK	108
PULL-UP BARS		BALL STORAGE WELDMENT	76		
PULL-UP BARS	33	SAEFTY SQUAT HANDLES	77		
PULL-UP COMPONENTS	34	HR BAR STORAGE WELDMENT	78		
ROTATING PULL-UP COMPONENTS	35	MS BAR STORAGE WELDMENT	79		
3-HANDLE PULL-UP (HDLPR)	36	RACK CONNECTOR - ROUND	80		
WING PULL-UP (HDLPR)	37	RACK CONNECTOR - SQUARE	81		
SIDE PULL-UP BAR (HDLPR)	38				
BAR SUPPORTS					
HR/HRS LEFT	39				
HR/HRS RIGHT	40				
PR/MR LEFT REVERSE	41				
PR/MR RIGHT REVERSE	42				

KEY:

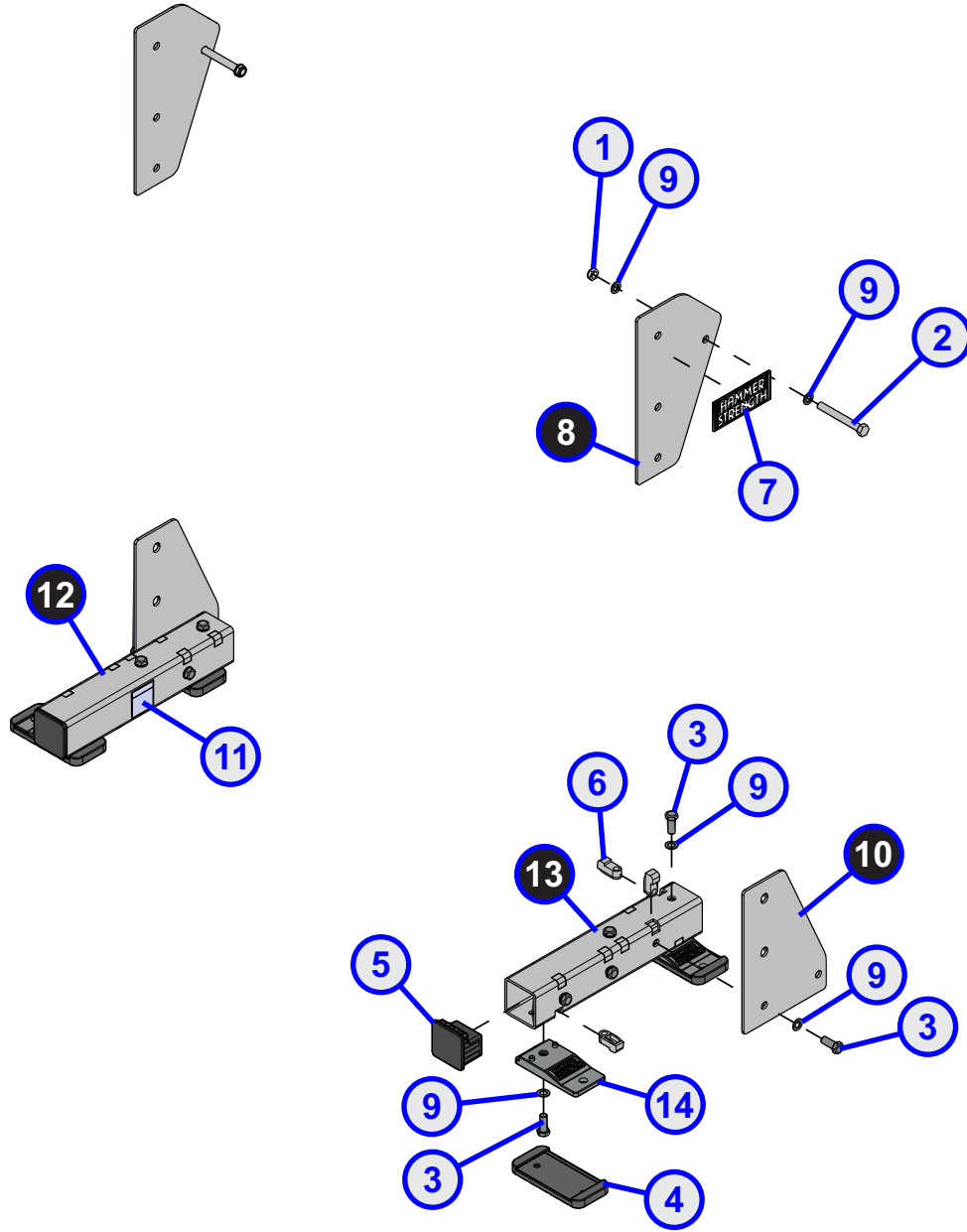
Indicates Color Item
-specify desired color in order notes

Indicates Language Specific Item
- replace XX with below code

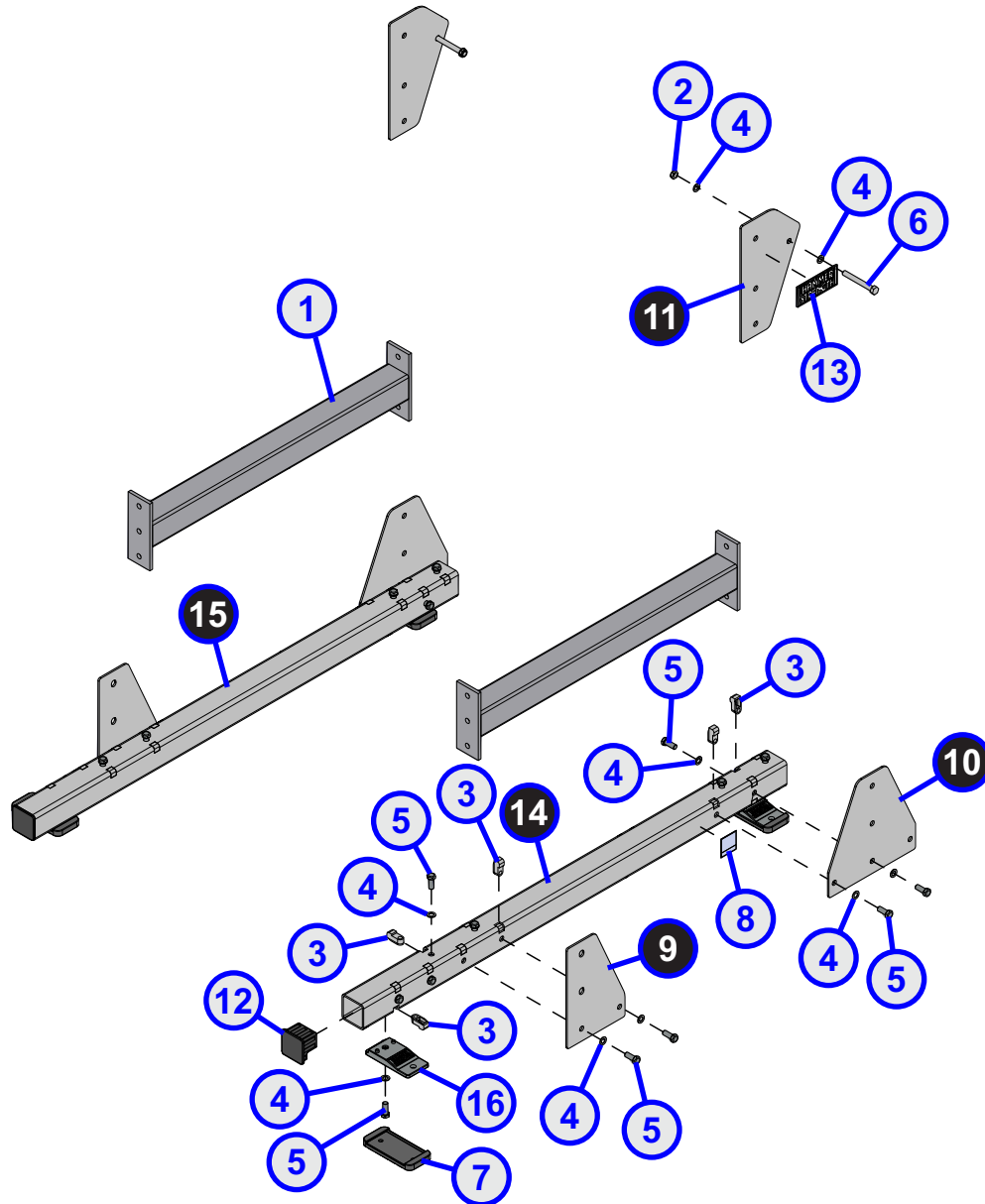
Language Codes
 01 English
 02 German
 03 French
 04 Spanish
 05 Italian
 06 Dutch
 07 Japanese
 08 Portuguese
 10 Russian



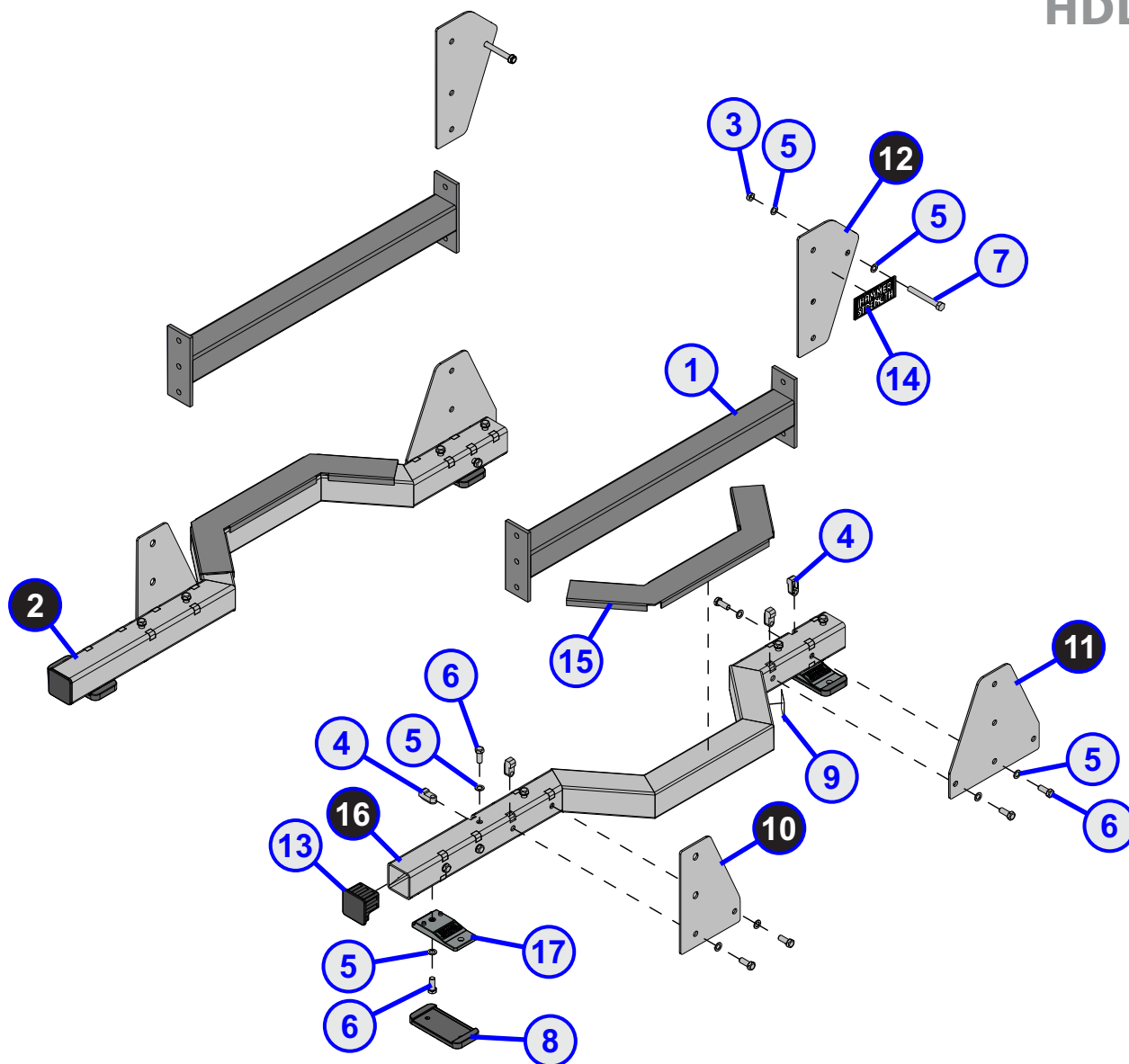
ITEM NO.	QTY.	PART NO.	DESCRIPTION
1	1	1000158-0000	WLDMT, HDLHR, BASE, STD, LT
2	1	1000156-0000	WLDMT, HDLHR, BASE, STD, RT
3	2	NUT.5JAMLOCK	1/2 THIN LOCK NUT
4	22	9097301	NUT, RECT TUBING, 7GA, 3"
5	26	WASH.5STAR	1/2" INTERNAL LOCK WASHER
6	22	3272805	1/2 IN-13 X 1.25 IN UNC HHCS G5 ZN
7	2	HHB.5X4	1/2 X 4 BOLT
8	4	MM-9	3 X 6 FLANGE RUBBER SLIPPER
9	1	7571301	LABEL, SERIAL NUMBER, BLANK
10	2	9016600	PLATE, HDEPR/MR, ANVIL, BACK
11	2	9212400	PLATE, HDE, ANVIL, UPPER
12	2	9212801	CAP, 3X3 SQ END
13	2	H-NAMEPLATE	HAMMER STRENGTH BADGE
14	2	3237403	PLUG, 1" HOLE
15	4	9407393	FOOT, HDL - HWG



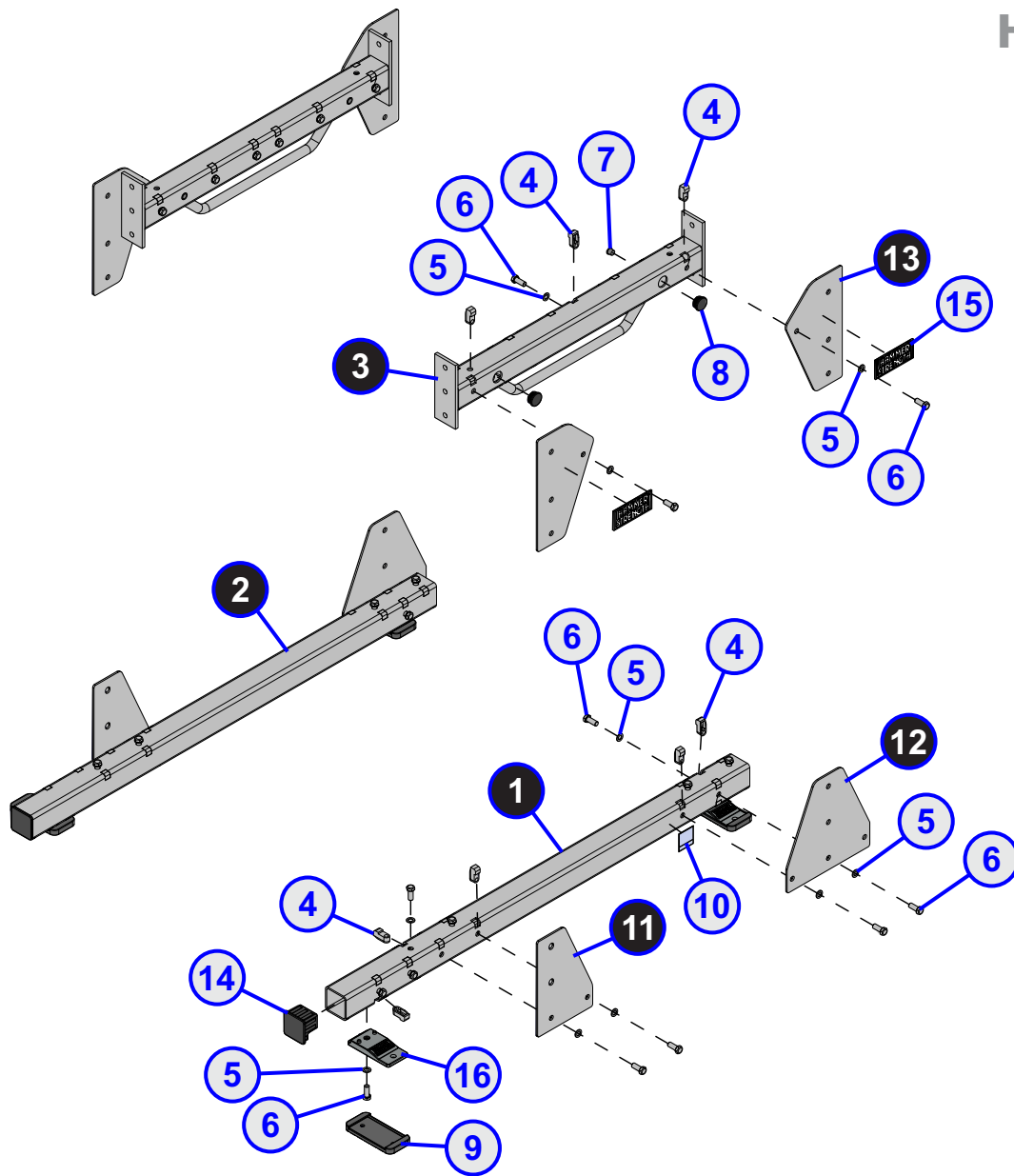
ITEM NO.	QTY.	PART NO.	DESCRIPTION
1	2	NUT.5JAMLOCK	1/2 THIN LOCK NUT
2	2	HHB.5X4	1/2 X 4 BOLT
3	16	3272805	1/2 IN-13 X 1.25 IN UNC HHCS G5 ZN
4	4	MM-9	3 X 6 FLANGE RUBBER SLIPPER
5	2	9212801	CAP, 3X3 SQ END
6	16	9097301	NUT, RECT TUBING, 7GA, 3"
7	2	H-NAMEPLATE	HAMMER STRENGTH BADGE
8	2	9212400	PLATE, HDE, ANVIL, UPPER
9	20	WASH.5STAR	1/2" INTERNAL LOCK WASHER
10	2	9016400	PLATE, HDE, ANVIL, LOWER
11	1	7571301	LABEL, SERIAL NUMBER, BLANK
12	1	1000166-0001	TUBE, HDLHRS, BASE, LT
13	1	1000165-0001	TUBE, HDLHRS, BASE, RT
14	4	9407393	FOOT, HDL - HWG



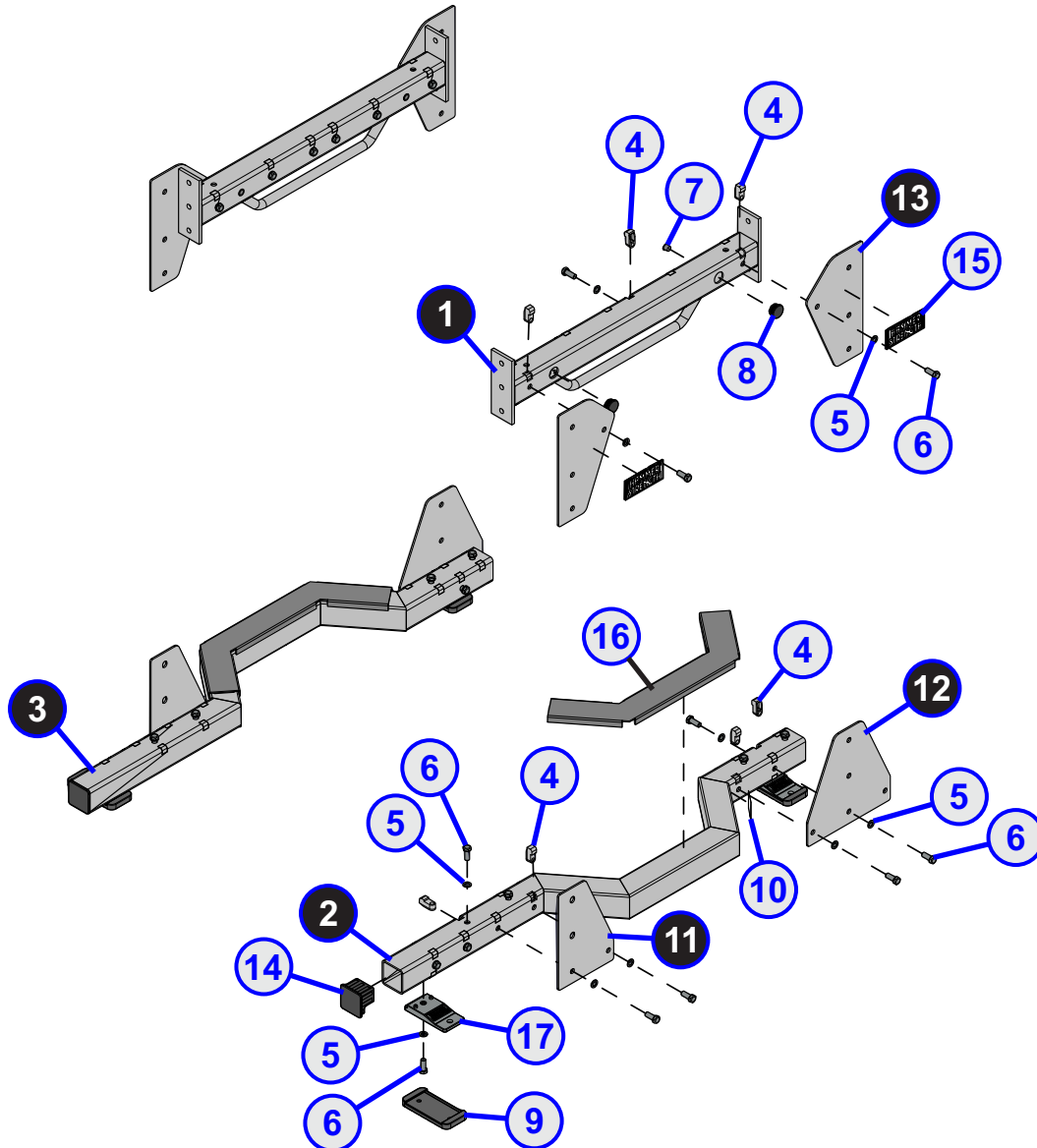
ITEM NO.	QTY.	PART NO.	DESCRIPTION
1	2	9030800	WLDMT, HDEM, FNT X-MEM
2	2	NUT.5JAMFINE	1/2IN JAM NUT FINE
3	26	9097301	NUT, RECT TUBING, 7GA, 3"
4	30	WASH.5STAR	1/2" INTERNAL LOCK WASHER
5	26	3272805	1/2 IN-13 X 1.25 IN UNC HHCS G5 ZN
6	2	HHB.5X4	1/2 X 4 BOLT
7	4	MM-9	3 X 6 FLANGE RUBBER SLIPPER
8	1	7571301	LABEL, SERIAL NUMBER, BLANK
9	2	9016400	PLATE, HDE, ANVIL, LOWER
10	2	9016600	PLATE, HDEPR/MR, ANVIL, BACK
11	2	9212400	PLATE, HDE, ANVIL, UPPER
12	2	9212801	CAP, 3X3 SQ END
13	2	H-NAMEPLATE	HAMMER STRENGTH BADGE
14	1	1000186-0002	TUBE, HDLPR/MR, BASE, LT
15	1	1000186-0001	TUBE, HDLPR/MR, BASE, RT
16	4	9407393	FOOT, HDL - HWG



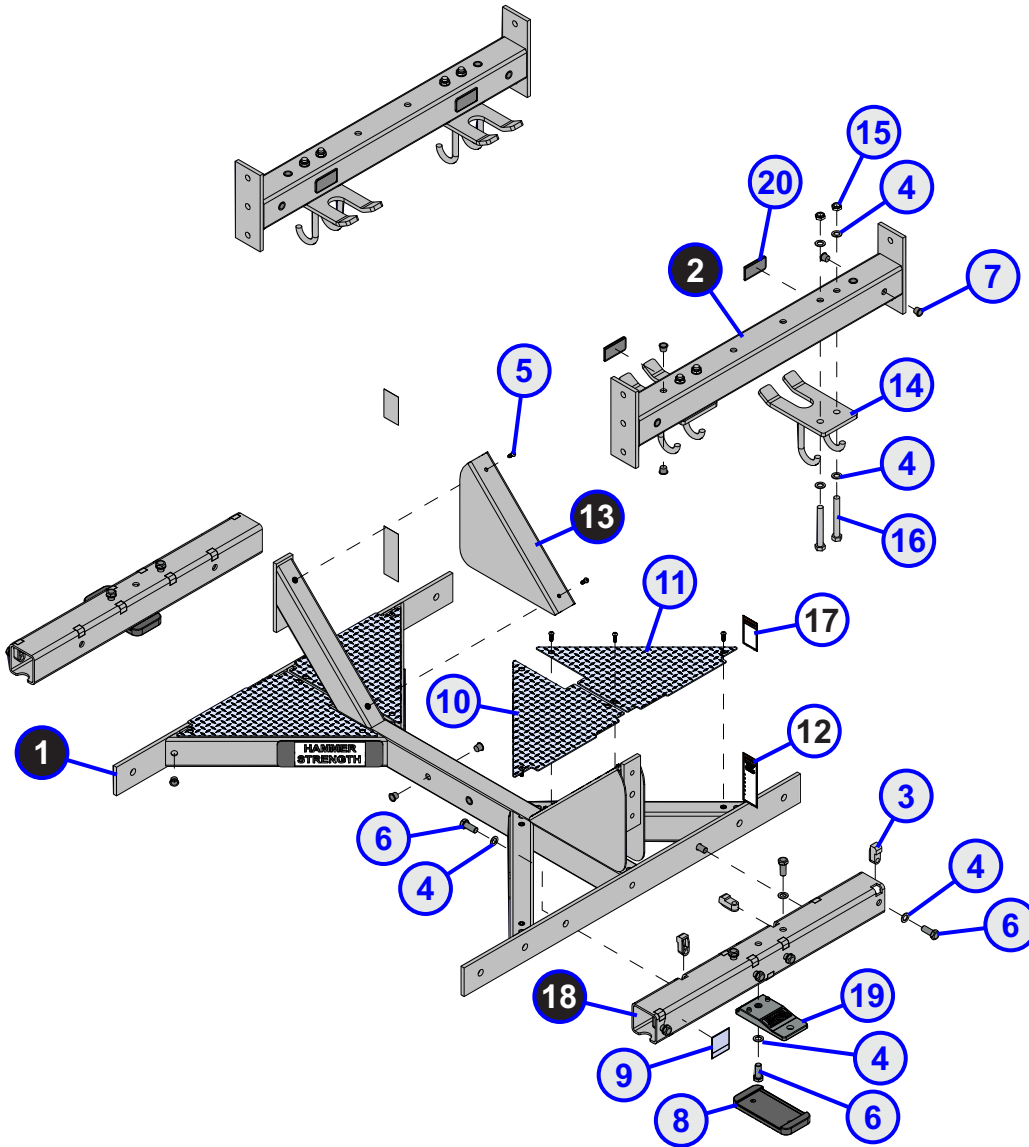
ITEM NO.	QTY.	PART NO.	DESCRIPTION
1	2	9030800	WLDMT, HDEMR, FNT X-MEM
2	1	1000210-0000	WLDMT, HDLPR/MR, BASE, SUMO, RT
3	2	NUT.5JAMLOCK	1/2 THIN LOCK NUT
4	26	9097301	NUT, RECT TUBING, 7GA, 3"
5	30	WASH.5STAR	1/2" INTERNAL LOCK WASHER
6	26	3272805	1/2 IN-13 X 1.25 IN UNC HHCS G5 ZN
7	2	HHB.5X4	1/2 X 4 BOLT
8	4	MM-9	3 X 6 FLANGE RUBBER SLIPPER
9	1	7571301	LABEL, SERIAL NUMBER, BLANK
10	2	9016400	PLATE, HDE, ANVIL, LOWER
11	2	9016600	PLATE, HDEPR/MR, ANVIL, BACK
12	2	9212400	PLATE, HDE, ANVIL, UPPER
13	2	9212801	CAP, 3X3 SQ END
14	2	H-NAMEPLATE	HAMMER STRENGTH BADGE
15	2	8797500	ASSY, HDE SUMO PAINT GUARD
16	1	1000200-0000	WLDMT, HDLPR/MR, BASE, SUMO, LT
17	4	9407393	FOOT, HDL - HWG



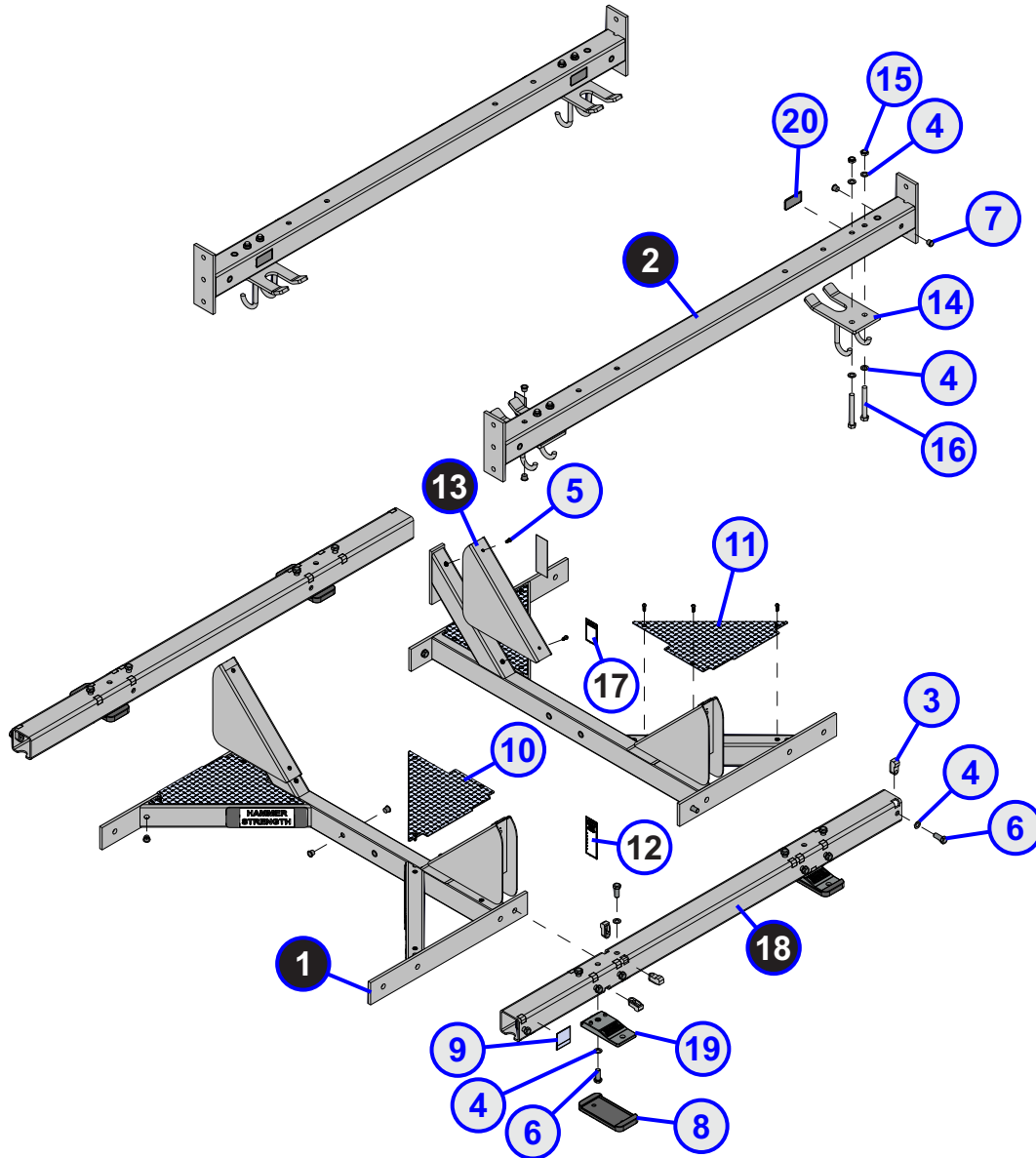
ITEM NO.	QTY.	PART NO.	DESCRIPTION
1	1	1000186-0002	TUBE, HDLPR/MR, BASE, LT
2	1	1000186-0001	TUBE, HDLPR/MR, BASE, RT
3	2	9017500	WLDMT, HDEPR, TOP X-MEM
4	42	9097301	NUT, RECT TUBING, 7GA, 3"
5	42	WASH.5STAR	1/2" INTERNAL LOCK WASHER
6	42	3272805	1/2 IN-13 X 1.25 IN UNC HHCS G5 ZN
7	4	H-HPLUG(REG)	H-PLUG 9-16
8	4	3119306	CAP, END 1-1/2 DIA, 8-12GA
9	4	MM-9	3 X 6 FLANGE RUBBER SLIPPER
10	1	7571301	LABEL, SERIAL NUMBER, BLANK
11	2	9016400	PLATE, HDE, ANVIL, LOWER
12	2	9016600	PLATE, HDEPR/MR, ANVIL, BACK
13	4	9212400	PLATE, HDE, ANVIL, UPPER
14	2	9212801	CAP, 3X3 SQ END
15	4	H-NAMEPLATE	HAMMER STRENGTH BADGE
16	4	9407393	FOOT, HDL



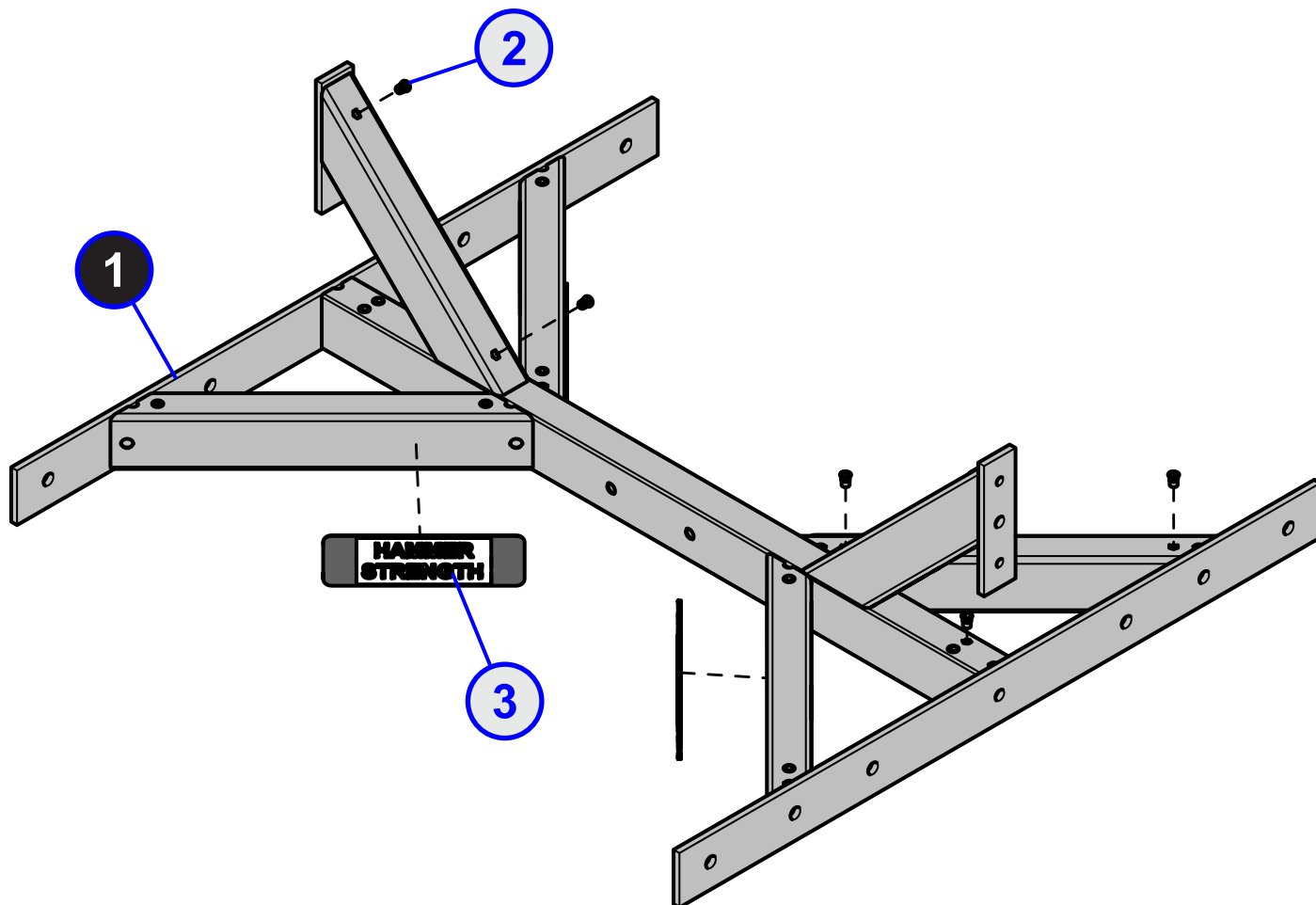
ITEM NO.	QTY.	PART NO.	DESCRIPTION
1	1	9017500	WLDMT, HDEPR, TOP X-MEM
2	1	1000200-0000	WLDMT, HDLPR/MR, BASE, SUMO, LT
3	1	1000210-0000	WLDMT, HDLPR/MR, BASE, SUMO, RT
4	41	9097301	NUT, RECT TUBING, 7GA, 3"
5	42	WASH.5STAR	1/2" INTERNAL LOCK WASHER
6	42	3272805	1/2 IN-13 X 1.25 IN UNC HHCS G5 ZN
7	4	H-HPLUG(REG)	H-PLUG 9-16
8	4	3119306	CAP, END 1-1/2 DIA, 8-12GA
9	4	MM-9	3 X 6 FLANGE RUBBER SLIPPER
10	1	7571301	LABEL, SERIAL NUMBER, BLANK
11	2	9016400	PLATE, HDE, ANVIL, LOWER
12	2	9016600	PLATE, HDEPR/MR, ANVIL, BACK
13	4	9212400	PLATE, HDE, ANVIL, UPPER
14	2	9212801	CAP, 3X3 SQ END
15	4	H-NAMEPLATE	HAMMER STRENGTH BADGE
16	2	8797500	ASSY, HDE SUMO PAINT GUARD
17	4	9407393	FOOT, HDL - HWG



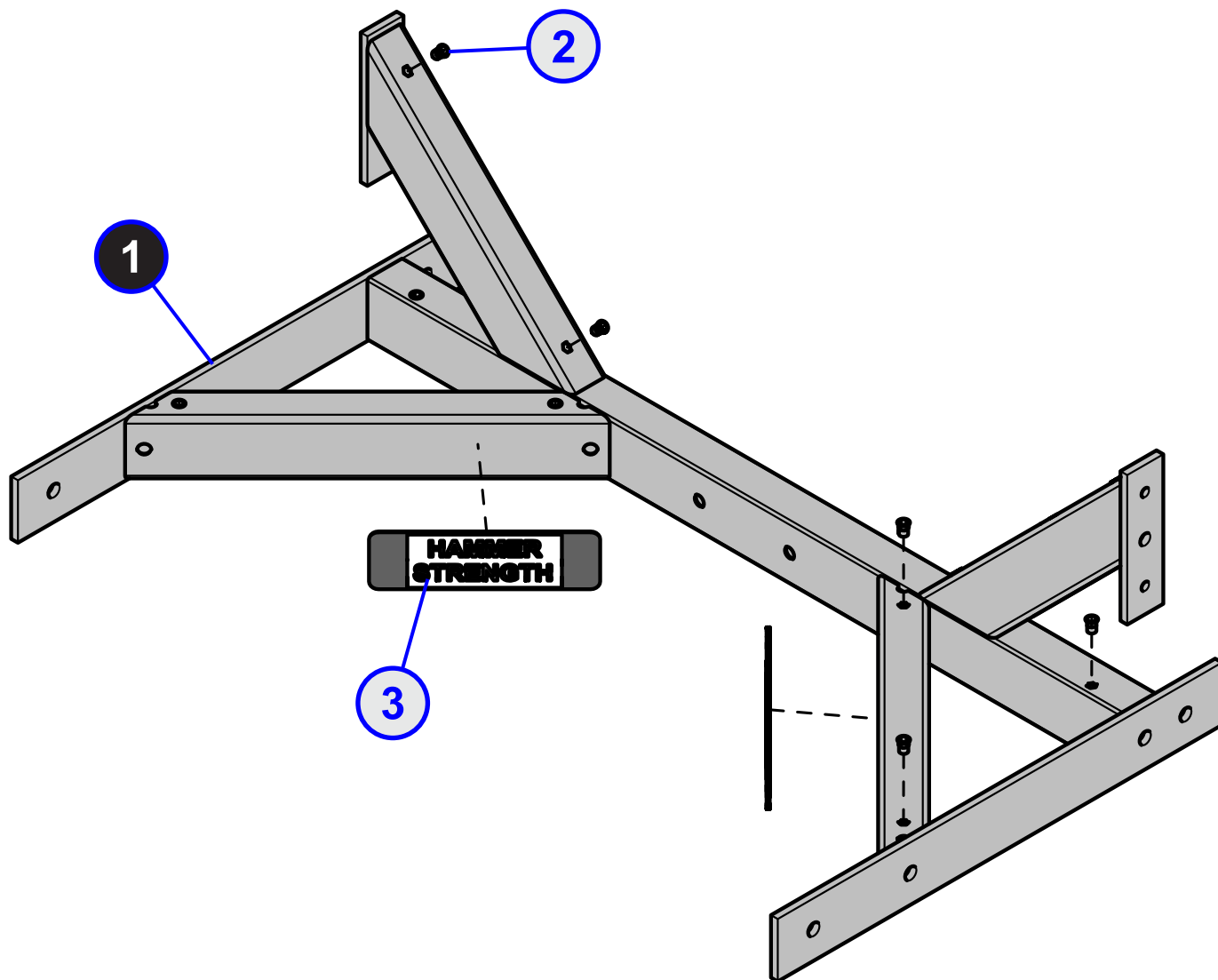
ITEM NO.	QTY.	PART NO.	DESCRIPTION
1	1	9117701	ASSY, HDE, BASE GUSSET, DOUBLE
2	2	9030100	WLDMT, HDE, X-MEM, SRT STGE
3	18	9097301	NUT, RECT TUBING, 7GA, 3"
4	36	WASH.5STAR	1/2" INTERNAL LOCK WASHER
5	16	3272705	SCREW, 1/4"-20 X 3/4", BHSCS
6	18	3272805	1/2 IN-13 X 1.25 IN UNC HHCS G5 ZN
7	26	H-HPLUG(REG)	H-PLUG 9-16
8	2	MM-9	3 X 6 FLANGE RUBBER SLIPPER
9	1	7571301	LABEL, SERIAL NUMBER, BLANK
10	2	9043402	PLATE, HDE DIAMOND
11	2	9043502	PLATE, HDE DIAMOND
12	2	89265XX	LABEL, ASTM, OLY VERT
13	2	9137600	BRKT, HDE, BASE GUSSET COVER
14	4	9112601	WLDMT, HDE, BAR-CHAIN, SML
15	8	NUT.5JAMLOCK	1/2 THIN LOCK NUT
16	8	HHB.5X4	1/2 X 4 BOLT
17	2	91411XX	LABEL, WARN, STRAP TRAIN
18	2	1000196-0001	TUBE, HDL, STOR, SS
19	2	9407393	FOOT, HDL
20	4	H-PLATE-G2	MEDIUM PLATE GUARD



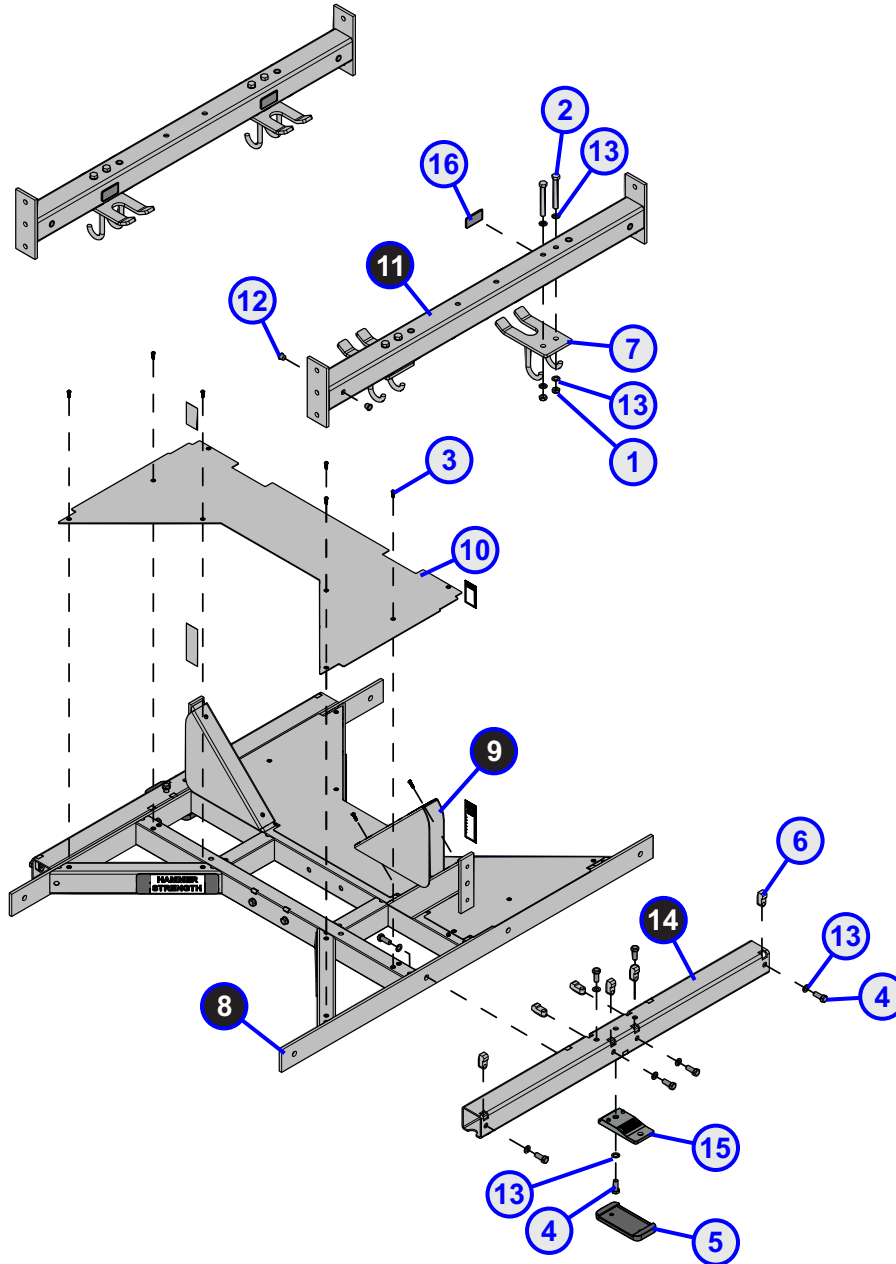
ITEM NO.	QTY.	PART NO.	DESCRIPTION
1	2	9117600	ASSY, HDL, BASE GUSSET, SINGLE
2	2	9030200	WLDMT, HDE, X-MEM, LG STGE
3	28	9097301	NUT, RECT TUBING, 7GA, 3"
4	44	WASH.5STAR	1/2" INTERNAL LOCK WASHER
5	20	3272705	SCREW, 1/4"-20 X 3/4", BHSCS
6	28	3272805	1/2 IN-13 X 1.25 IN UNC HHCS G5 ZN
7	28	H-HPLUG(REG)	H-PLUG 9-16
8	4	MM-9	3 X 6 FLANGE RUBBER SLIPPER
9	1	7571301	LABEL, SERIAL NUMBER, BLANK
10	2	9043402	PLATE, HDE DIAMOND
11	2	9043502	PLATE, HDE DIAMOND
12	2	89265XX	LABEL, ASTM, OLY VERT
13	4	9137600	BRKT, HDE, BASE GUSSET COVER
14	4	9112601	WLDMT, HDE, BAR-CHAIN, SML
15	8	NUT.5JAMLOCK	1/2 THIN LOCK NUT
16	8	HHB.5X4	1/2 X 4 BOLT
17	2	91411XX	LABEL, WARN, STRAP TRAIN
18	2	1000197-0001	TUBE, HDL, STOR, LD
19	4	9407393	FOOT, HDL
20	4	H-PLATE-G2	MEDIUM PLATE GUARD



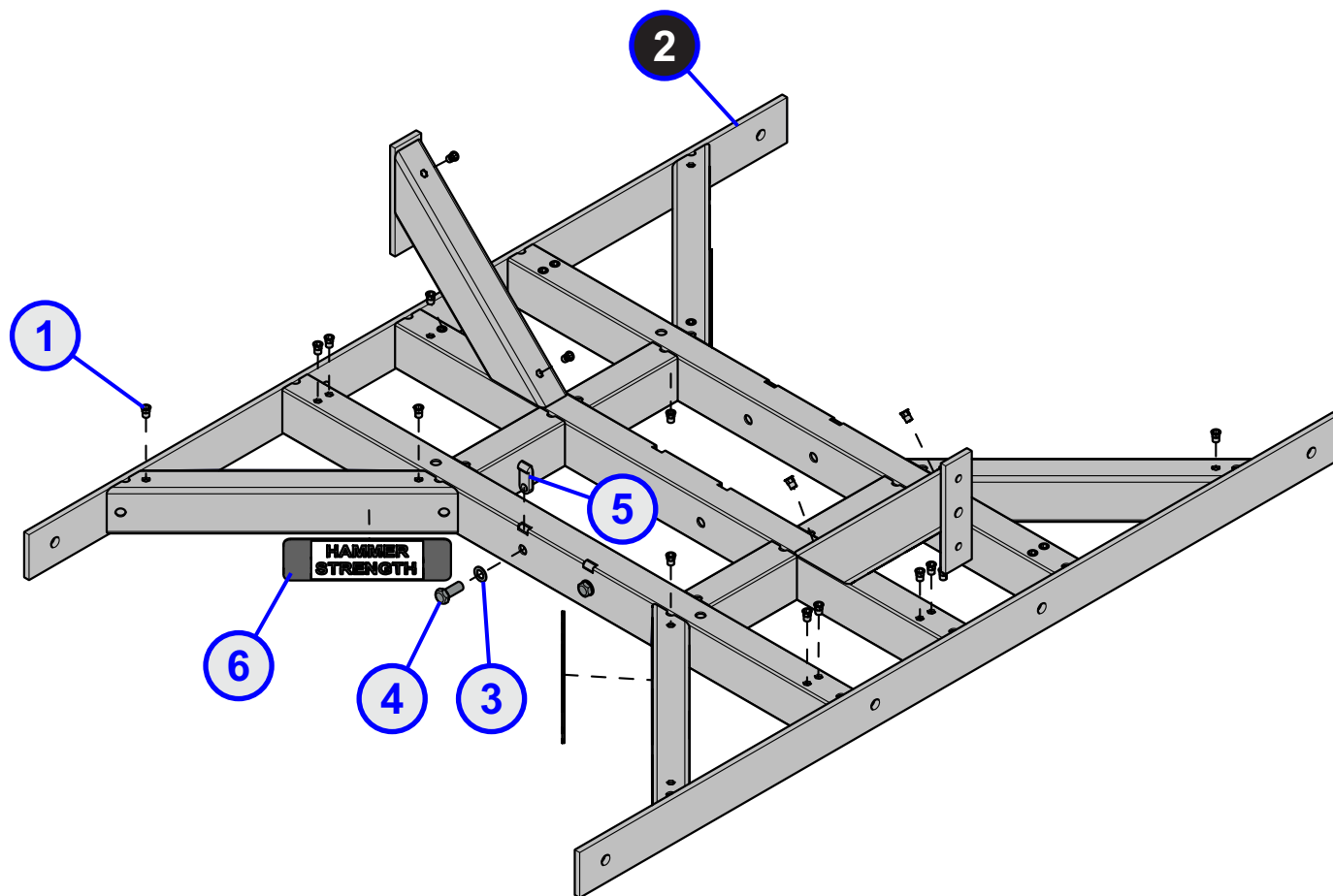
ITEM NO.	QTY.	PART NO.	DESCRIPTION
1	1	9117701	ASSY, HDE, BASE GUSSET, DOUBLE
2	16	3229901	NUT, AVK 1/4-20 HEX
3	4	H-NONSKID 3X9	PLASTIC NON SKID STRIP 3 X 9



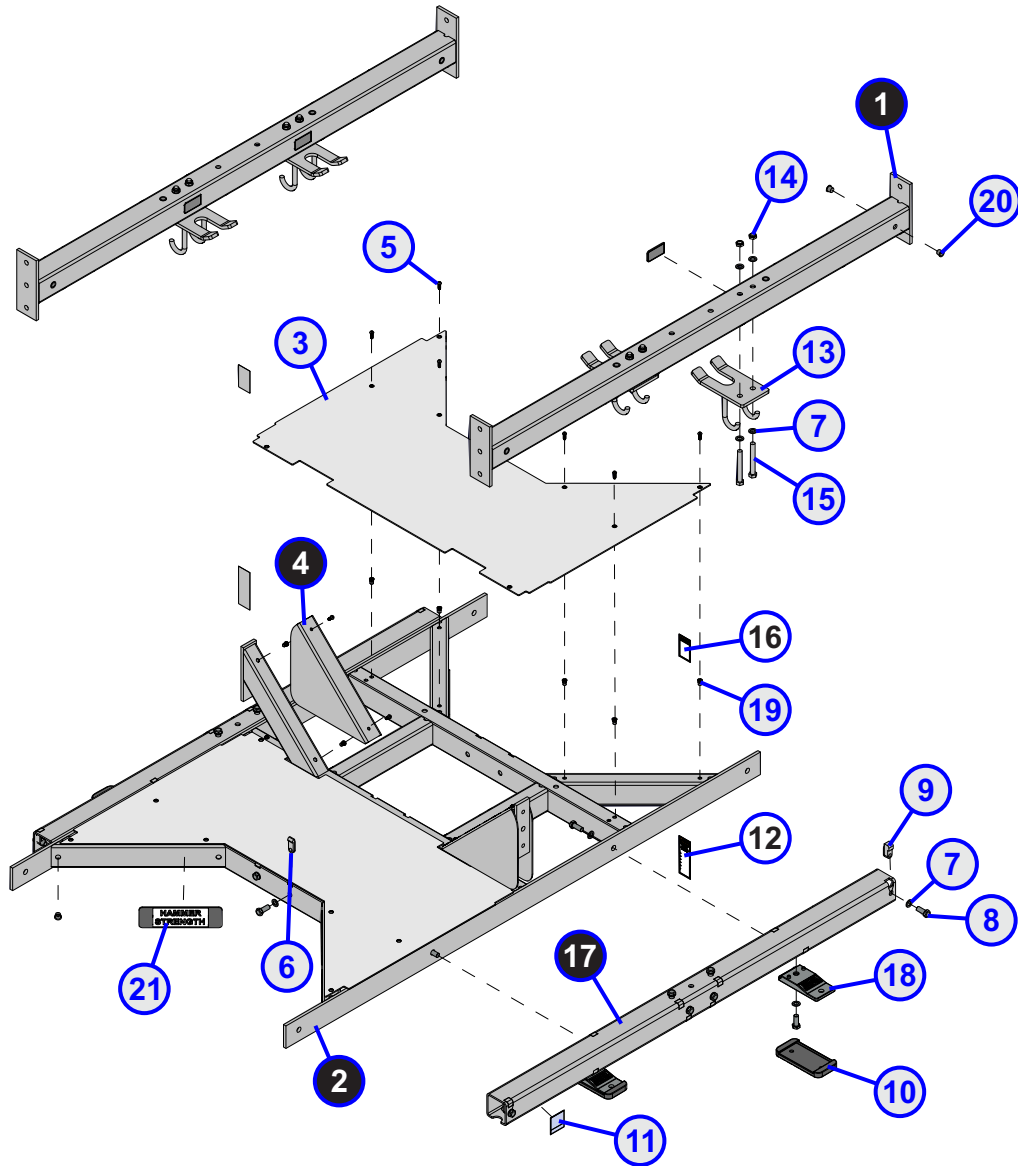
ITEM NO.	QTY.	PART NO.	DESCRIPTION
1	1	9117600	ASSY, HDE, BASE GUSSET, SINGLE
2	10	3229901	NUT, AVK 1/4-20 HEX
3	2	H-NONSKID 3X9	PLASTIC NON SKID STRIP 3 X 9



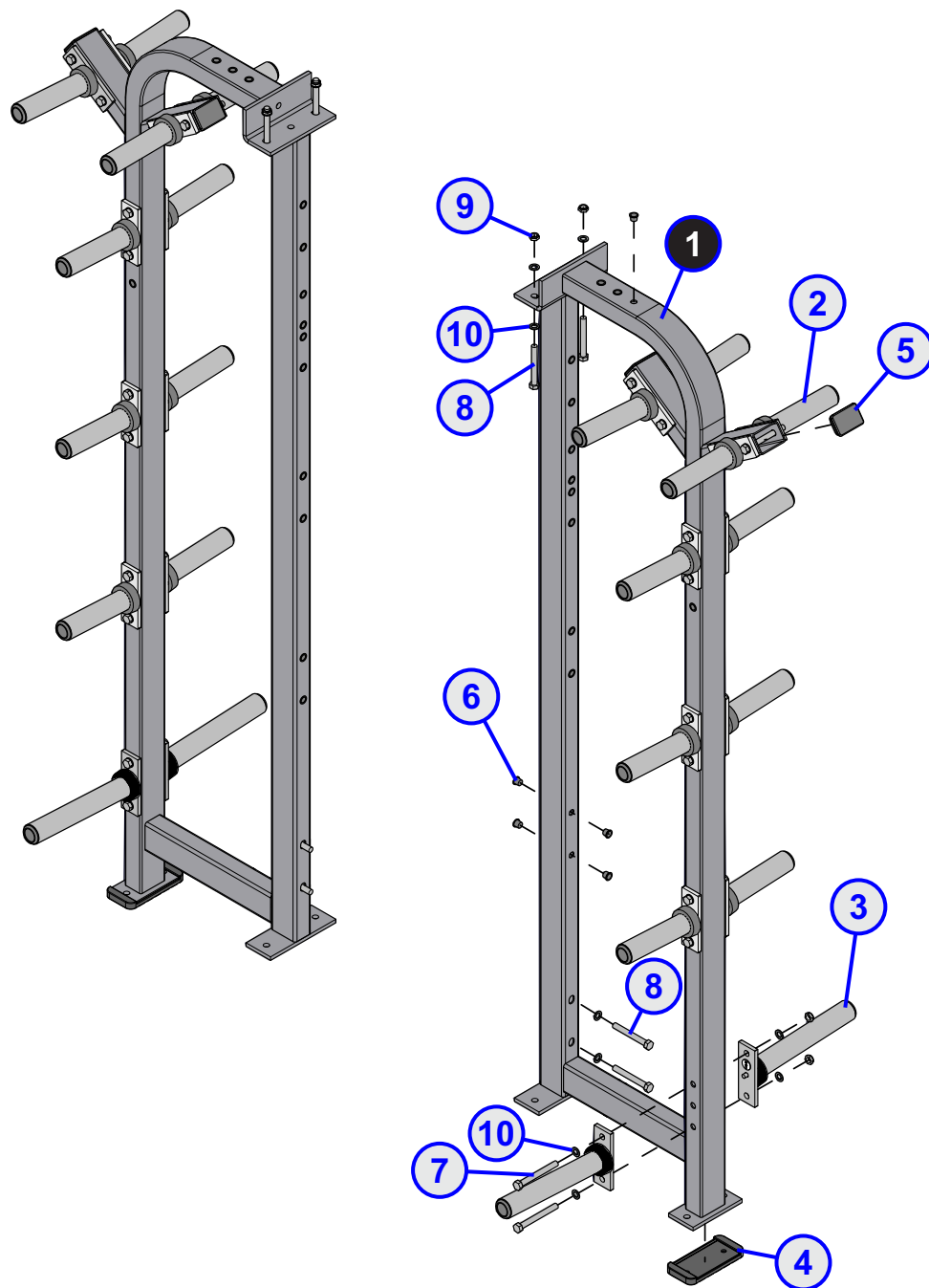
ITEM NO.	QTY.	PART NO.	DESCRIPTION
1	8	NUT.5JAMLOCK	1/2 THIN LOCK NUT
2	8	HHB.5X4	1/2 X 4 BOLT
3	12	3272705	SCREW, 1/4"-20 X 3/4", BHSCS
4	18	3272805	1/2 IN-13 X 1.25 IN UNC HHCS G5 ZN
5	2	MM-9	3 X 6 FLANGE RUBBER SLIPPER
6	18	9097301	NUT, RECT TUBING, 7GA, 3"
7	4	9112601	WLDMT, HDE, BAR-CHAIN, SML
8	1	9221300	ASSY, HDE, BASE GUSSET, MS
9	2	9137600	BRKT, HDE, BASE GUSSET COVER
10	2	9204202	PLATE, HDE DIAMOND
11	2	9209700	WLDMT, HDE, X-MEM, STGE, MS
12	16	H-HPLUG(REG)	H-PLUG 9-16
13	34	WASH.5STAR	1/2" INTERNAL LOCK WASHER
14	2	1000209-0001	TUBE, HDL, STOR, MS
15	2	9407393	FOOT, HDL
16	4	H-PLATE-G2	MEDIUM PLATE GUARD



ITEM NO.	QTY.	PART NO.	DESCRIPTION
1	24	3229901	NUT, AVK 1/4-20 HEX
2	1	9221300	ASSY, HDE, BASE GUSSET, MS
3	4	WASH.5STAR	1/2" INTERNAL LOCK WASHER
4	4	3272805	1/2 IN-13 X 1.25 IN UNC HHCS G5 ZN
5	4	9311803	NUT, RECT TUBING, 11GA, 3"
6	4	H-NONSKID 3X9	PLASTIC NON SKID STRIP 3 X 9

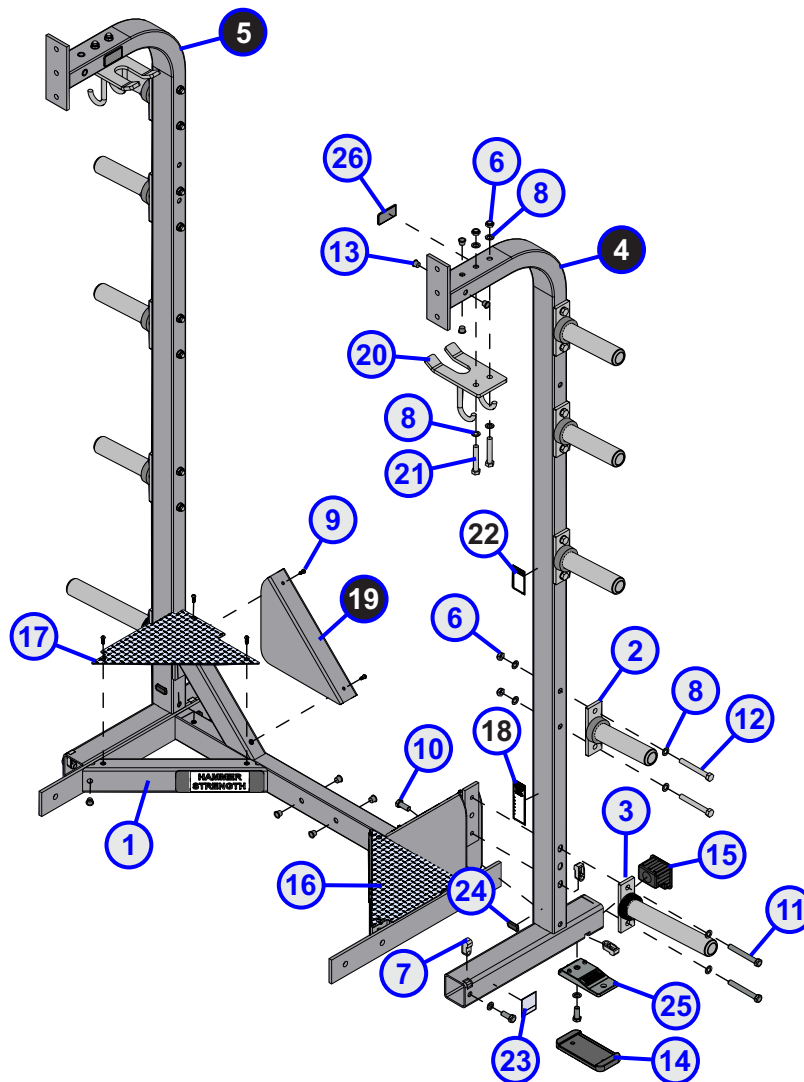


ITEM NO.	QTY.	PART NO.	DESCRIPTION
1	2	1007066-0000	WLDMT: UPPER, HDLSTOR-LS
2	1	1007071-0000	WLDMT: BASE, HDLSTOR-LS
3	2	1007072-0000	PLATE: DIAMOND, HDLSTOR-LS
4	2	9137600	BRKT, HDE, BASE GUSSET COVER
5	20	3272705	SCREW, 1/4"-20 X 3/4", BHSCS
6	4	9311803	NUT, RECT TUBING, 11GA, 3"
7	40	WASH.5STAR	1/2" INTERNAL LOCK WASHER
8	24	3272805	1/2 IN-13 X 1.25 IN UNC HHCS G5 ZN
9	20	9097301	NUT, RECT TUBING, 7GA, 3"
10	4	MM-9	3 X 6 FLANGE RUBBER SLIPPER
11	1	7671301	LABEL, SERIAL NUMBER, BLANK
12	2	89265XX	LABEL, ASTM, OLY VERT
13	4	9112601	WLDMT, HDE, BAR-CHAIN, SML
14	8	NUT.5JAMLOCK	1/2 THIN LOCK NUT
15	8	HHB.5X4	1/2 X 4 BOLT
16	2	91411XX	LABEL, WARN, STRAP TRAIN
17	2	1007076-0000	TUBE: LOWER, HDLSTOR-LS
18	4	9407393	FOOT, HDL - HWG
19	20	3229901	NUT, AVK 1/4-20 HEX
20	20	H-HPLUG(REG)	9/16 IN. HOLE PLUG
21	4	H-NONSKID 3X9	PLASTIC NON SKID STRIP 3 X 9
22	4	H-PLATE-G2	MEDIUM PLATE GUARD

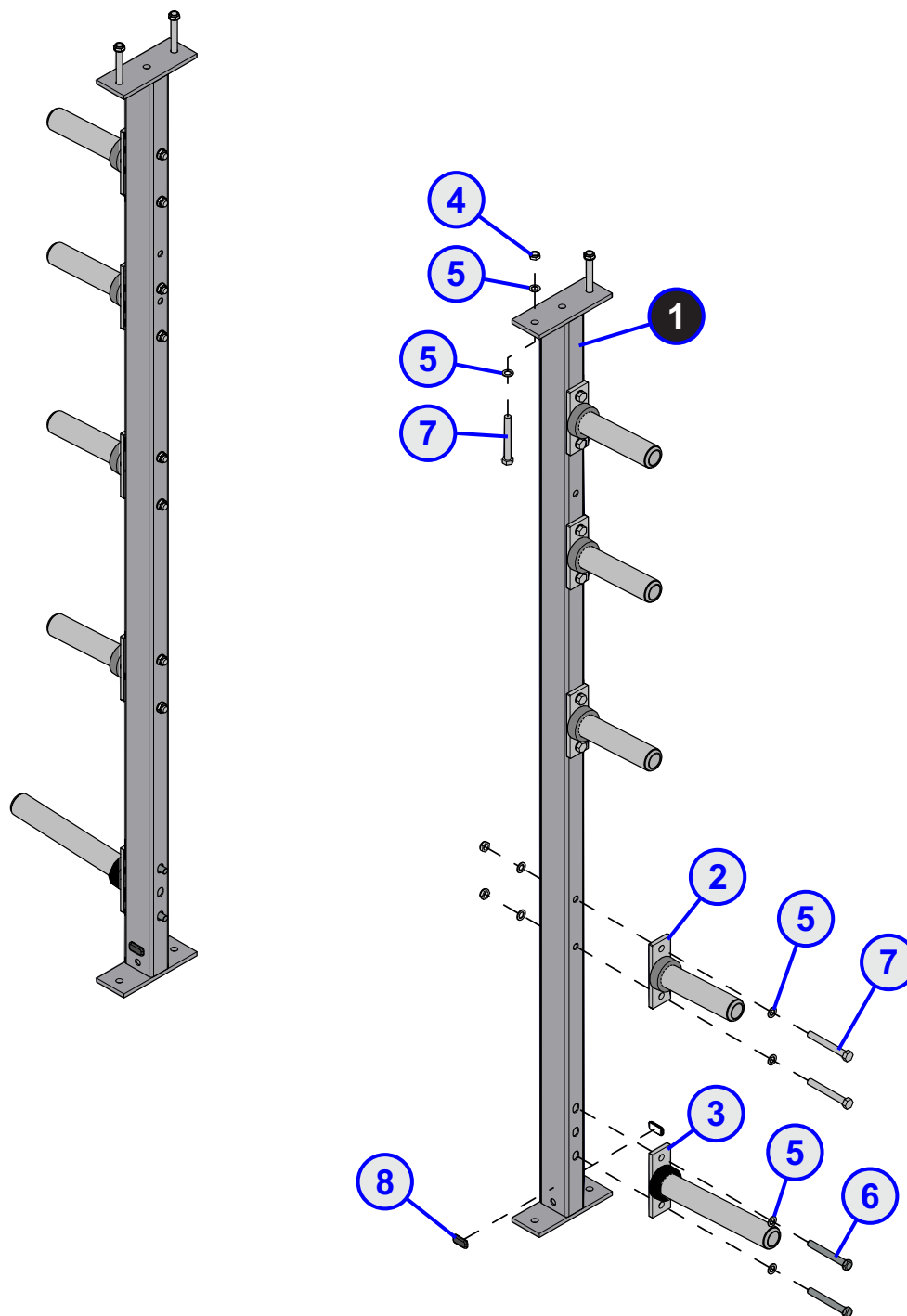


ITEM NO.	QTY.	PART NO.	DESCRIPTION
1	2	1007025-0000	WLDMT: HDLSTOR-90
2	20	1002178-0001	ASSY, WEIGHT HORN
3	4	9187801	ASSY, WEIGHT HORN, 12"
4	2	MM-9	3 X 6 FLANGE RUBBER SLIPPER
5	4	7352301	CAP, END 2 X 3
6	56	H-HPLUG(REG)	9/16 IN. HOLE PLUG
7	24	HHB.5X4.5	1/2 X 4 1/2 BOLT
8	8	HHB.5X4	1/2 X 4 BOLT
9	28	NUT.5JAMLOCK	1/2 THIN LOCK NUT
10	60	WASH.5STAR	1/2" INTERNAL LOCK WASHER

HDLPR
HDLHR
HDLMR



ITEM NO.	QTY.	PART NO.	DESCRIPTION
1	1	9117600	ASSY, HDL, BASE GUSSET, SINGLE
2	8	1002178-0001	ASSY, WEIGHT HORN
3	2	9187801	ASSY, WEIGHT HORN, 12"
4	1	1000205-0000	WLDMT, HDL, STORAGE, SA, LT
5	1	1000206-0000	WLDMT, HDL, STORAGE, SA, RT
6	20	NUT.5JAMLOCK	1/2 THIN LOCK NUT
7	6	9097301	NUT, RECT TUBING, 7GA, 3"
8	50	WASH.5STAR	1/2" INTERNAL LOCK WASHER
9	10	3272705	SCREW, 1/4"-20 X 3/4", BHSCS
10	6	3272805	1/2 IN-13 X 1.25 IN UNC HHCS G5 ZN
11	4	3272816	1/2 IN-13 X 4.00 IN UNC HHCS G5 ZN
12	16	HHB.5X4	1/2 X 4 BOLT
13	14	H-HPLUG(REG)	H-PLUG 9-16
14	2	MM-9	3 X 6 FLANGE RUBBER SLIPPER
15	2	9212801	CAP, 3X3 SQ END
16	1	9043402	PLATE, HDE DIAMOND
17	1	9043502	PLATE, HDE DIAMOND
18	1	89265XX	LABEL, ASTM, OLY VERT
19	2	9137600	BRKT, HDE, BASE GUSSET COVER
20	2	9112601	WLDMT, HDE, BAR-CHAIN, SML
21	4	HHB.5X3	1/2 X 3 BOLT
22	1	91411XX	LABEL, WARN, STRAP TRAIN
23	1	7571301	LABEL, SERIAL NUMBER, BLANK
24	2	7570801	GUARD, PAINT 1.25"x.75"x.25"
25	2	9407393	FOOT, HDL - HWG
26	2	H-PLATE-G1	SMALL PLATE GUARD

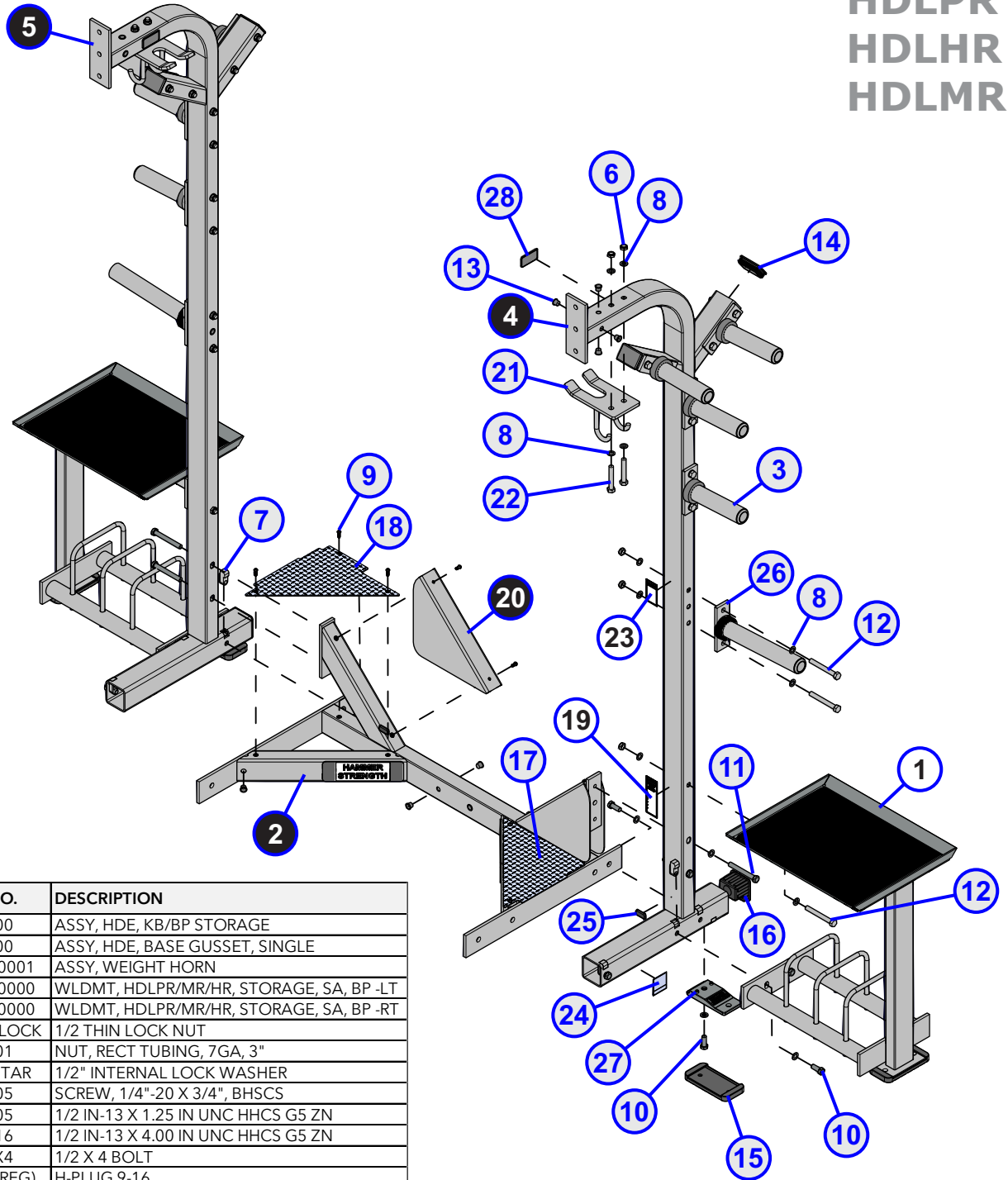


ITEM NO.	QTY.	PART NO.	DESCRIPTION
1	2	9210700	WLDMT, HDE, STORAGE, COMBO
2	8	1002178-0001	ASSY, WEIGHT HORN
3	2	9187801	ASSY, WEIGHT HORN, 12"
4	20	NUT.5JAMLOCK	1/2 THIN LOCK NUT
5	44	WASH.5STAR	1/2" INTERNAL LOCK WASHER
6	4	3272816	1/2 IN-13 X 4.00 IN UNC HHCS G5 ZN
7	20	HHB.5X4	1/2 X 4 BOLT
8	4	7570801	GUARD, PAINT 1.25"x.75"x.25"

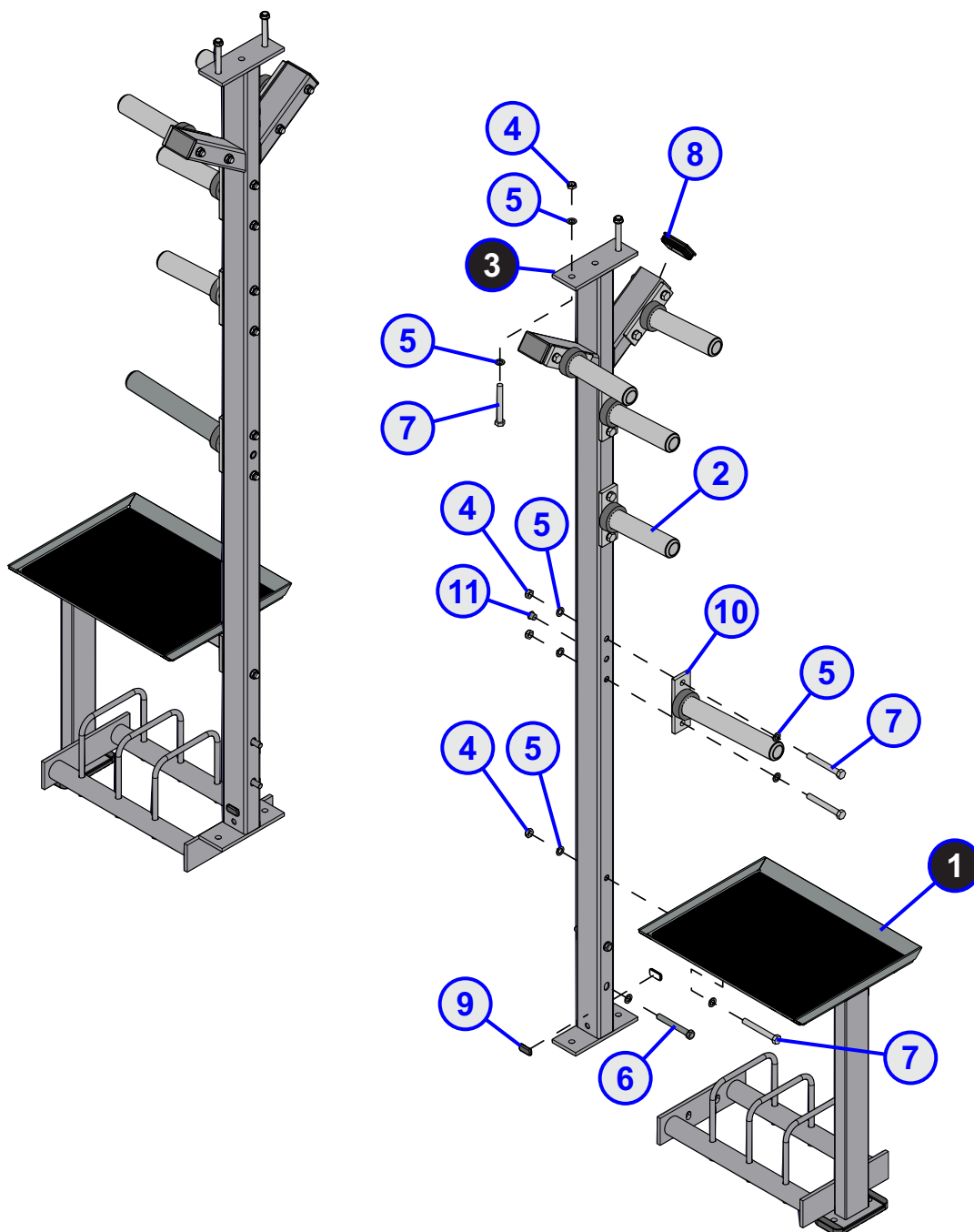
HD ELITE

PR/MR/HR SA KB/BP

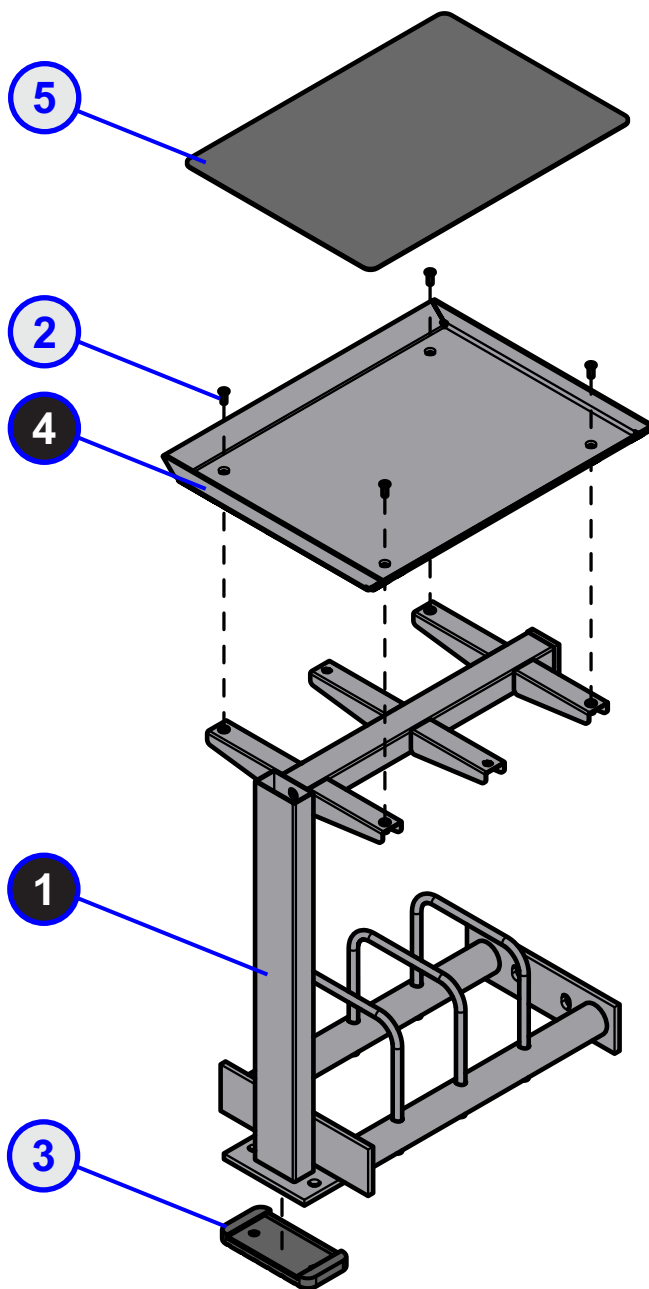
HDLPR
HDLHR
HDLMR



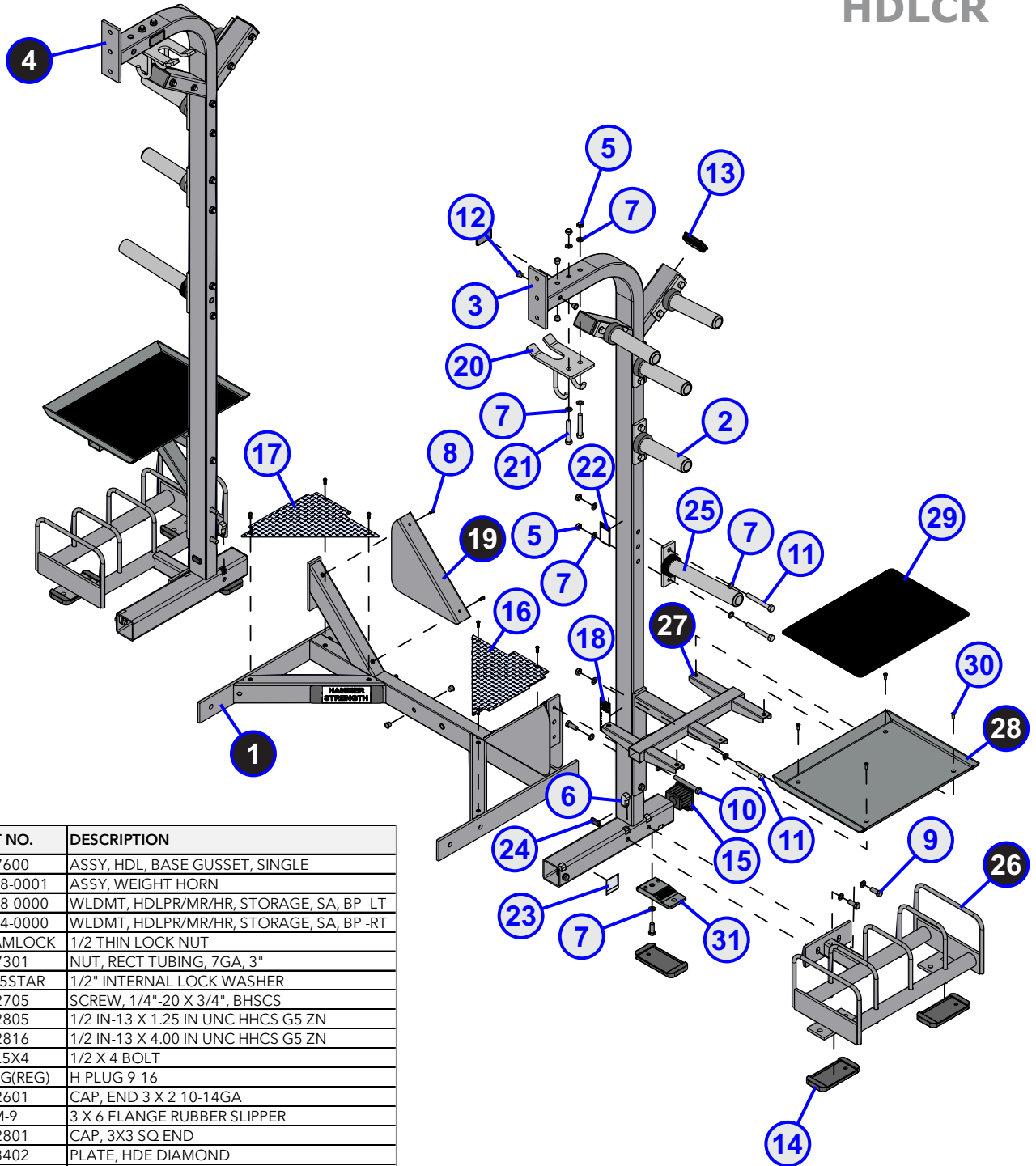
ITEM NO.	QTY.	PART NO.	DESCRIPTION
1	2	9047800	ASSY, HDE, KB/BP STORAGE
2	1	9117600	ASSY, HDE, BASE GUSSET, SINGLE
3	8	1002178-0001	ASSY, WEIGHT HORN
4	1	1000198-0000	WLDMT, HDLPR/MR/HR, STORAGE, SA, BP -LT
5	1	1000204-0000	WLDMT, HDLPR/MR/HR, STORAGE, SA, BP -RT
6	26	NUT.5JAMLOCK	1/2 THIN LOCK NUT
7	10	9097301	NUT, RECT TUBING, 7GA, 3"
8	66	WASH.5STAR	1/2" INTERNAL LOCK WASHER
9	10	3272705	SCREW, 1/4"-20 X 3/4", BHSCS
10	10	3272805	1/2 IN-13 X 1.25 IN UNC HHCS G5 ZN
11	4	3272816	1/2 IN-13 X 4.00 IN UNC HHCS G5 ZN
12	22	HHB.5X4	1/2 X 4 BOLT
13	16	H-HPLUG(REG)	H-PLUG 9-16
14	4	6692601	CAP, END 3 X 2 10-14GA
15	2	MM-9	3 X 6 FLANGE RUBBER SLIPPER
16	2	9212801	CAP, 3X3 SQ END
17	1	9043402	PLATE, HDE DIAMOND
18	1	9043502	PLATE, HDE DIAMOND
19	1	89265XX	LABEL, ASTM, OLY VERT
20	2	9137600	BRKT, HDE, BASE GUSSET COVER
21	2	9112601	WLDMT, HDE, BAR-CHAIN, SML
22	4	HHB.5X3	1/2 X 3 BOLT
23	1	91411XX	LABEL, WARN, STRAP TRAIN
24	1	7571301	LABEL, SERIAL NUMBER, BLANK
25	2	7570801	GUARD, PAINT 1.25"x.75"x.25"
26	2	9187801	ASSY, WEIGHT HORN, 12"
27	2	9407393	FOOT, HDL - HWG
28	2	H-PLATE-G1	SMALL PLATE GUARD



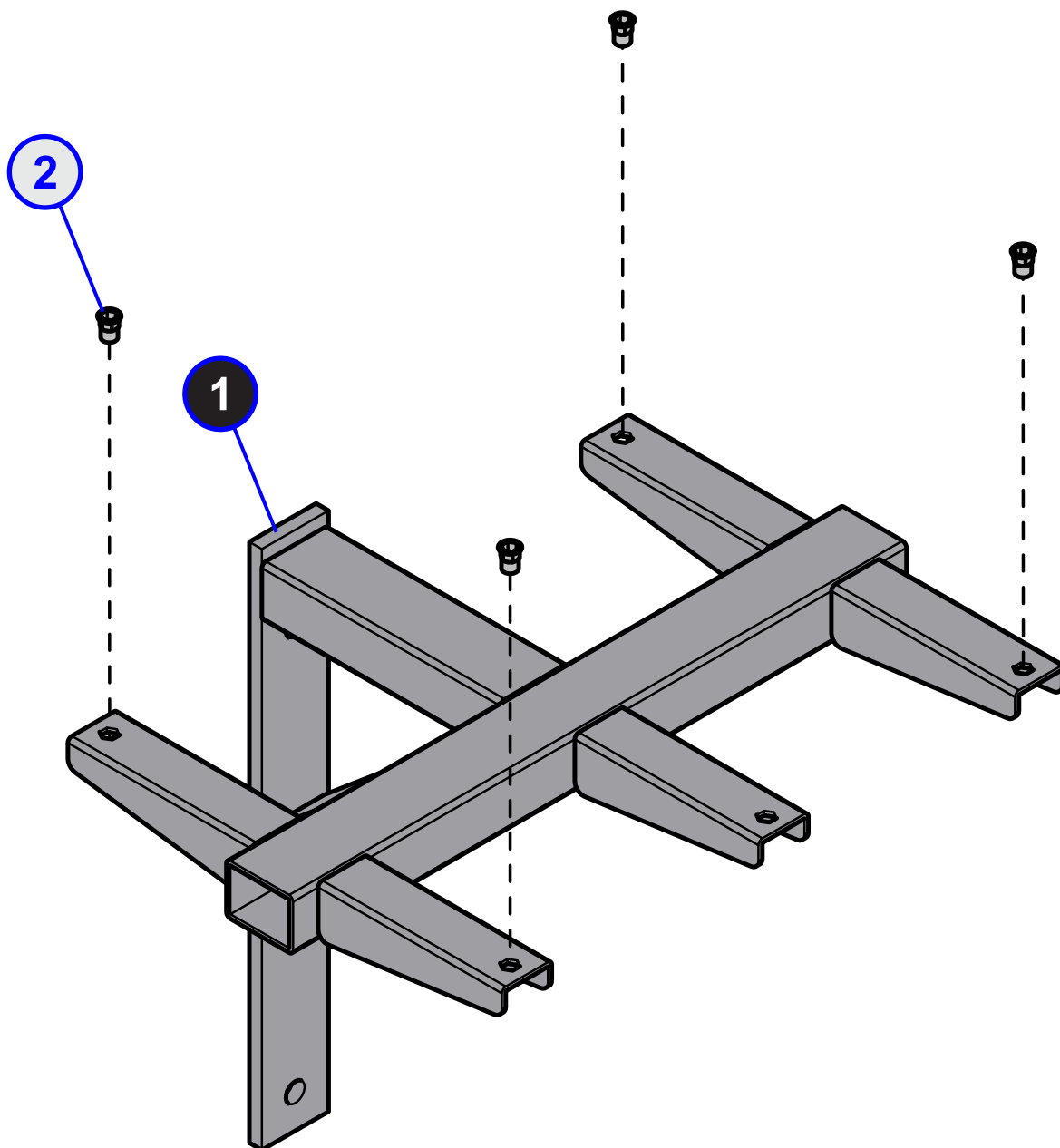
ITEM NO.	QTY.	PART NO.	DESCRIPTION
1	2	9047800	ASSY, HDE, KB/BP STORAGE
2	8	1002178-0001	ASSY, WEIGHT HORN
3	2	9051500	WLDMT, HDE, STORAGE, COMBO, BP
4	26	NUT.5JAMLOCK	1/2 THIN LOCK NUT
5	56	WASH.5STAR	1/2" INTERNAL LOCK WASHER
6	4	3272816	1/2 IN-13 X 4.00 IN UNC HHCS G5 ZN
7	26	HHB.5X4	1/2 X 4 BOLT
8	4	6692601	CAP, END 3 X 2 10-14GA
9	4	7570801	GUARD, PAINT 1.25"x.75"x.25"
10	2	9187801	ASSY, WEIGHT HORN, 12"
11	2	H-HPLUG(REG)	H-PLUG 9-16



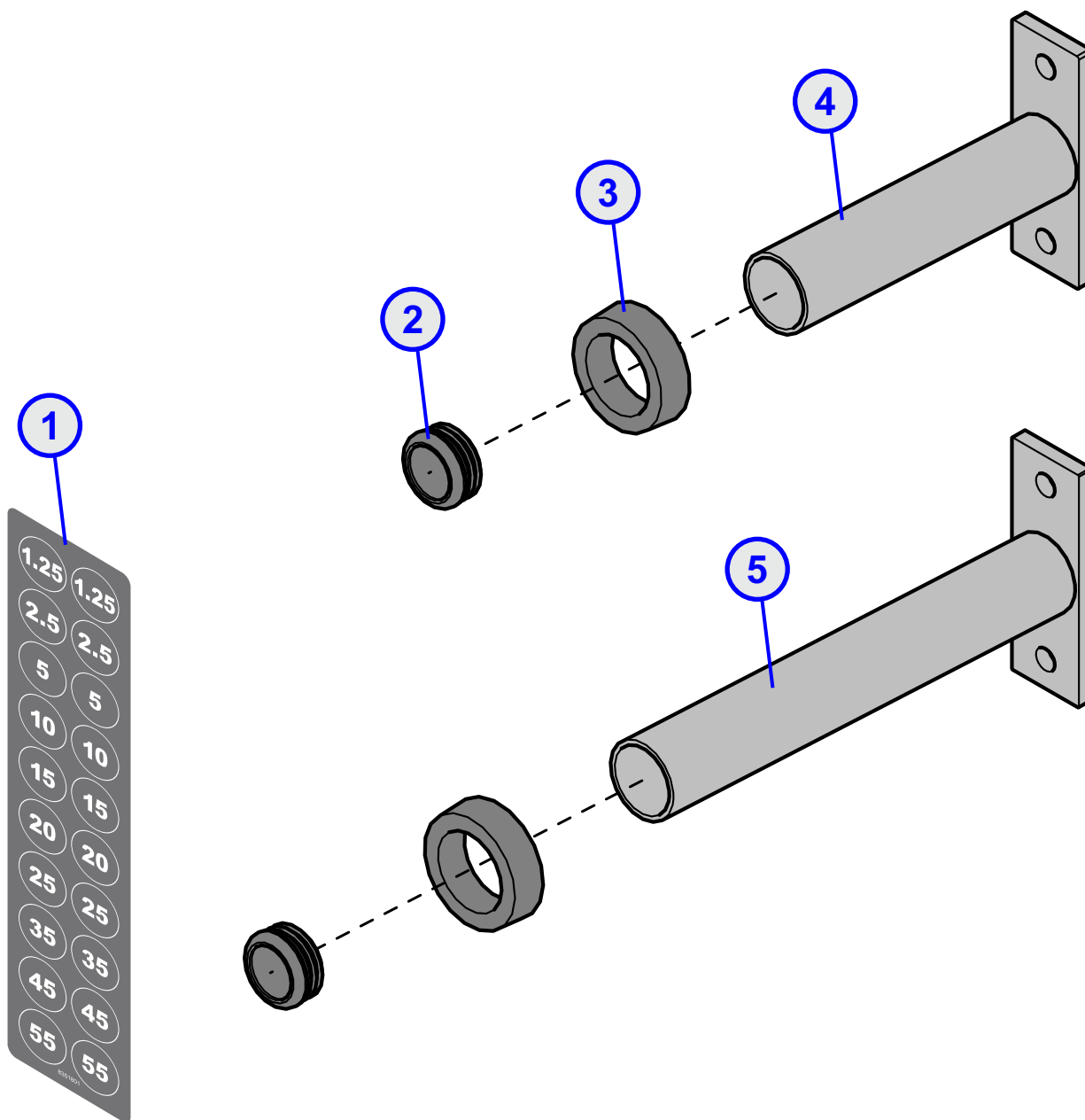
ITEM NO.	QTY.	PART NO.	DESCRIPTION
1	1	9124400	ASSY, HDE, KB/BP STORAGE, SUB 1
2	4	3272204	SCREW, 1/4"-20, FHSCS
3	1	MM-9	3 X 6 FLANGE RUBBER SLIPPER
4	1	9022300	TRAY, HDE, KB/BP STGE
5	1	9022701	RUBBER, HDE, KB/BP TRAY



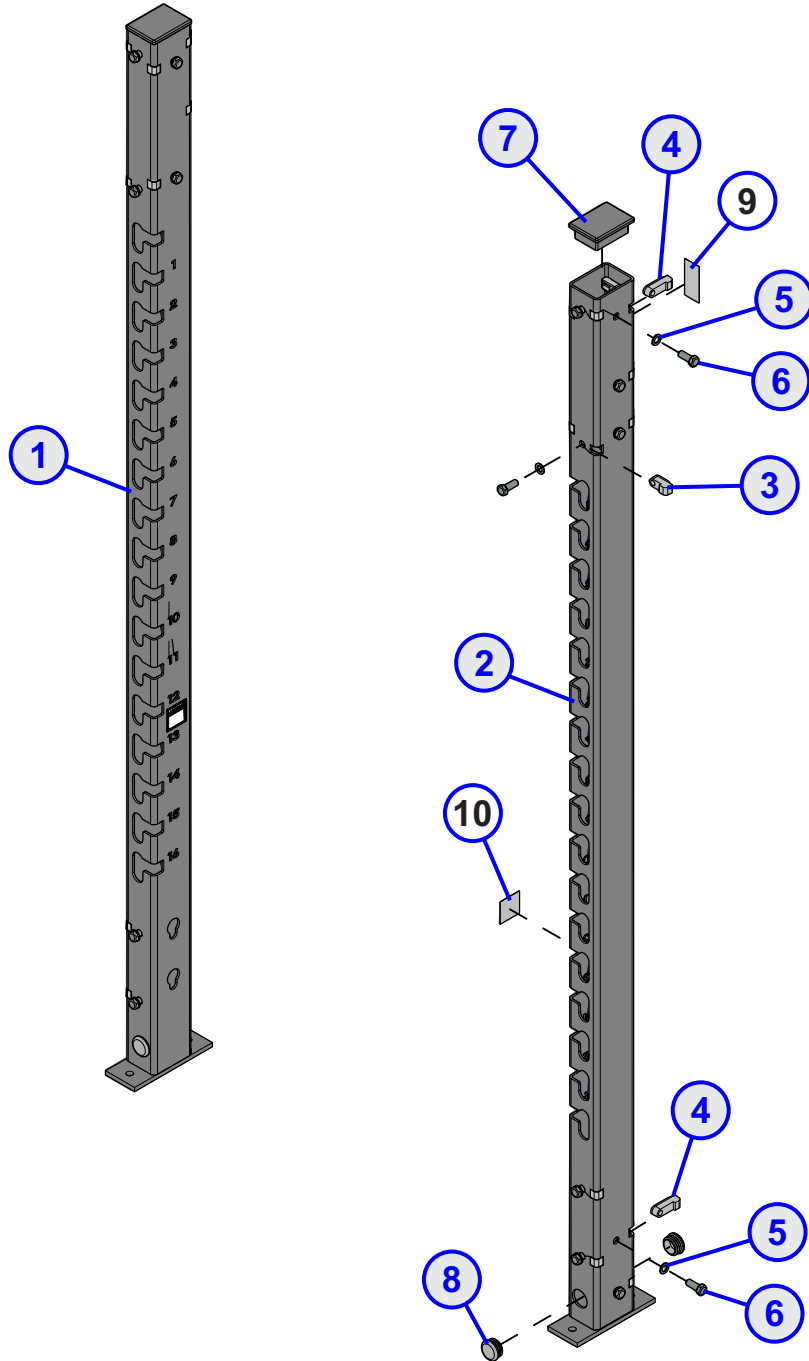
ITEM NO.	QTY.	PART NO.	DESCRIPTION
1	1	9117600	ASSY, HDL, BASE GUSSET, SINGLE
2	8	1002178-0001	ASSY, WEIGHT HORN
3	1	1000198-0000	WLDMT, HDLPR/MR/HR, STORAGE, SA, BP -LT
4	1	1000204-0000	WLDMT, HDLPR/MR/HR, STORAGE, SA, BP -RT
5	26	NUT.5JAMLOCK	1/2 THIN LOCK NUT
6	10	9097301	NUT, RECT TUBING, 7GA, 3"
7	66	WASH.5STAR	1/2" INTERNAL LOCK WASHER
8	10	3272705	SCREW, 1/4"-20 X 3/4", BHSCS
9	10	3272805	1/2 IN-13 X 1.25 IN UNC HHCS G5 ZN
10	4	3272816	1/2 IN-13 X 4.00 IN UNC HHCS G5 ZN
11	22	HHB.5X4	1/2 X 4 BOLT
12	16	H-HPLUG(REG)	H-PLUG 9-16
13	4	6692601	CAP, END 3 X 2 10-14GA
14	6	MM-9	3 X 6 FLANGE RUBBER SLIPPER
15	2	9212801	CAP, 3X3 SQ END
16	1	9043402	PLATE, HDE DIAMOND
17	1	9043502	PLATE, HDE DIAMOND
18	1	89265XX	LABEL, ASTM, OLY VERT
19	2	9137600	BRKT, HDE, BASE GUSSET COVER
20	2	9112601	WLDMT, HDE, BAR-CHAIN, SML
21	4	HHB.5X3	1/2 X 3 BOLT
22	1	91411XX	LABEL, WARN, STRAP TRAIN
23	1	7571301	LABEL, SERIAL NUMBER, BLANK
24	2	7570801	GUARD, PAINT 1.25"x.75"x.25"
25	2	9187801	ASSY, WEIGHT HORN, 12"
26	2	9300600	WLDMT, HDL BP STORAGE SHORT
27	2	9309201	ASSY, KB/BP TRAY, PARALLEL
28	2	9022300	TRAY, HDE, KB/BP STORAGE
29	2	9022701	RUBBER, HDE, KB/BP TRAY
30	8	3272204	SCREW, 1/4"-20, FHSCS
31	2	9407393	FOOT, HDL - HWG
32	2	H-PLATE-G1	SMALL PLATE GUARD



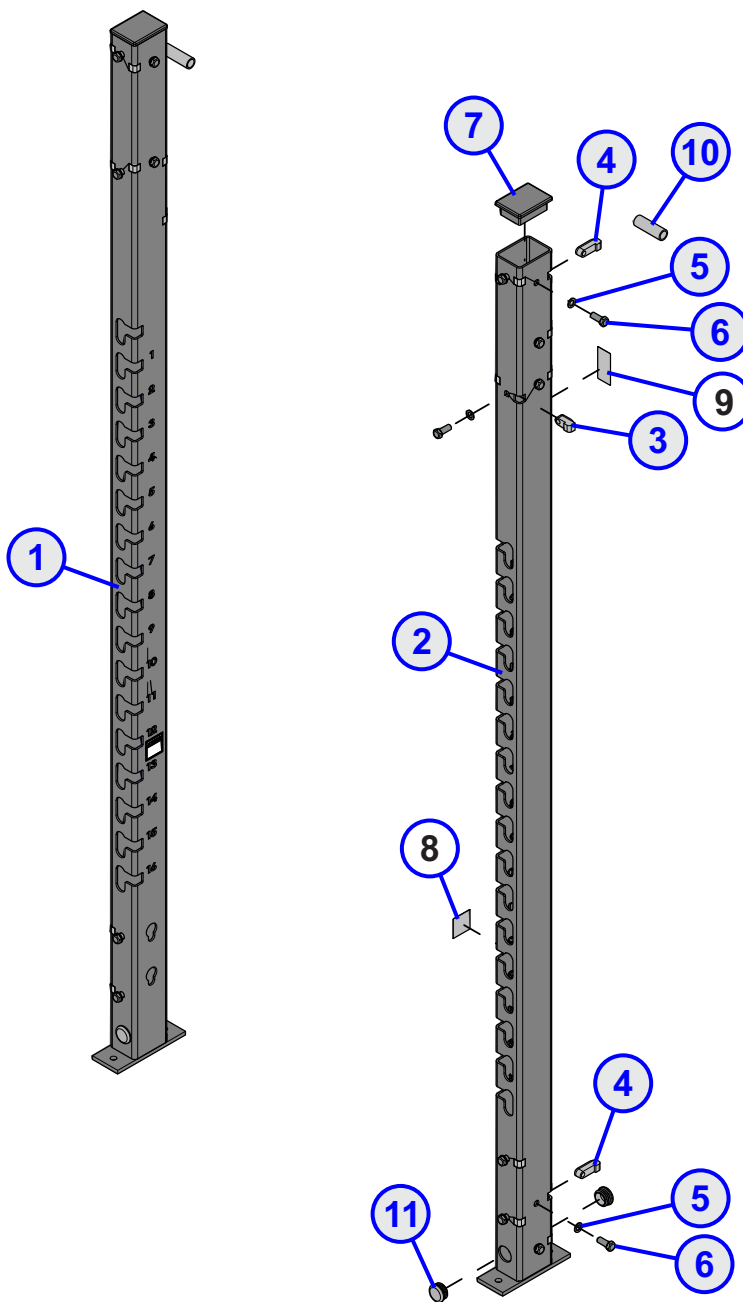
ITEM NO.	QTY.	PART NO.	DESCRIPTION
1	1	9309201	ASSY, KB/BP TRAY, PARALLEL
2	4	3229901	NUT, AVK 1/4-20 HEX



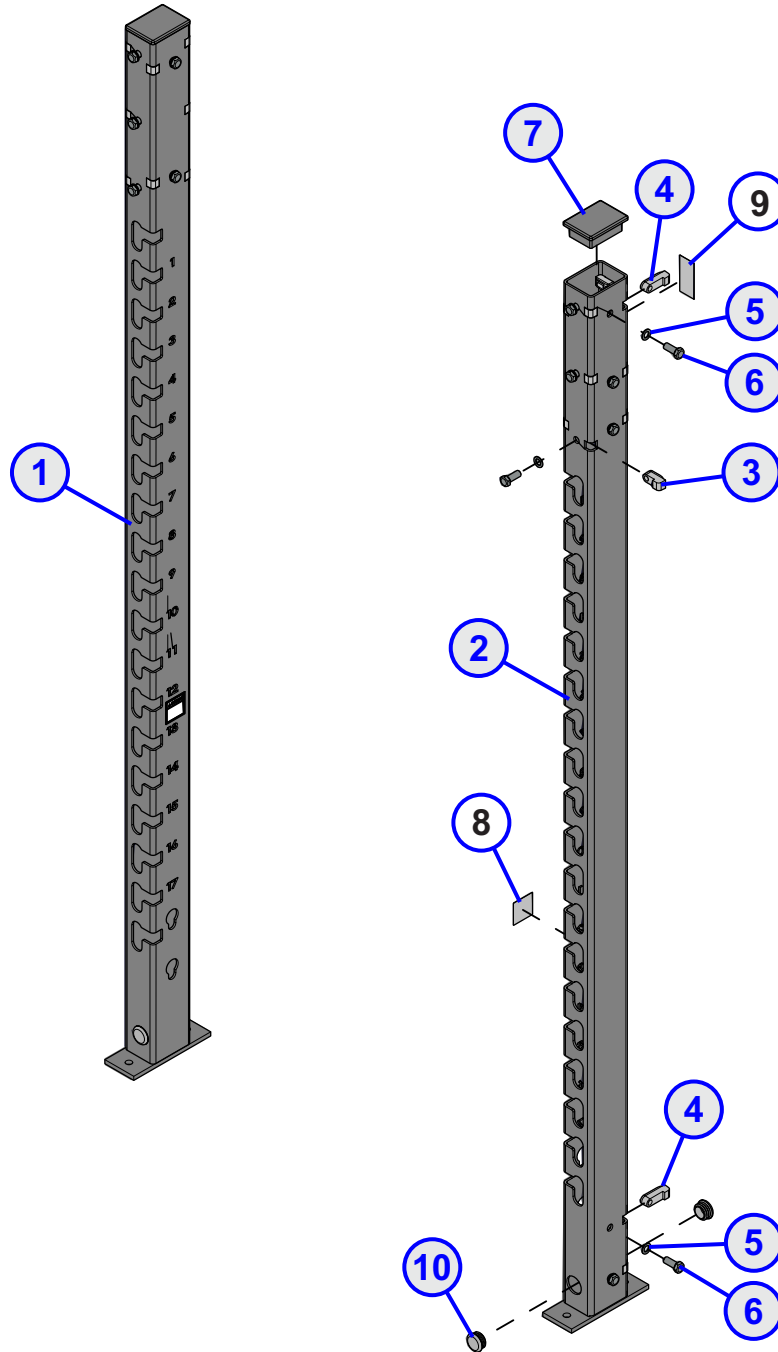
ITEM NO.	QTY.	PART NO.	DESCRIPTION
1	1	8351801	LABEL, WEIGHT HORN, SHEET
2	1	8078001	CAP, END, 1.75OD, W/EMBOSS, 10-0125-011, BNR
3	1	7671601	BUMPER, WEIGHT HORN/ROD
4	1	1002178-0001	ASSY, WEIGHT HORN
5	1	9187801	ASSY, WEIGHT HORN, 12"



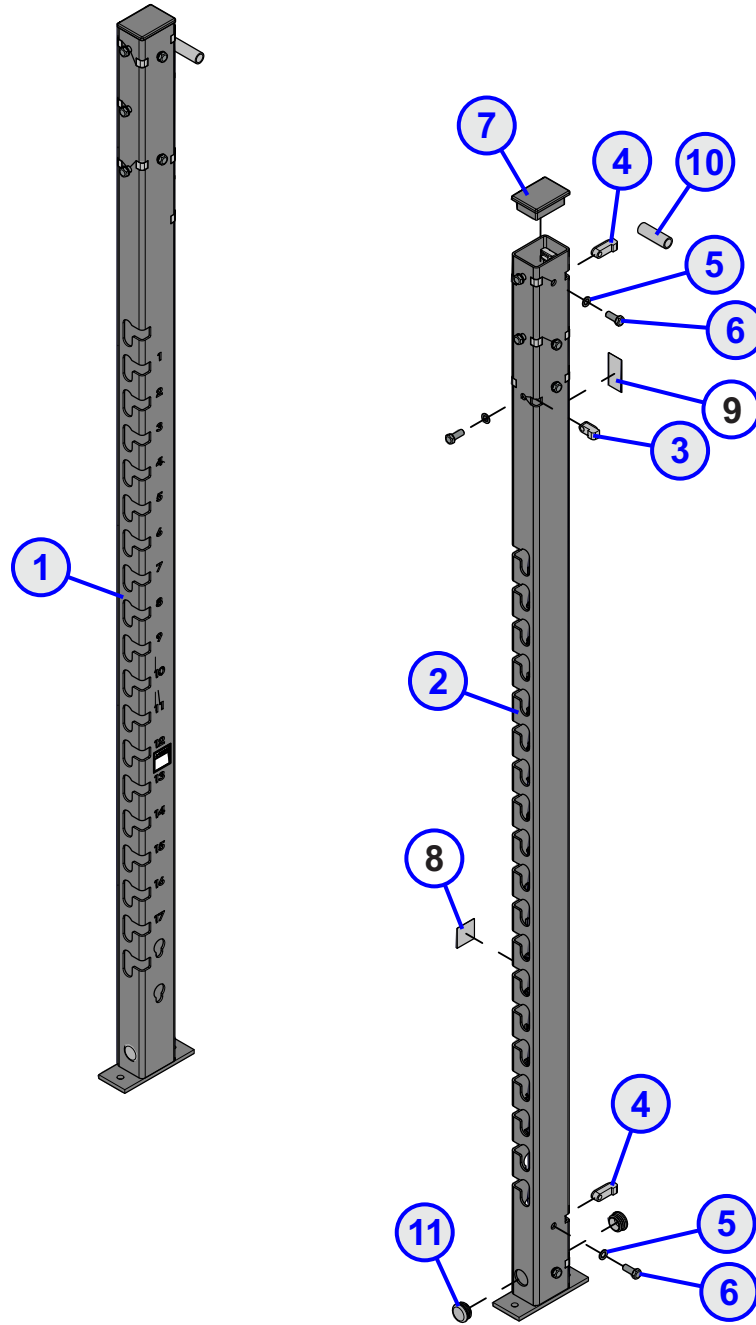
ITEM NO.	QTY.	PART NO.	DESCRIPTION
1	1	9208793	WLDMT, HDEMHR/HR, UPRIGHT, 8FT
2	1	9208893	WLDMT, HDEMHR/HR, UPRIGHT, 8FT
3	12	9097301	NUT, RECT TUBING, 7GA, 3"
4	14	9097302	NUT, RECT TUBING, 7GA, 4"
5	26	WASH.5STAR	1/2" INTERNAL LOCK WASHER
6	26	3272805	1/2 IN-13 X 1.25 IN UNC HHCS G5 ZN
7	2	9043101	CAP, END 3 X 4
8	4	3119307	CAP, END ROUND
9	2	91332XX	LABEL, ASSEMBLY WARNING, VERT
10	2	91314XX	LABEL, HDE, SQUAT



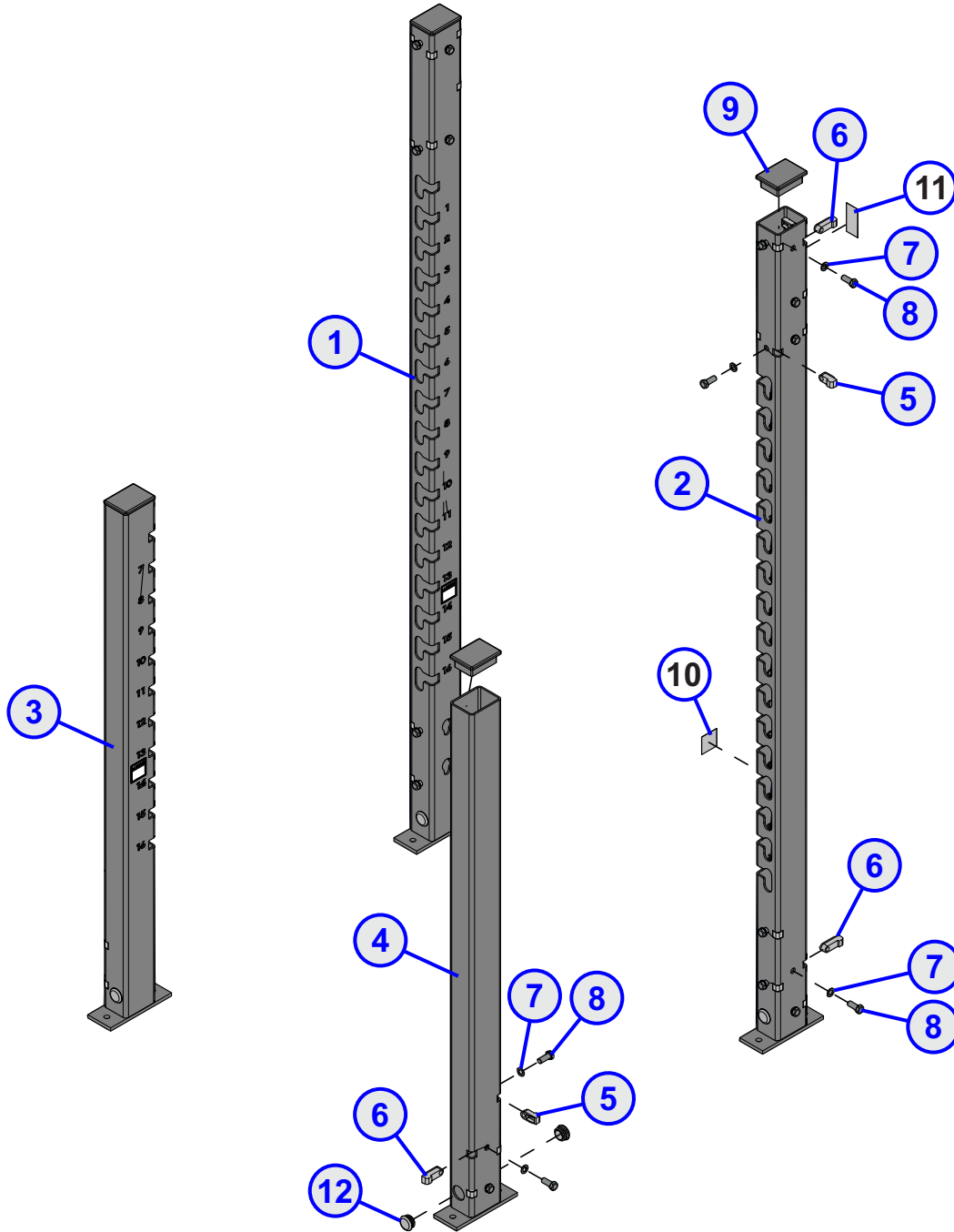
ITEM NO.	QTY.	PART NO.	DESCRIPTION
1	1	9209093	WLDMT, HDEMHR/HR, UPRIGHT, 9FT
2	1	9209193	WLDMT, HDEMHR/HR, UPRIGHT, 9FT
3	12	9097301	NUT, RECT TUBING, 7GA, 3"
4	14	9097302	NUT, RECT TUBING, 7GA, 4"
5	26	WASH.5STAR	1/2" INTERNAL LOCK WASHER
6	26	3272805	1/2 IN-13 X 1.25 IN UNC HHCS G5 ZN
7	2	9043101	CAP, END 3 X 4
8	2	91314XX	LABEL, HDE, SQUAT
9	2	91332XX	LABEL, ASSEMBLY WARNING, VERT
10	2	9124100	TUBE, HDEHR/MR, SPACER, 9' RACK
11	4	3119307	CAP, END ROUND



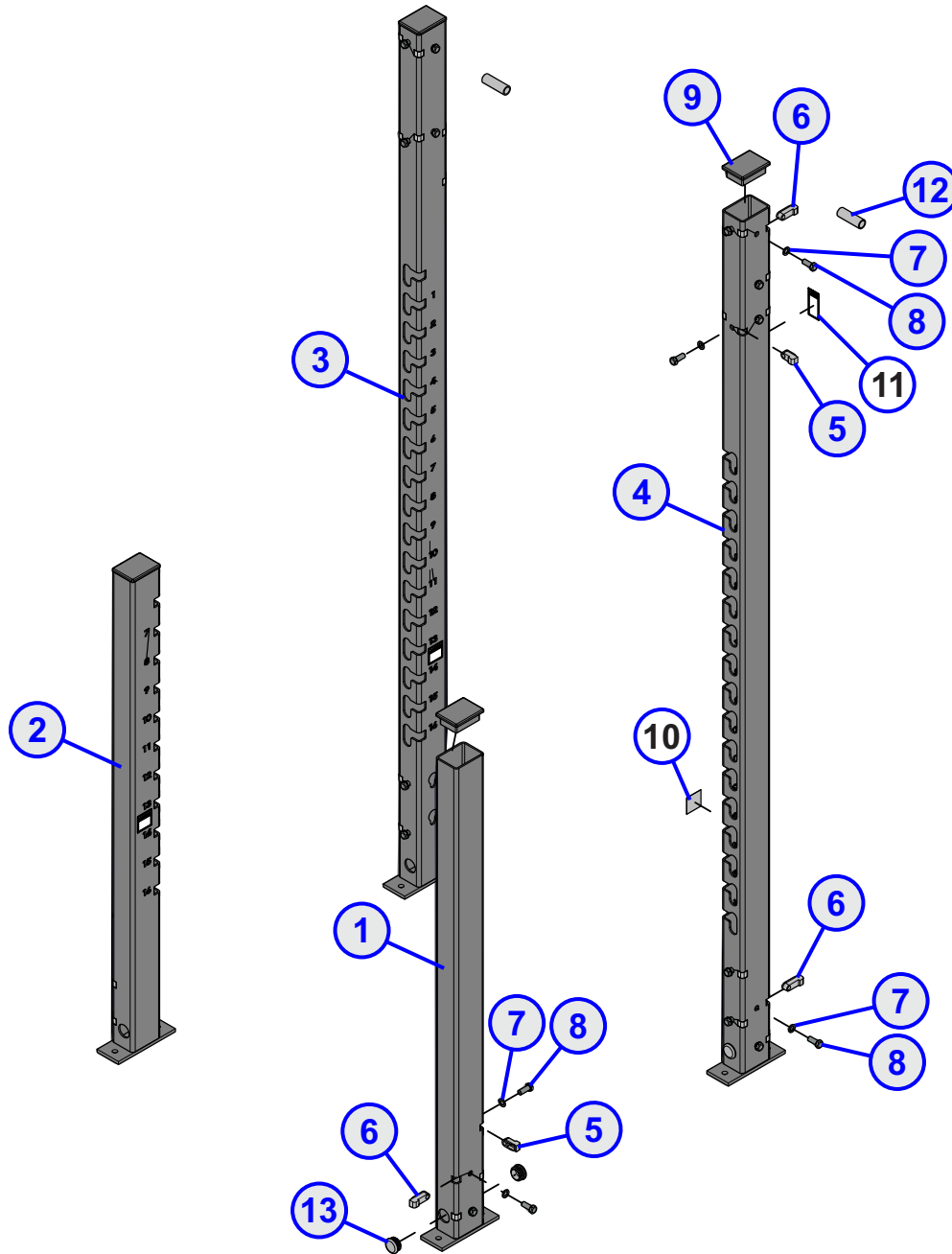
ITEM NO.	QTY.	PART NO.	DESCRIPTION
1	1	9207693	WLDMT, HDEPR/HRS, UPRIGHT, 8FT
2	1	9207793	WLDMT, HDEPR/HRS, UPRIGHT, 8FT
3	12	9097301	NUT, RECT TUBING, 7GA, 3"
4	14	9097302	NUT, RECT TUBING, 7GA, 4"
5	26	WASH.5STAR	1/2" INTERNAL LOCK WASHER
6	26	3272805	1/2 IN-13 X 1.25 IN UNC HHCS G5 ZN
7	2	9043101	CAP, END 3 X 4
8	2	91314XX	LABEL, HDE, SQUAT
9	2	91332XX	LABEL, ASSEMBLY WARNING, VERT
10	4	3119305	CAP, END 2.00 DIA RD 10-14 GA



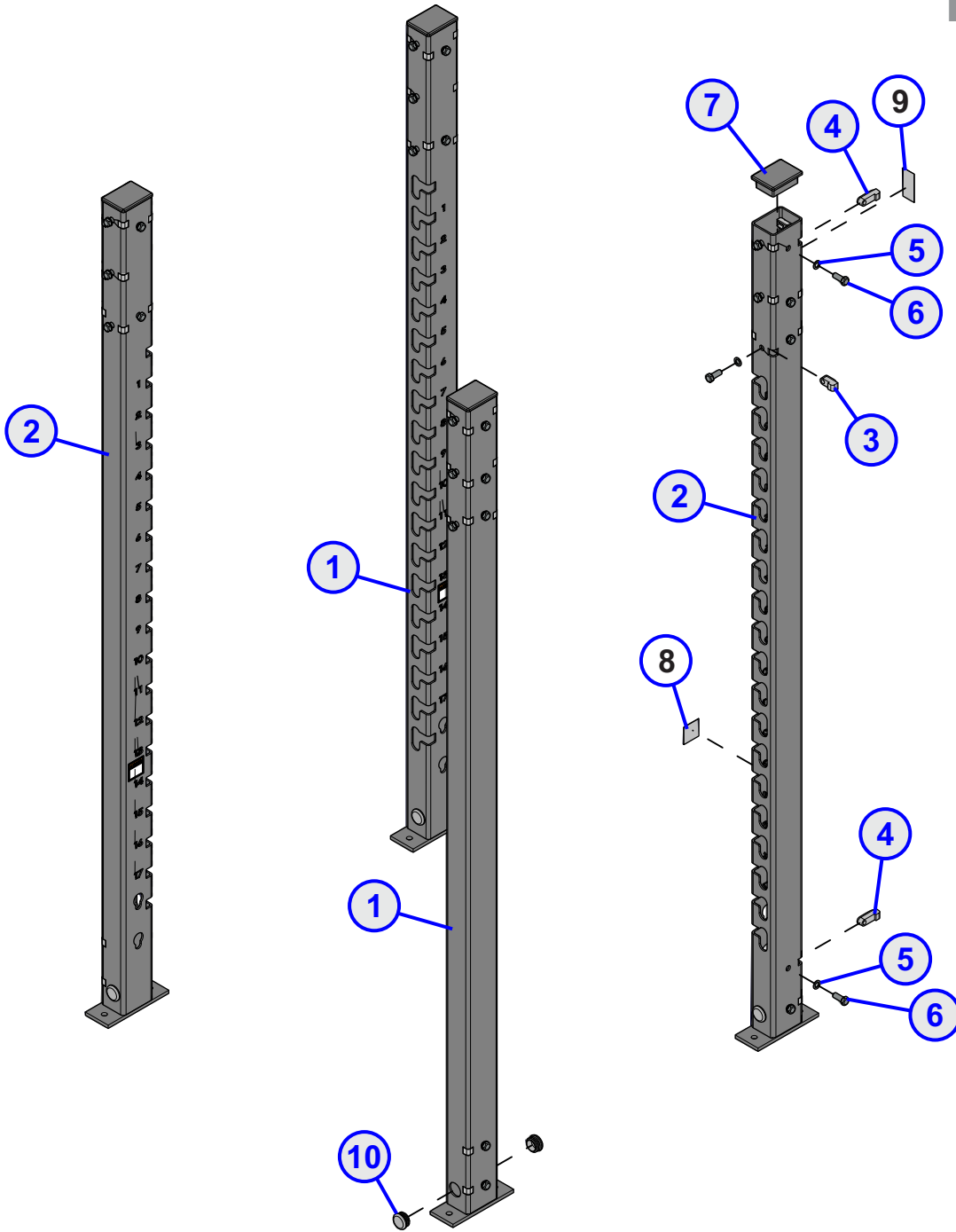
ITEM NO.	QTY.	PART NO.	DESCRIPTION
1	1	9208093	WLDMT, HDEPR/HRS, UPRIGHT, 9FT
2	1	9208193	WLDMT, HDEPR/HRS, UPRIGHT, 9FT
3	12	9097301	NUT, RECT TUBING, 7GA, 3"
4	14	9097302	NUT, RECT TUBING, 7GA, 4"
5	26	WASH.5STAR	1/2" INTERNAL LOCK WASHER
6	26	3272805	1/2 IN-13 X 1.25 IN UNC HHCS G5 ZN
7	2	9043101	CAP, END 3 X 4
8	2	91314XX	LABEL, HDE, SQUAT
9	2	91332XX	LABEL, ASSEMBLY WARNING, VERT
10	2	9124100	TUBE, HDEHR/MR, SPACER, 9' RACK
11	4	3119307	CAP, END ROUND



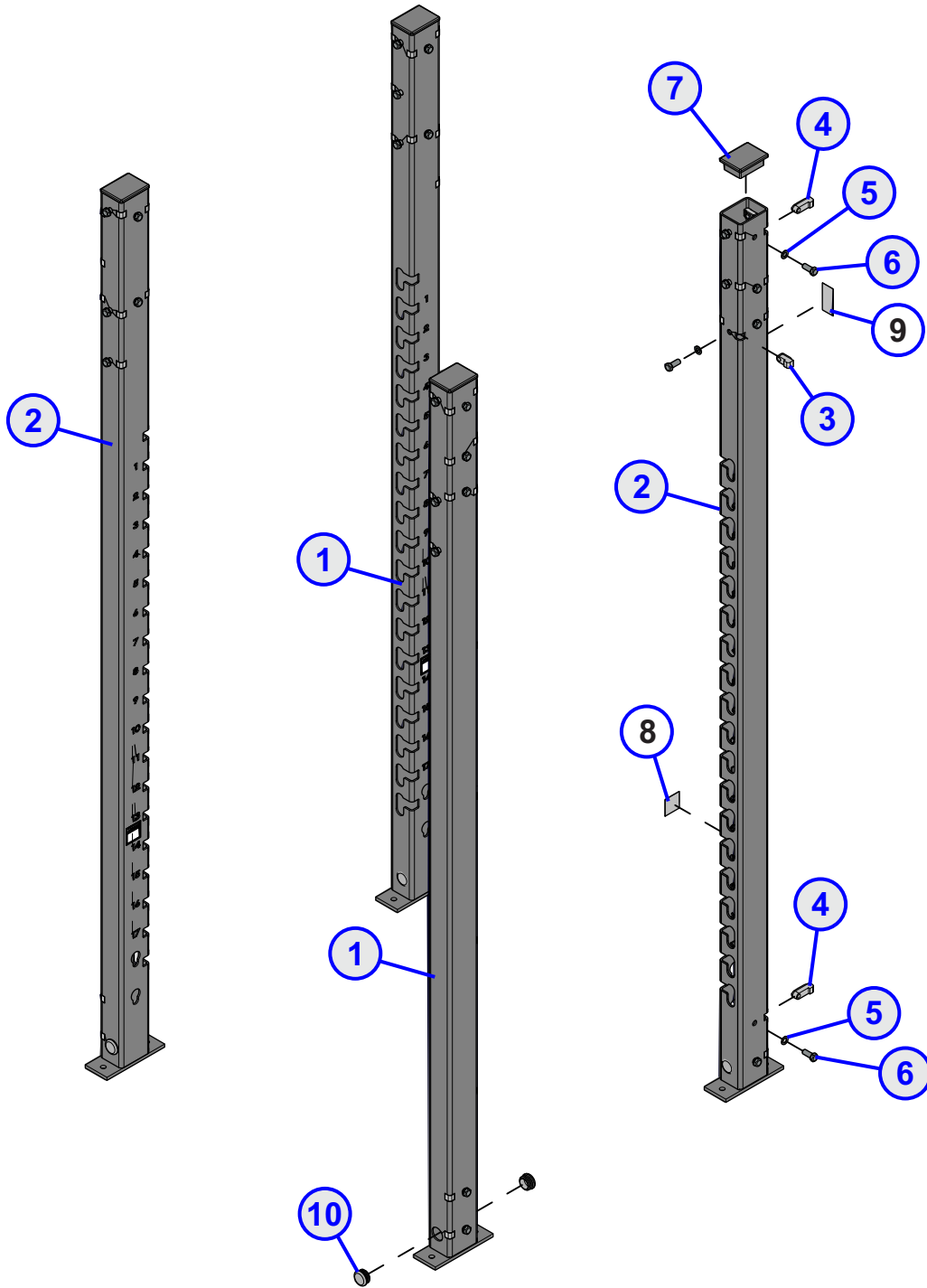
ITEM NO.	QTY.	PART NO.	DESCRIPTION
1	1	9208793	WLDMT, HDEMHR/HR, UPRIGHT, 8FT
2	1	9208893	WLDMT, HDEMHR/HR, UPRIGHT, 8FT
3	1	9208693	WLDMT, HDEMHR, UPRIGHT, FNT, RT
4	1	9208593	WLDMT, HDEMHR, UPRIGHT, FNT, LT
5	16	9097301	NUT, RECT TUBING, 7GA, 3"
6	18	9097302	NUT, RECT TUBING, 7GA, 4"
7	34	WASH.5STAR	1/2" INTERNAL LOCK WASHER
8	34	3272805	1/2 IN-13 X 1.25 IN UNC HHCS G5 ZN
9	4	9043101	CAP, END 3 X 4
10	4	91314XX	LABEL, HDE, SQUAT
11	2	91332XX	LABEL, ASSEMBLY WARNING, VERT
12	8	3119305	CAP, END 2.00 DIA RD 10-14 GA



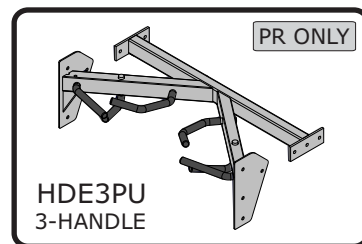
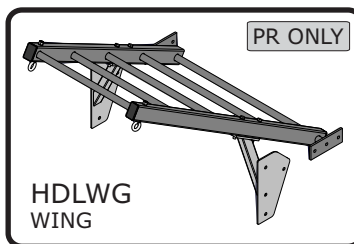
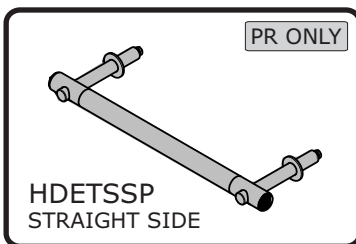
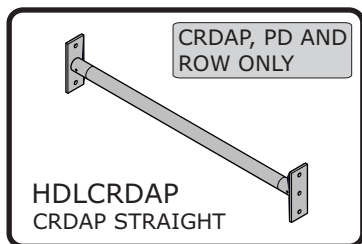
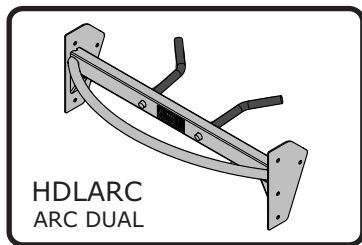
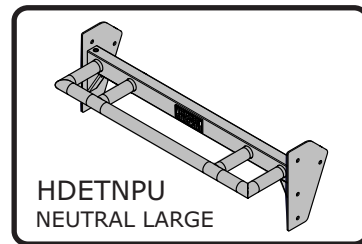
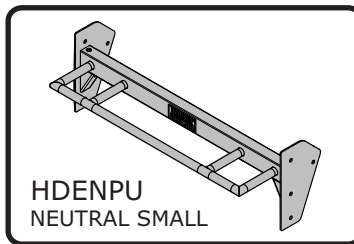
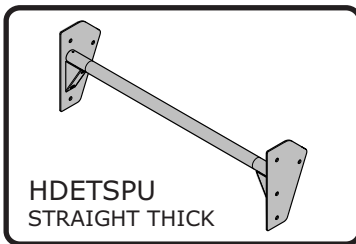
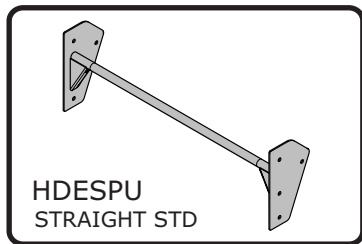
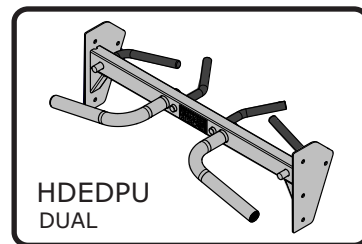
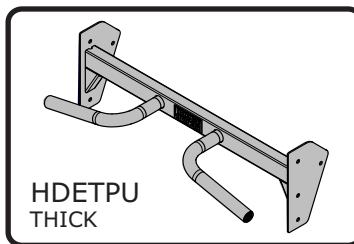
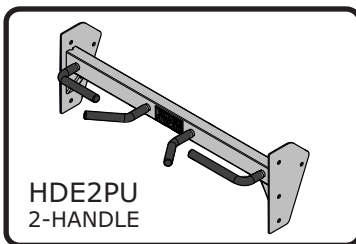
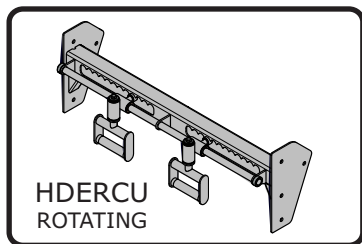
ITEM NO.	QTY.	PART NO.	DESCRIPTION
1	1	9208593	WLDMT, HDEM, UPRIGHT, FNT, LT
2	1	9208693	WLDMT, HDEM, UPRIGHT, FNT, RT
3	1	9209093	WLDMT, HDEM/HR, UPRIGHT, 9FT
4	1	9209193	WLDMT, HDEM/HR, UPRIGHT, 9FT
5	16	9097301	NUT, RECT TUBING, 7GA, 3"
6	18	9097302	NUT, RECT TUBING, 7GA, 4"
7	34	WASH.5STAR	1/2" INTERNAL LOCK WASHER
8	34	3272805	1/2 IN-13 X 1.25 IN UNC HHCS G5 ZN
9	4	9043101	CAP, END 3 X 4
10	4	91314XX	LABEL, HDE, SQUAT
11	2	91332XX	LABEL, ASSEMBLY WARNING, VERT
12	2	9124100	TUBE, HDEHR/MR, SPACER, 9' RACK
13	4	3119307	CAP, END ROUND



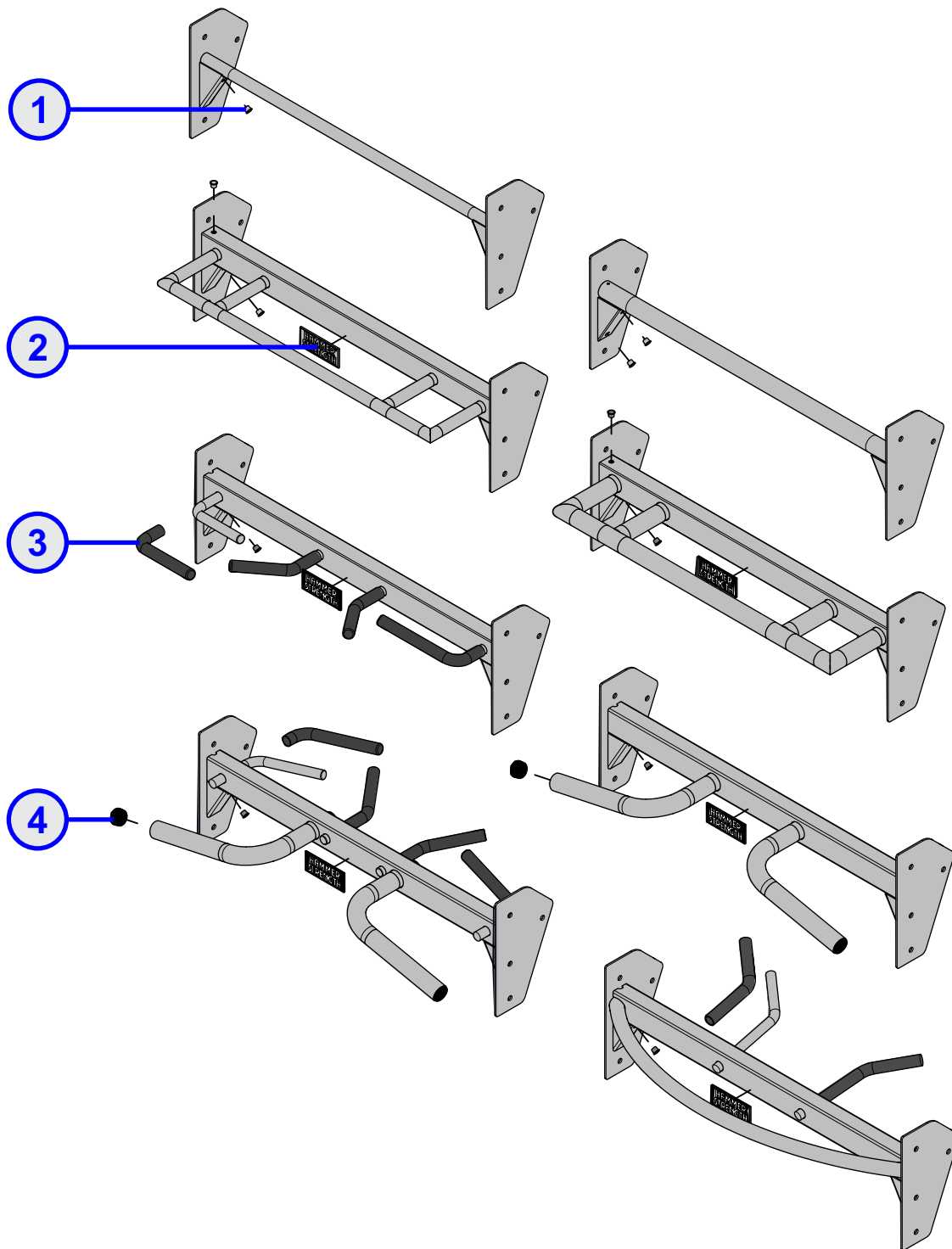
ITEM NO.	QTY.	PART NO.	DESCRIPTION
1	2	9207693	WLDMT, HDEPR/HRS, UPRIGHT, 8FT
2	2	9207793	WLDMT, HDEPR/HRS, UPRIGHT, 8FT
3	24	9097301	NUT, RECT TUBING, 7GA, 3"
4	28	9097302	NUT, RECT TUBING, 7GA, 4"
5	52	WASH.5STAR	1/2" INTERNAL LOCK WASHER
6	52	3272805	1/2 IN-13 X 1.25 IN UNC HHCS G5 ZN
7	4	9043101	CAP, END 3 X 4
8	4	91314XX	LABEL, HDE, SQUAT
9	2	91332XX	LABEL, ASSEMBLY WARNING, VERT
10	8	3119307	CAP, END ROUND



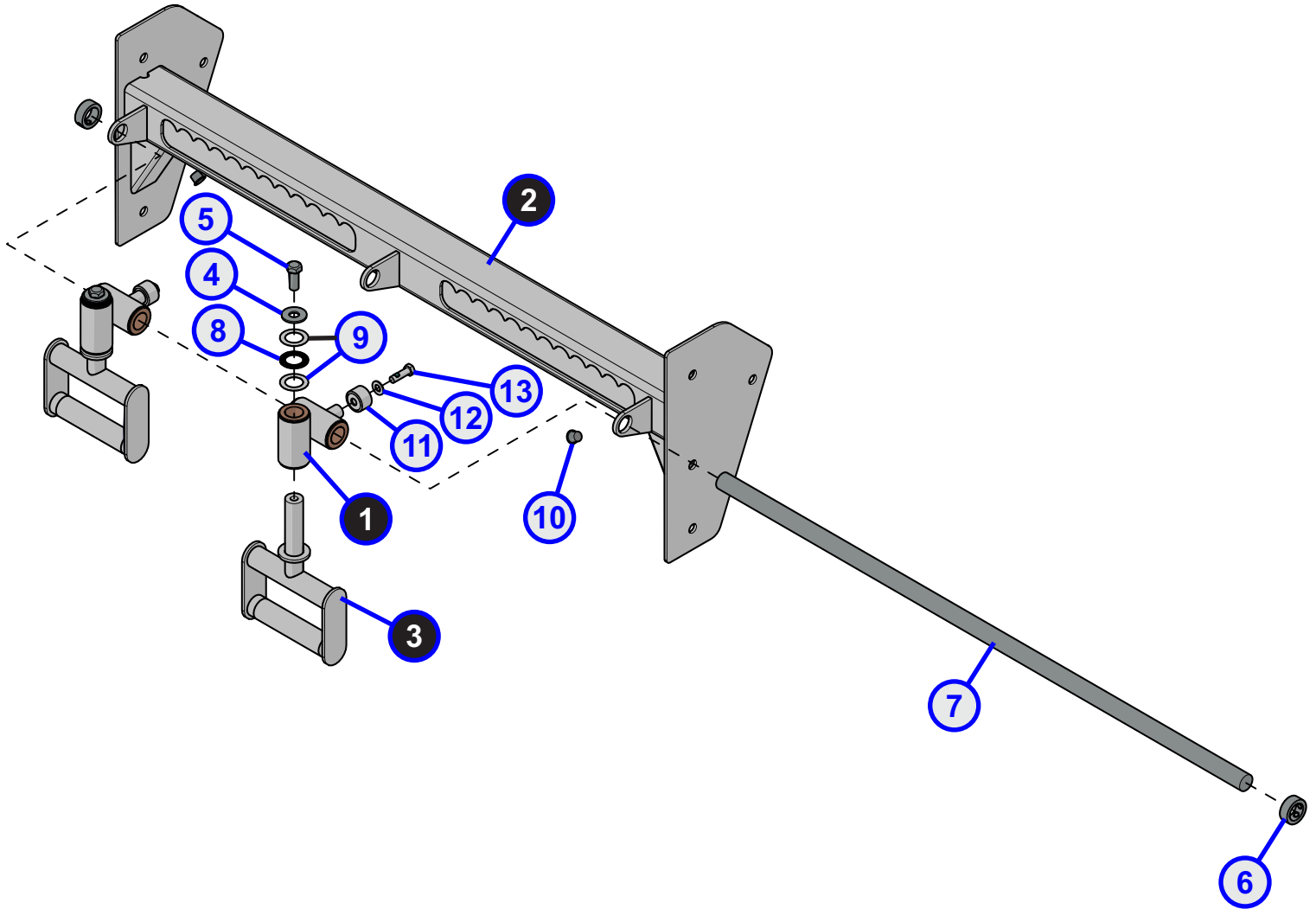
ITEM NO.	QTY.	PART NO.	DESCRIPTION
1	2	9208093	WLDMT, HDEPR/HRS, UPRIGHT, 9FT
2	2	9208193	WLDMT, HDEPR/HRS, UPRIGHT, 9FT
3	24	9097301	NUT, RECT TUBING, 7GA, 3"
4	28	9097302	NUT, RECT TUBING, 7GA, 4"
5	52	WASH.5STAR	1/2" INTERNAL LOCK WASHER
6	52	3272805	1/2 IN-13 X 1.25 IN UNC HHCS G5 ZN
7	4	9043101	CAP, END 3 X 4
8	4	91314XX	LABEL, HDE, SQUAT
9	2	91332XX	LABEL, ASSEMBLY WARNING, VERT
10	8	3119307	CAP, END ROUND



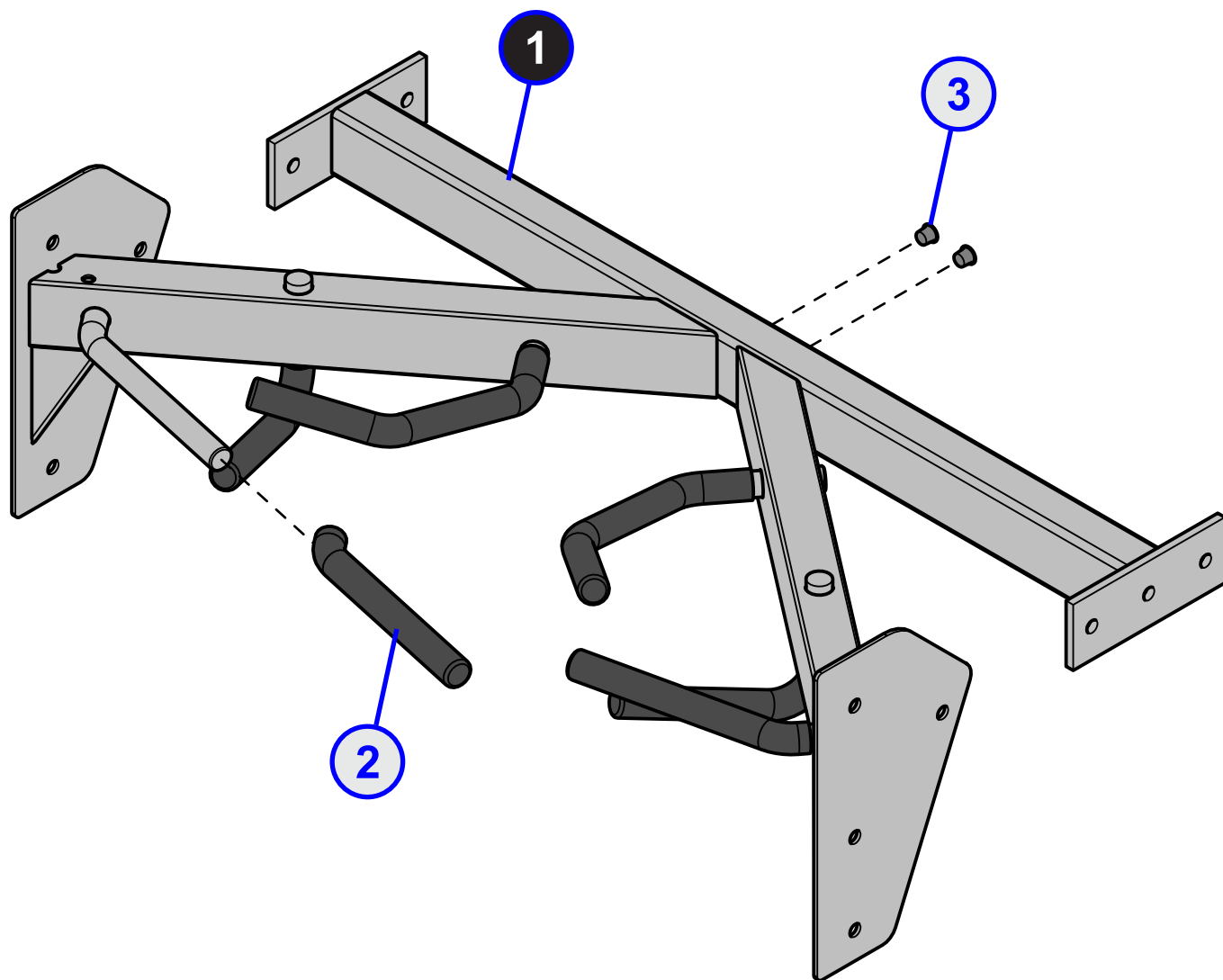
CONTACT LF SALES FOR PULL-UP BARS



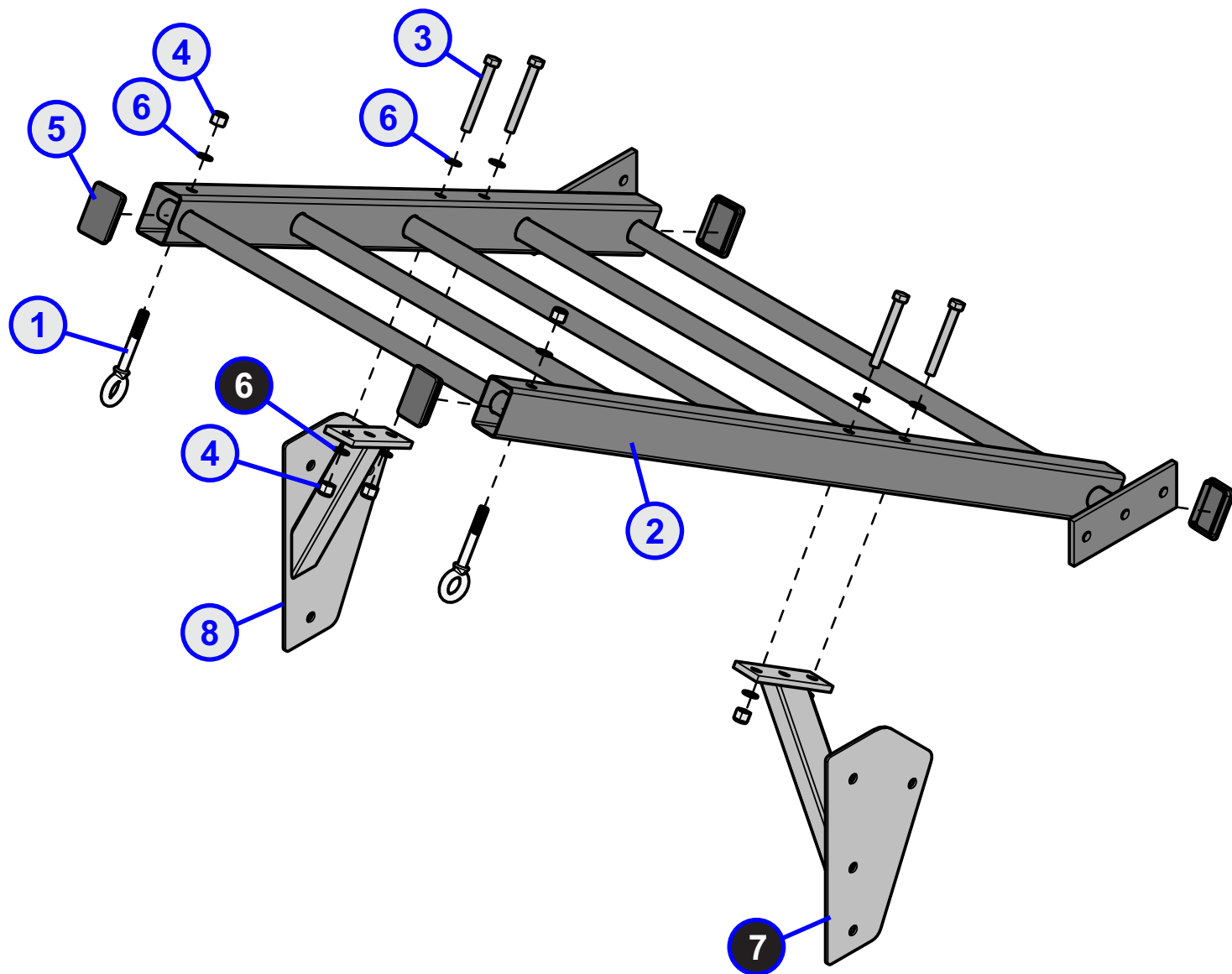
ITEM NO.	PART NO.	DESCRIPTION
1	H-HPLUG(REG)	9/16IN HOLE PLUG
2	H-NAMEPLATE	HAMMER NAME PLATE
3	H-GRIP	HAMMER GRIP
4	H-LOCK-PLUG (LARGE)	PLUG, HAMMER WEIGHT HORN



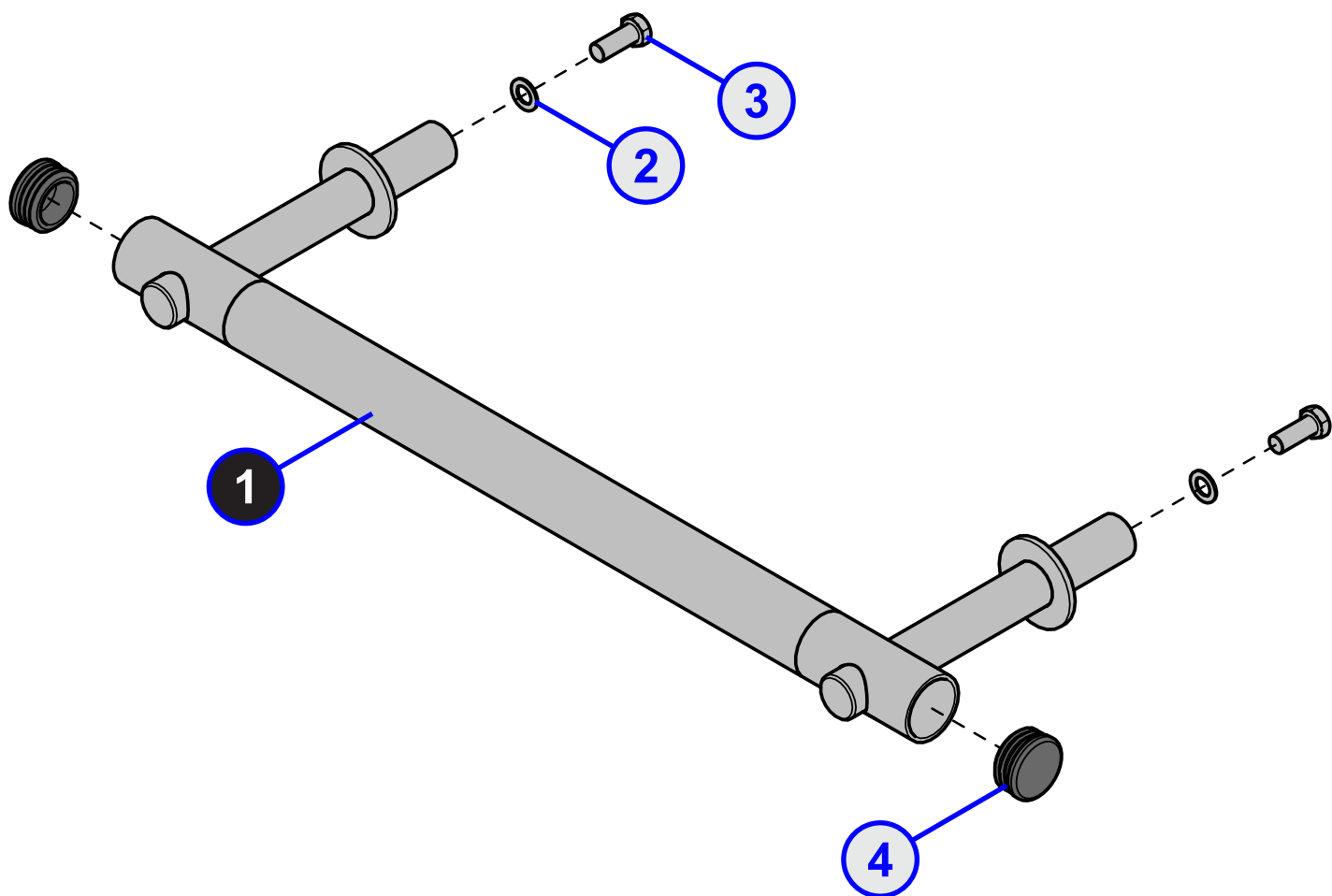
ITEM NO.	QTY.	PART NO.	DESCRIPTION
1	2	8860300	ASSY, ADJ PULL-UP SLIDE
2	1	9213900	WLDMT, PULL-UP, ADJUSTABLE
3	2	9187400	WLDMT, ADJ PULL-UP, HANDLE
4	2	3246501	WASHER, FENDER 1/2" ID X 1.5" OD SS
5	2	3272805	1/2 IN-13 X 1.25 IN UNC HHCS G5 ZN
6	2	7435301	COLLAR, MTS, SHAFT, 1.020" ID
7	1	9050301	GUIDE ROD, PULL-UP, STRAIGHT, ADJUSTABLE ROTATING
8	2	9117301	BEARING, THRUST NEEDLE-ROLLER, 1 IN. ID
9	4	9117401	WASHER, THRUST NEEDLE ROLLER, 1IN, ID
10	2	H-HPLUG(REG)	H-PLUG 9-16
11	2	3248401	CAM FOLLOWER TORRINGTON YCR-20
12	2	3102514	WASHER, FLAT 3/8" SAE ST ZN
13	2	3251302	3/8-16 X 1.25 HEX HEAD BOLT



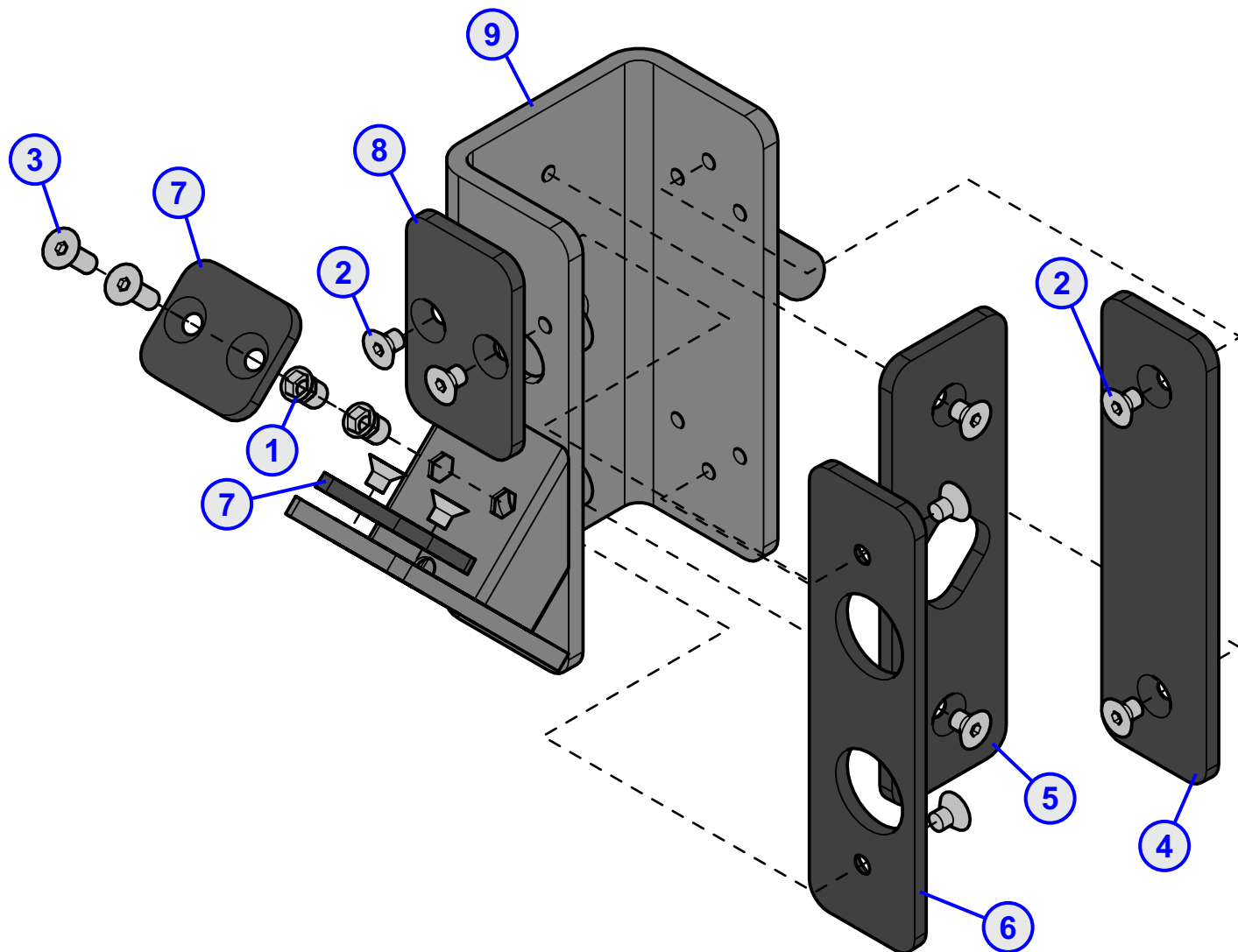
ITEM NO.	QTY.	PART NO.	DESCRIPTION
1	1	9101501	ASSY, HDEPR, PULL-UP, K-BAR, 1IN
2	6	H-GRIP	HAMMER GRIP
3	2	H-HPLUG(REG)	H-PLUG 9-16



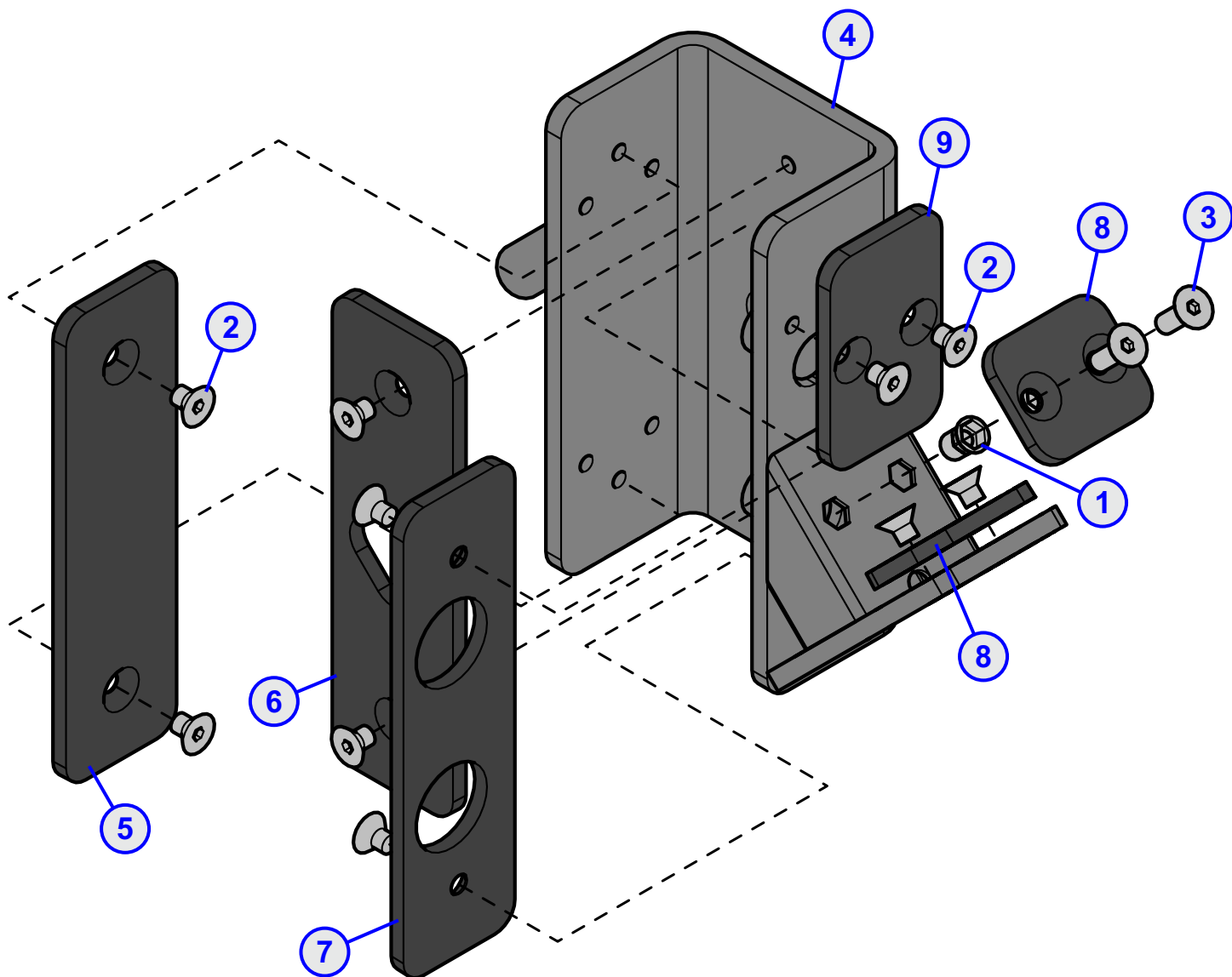
ITEM NO.	QTY.	PART NO.	DESCRIPTION
1	2	9120902	BOLT, EYE, 1/2-13 X 3.25
2	1	9171493	WLDMT, HDE BATWING HANDLES -HWG
3	4	HHB.5X4	1/2 X 4 BOLT
4	6	NUT.5LOCK	1/2 DIA THICK LOCK NUT
5	4	RC-2030-1	CAP, END 2 X 3
6	10	WASH.5STAR	1/2" INTERNAL LOCK WASHER
7	1	9171693	WLDMT, HDE BAT WING GUSSET LH
8	1	9171893	WLDMT, HDE BAT WING GUSSET RH



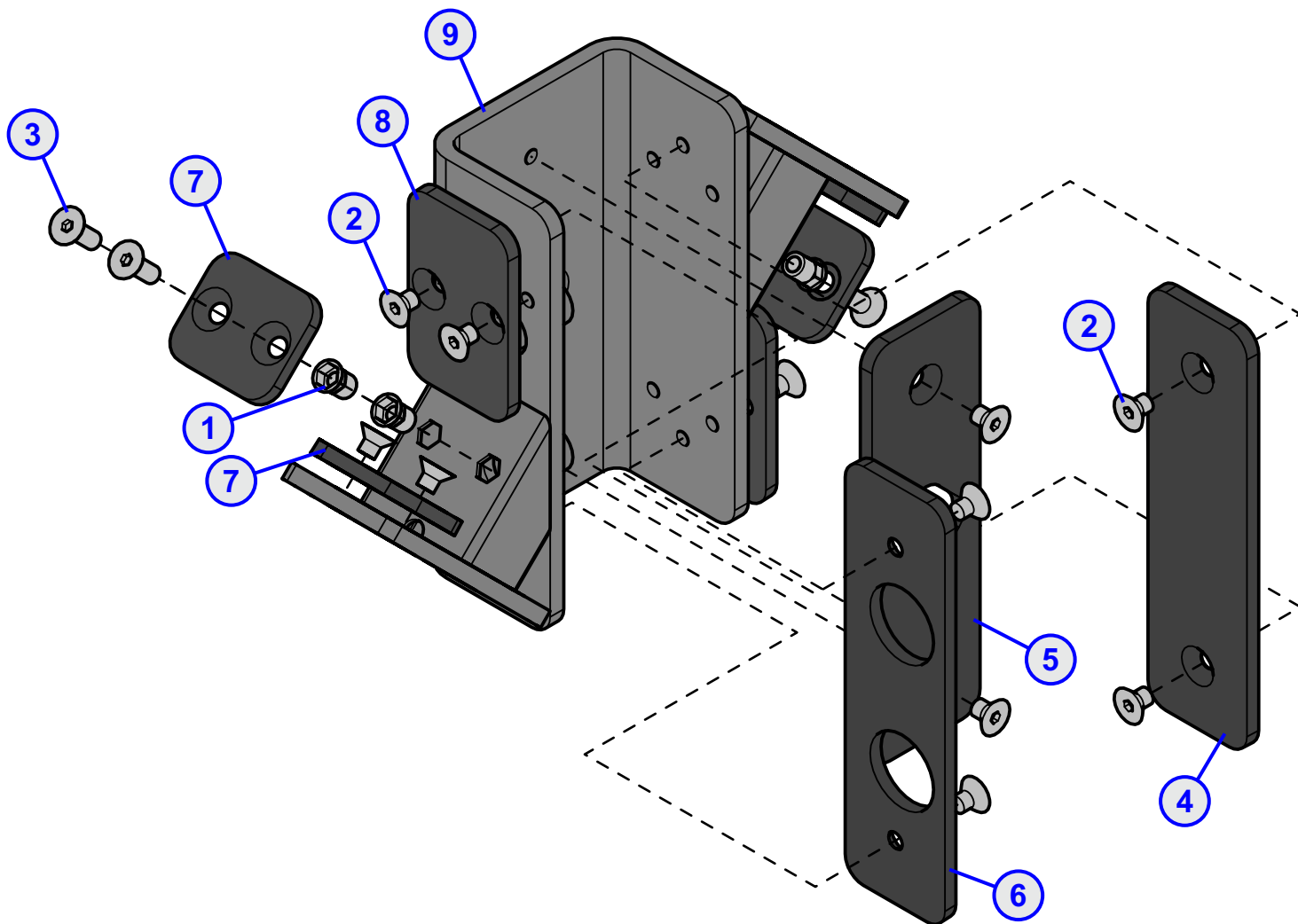
ITEM NO.	QTY.	PART NO.	DESCRIPTION
1	1	9025200	WLDMT, HDEPR, PULL-UP, SIDE MNT, LG
2	2	WASH.5STAR	1/2" INTERNAL LOCK WASHER
3	2	3272805	1/2 IN-13 X 1.25 IN UNC HHCS G5 ZN
4	2	3119306	CAP, END 1-1/2 DIA, 8-12GA



ITEM NO.	QTY.	PART NO.	DESCRIPTION
1	2	3246101	3/8-16 BLIND THREADED INSERT (HEX)
2	10	3246201	0.375 X 1/2" FLAT HEAD CAP SCREW
3	2	3246202	0.375 X 1" FLAT HEAD CAP SCREW
4	1	9108901	GUARD, PAINT, HDE, 254.0 X 69.3
5	1	9109001	GUARD, PAINT, HDE, 254.0 X 75.6
6	1	9109101	GUARD, PAINT, HDE, 254.0 X 69.3
7	2	9109201	GUARD, PAINT, HDE, 69.9 X 60.3
8	1	9109401	GUARD, PAINT, HDE, 69.9 X 114.3
9	1	9108300	ASSY, BAR SUPPORT LEFT



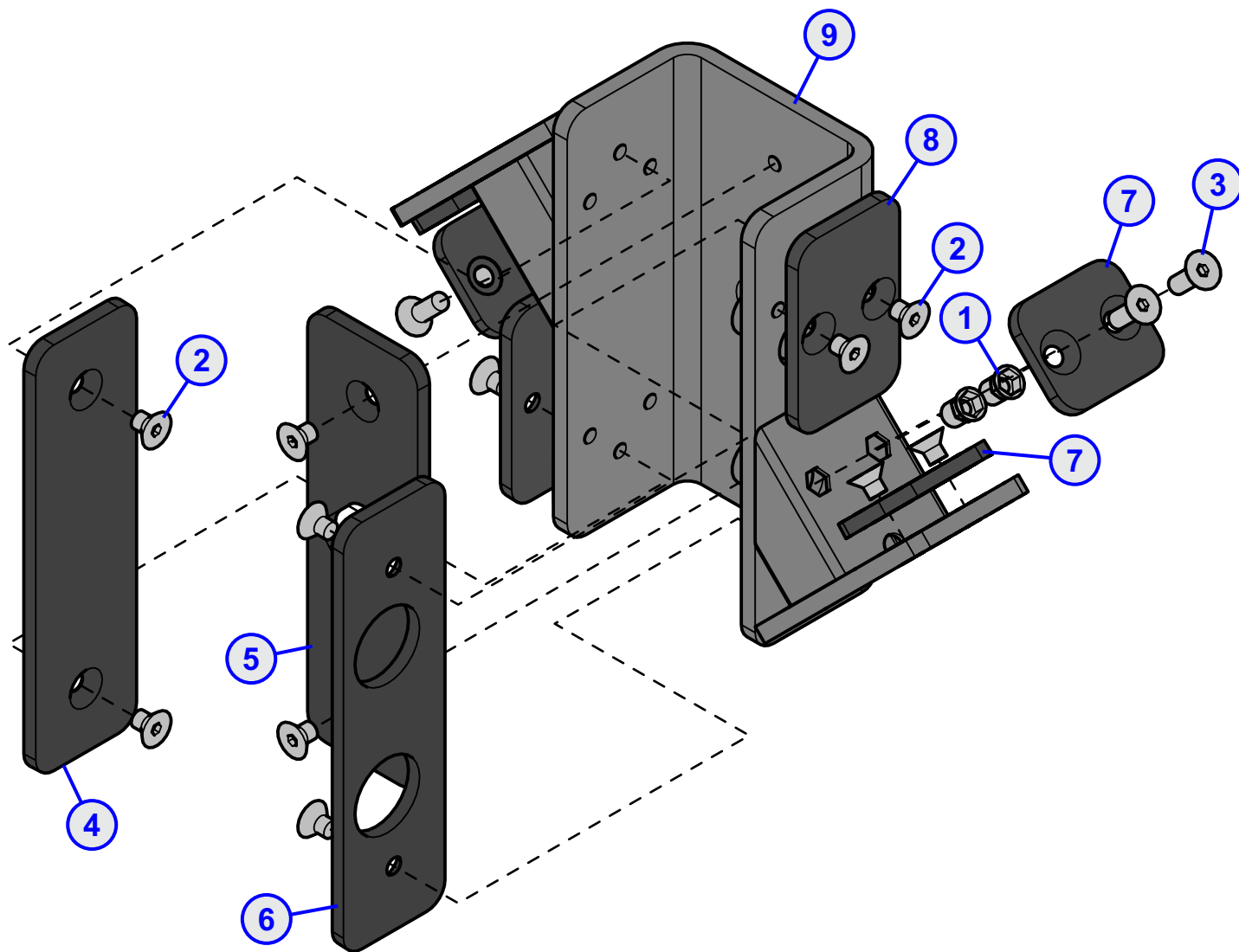
ITEM NO.	QTY.	PART NO.	DESCRIPTION
1	2	3246101	3/8-16 BLIND THREADED INSERT (HEX)
2	10	3246201	0.375 X 1/2" FLAT HEAD CAP SCREW
3	2	3246202	0.375 X 1" FLAT HEAD CAP SCREW
4	1	9109500	PTD ASSY, BAR SUPPORT RIGHT
5	1	9108901	GUARD, PAINT, HDE, 254.0 X 69.3
6	1	9109001	GUARD, PAINT, HDE, 254.0 X 75.6
7	1	9109101	GUARD, PAINT, HDE, 254.0 X 69.3
8	2	9109201	GUARD, PAINT, HDE, 69.9 X 60.3
9	1	9109401	GUARD, PAINT, HDE, 69.9 X 114.3



ITEM NO.	QTY.	PART NO.	DESCRIPTION
1	4	3246101	3/8-16 BLIND THREADED INSERT (HEX)
2	14	3246201	0.375 X 1/2" FLAT HEAD CAP SCREW
3	4	3246202	0.375 X 1" FLAT HEAD CAP SCREW
4	1	9108901	GUARD, PAINT, HDE, 254.0 X 69.3
5	1	9109001	GUARD, PAINT, HDE, 254.0 X 75.6
6	1	9109101	GUARD, PAINT, HDE, 254.0 X 69.3
7	4	9109201	GUARD, PAINT, HDE, 69.9 X 60.3
8	2	9109401	GUARD, PAINT, HDE, 69.9 X 114.3
9	1	9115300	PTD ASSY, REVERSE BAR SUPPORT LEFT

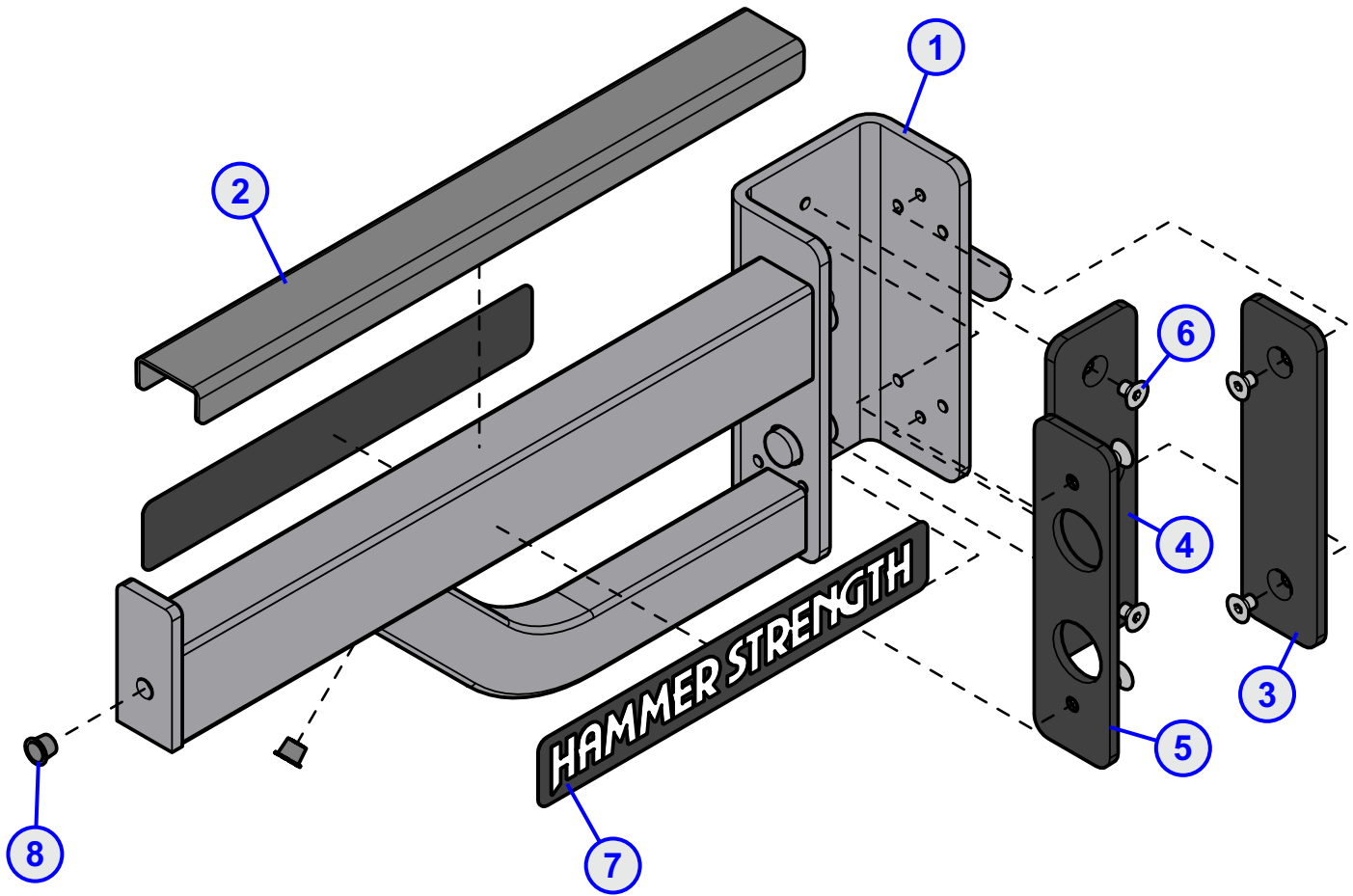
HD ELITE 9115100 REVERSE RIGHT BAR SUPPORT

HDLPR
HDLMR

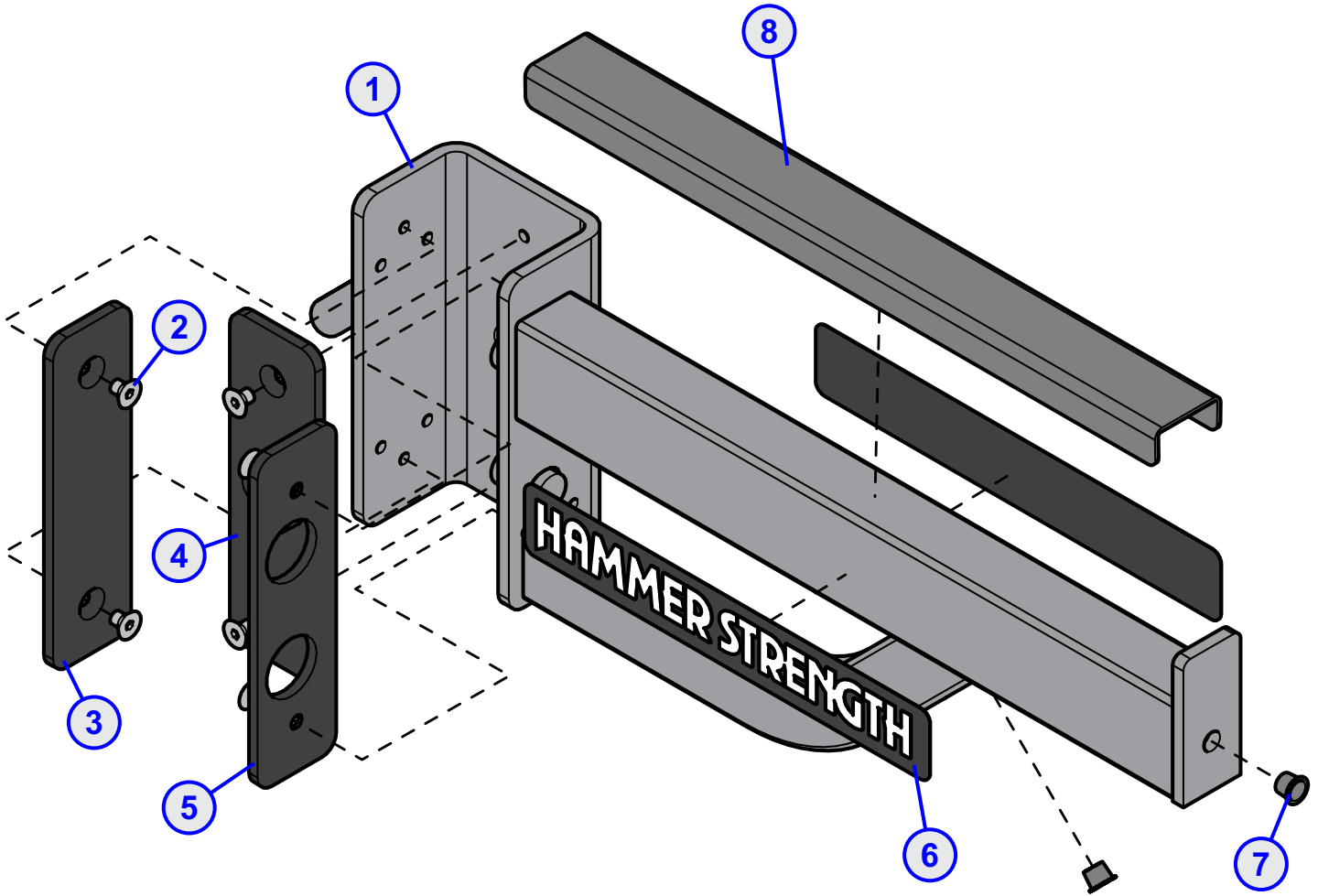


ITEM NO.	QTY.	PART NO.	DESCRIPTION
1	4	3246101	3/8-16 BLIND THREADED INSERT (HEX)
2	14	3246201	0.375 X 1/2" FLAT HEAD CAP SCREW
3	4	3246202	0.375 X 1" FLAT HEAD CAP SCREW
4	1	9108901	GUARD, PAINT, HDE, 254.0 X 69.3
5	1	9109001	GUARD, PAINT, HDE, 254.0 X 75.6
6	1	9109101	GUARD, PAINT, HDE, 254.0 X 69.3
7	4	9109201	GUARD, PAINT, HDE, 69.9 X 60.3
8	2	9109401	GUARD, PAINT, HDE, 69.9 X 114.3
9	1	9115100	PTD ASSY, REV BAR SUPPORT RIGHT

HDLHR
HDLHRS

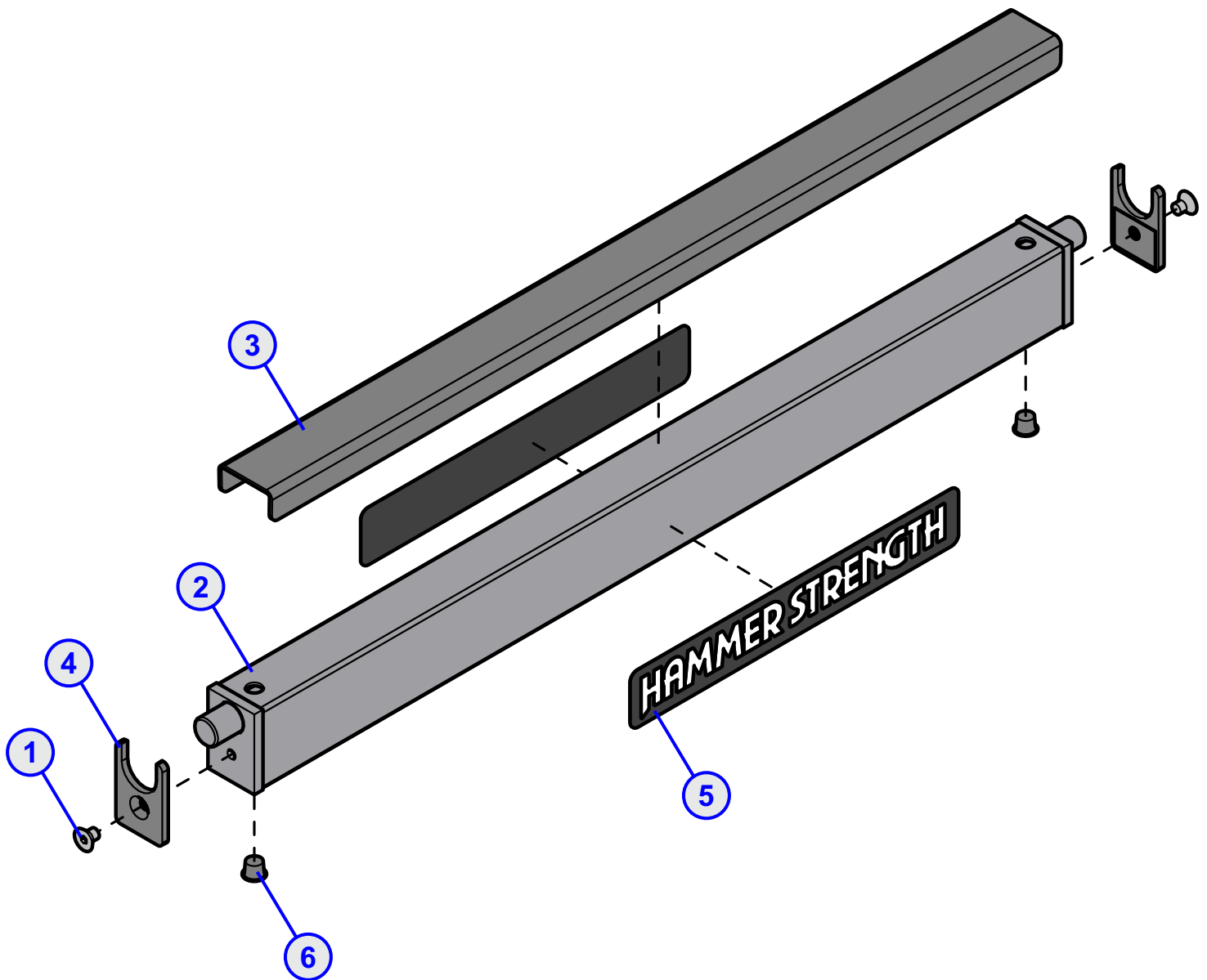


ITEM NO.	QTY.	PART NO.	DESCRIPTION
1	1	1000110-0093	WLDMT, HDL, BAR CATCH LEFT - HWG
2	1	1004865-0002	ASSY, PAINT GUARD, 2IN TUBE
3	1	9108901	GUARD, PAINT, HDE, 254.0 X 69.3
4	1	9109001	GUARD, PAINT, HDE, 254.0 X 75.6
5	1	9109101	GUARD, PAINT, HDE, 254.0 X 69.3
6	6	3246201	0.375 X 1/2" FLAT HEAD CAP SCREW
7	2	1008790-0001	LABEL: LOGO, HAMMER STRENGTH
8	2	H-HPLUG(REG)	H-PLUG 9-16

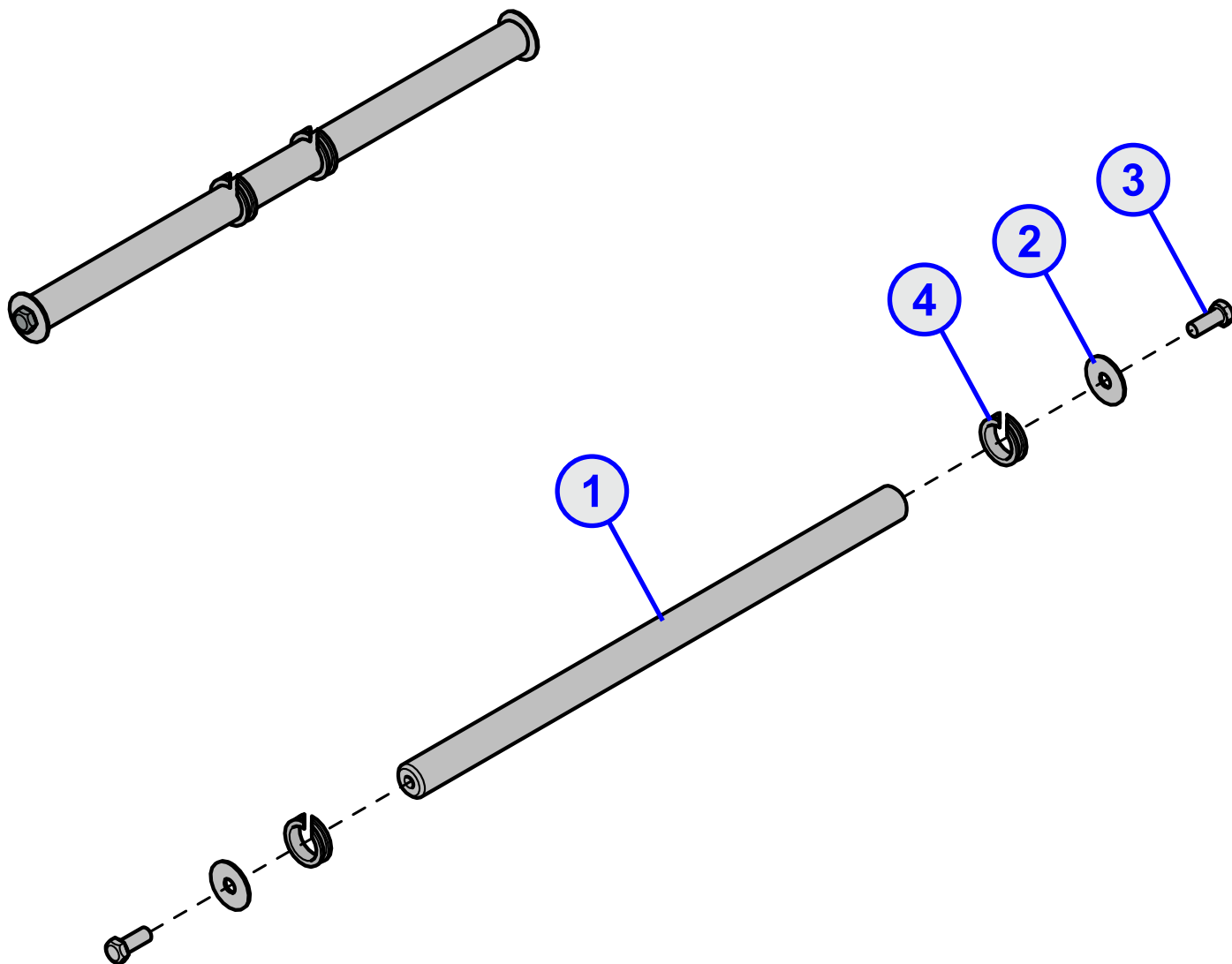


ITEM NO.	QTY.	PART NO.	DESCRIPTION
1	1	1000255-0093	WLDMT, BAR CATCH RIGHT - HWG
2	6	3246201	0.375 X 1/2" FLAT HEAD CAP SCREW
3	1	9108901	GUARD, PAINT, HDE, 254.0 X 69.3
4	1	9109001	GUARD, PAINT, HDE, 254.0 X 75.6
5	1	9109101	GUARD, PAINT, HDE, 254.0 X 69.3
6	2	1008790-0001	LABEL: LOGO, HAMMER STRENGTH
7	1	H-HPLUG(REG)	H-PLUG 9-16
8	2	1004865-0002	ASSY, PAINT GUARD, 2IN TUBE

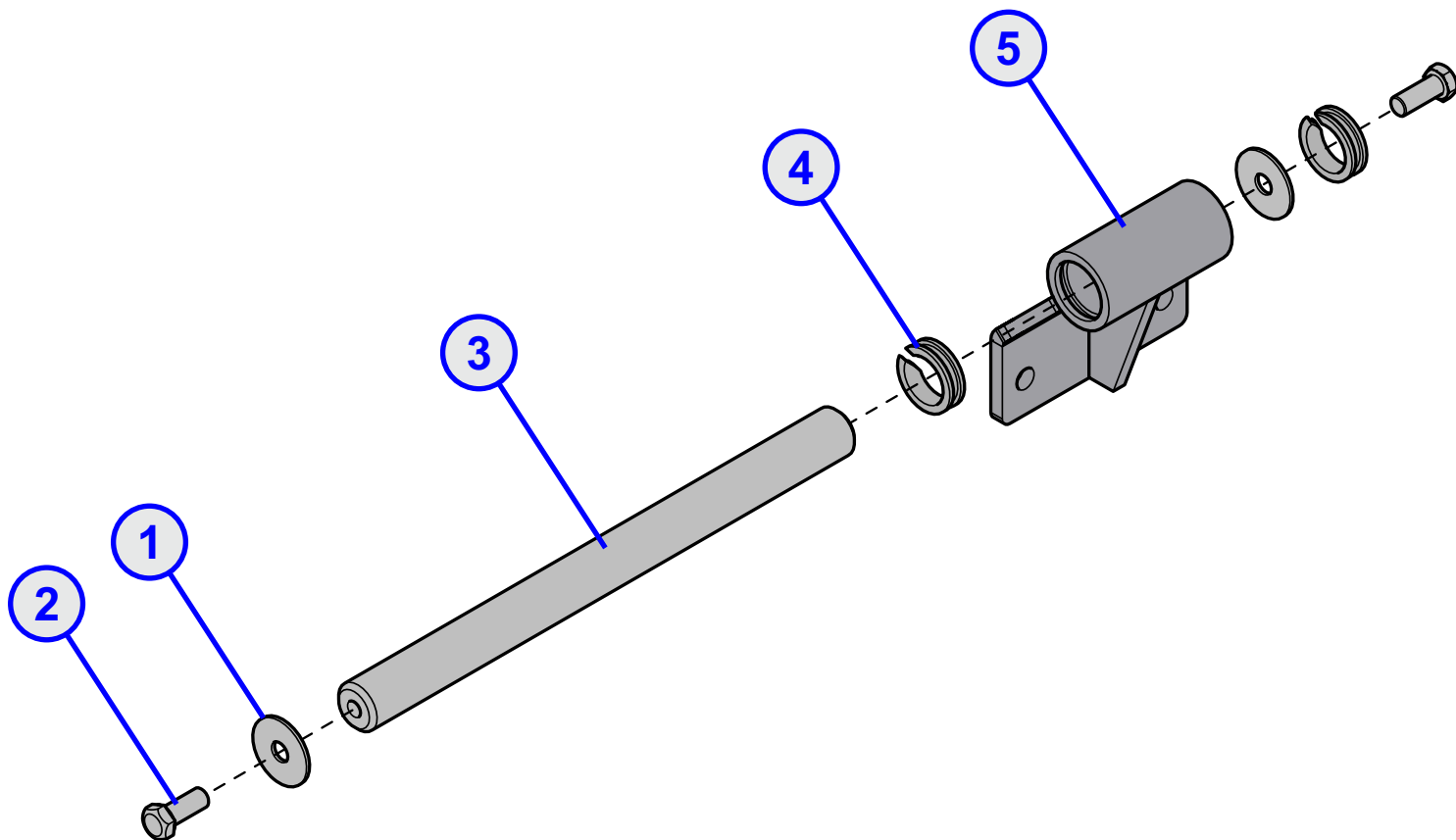
HDLPR
HDLMR



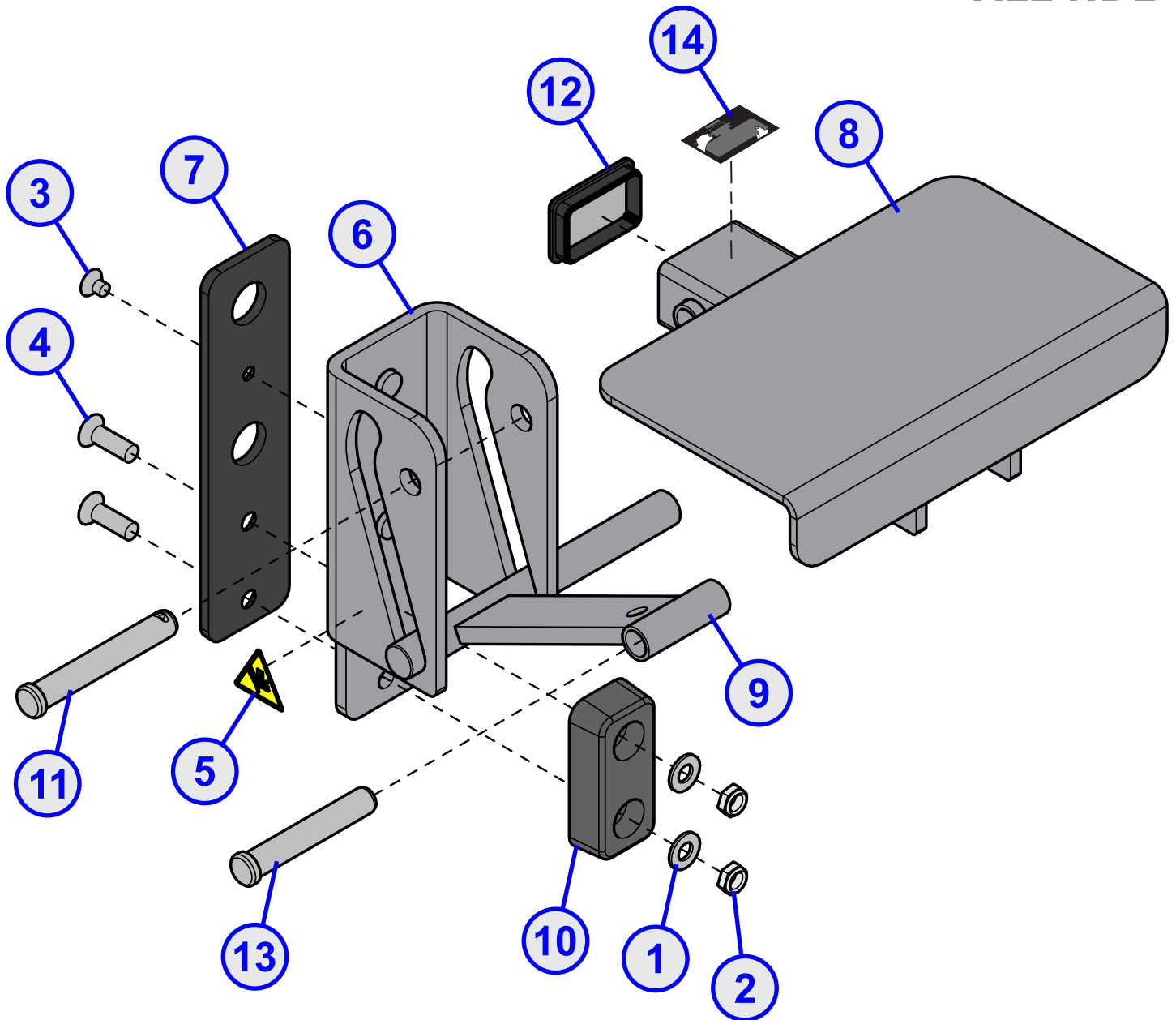
ITEM NO.	QTY.	PART NO.	DESCRIPTION
1	2	3246201	0.375 X 1/2" FLAT HEAD CAP SCREW
2	1	9113800	PTD ASSY, BAR CATCH
3	1	1004865-0004	ASSY, PAINT GUARD, 2IN TUBE
4	2	9113701	ASSY, HDE BAR CATCH END
5	2	1008790-0001	LABEL: LOGO, HAMMER STRENGTH
6	2	H-HPLUG(REG)	H-PLUG 9-16



ITEM NO.	QTY.	PART NO.	DESCRIPTION
1	2	9222601	GUIDE ROD, 31.7 X 581.0 MM
2	4	3102512	WASHER, TYPE A PLAIN ZN
3	4	3272805	1/2 IN-13 X 1.25 IN UNC HHCS G5 ZN
4	4	9235301	CLIP, BEARING



ITEM NO.	QTY.	PART NO.	DESCRIPTION
1	2	3102512	WSHR, FLAT 1/2 ID X1-3/4 OD ZN
2	2	3272805	1/2 IN - 13X 1.25 IN UNC HHCS G5 ZN
3	1	9222602	GUIDE ROD, 31.7 X 400.0 MM
4	2	9235301	CLIP, BEARING
5	1	9297793	WLDMT, HDLHRL, SBP

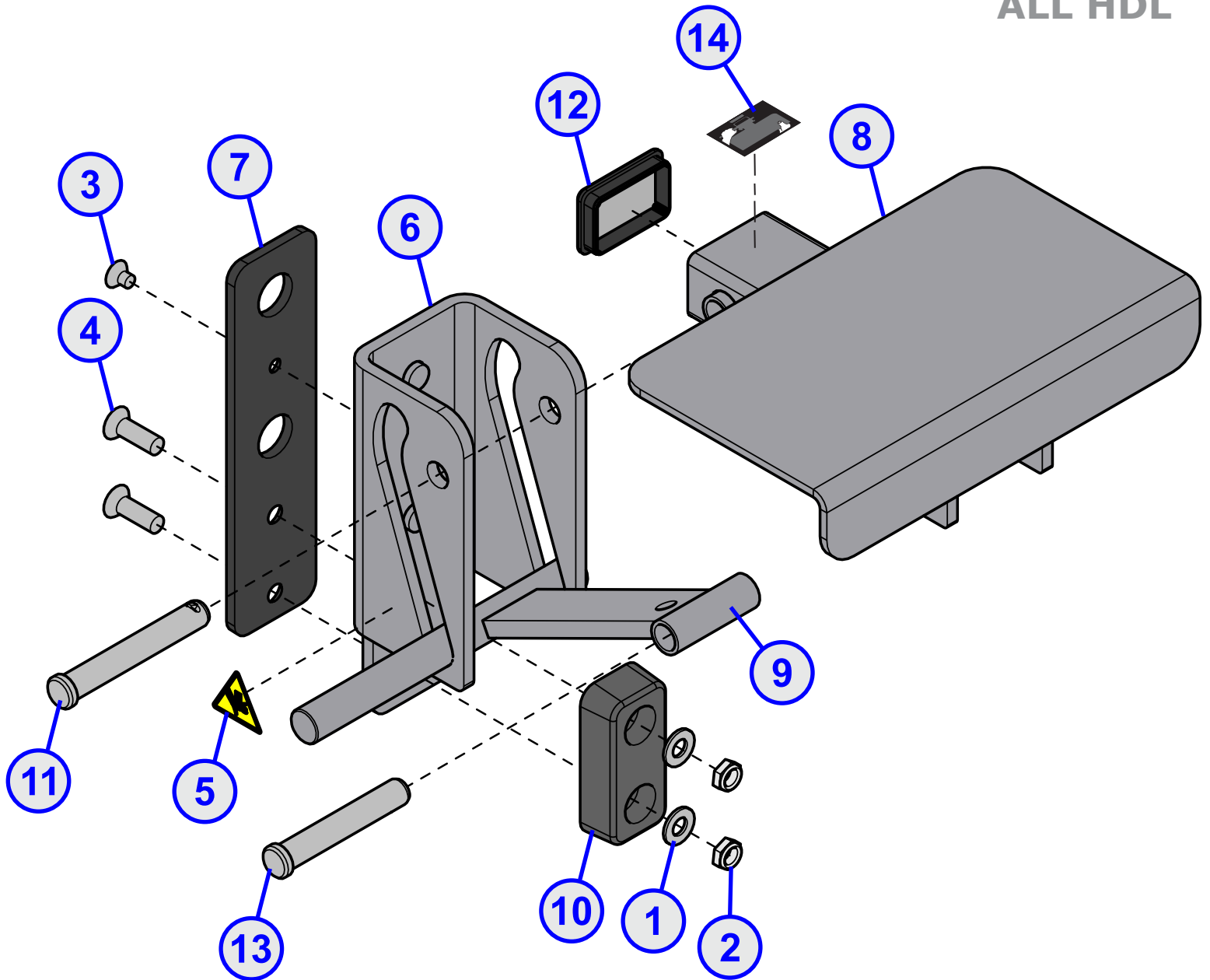


ITEM NO.	QTY.	PART NO.	DESCRIPTION
1	2	3102507	WASHER, FLAT 1/2 SAE ST ZN
2	2	3102804	NUT, NYLOCK-JAM 1/2-13 ST ZN
3	1	3246201	0.375 X 1/2" FLAT HEAD CAP SCREW
4	2	3246303	SCREW, FHSCS 1/2-13 X 1 1/2
5	2	8039501	LABEL, WARNING, TRIANGLE
6	1	9053493	WLDMT, HDE, SPOTTER PLATFORM
7	1	9053801	GUARD, PAINT, HDE, 300.0 X 76.8
8	1	9115593	WLDMT, HDE PLATFORM STEP
9	1	9116093	WLDMT - HDE PLATFORM SUPT
10	1	H-BUMP-SML	MM3 SMALL BUMPER
11	1	HDADJ PIN	LONG SEAT PIN (HDADJ)
12	1	RC-2030-1	CAP, END 2 X 3
13	1	STD SEAT PIN	STD SEAT PIN
14	1	1017982-0001	LABEL: PLACARD, SPOTTER PLATFORM

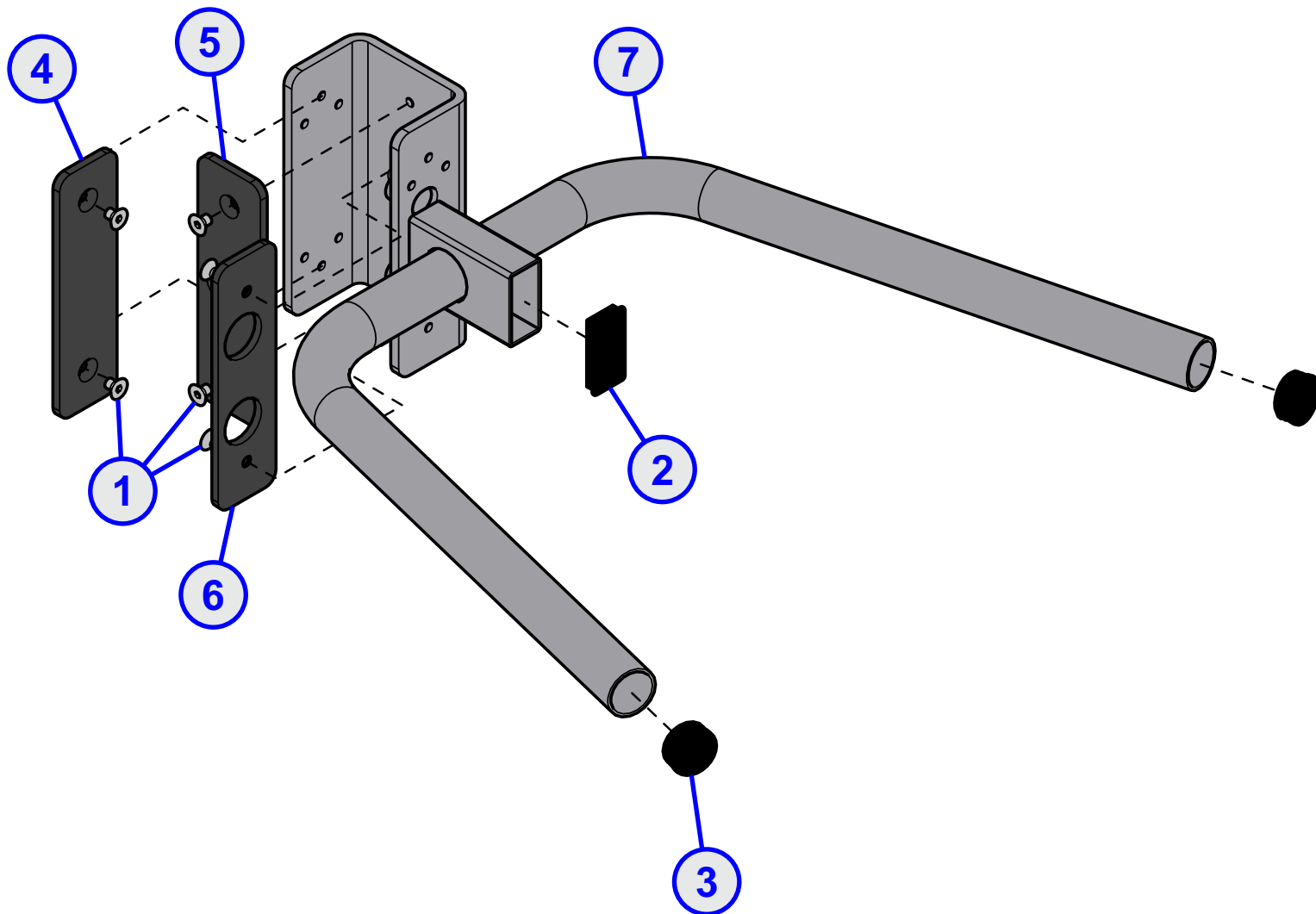
HD ELITE

RIGHT SPOTTER PLATFORM

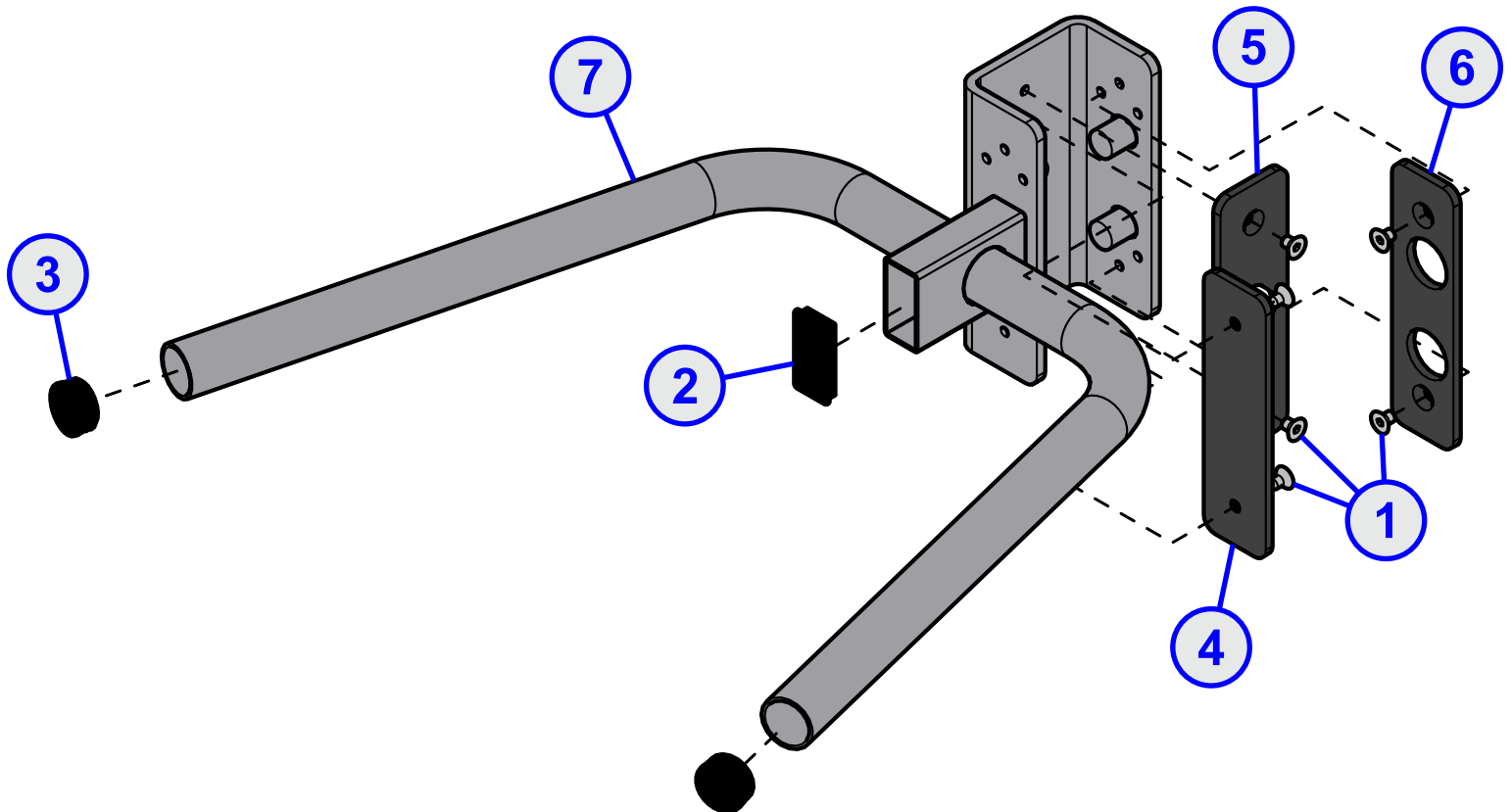
ALL HDL



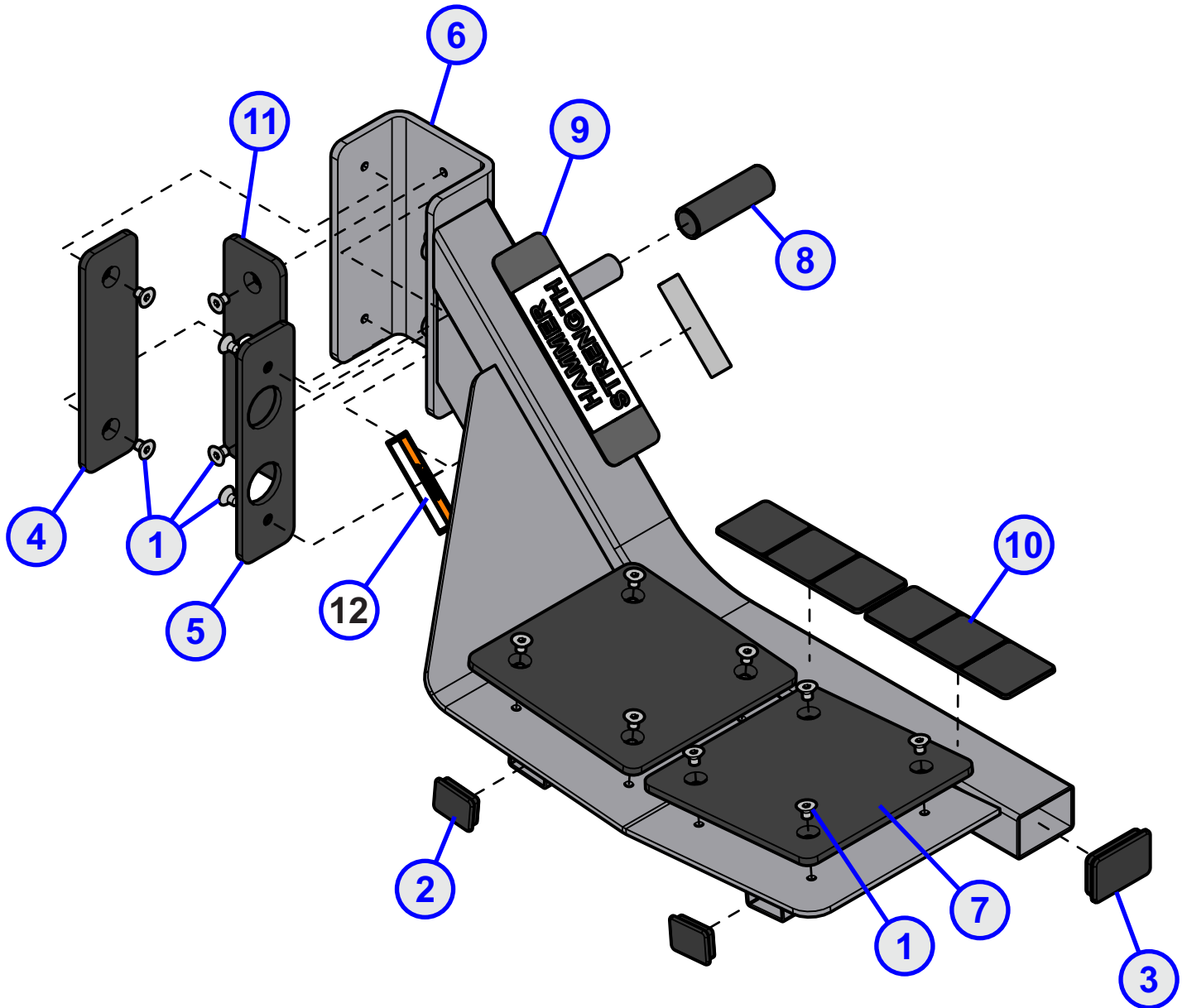
ITEM NO.	QTY.	PART NO.	DESCRIPTION
1	2	3102507	WASHER, FLAT 1/2 SAE ST ZN
2	2	3102804	NUT, NYLOCK-JAM 1/2-13 ST ZN
3	1	3246201	0.375 X 1/2" FLAT HEAD CAP SCREW
4	2	3246303	SCREW, FHSCS 1/2-13 X 1 1/2
5	2	8039501	LABEL, WARNING, TRIANGLE
6	1	9053493	WLDMT, HDE, SPOTTER PLATFORM
7	1	9053801	GUARD, PAINT, HDE, 300.0 X 76.8
8	1	9115593	WLDMT, HDE PLATFORM STEP
9	1	9116093	WLDMT - HDE PLATFORM SUPT
10	1	H-BUMP-SML	MM3 SMALL BUMPER
11	1	HDADJ PIN	LONG SEAT PIN (HDADJ)
12	1	RC-2030-1	CAP, END 2 X 3
13	1	STD SEAT PIN	STD SEAT PIN
14	1	1017982-0001	LABEL: PLACARD, SPOTTER PLATFORM



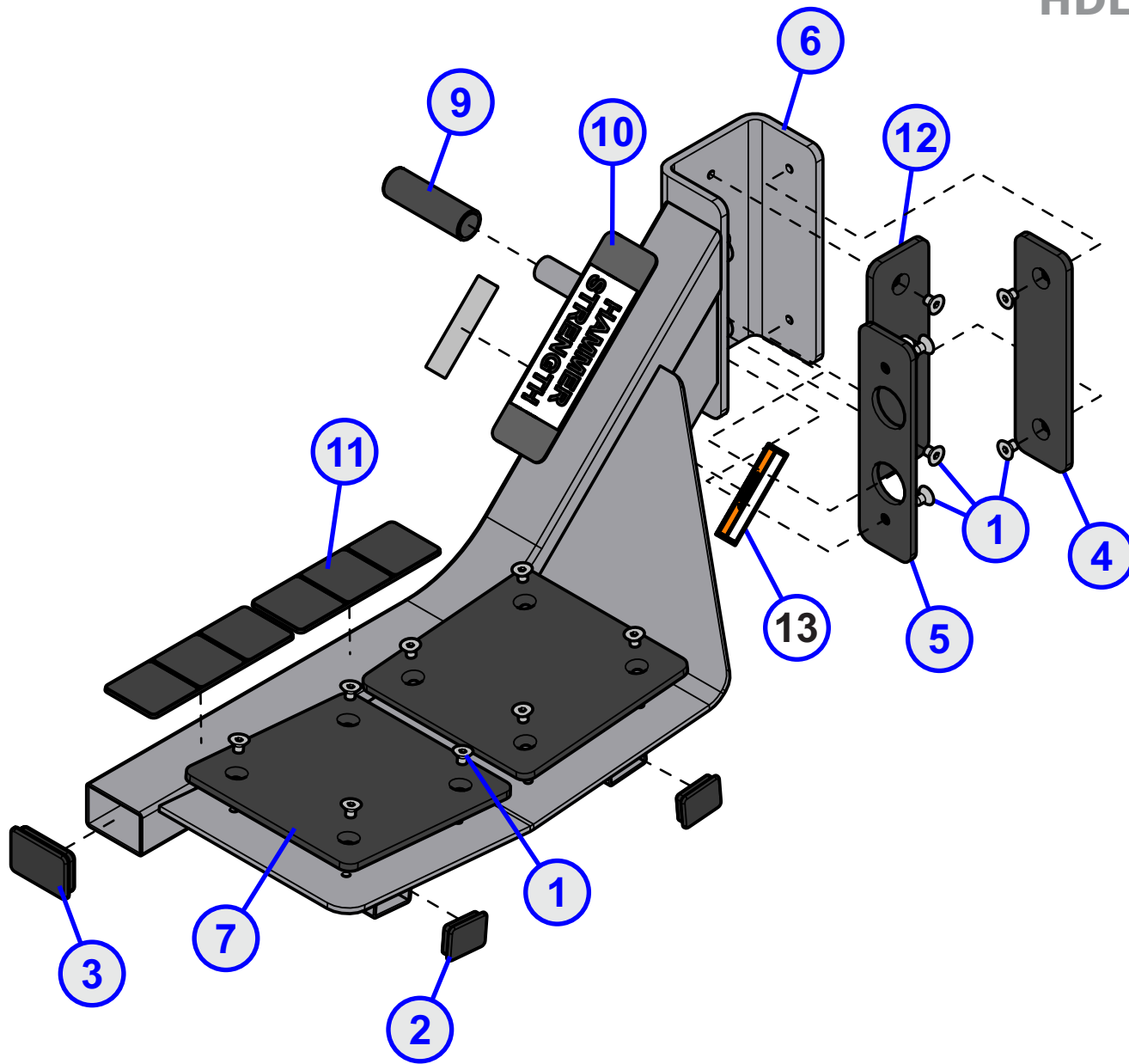
ITEM NO.	QTY.	PART NO.	DESCRIPTION
1	6	3246201	0.375 X 1/2" FLAT HEAD CAP SCREW
2	1	7477401	CAP. END, 1-1/2 X 3, 11GA SGRY
3	2	3119306	CAP, END 1-1/2 DIA, 8-12GA
4	1	9108901	GUARD, PAINT, HDE, 254.0 X 69.3
5	1	9109001	GUARD, PAINT, HDE, 254.0 X 75.6
6	1	9109101	GUARD, PAINT, HDE, 254.0 X 69.3
7	1	9110800	PTD, ASSY, HDE DIP ASSEMBLY



ITEM NO.	QTY.	PART NO.	DESCRIPTION
1	6	3246201	0.375 X 1/2" FLAT HEAD CAP SCREW
2	1	7477401	CAP. END, 1-1/2 X 3, 11GA SGRY
3	2	3119306	CAP, END 1-1/2 DIA, 8-12GA
4	1	9108901	GUARD, PAINT, HDE, 254.0 X 69.3
5	1	9109001	GUARD, PAINT, HDE, 254.0 X 75.6
6	1	9109101	GUARD, PAINT, HDE, 254.0 X 69.3
7	1	9111000	HDE REVERSE DIP ASSEMBLY

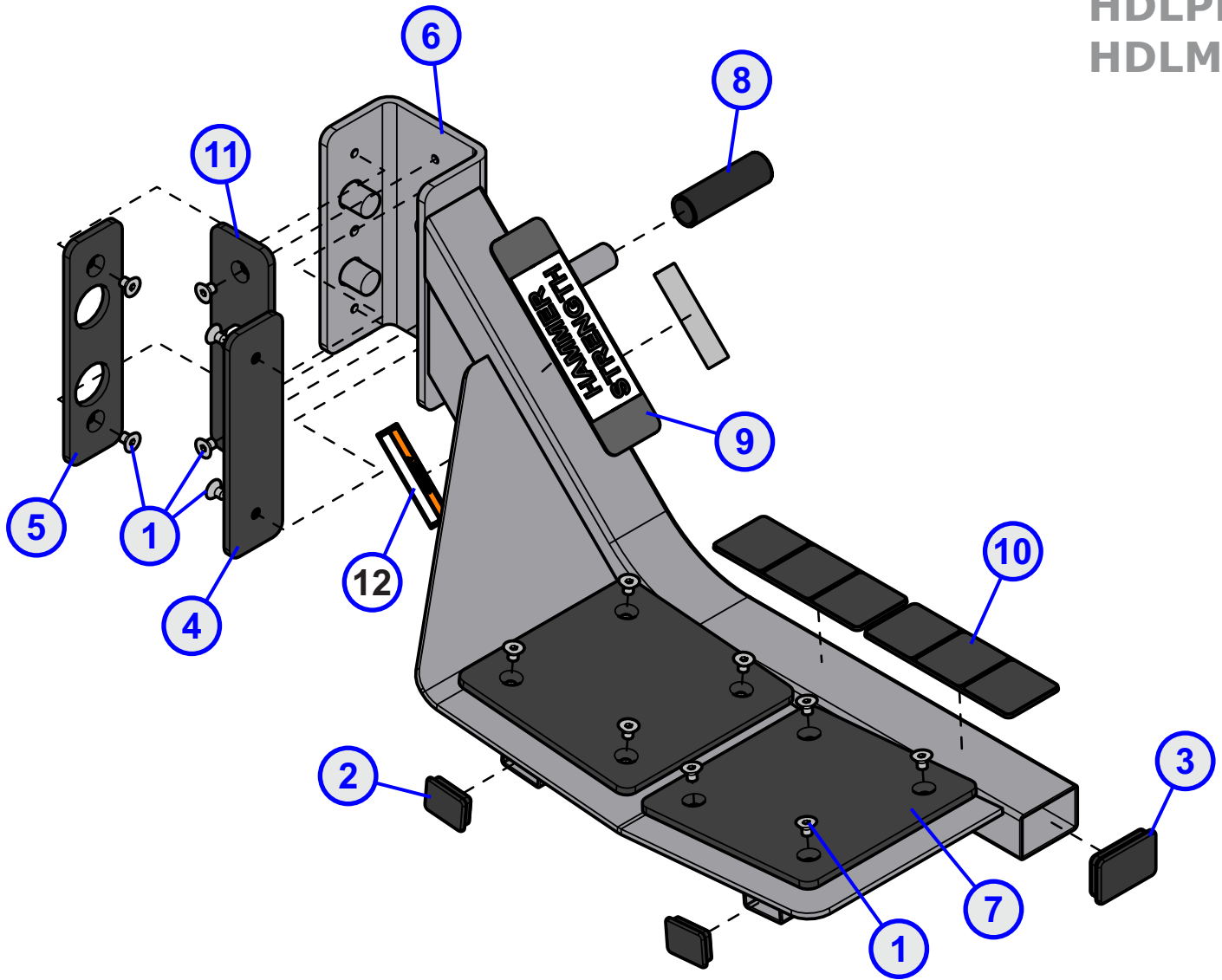


ITEM NO.	QTY.	PART NO.	DESCRIPTION
1	14	3246201	0.375 X 1/2" FLAT HEAD CAP SCREW
2	2	7352201	CAP, END 1-1/2 X 2
3	1	7352301	CAP, END 2 X 3
4	1	9108901	GUARD, PAINT, HDE, 254.0 X 69.3
5	1	9109101	GUARD, PAINT, HDE, 254.0 X 69.3
6	1	9112100	TECH TRAY LEFT, ASSY
7	2	9115401	GUARD, PAINT, HDE 228.6 X 228.6
8	1	H-GRIP	HANDLE GRIPS (.938X16)
9	1	H-NONSKID 3X9	PLASTIC NON SKID STRIP 3 X 9
10	2	H-PLATE-G3	LARGE PLATE GUARD
11	1	9109001	GUARD, PAINT, HDE, 254.0 X 75.6
12	2	91330XX	LABEL, MAX CAPACITY, 485 LBS



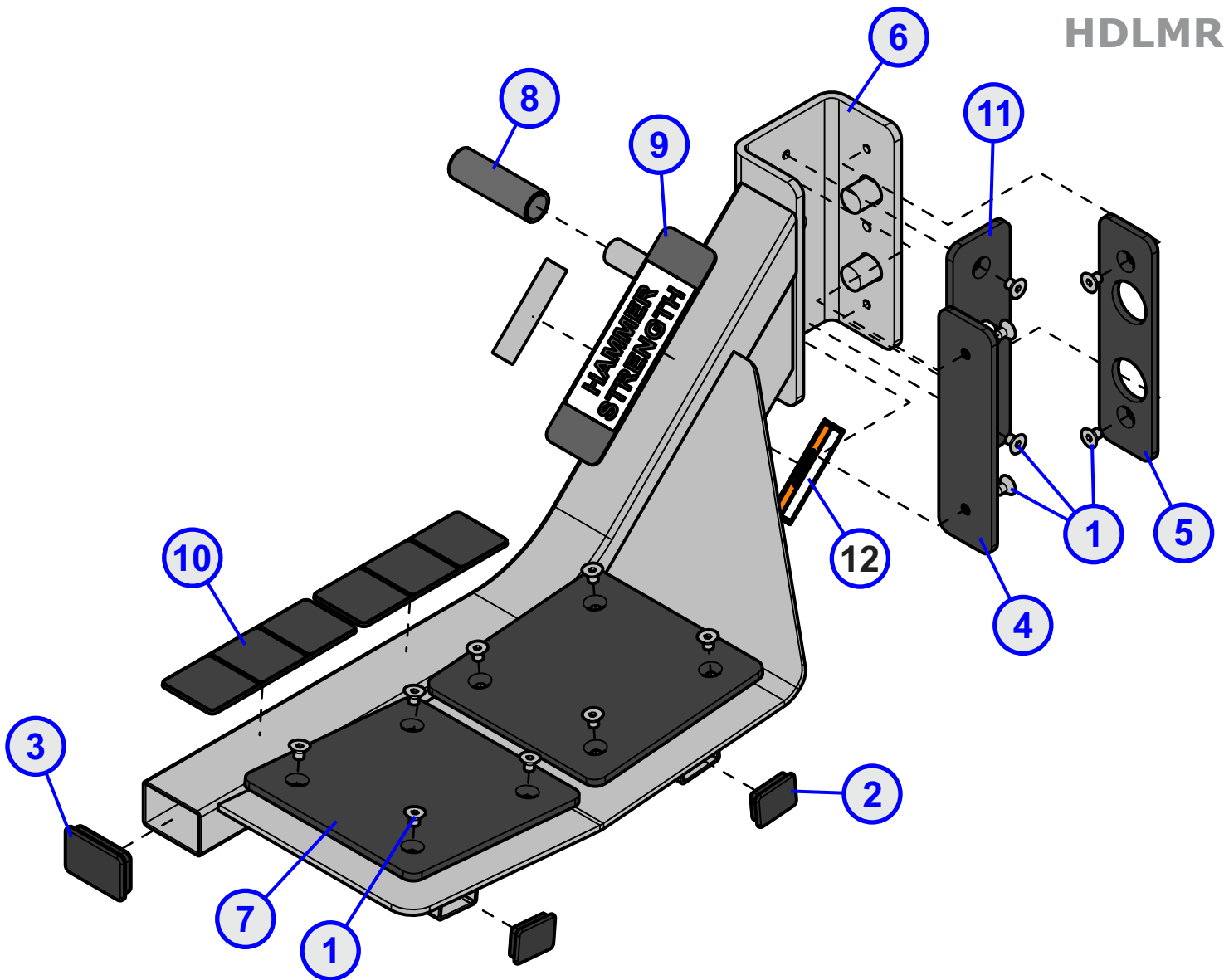
ITEM NO.	QTY.	PART NO.	DESCRIPTION
1	14	3246201	0.375 X 1/2" FLAT HEAD CAP SCREW
2	2	7352201	CAP, END 1-1/2 X 2
3	1	7352301	CAP, END 2 X 3
4	1	9108901	GUARD, PAINT, HDE, 254.0 X 69.3
5	1	9109101	GUARD, PAINT, HDE, 254.0 X 69.3
6	1	9112200	TECH TRAY RIGHT, ASSY
7	2	9115401	GUARD, PAINT, HDE 228.6 X 228.6
9	1	H-GRIP	HANDLE GRIPS (.938X16)
10	1	H-NONSKID 3X9	PLASTIC NON SKID STRIP 3 X 9
11	2	H-PLATE-G3	LARGE PLATE GUARD
12	1	9109001	GUARD, PAINT, HDE, 254.0 X 75.6
13	2	91330XX	LABEL, MAX CAPACITY, 485 LBS

HDLPR
HDLMR

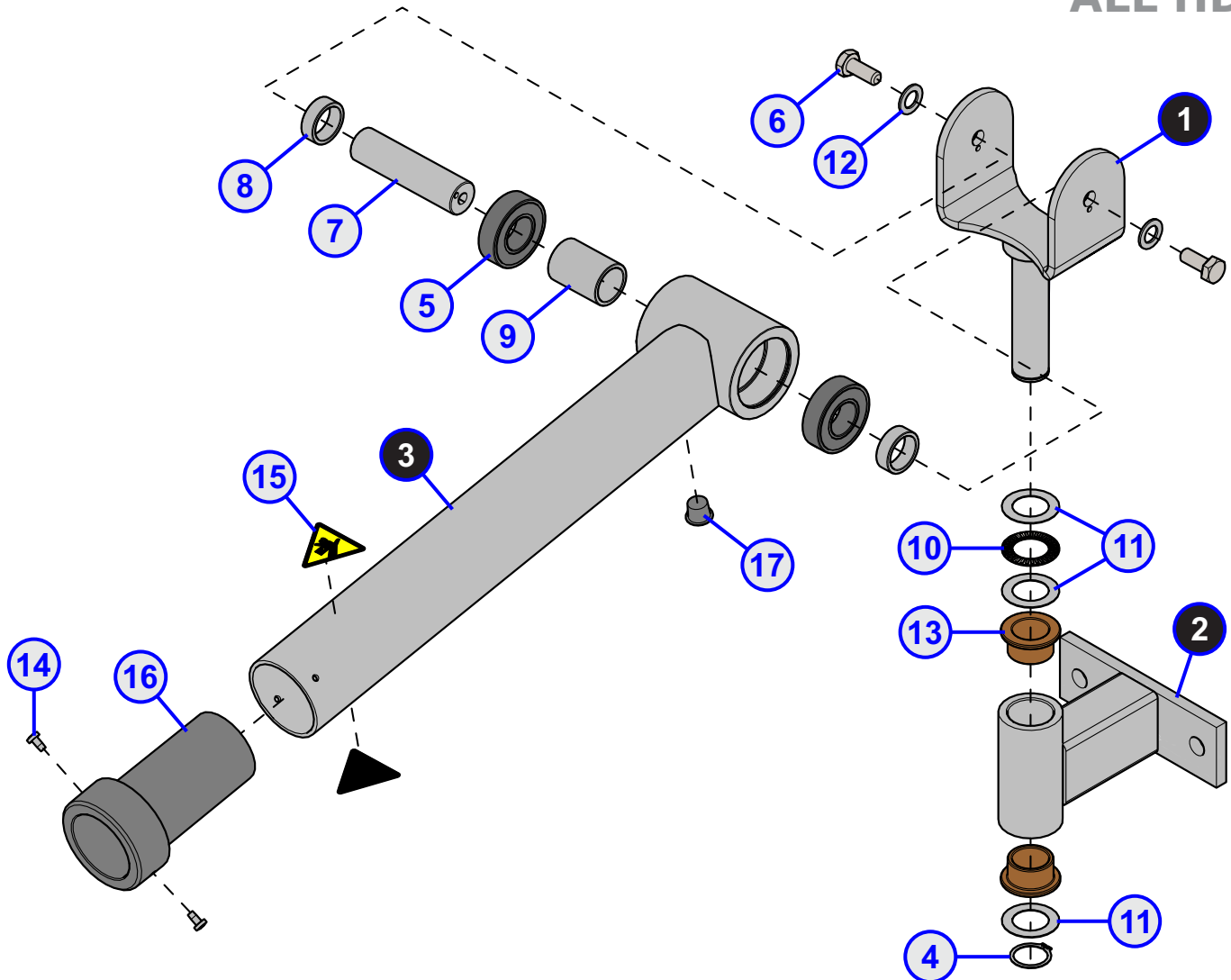


ITEM NO.	QTY.	PART NO.	DESCRIPTION
1	14	3246201	0.375 X 1/2" FLAT HEAD CAP SCREW
2	2	7352201	CAP, END 1-1/2 X 2
3	1	7352301	CAP, END 2 X 3
4	1	9108901	GUARD, PAINT, HDE, 254.0 X 69.3
5	1	9109101	GUARD, PAINT, HDE, 254.0 X 69.3
6	1	9112500	PTD ASSY, REVERSE TECH TRAY LEFT
7	2	9115401	GUARD, PAINT, HDE 228.6 X 228.6
8	1	H-GRIP	HANDLE GRIPS (.938X16)
9	1	H-NONSKID 3X9	PLASTIC NON SKID STRIP 3 X 9
10	2	H-PLATE-G3	LARGE PLATE GUARD
11	1	9109001	GUARD, PAINT, HDE, 254.0 X 75.6
12	2	91330XX	LABEL, MAX CAPACITY, 485 LBS

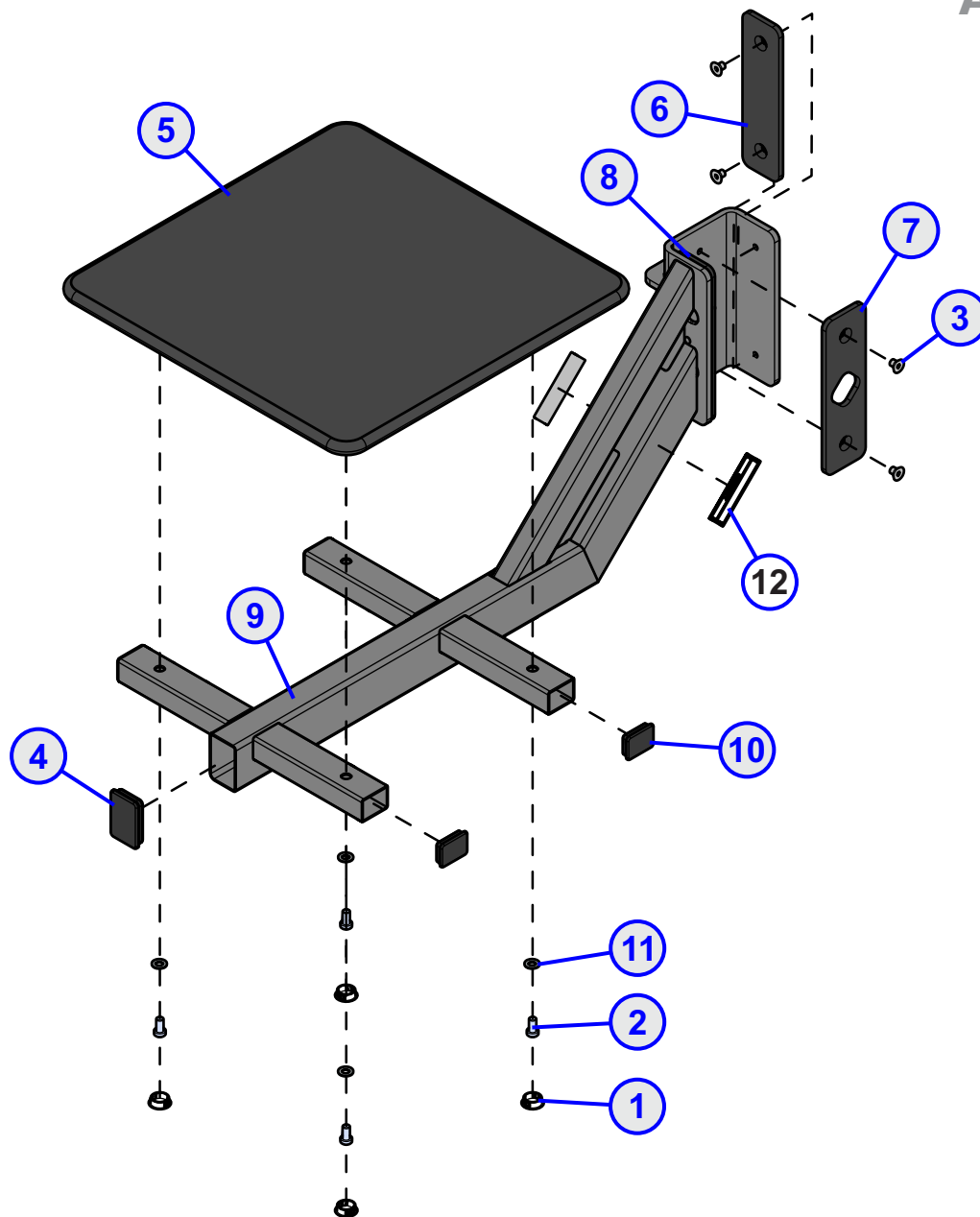
HDLPR
HDLMR



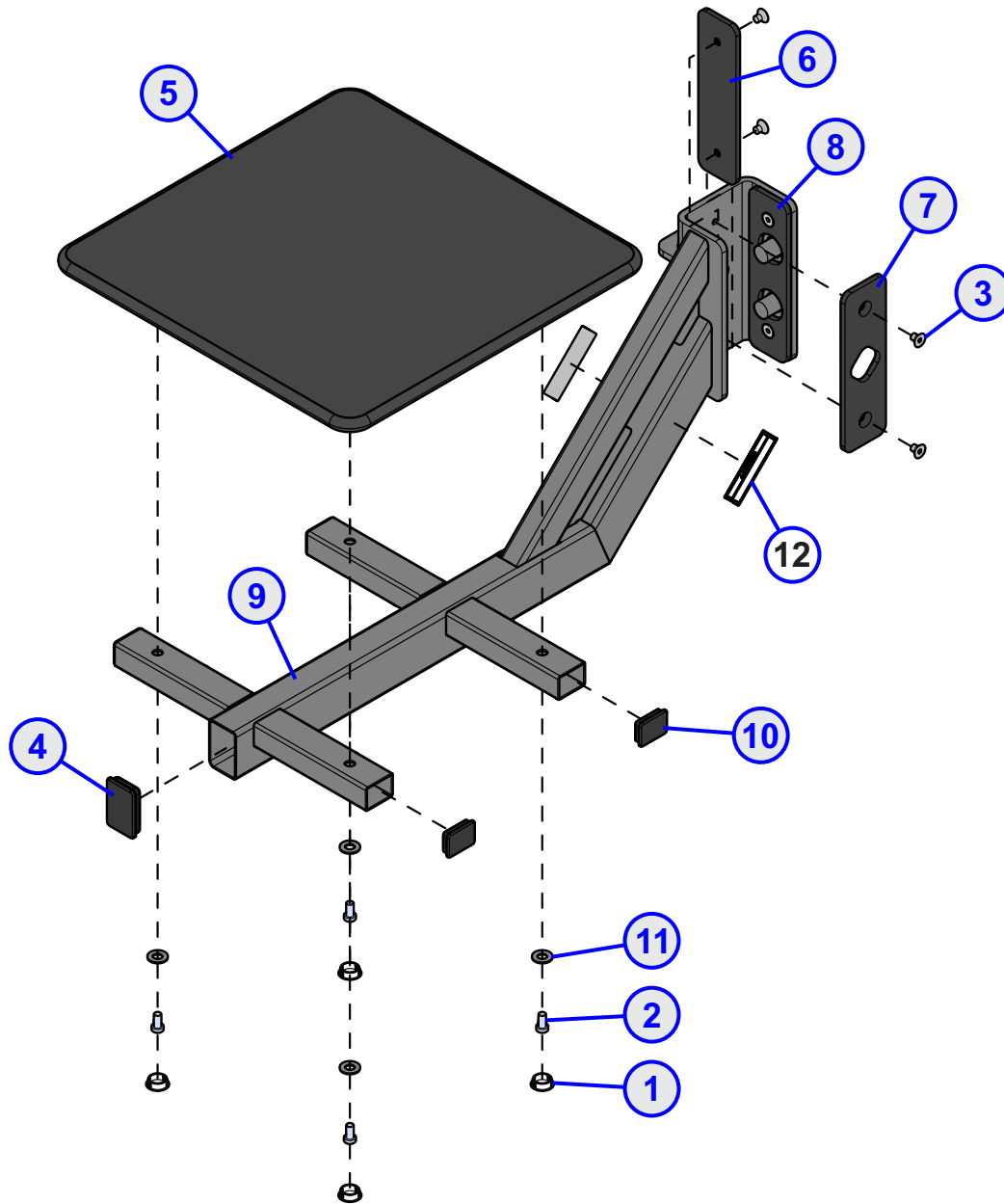
ITEM NO.	QTY.	PART NO.	DESCRIPTION
1	14	3246201	0.375 X 1/2" FLAT HEAD CAP SCREW
2	2	7352201	CAP, END 1-1/2 X 2
3	1	7352301	CAP, END 2 X 3
4	1	9108901	GUARD, PAINT, HDE, 254.0 X 69.3
5	1	9109101	GUARD, PAINT, HDE, 254.0 X 69.3
6	1	9113100	PTD ASSY, REVERSE TECH TRAY RIGHT
7	2	9115401	GUARD, PAINT, HDE 228.6 X 228.6
8	1	H-GRIP	HANDLE GRIPS (.938X16)
9	1	H-NONSKID 3X9	PLASTIC NON SKID STRIP 3 X 9
10	2	H-PLATE-G3	LARGE PLATE GUARD
11	1	9109001	GUARD, PAINT, HDE, 254.0 X 75.6
12	2	91330XX	LABEL, MAX CAPACITY, 485 LBS



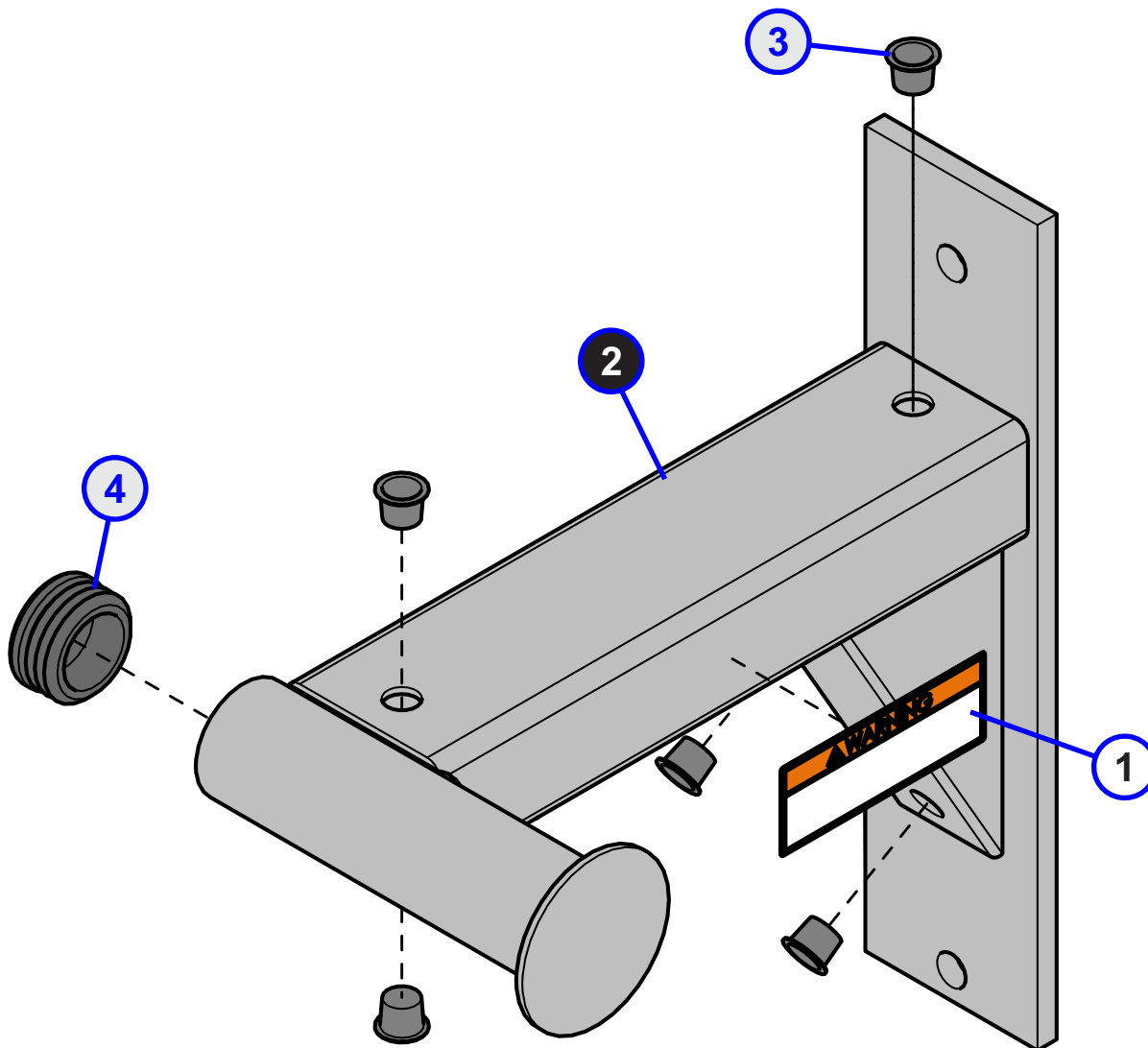
ITEM NO.	QTY.	PART NO.	DESCRIPTION
1	1	1002654-0000	WLDMT, AT-PP, PIVOT
2	1	1009620-0000	WLDMT: HOUSING
3	1	1002653-0000	WLDMT, AT-PP, WORK ARM
4	1	3232421	RING, BRE .940, 5100-100 ST PP B
5	2	3235601	BEARING, 6205 BALL
6	2	3251202	SCREW, M10 X1.5 X 25MM UNS HEX CS ST ZN
7	1	7316501	SHAFT, 25MM X 3.750
8	2	7330011	SPACER, INTERNAL X .425
9	1	7330006	SPACER, INTERNAL X 1.765
10	1	9117301	BEARING, THRUST NEEDLE-ROLLER, 1 IN. ID
11	3	9117401	WASHER, THRUST NEEDLE ROLLER, 1IN, ID
12	2	WASH.5STAR	1/2" INTERNAL LOCK WASHER
13	2	1002878-0003	1.00" ID 1.25" OD BRONZ BUSHING
14	2	3270601	SCREW, #10-32 X 3/8 TRX PAN ST BZ
15	2	8039501	LABEL, WARNING TRIANGLE
16	1	9045101	CAP, HDE, LANDMINE, WORK ARM
17	1	H-HPLUG(REG)	9/16IN HOLE PLUG



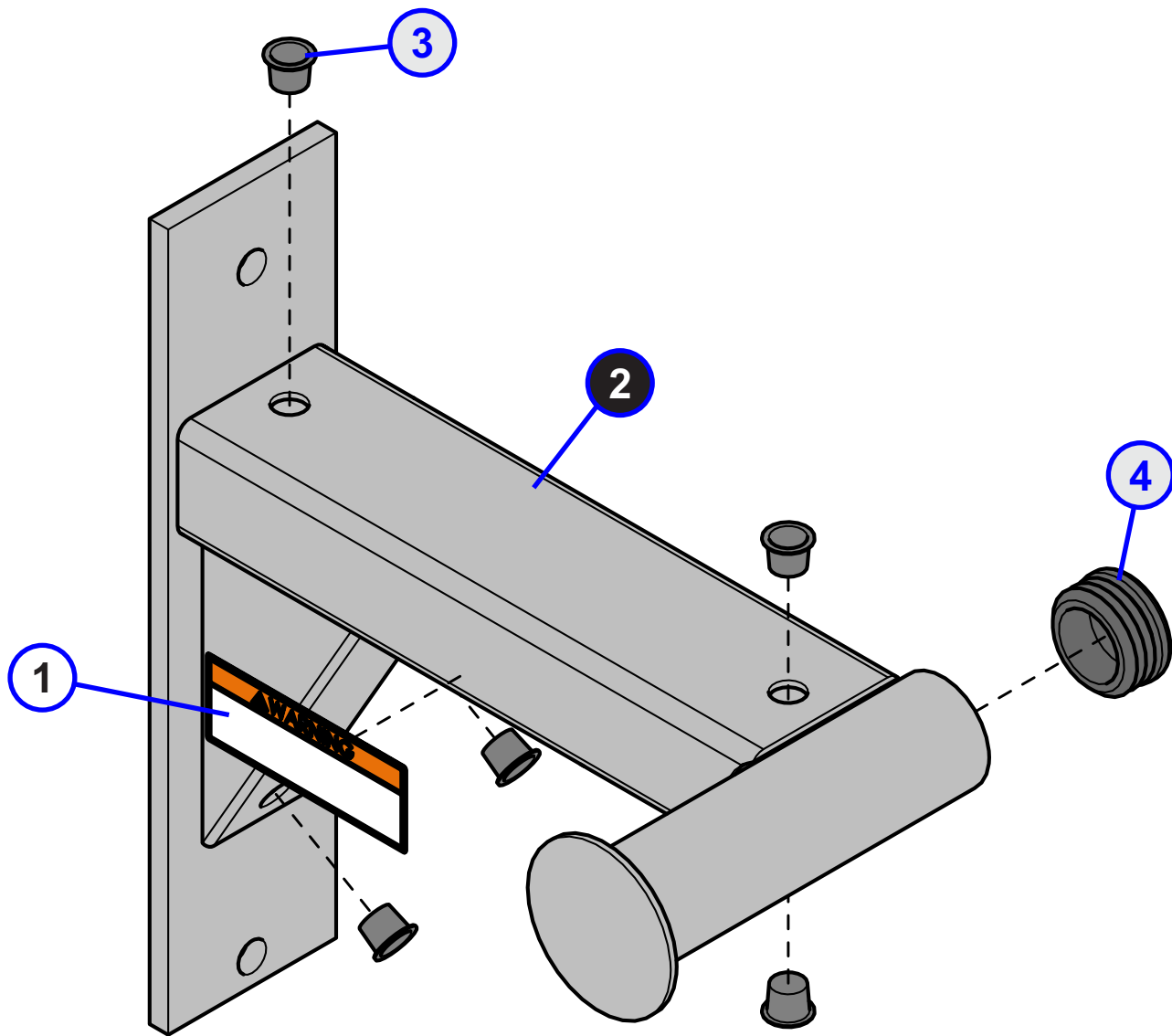
ITEM NO.	QTY.	PART NO.	DESCRIPTION
1	4	3236201	SCREW, M10 X1.5 20MM
2	4	WASH.375SAE	3/8" SAE FLAT WASHER
3	6	3246201	0.375 X 1/2" FLAT HEAD CAP SCREW
4	1	7352301	CAP, END 2 X 3
5	1	9058501	FOOT PLATE, FXT, STEP UP
6	1	9108901	GUARD, PAINT, HDE, 254.0 X 69.3
7	1	9109001	GUARD, PAINT, HDE, 254.0 X 75.6
8	1	9109101	GUARD, PAINT, HDE, 254.0 X 69.3
9	1	9191793	WLDMT, HDESTP
10	4	7352201	CAP, END 1-1/2 X 2
11	4	3237403	PLUG, 1" HOLE
12	2	1001280-0001	LABEL, MAX CAPACITY, 600 LB - ENGLISH
		1001281-0001	LABEL, MAX CAPACITY, 600 LB - ALL LANG.



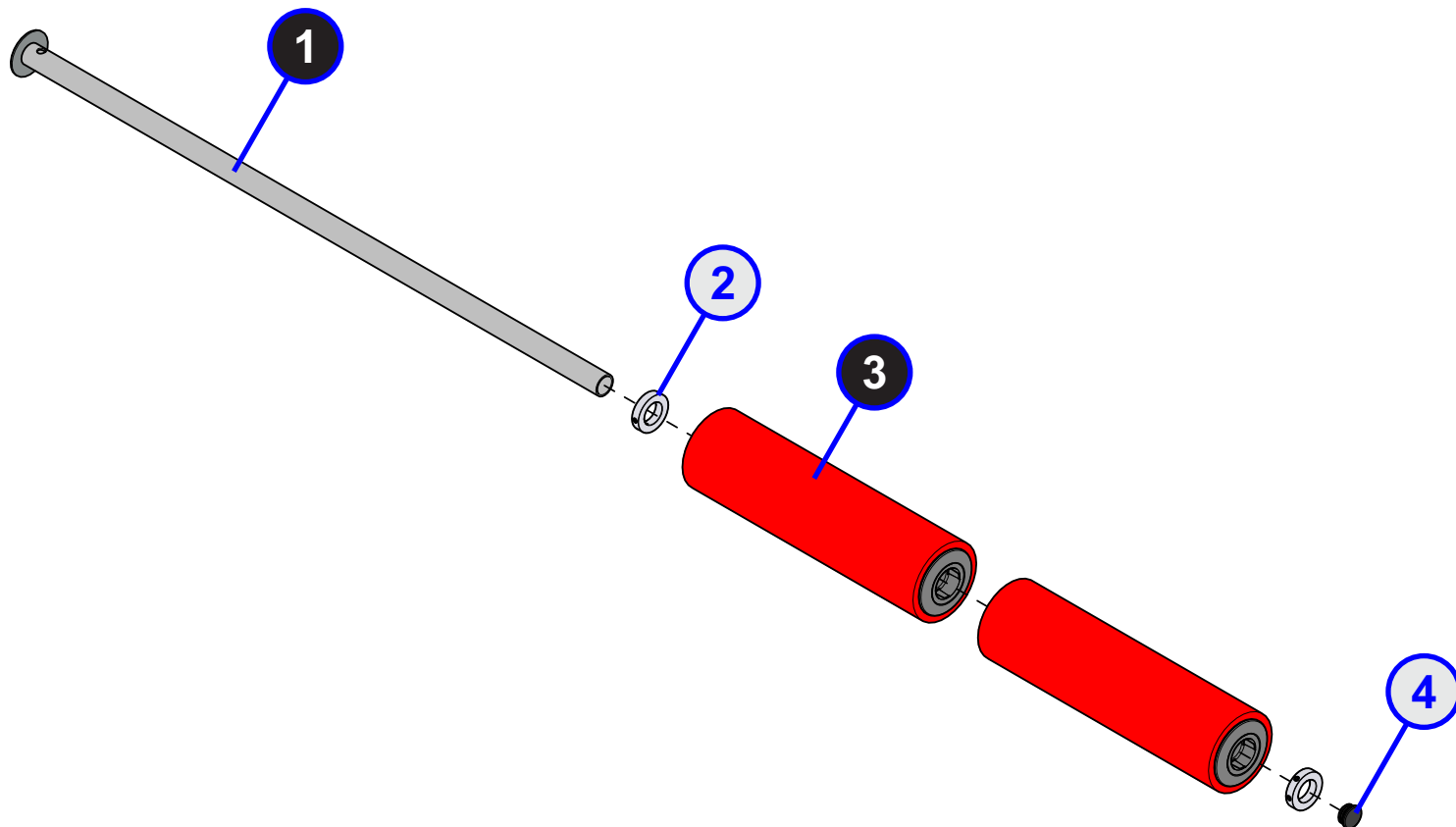
ITEM NO.	QTY.	PART NO.	DESCRIPTION
1	4	3236201	SCREW, M10 X1.5 20MM
2	4	WASH.5SAE	1/2" SAE FLAT WASHER
3	6	3246201	0.375 X 1/2" FLAT HEAD CAP SCREW
4	1	7352301	CAP, END 2 X 3
5	1	9058501	FOOT PLATE, FXT, STEP UP
6	1	9108901	GUARD, PAINT, HDE, 254.0 X 69.3
7	1	9109001	GUARD, PAINT, HDE, 254.0 X 75.6
8	1	9109101	GUARD, PAINT, HDE, 254.0 X 69.3
9	1	9192293	WLDMT, HDERSTP
10	4	7352201	CAP, END 1-1/2 X 2
11	4	3237403	PLUG, 1" HOLE
12	2	1001280-0001	LABEL, MAX CAPACITY, 600 LB - ENGLISH
		1001281-0001	LABEL, MAX CAPACITY, 600 LB - ALL LANG.



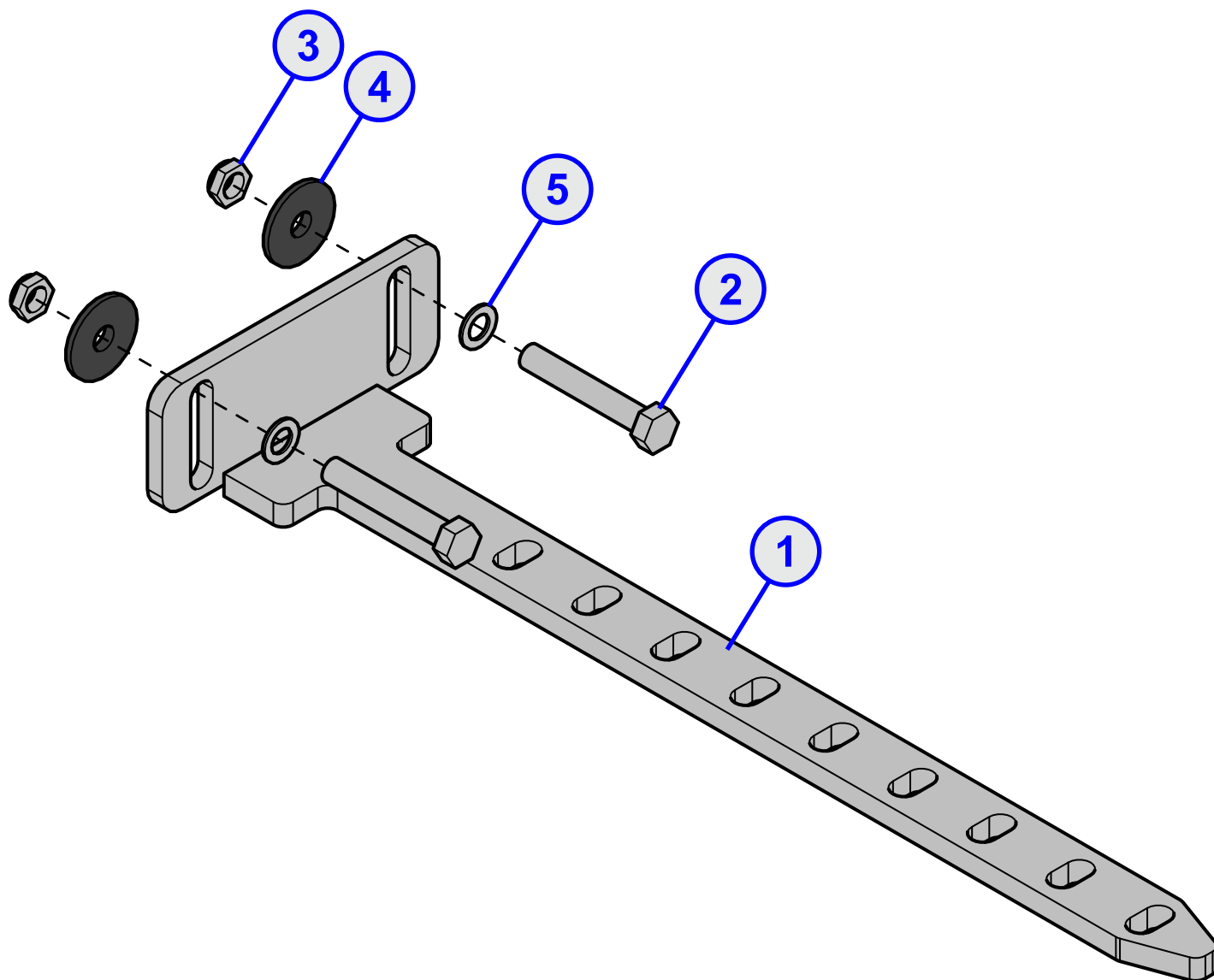
ITEM NO.	QTY.	PART NO.	DESCRIPTION
1	1	9223101	LABEL, MAX CAPACITY, 200 LB -ALL
2	1	9212600	WLDMT, HDE, BAND PEG, LT
3	5	H-HPLUG(REG)	H-PLUG 9-16
4	1	3119306	CAP, END 1-1/2 DIA, 8-12GA



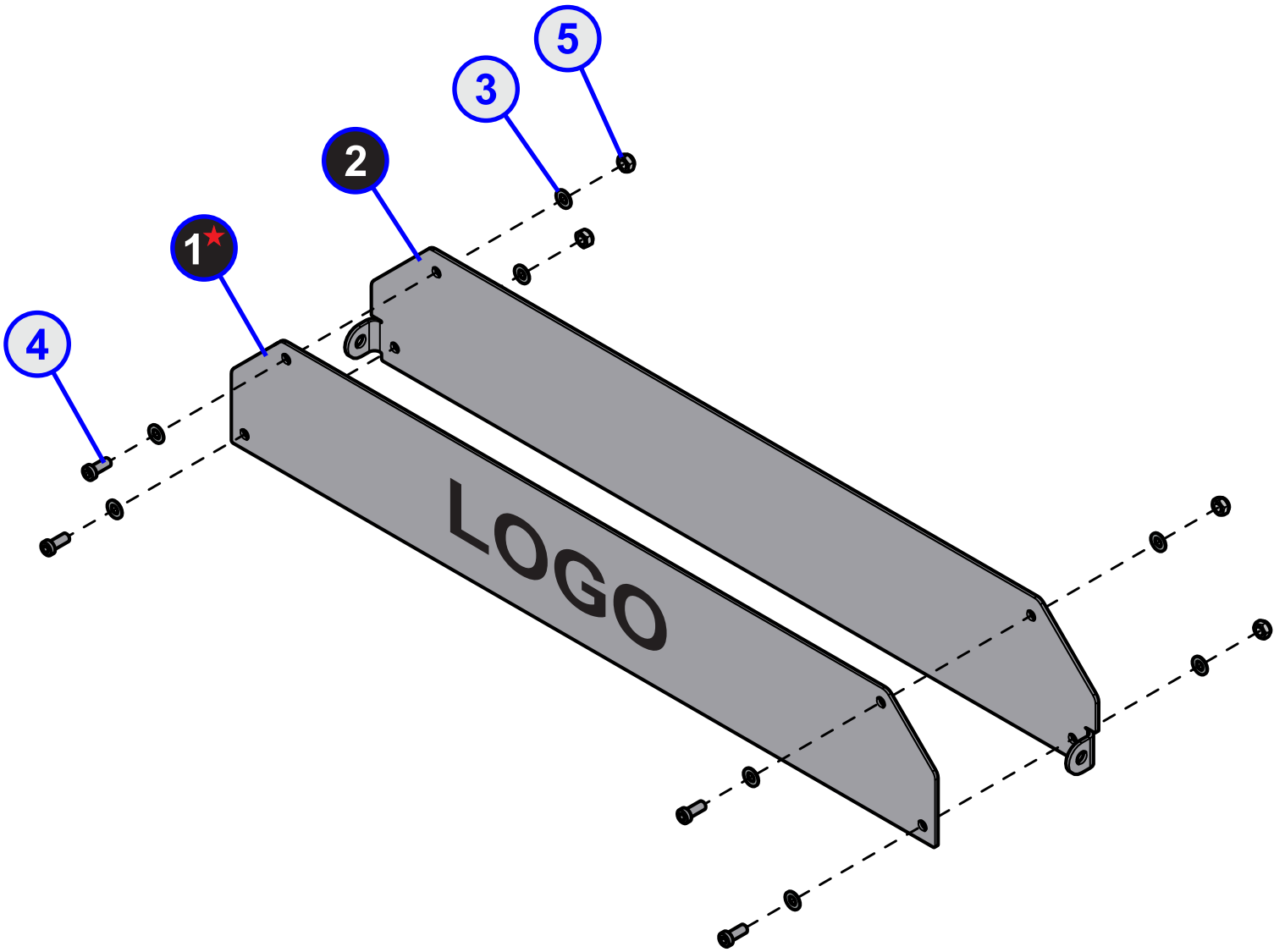
ITEM NO.	QTY.	PART NO.	DESCRIPTION
1	1	9223101	LABEL, MAX CAPACITY, 200 LB -ALL
2	1	9212900	WLDMT, HDE, BAND PEG, RT
3	5	H-HPLUG(REG)	H-PLUG 9-16
4	1	3119306	CAP, END 1-1/2 DIA, 8-12GA



ITEM NO.	QTY.	PART NO.	DESCRIPTION
1	1	9139700	WLDMT, HDESLS
2	2	7357901	SHAFT COLLAR, 1-1/2" ID ALUM
3	2	7392801	ASSY, ROLLER PAD - LONG
4	1	3119306	CAP, END 1-1/2 DIA, 8-12GA

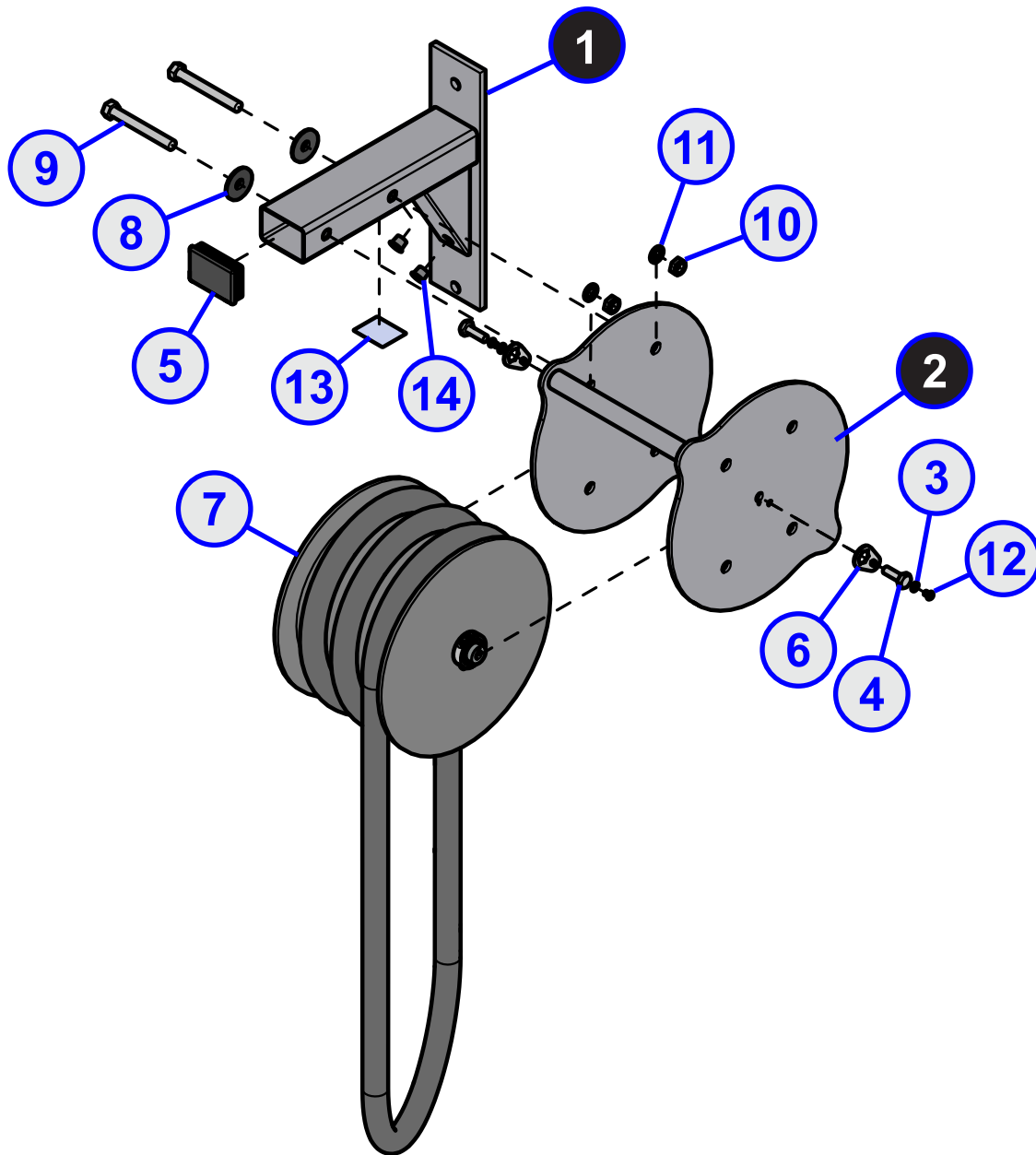


ITEM NO.	QTY.	PART NO.	DESCRIPTION
1	1	9125100	WLDMT, DOCK-LOCK
2	2	HHB.5X3.5	1/2" X 3-1/2 BOLT
3	2	NUT.5LOCK	1/2" THICK LOCK NUT
4	2	H-BACK-WASH	BACKING WASHER
5	2	WASH.5STAR	1/2" INTERNAL LOCK WASHER

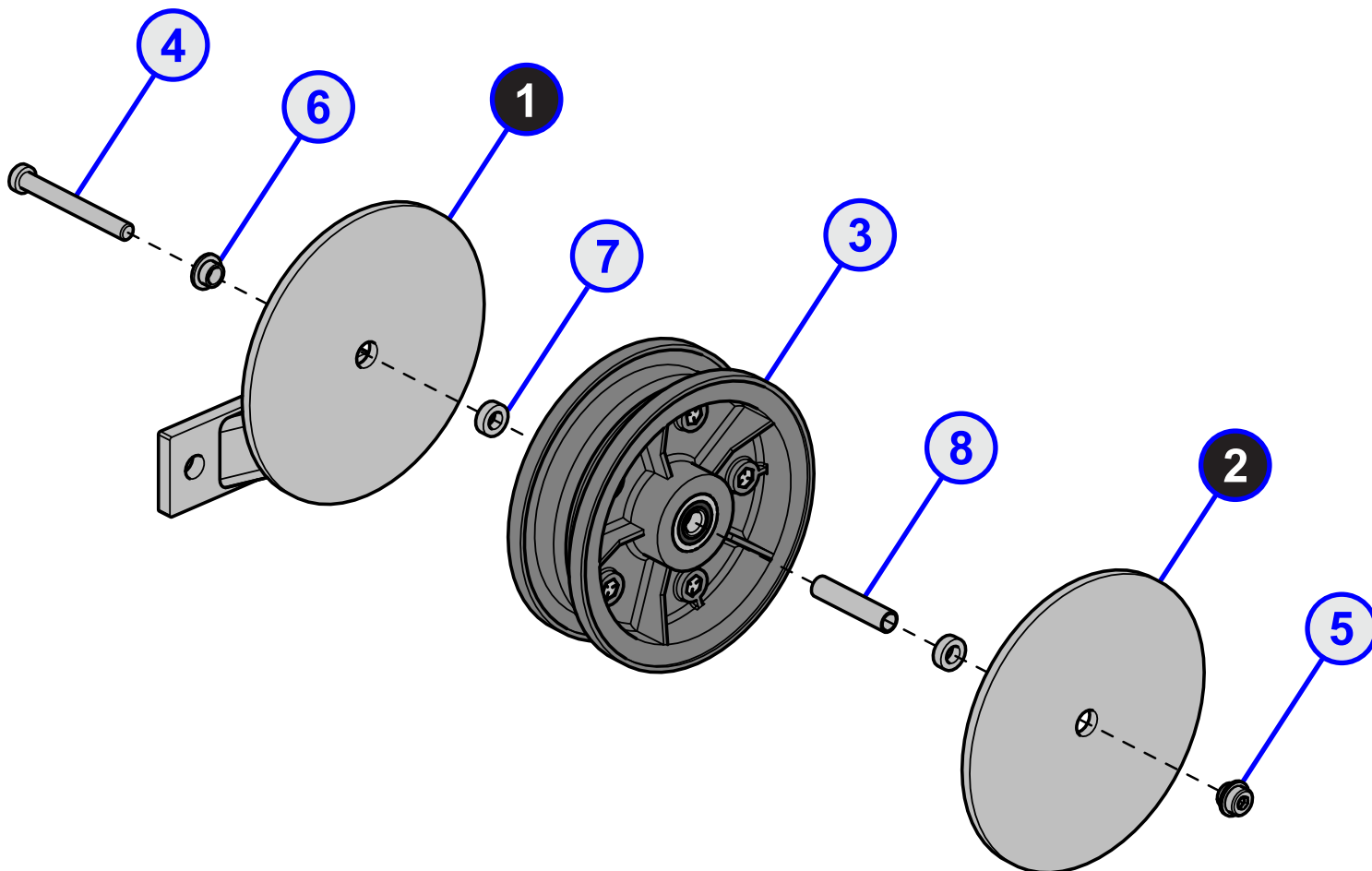


ITEM NO.	QTY.	PART NO.	DESCRIPTION
1★	1	1000615-0001	PLATE, HDL, BRANDING BLANK
2	1	1000613-0001	PLATE, HDL, BRANDING BACKER
3	8	WASH.375SAE	3/8" SAE FLAT WASHER
4	4	3236202	SCREW, M10 X1.5 25MM
5	4	3236801	NUT, M10 HEX NYLOCK SS

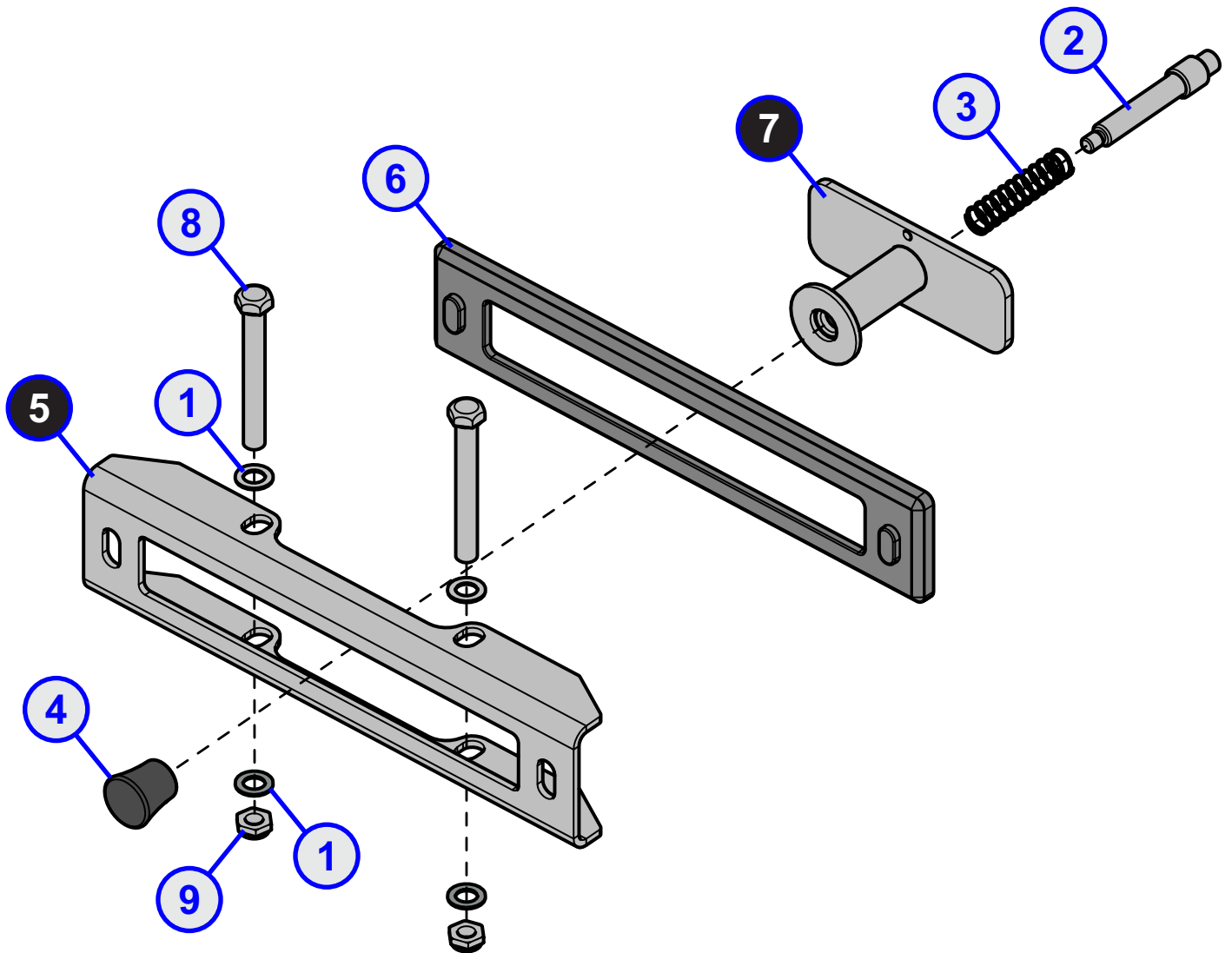
★ CUSTOM ITEM; REFER TO ORIGINAL PO



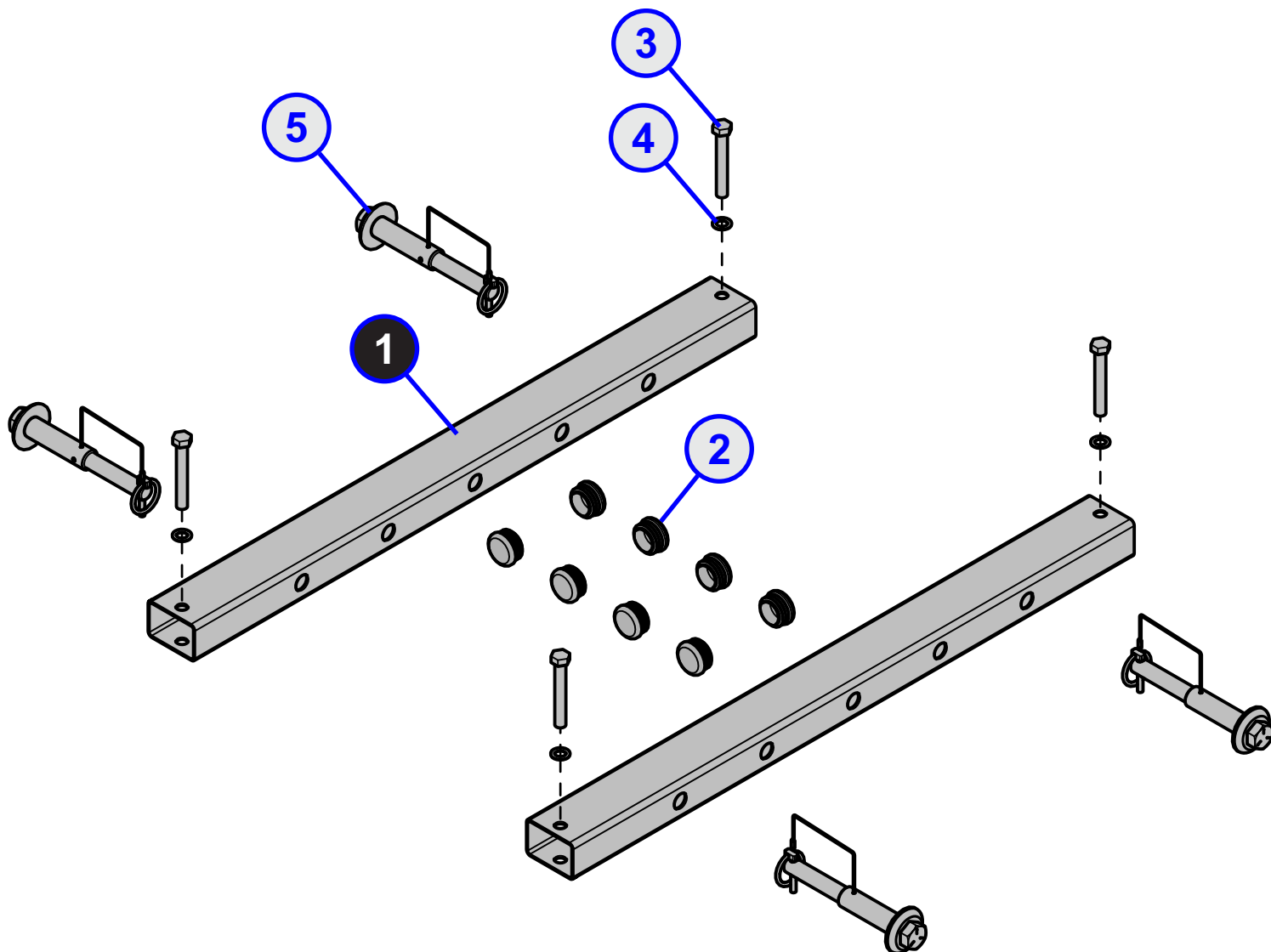
ITEM NO.	QTY.	PART NO.	DESCRIPTION
1	1	1002063-0000	WLDMT, HDL, ROPE PULL
2	1	1002064-0000	WLDMT, HDL, ROPE PULL
3	2	3264101	WASHER, M6
4	2	3270507	SCREW, M10 X 1.5 - 30MM, HEX HD
5	1	6692601	CAP, END 3 X 2 10-14GA
6	2	8852201	SHEET, BOLT RETAINER
7	1	9578801	ASSY, FXT, ROPE PULL DRUM
8	2	H-BACK-WASH	BACKING WASHER
9	2	HHB.5X4	1/2 X 4 BOLT
10	2	NUT.5JAMLOCK	1/2 THIN LOCK NUT
11	2	WASH.5STAR	1/2" INTERNAL LOCK WASHER
12	2	3252801	M6-1.0 X 8 HXS BUT CS ST ZN
13	1	-	SERIAL NUMBER LABEL
14	2	H-HPLUG(REG)	9/16 IN. HOLE PLUG



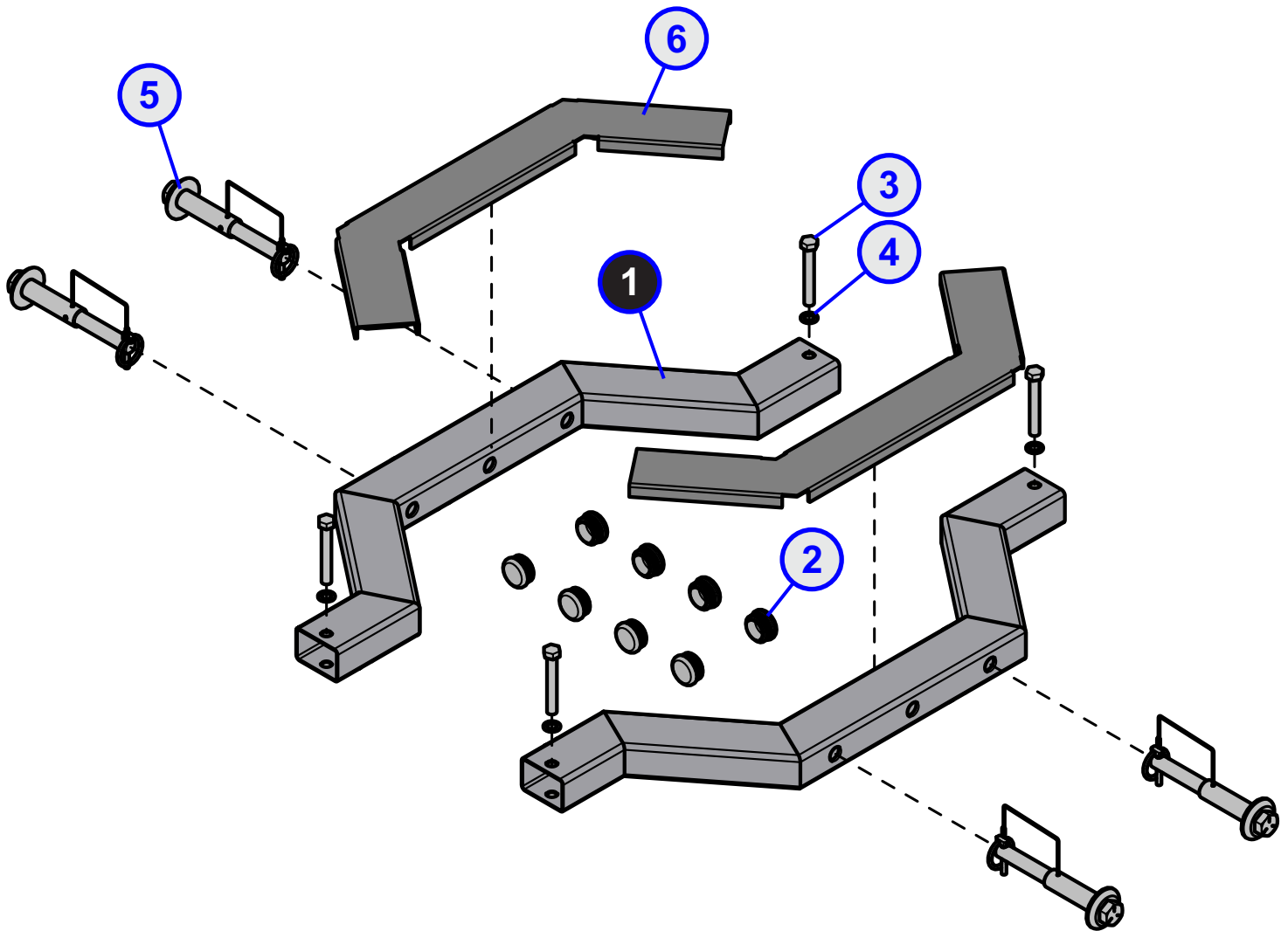
ITEM NO.	QTY.	PART NO.	DESCRIPTION
1	1	1002157-0000	WLDMT, HDL, ROPE PULL, LOW
2	1	1003725-0001	PLATE, ROPE PULL, LOW
3	1	1002264-0001	ASSY, PULLEY, ROPE PULL
4	1	3236214	SCREW, M10 X1.5 85MM
5	1	7335401	NUT, M10 X 1.5 SOCKET HEAD
6	1	7630101	RETAINER, CM/MJ PULLEY
7	2	7385201	SPACER, .406 X .750 X .250
8	1	1004369-0001	BSHNG, ROPE PULL, PULLEY



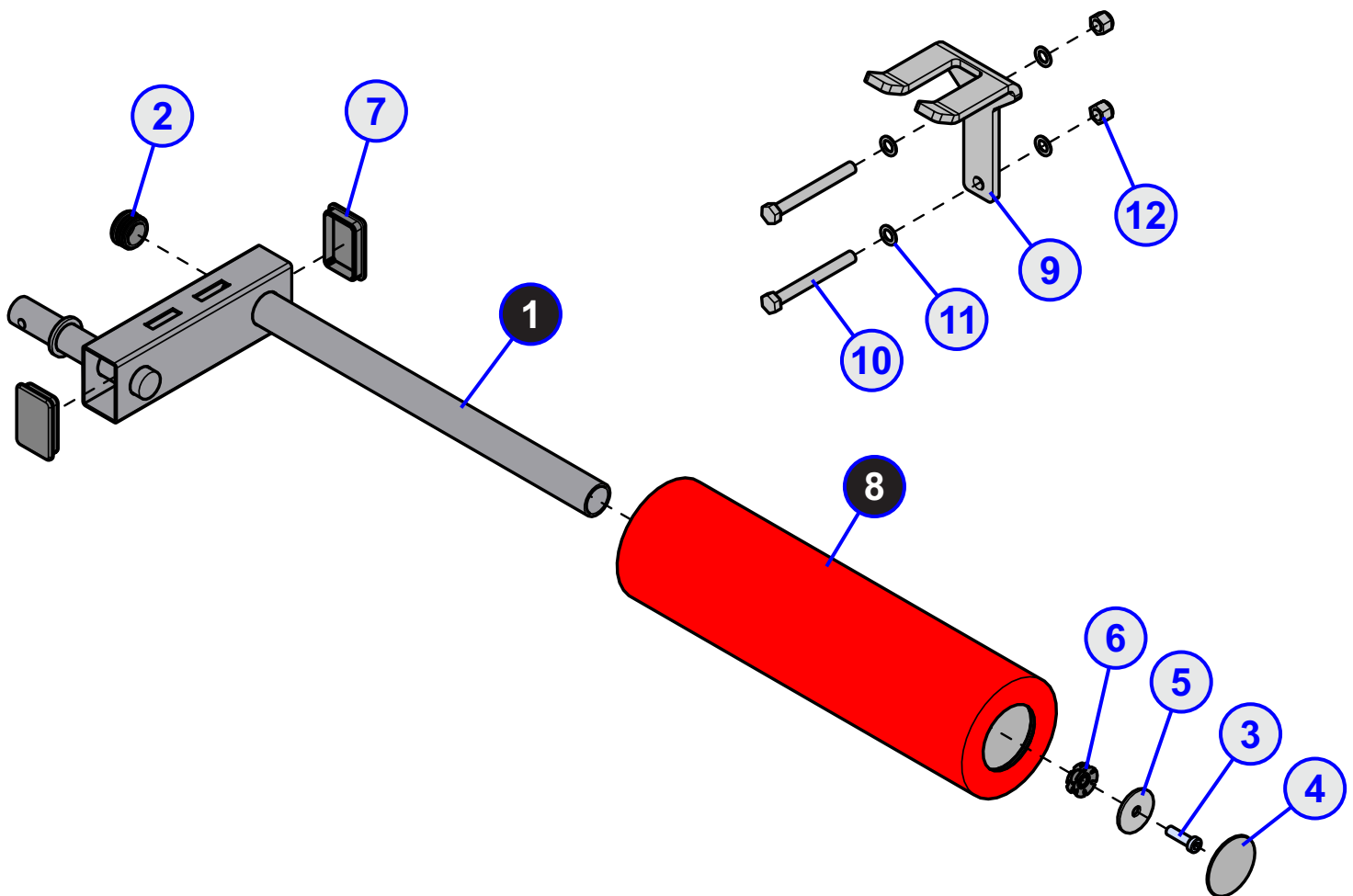
ITEM NO.	QTY.	PART NO.	DESCRIPTION
1	4	WASH.5STAR	1/2" INTERNAL LOCK WASHER
2	1	7351301	PIN, PULL X 4.375
3	1	7351501	SPRING, PULL PIN LARGE
4	1	8048001	KNOB, TULIP STYLE
5	1	9140601	BRKT, HDE, ADJ BAND PEG
6	1	9124301	GUIDE, HDE, ADJ BAND PEG
7	1	9021800	WLDMT, HDE, ADJ BAND PEG
8	2	3239316	1/2-13 X 4.00 UNS HEX FHB G5 ZN
9	2	3102804	NUT, NYLOCK-JAM 1/2-13 ST ZN



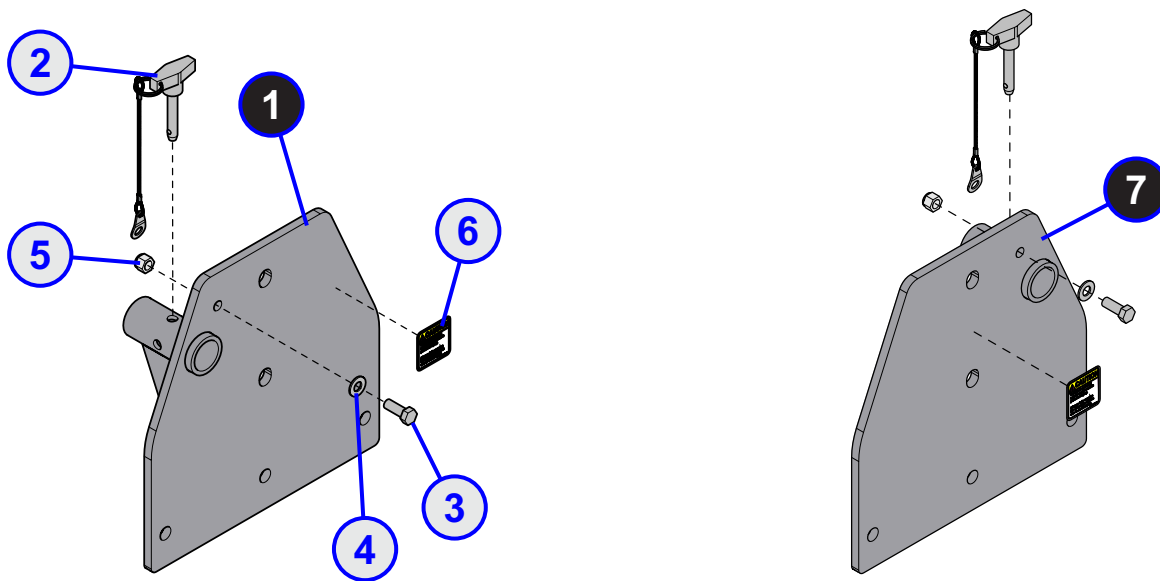
ITEM NO.	QTY.	PART NO.	DESCRIPTION
1	2	1006653-0000	TUBE: HDLPBP
2	8	3119307	CAP, END ROUND
3	4	HHB.5X3.5	1/2 X 3 1/2 BOLT
4	4	WASH.5STAR	1/2" INTERNAL LOCK WASHER
5	2	1002657-0001	ASSY, BAND PEG, SRT, SET



ITEM NO.	QTY.	PART NO.	DESCRIPTION
1	2	1006776-0000	WLDMT: HDLPSBP
2	8	3119307	CAP, END ROUND
3	4	HHB.5X3.5	1/2 X 3 1/2 BOLT
4	4	WASH.5STAR	1/2" INTERNAL LOCK WASHER
5	2	1002657-0001	ASSY, BAND PEG, SRT, SET
6	2	8797500	ASSY, HDE SUMO PAINT GUARD

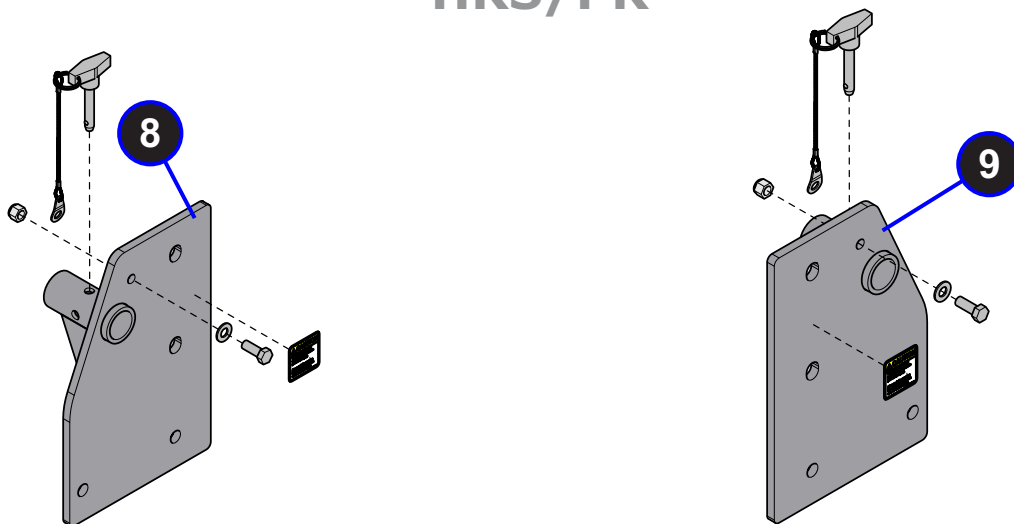


ITEM NO.	QTY.	PART NO.	DESCRIPTION
1	1	1006733-0000	WLDMT: WORK ARM, HDL-NH
2	1	3119306	CAP, END 1.50 DIA RD 8-12 GA
3	1	3236209	SCREW, SCREW, M10 X1.5 60MM
4	1	7308701	CAP, BEARING HOUSING
5	1	7322301	PLATE, 1.97 OD X .44 ID 10GA
6	1	7347301	NUT, SPIDER M10 X 1.5
7	2	7352301	CAP, END 2 X 3
8	1	73928XX	ASSY, ROLLER PAD LONG
9	1	1006724-0000	BRACKET: STORAGE, HDL-NH
10	2	HHB.5X4.5	1/2 X 4 1/2 BOLT
11	4	WASH.5STAR	1/2" INTERNAL LOCK WASHER
12	2	NUT.5LOCK	1/2 DIA THICK LOCK NUT

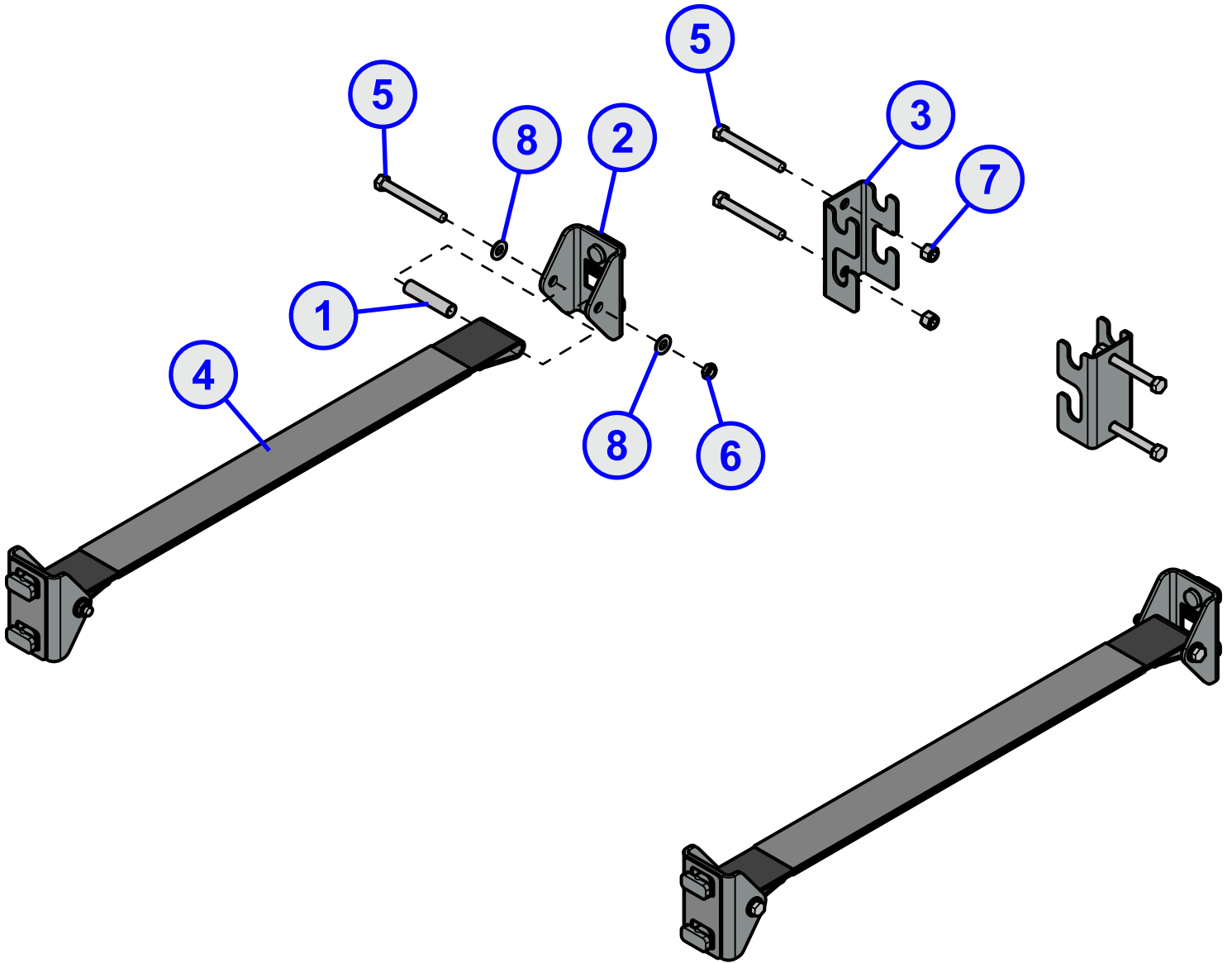


HRL/MR/PR

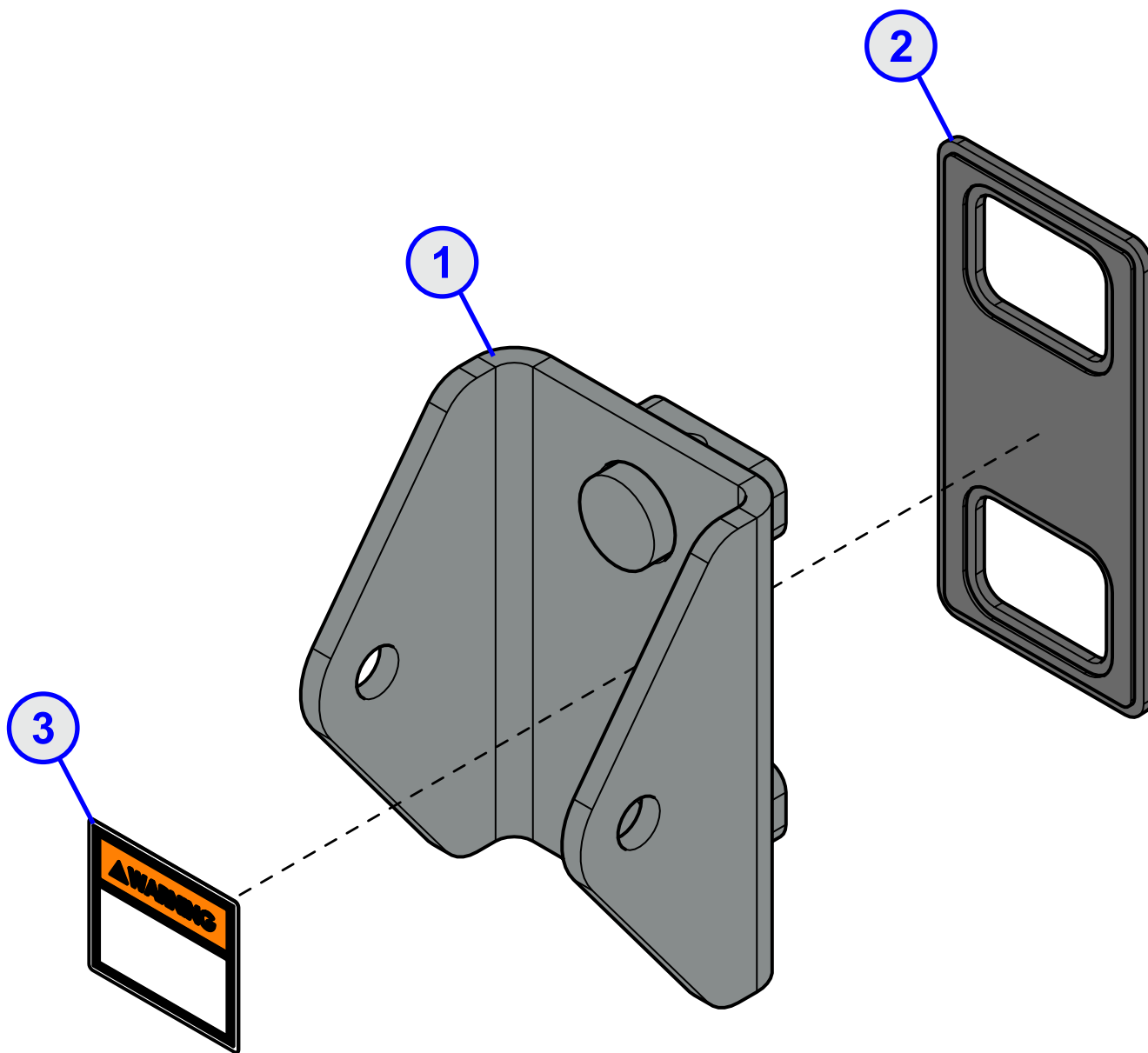
HRS/PR



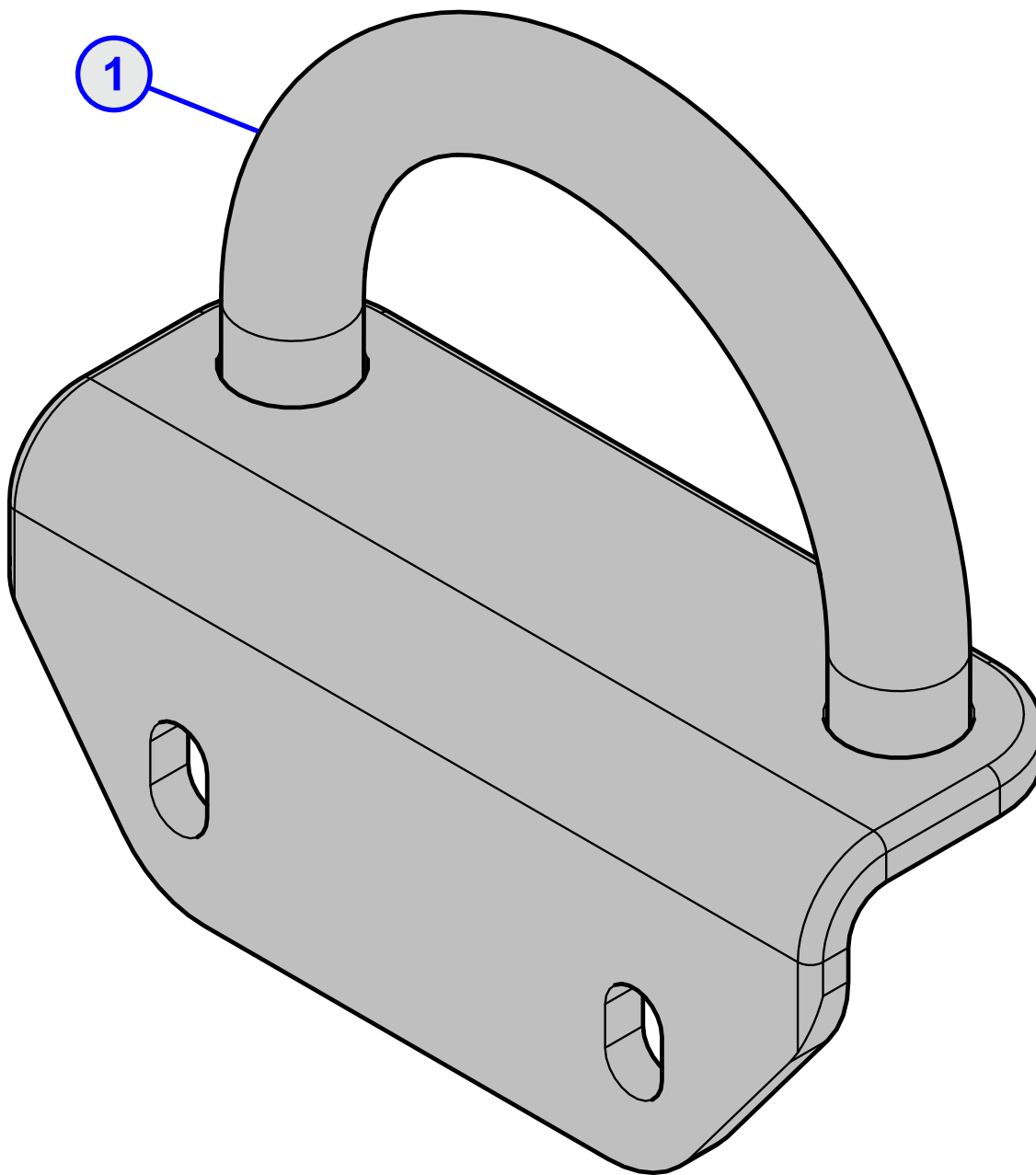
ITEM NO.	QTY.	PART NO.	DESCRIPTION
1	1	1007272-0000	WLDMT: LEFT, HDL-ANVL-LB
2	1	SELECTORPIN-2	SELECTOR PIN 1.7 IN. W/LANYARD
3	1	HHB.375X1	STEEL BOLT 3/8 X 1
4	1	WASH.375SAE	3/8" SAE FLAT WASHER
5	1	NUT.375LOCK	3/8 THICK LOCK NUT
6	1	8500-025-4	DECAL: CAUTION
7	1	1007271-0000	WLDMT: RIGHT, HDL-ANVL-LB
8	1	1006739-0000	WLDMT: LEFT, HDL-ANVL-SB
9	1	1006738-0000	WLDMT: RIGHT, HDL-ANVL-SB



ITEM NO.	QTY.	PART NO.	DESCRIPTION
1	4	1001972-0002	SPACER: 3/4 OD, 3-1/4
2	4	1006916-0000	ASSEMBLY: HDLPR-FBC, BRKT
3	2	1006951-0001	BRACKET: HDLPR-FBC, STORAGE
4	2	1007083-0001	STRAP: FBC, PR
5	8	HHB.5X4.5	1/2 X 4 1/2 BOLT
6	4	NUT.5JAMFINE	1/2IN JAM NUT FINE
7	4	NUT.5LOCK	1/2 DIA THICK LOCK NUT
8	8	WASH.5SAE	1/2" SAE FLAT WASHER



ITEM NO.	QTY.	PART NO.	DESCRIPTION
1	1	1006675-0000	WLDMT: HDLPR-FBC, BRKT
2	1	1006917-0001	GUARD: PAINT, 2-3/4 X 5-1/2
3	1	1006928-0001	LABEL: HDLPR-FBC, OFFSET

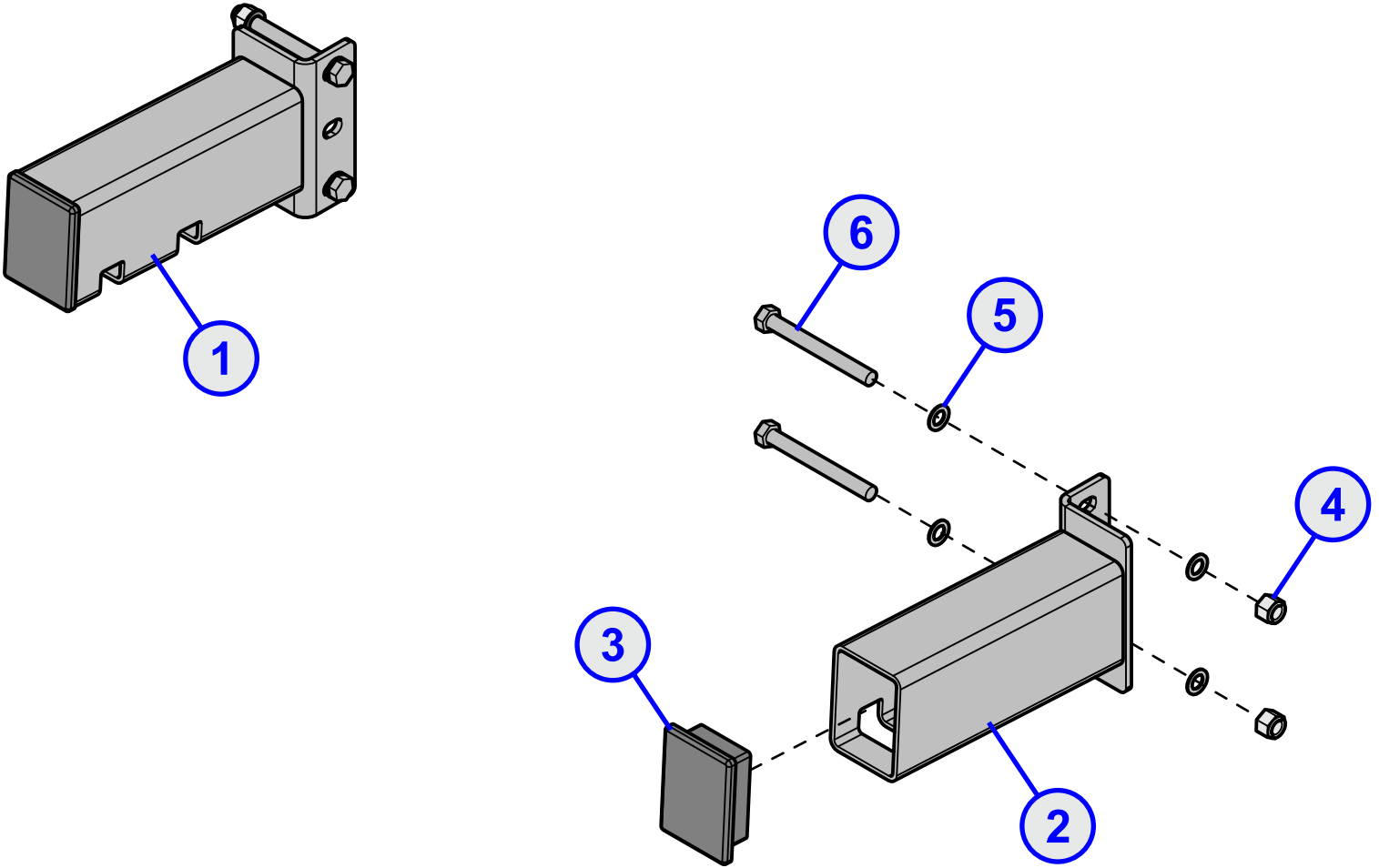


ITEM NO.	QTY.	PART NO.	DESCRIPTION
1	1	9165501	WLDMT, HDE BATTLE ROPE

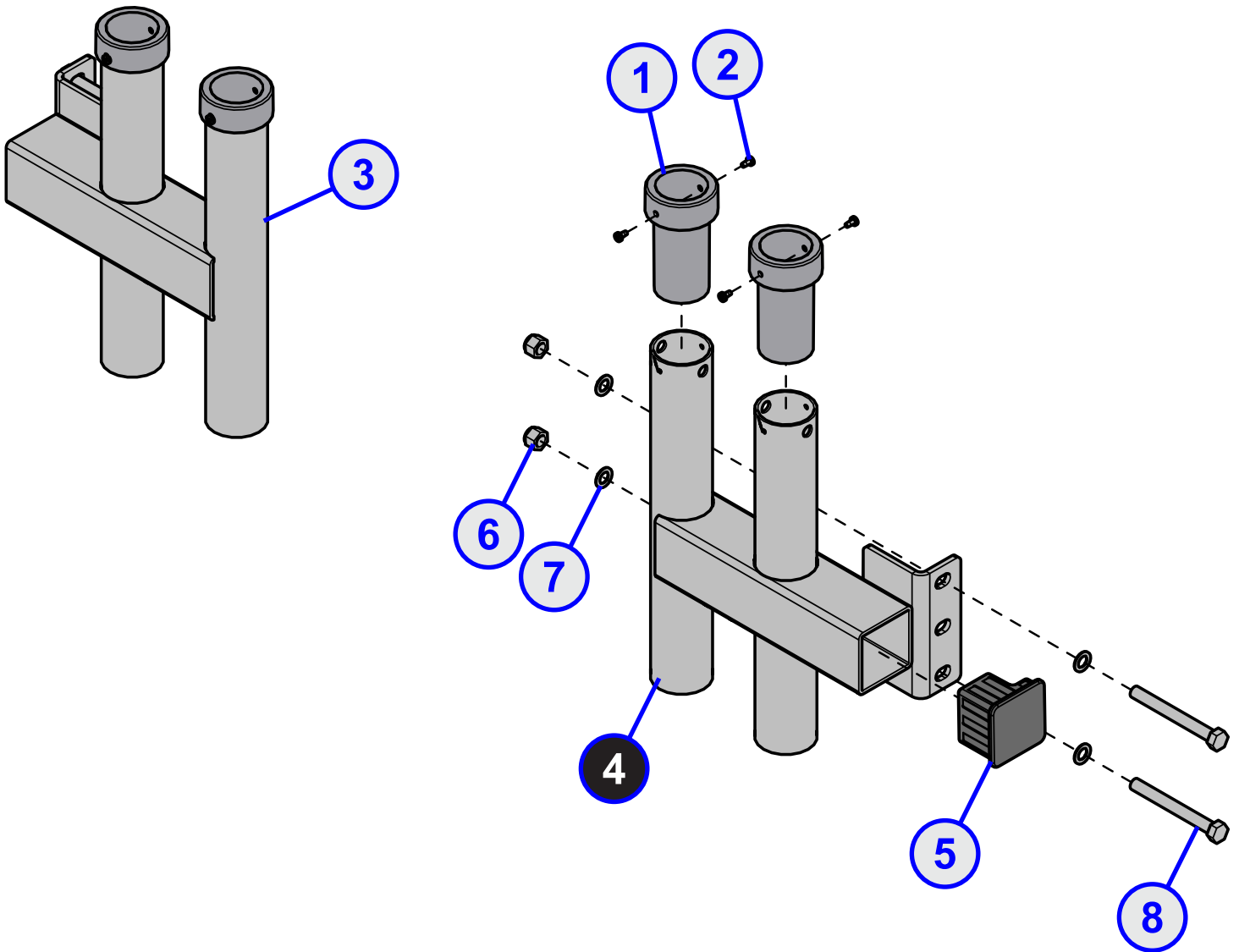
HD ELITE

HALF RACK BAR CATCH STORAGE

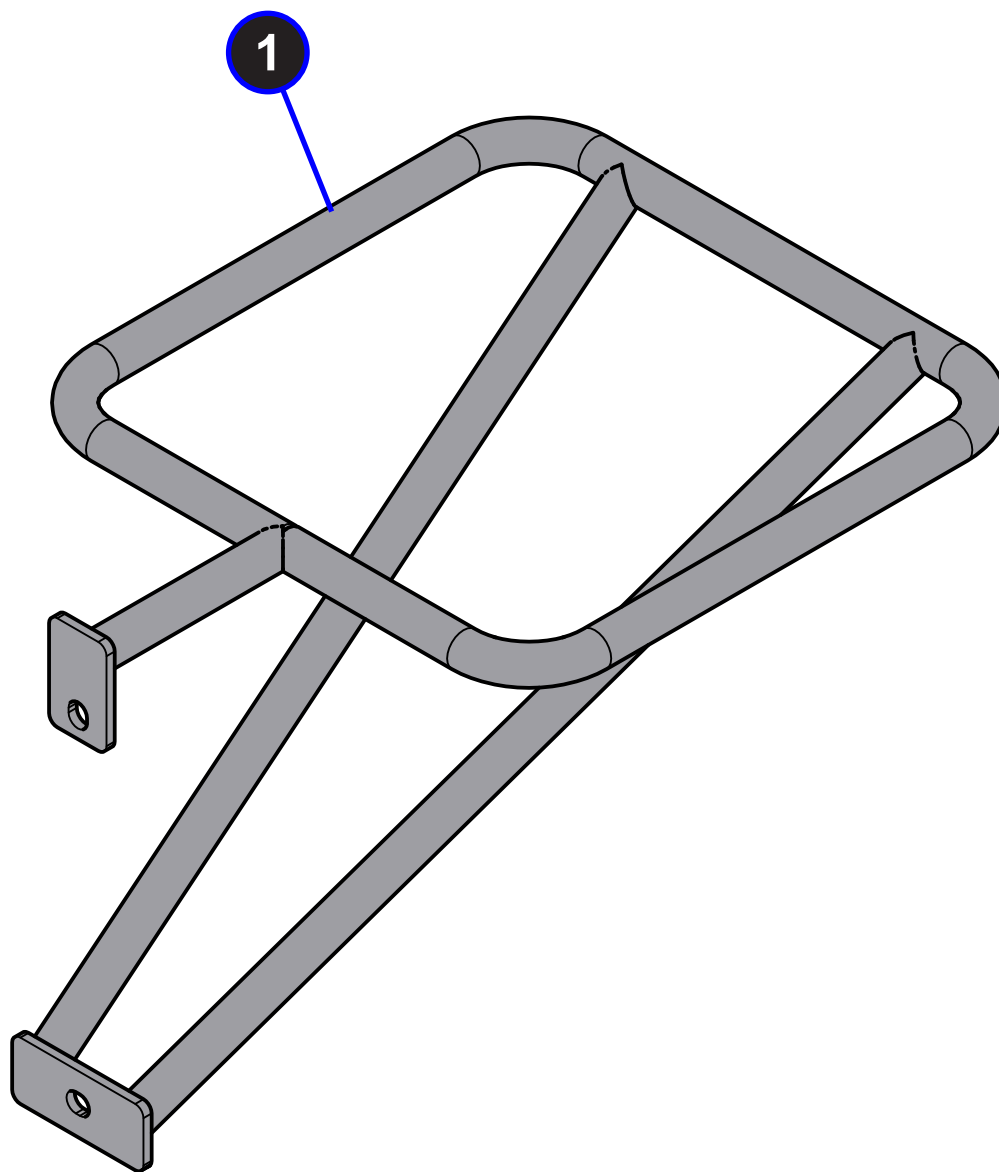
ALL HDL



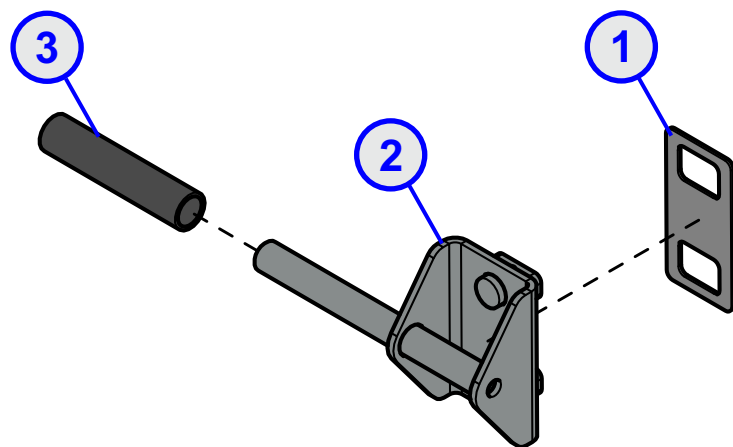
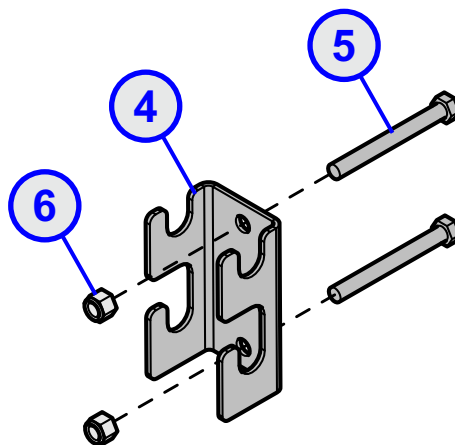
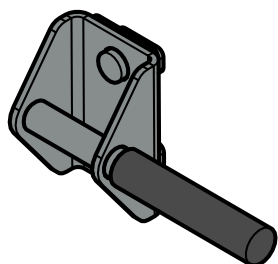
ITEM NO.	QTY.	PART NO.	DESCRIPTION
1	1	9191993	WLDMT, HDEHRBS, RT
2	1	9188293	WLDMT, HDEHRBS, LT
3	2	9043101	CAP, END 3 X 4
4	4	NUT.5LOCK	1/2 DIA THICK LOCK NUT
5	8	WASH.5STAR	1/2" INTERNAL LOCK WASHER
6	4	0017-00101-1579	1/2 X 4 1/2 BOLT



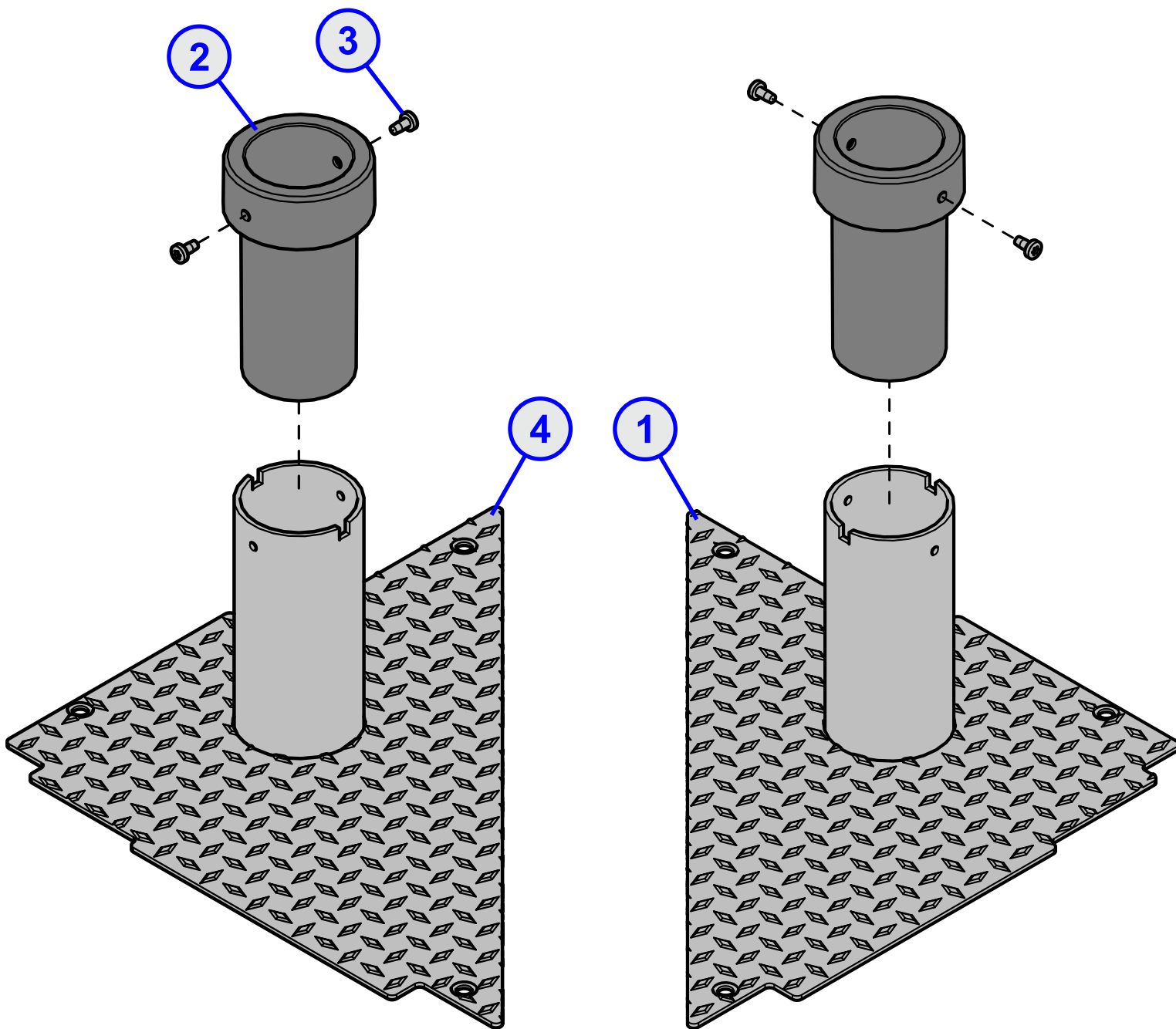
ITEM NO.	QTY.	PART NO.	DESCRIPTION
1	4	9045101	CAP, HDE, LANDMINE, WORK ARM
2	8	3270601	SCREW, #10-32 X 3/8 TRX PAN ST BZ
3	1	9192900	WLDMT, HDE, BAR STORAGE, LT
4	1	9217300	WLDMT, HDE, BAR STORAGE, RT
5	1	9212801	CAP, 3X3 SQ END
6	4	NUT.5LOCK	1/2 DIA THICK LOCK NUT
7	8	WASH.5STAR	1/2" INTERNAL LOCK WASHER
8	4	0017-00101-1579	1/2 X 4 1/2 BOLT



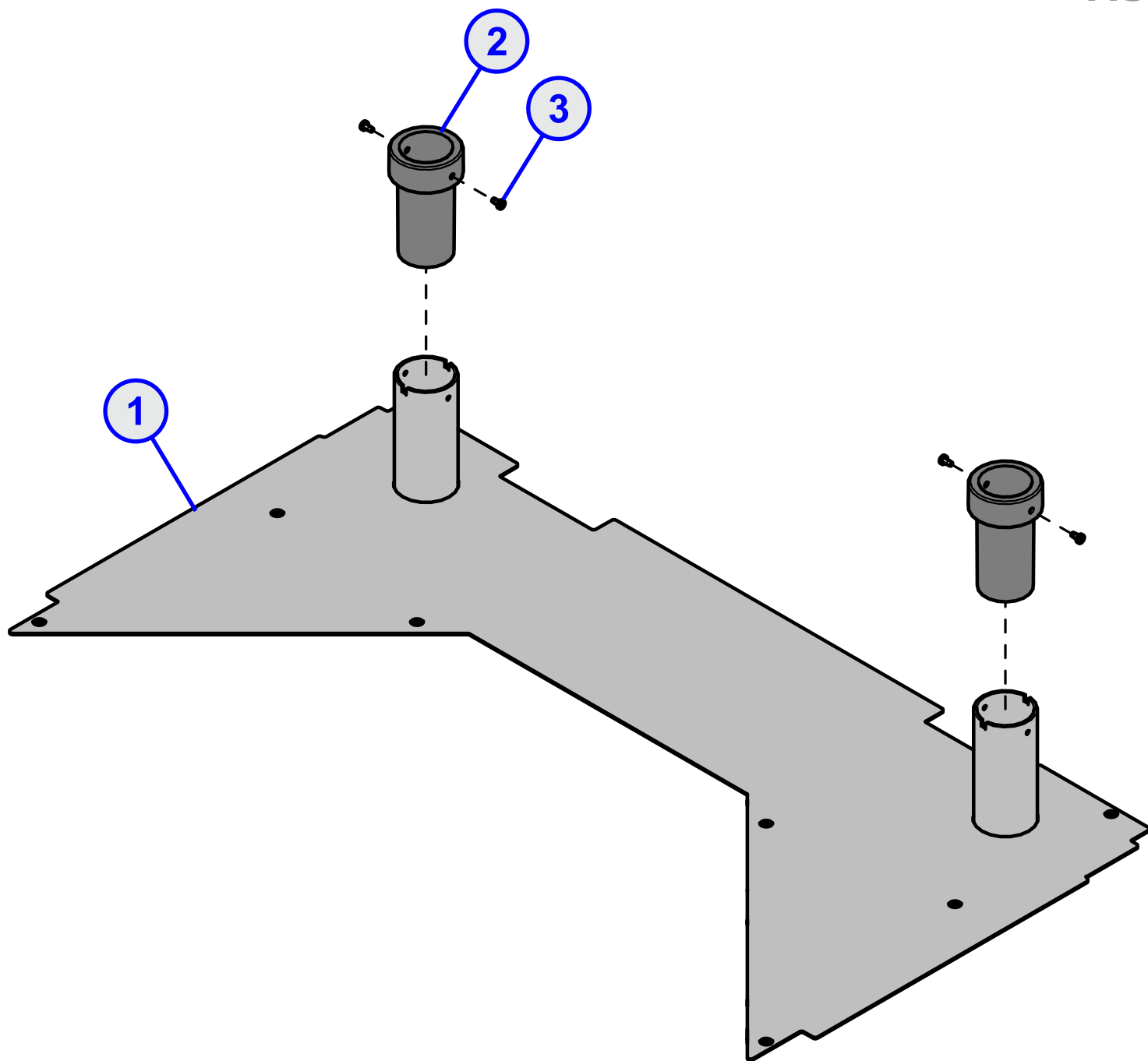
ITEM NO.	QTY.	PART NO.	DESCRIPTION
1	1	9542100	WLDMT, BALL STORAGE



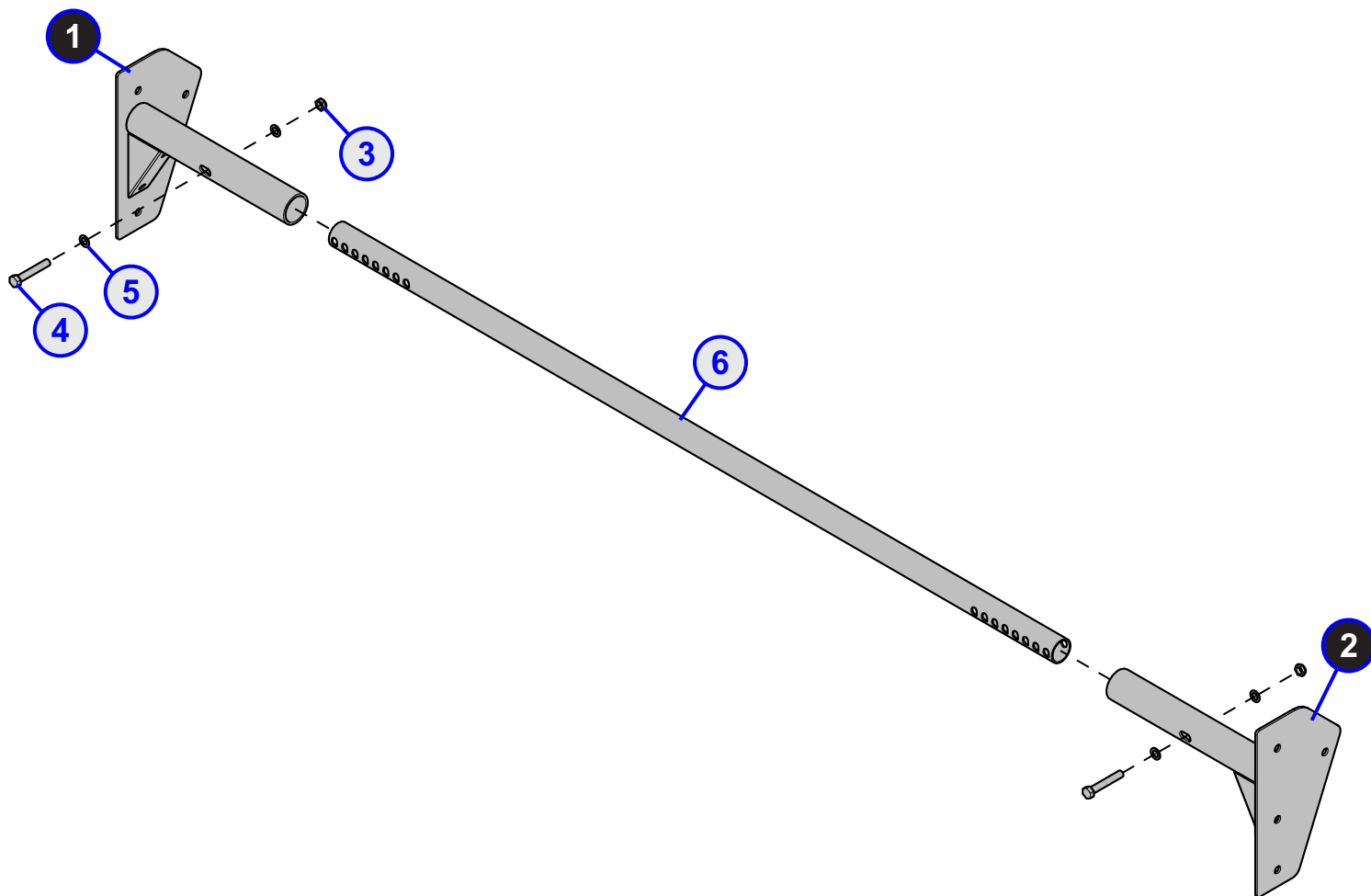
ITEM NO.	QTY.	PART NO.	DESCRIPTION
1	1	1006917-0001	GUARD: PAINT, 2-3/4 X 5-1/2
2	1	1007839-0001	WELDMENT: HDL, SSH
3	1	H-GRIP	HANDLE GRIPS (.938X16)
4	1	1006951-0001	BRACKET: HDLPR-FBC, STORAGE
5	2	HHB.5X4.5	1/2 X 4 1/2 BOLT
6	2	NUT.5LOCK	1/2 DIA THICK LOCK NUT



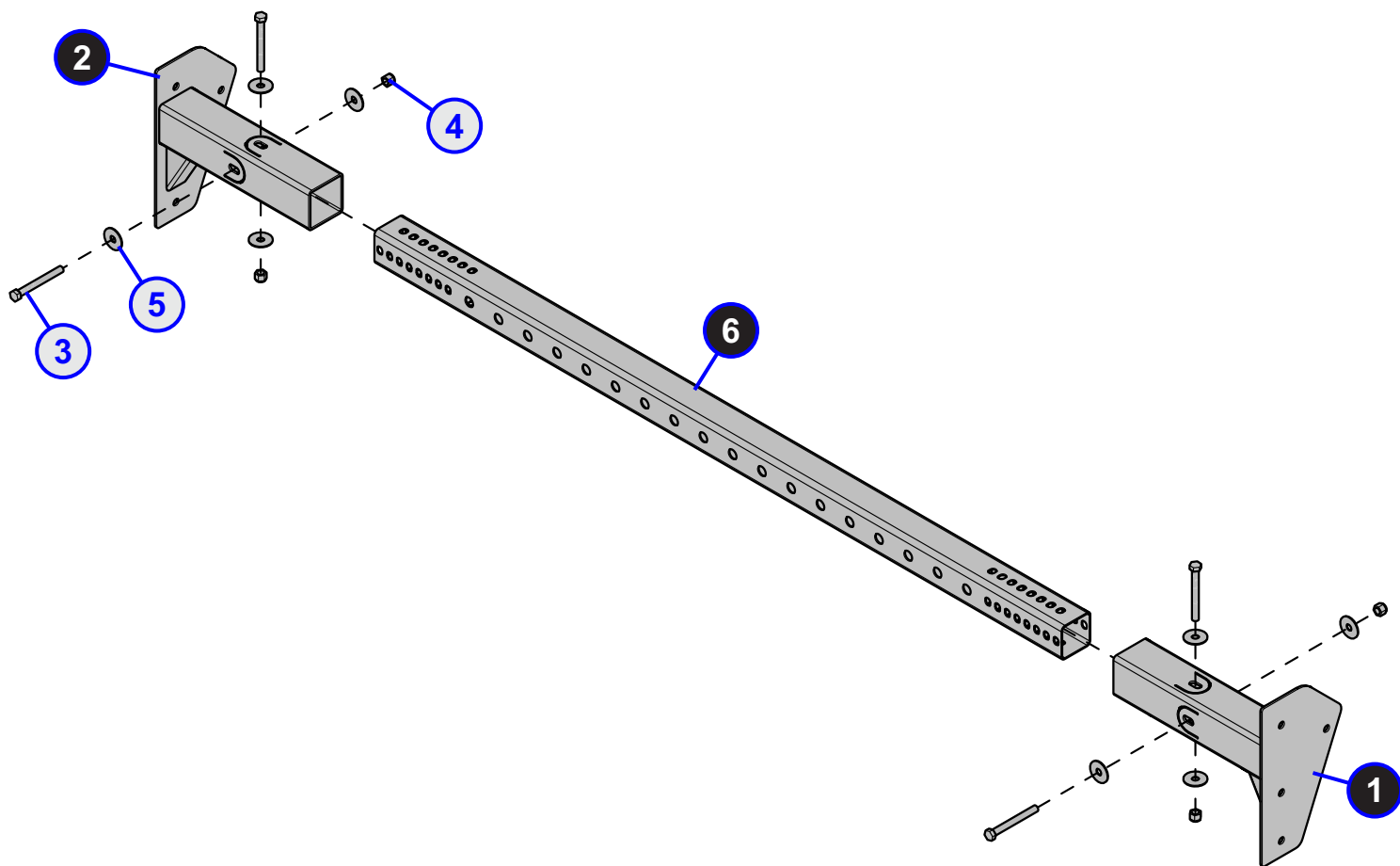
ITEM NO.	QTY.	PART NO.	DESCRIPTION
1	1	9546332	WLDMT, BAR STORAGE -LT
2	2	9045101	CAP, HDE, LANDMINE, WORK ARM
3	4	3270604	SCREW, #10-32 X .25 TRX PAN ST BZ
4	1	9546832	WLDMT, BAR STORAGE -RT



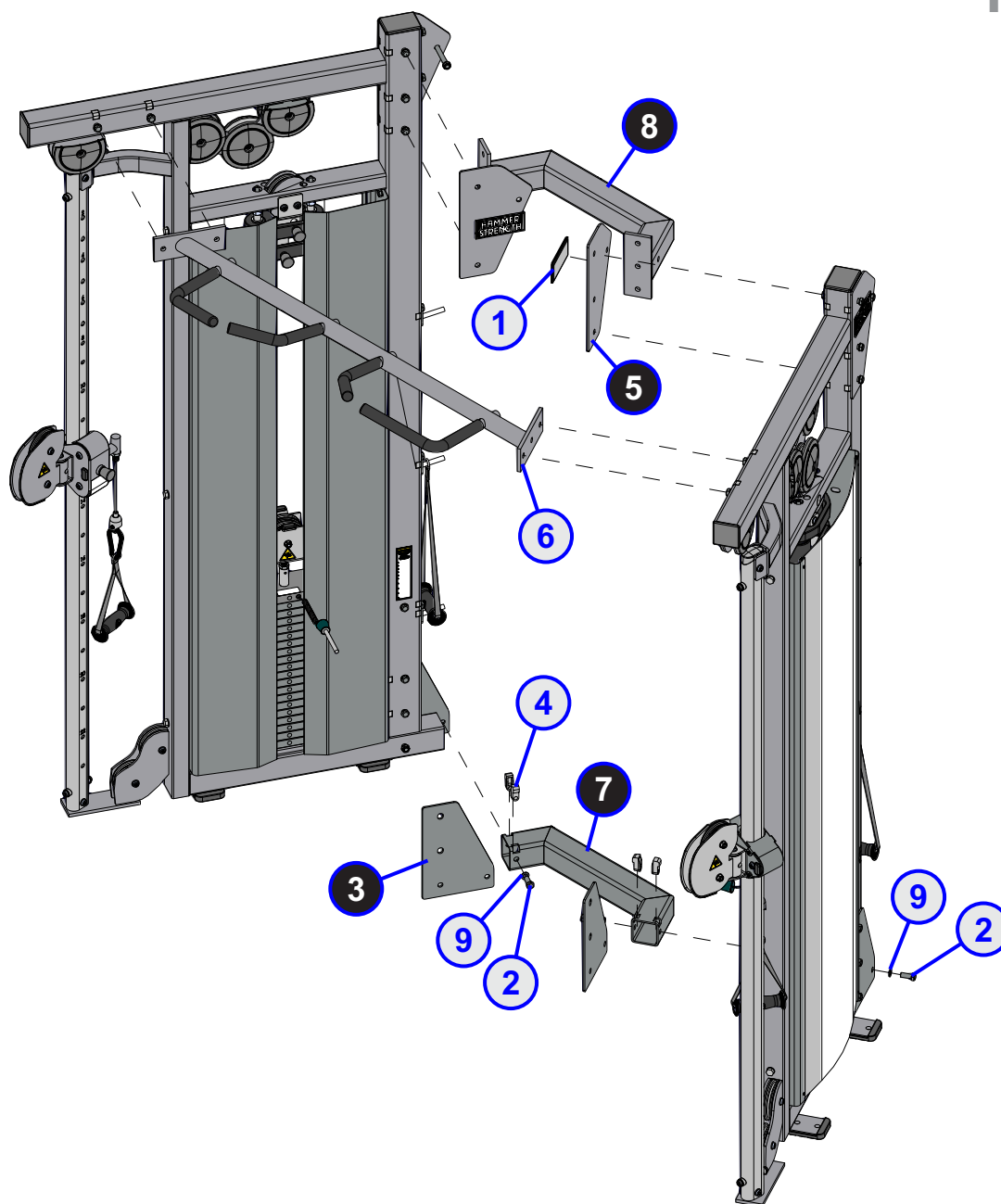
ITEM NO.	QTY.	PART NO.	DESCRIPTION
1	1	9547032	WLDMT, BAR STORAGE MS
2	2	9045101	CAP, HDE, LANDMINE, WORK ARM
3	4	3270604	SCREW, #10-32 X .25 TRX PAN ST BZ



ITEM NO.	QTY.	PART NO.	DESCRIPTION
1	1	9298000	WLDMT, HDL, RACK CONNECTOR, LT
2	1	9298100	WLDMT, HDL, RACK CONNECTOR, RT
3	2	NUT.5JAMLOCK	1/2 THIN LOCK NUT
4	2	HHB.5X3	1/2 X 3 BOLT
5	4	WASH.5STAR	1/2 INTERNAL LOCK WASHER
6	1	9499093	TUBE, HDL, RACK CONNECTOR, 6-7FT -HWG
		9499193	TUBE, HDL, RACK CONNECTOR, 7-8FT -HWG



ITEM NO.	QTY.	PART NO.	DESCRIPTION
1	1	1003800-0000	WLDMT, HDLRC-SQ, RIGHT
2	1	1003799-0000	WLDMT, HDLRC-SQ, LEFT
3	4	HHB.5X4.5	1/2 X 4-1/2 BOLT
4	4	NUT.5LOCK	1/2 THICK LOCK NUT
5	8	3102512	WSHR, FLAT 1/2 ID X1-3/4 OD ZN
6	1	1003881-0000	TUBE, HDLRC-SQ, 6-7FT
		1003882-0000	TUBE, HDLRC-SQ, 7-8FT
		1003883-0000	TUBE, HDLRC-SQ, 8-9FT
		1003884-0000	TUBE, HDLRC-SQ, 9-10FT
		1006885-0000	TUBE, HDLRC-SQ, 10-11FT



ITEM NO.	QTY.	PART NO.	DESCRIPTION
1	2	H-NAMEPLATE	HAMMER STRENGTH BADGE
2	4	3272805	1/2 IN-13 X 1.25 IN UNC HHCS G5 ZN
3	2	9016400	PLATE, HDE, ANVIL, LOWER
4	4	9097301	NUT, RECT TUBING, 7GA, 3"
5	2	9212400	PLATE, HDE, ANVIL, UPPER
6	1	9231501	ASSY, PULL-UP, HDL SA DAP
7	1	9231600	WLDMT, HDL DAP SA BOTTOM
8	1	9231700	WLDMT, HDL DAP SA TOP
9	4	WASH.5STAR	1/2" INTERNAL LOCK WASHER

Please see the following KB article Life Fitness CMDAP, Hammer Strength HDLDAP Swivel Type Cable End Inspection

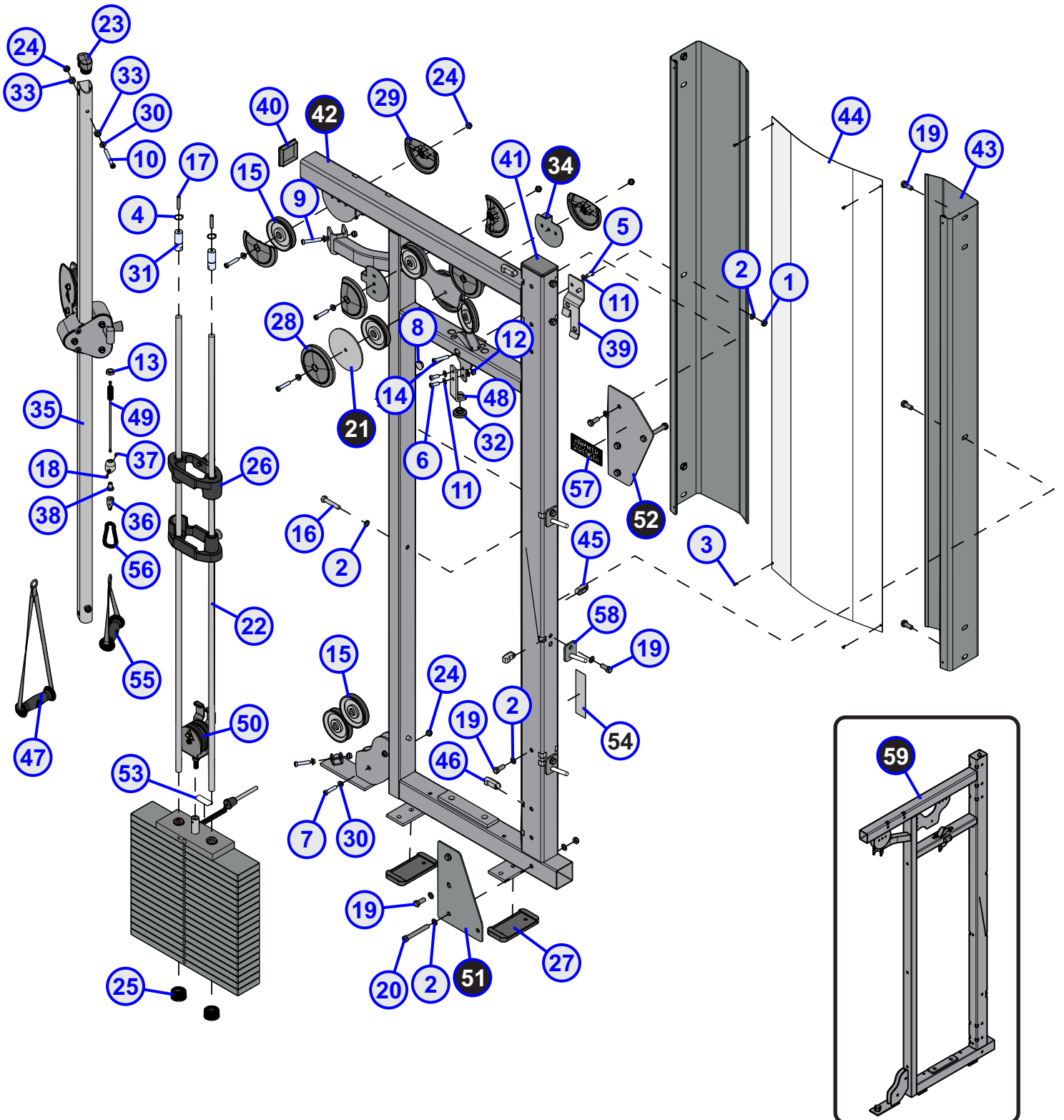


TABLE ON FOLLOWING PAGE

ITEM NO.	QTY.	PART NO.	DESCRIPTION
1	5	NUT.5JAMLOCK	1/2 THIN LOCK NUT
2	32	WASH.5STAR	1/2" INTERNAL LOCK WASHER
3	4	0017-00101-1587	RIVET, SHIELD
4	2	3232421	RING, BRE .940, 5100-100 ST PP B
5	2	3236201	SCREW, M10 X1.5 20MM
6	2	3236202	SCREW, M10 X1.5 25MM
7	3	3236206	SCREW, M10 X1.5 45MM
8	5	3236207	SCREW, M10 X1.5 50MM
9	1	3236209	SCREW, M10 X1.5 60MM
10	2	3236215	SCREW, M10 X1.5 90MM
11	6	WASH.375SAE	3/8" SAE FLAT WASHER
12	2	3236801	NUT, M10 HEX NYLOCK SS
13	1	3236902	NUT, HEX JAM M16 X 2 SS
14	1	3237403	PLUG, 1" HOLE
15	7	3237801	PULLEY, 1/4 IN CABLE (T3), 4.5 IN OD
16	3	HHB.5X2.5	1/2 X 2 1/2 BOLT
17	2	3240502	M10 X 1.5 X 50 HXS NO CUP ST BO
18	2	3250002	M5 X 0.8 HXS SOC CS ST BZ X 8
19	22	3272805	1/2 IN-13 X 1.25 IN UNC HHCS G5 ZN
20	2	3272816	1/2 IN-13 X 4.00 IN UNC HHCS G5 ZN
21	1	7301101	PLATE, PULLEY
22	2	7328618	GUIDE ROD, .75 OD SOLID 71.50
23	1	7333801	CAP, SMALL FLOV- END
24	10	7335401	NUT, M10 X 1.5 SOCKET HEAD
25	2	7352101	CUSHION, WEIGHT STACK
26	2	9102601	ASSY, INCREMENT WGT.
27	2	MM-9	3 X 6 FLANGE RUBBER SLIPPER
28	2	7629901	COVER, PULLEY- BOLTED FULL
29	6	7630001	COVER, PULLEY BOLTED PARTIAL
30	10	7630101	RETAINER, CM/MJ PULLEY
31	2	7634401	RETAINER, CM/MJ, GUIDEROD
32	1	7642301	BUMPER, CM/MJ, PLUG
33	4	7645501	SPACER, CM/MJ, SM FLOV CONCAVE
34	2	7730901	BRKT, COVER/CABLE RETAINER
35	1	8264101	TUBE, CM/MJ ADJ COLUMN
36	1	8943601	LINK, CM/MJ, CABLE END
37	1	8943701	HSNG, CM/MJ, CABLE END
38	1	8943801	INSERT, CM/MJ, CABLE END
39	1	9231103	STRIKER PLATE, INCR WGT, HT AND PLATED
40	1	9043001	CAP, END 3 X 3
41	1	9043101	CAP, END 3 X 4
42	1	9044900	WLDMT, HDDAP, SIDE FRAME, LEFT
43	2	9045793	SHROUD, HDEDAP, FNT -HWG
44	1	9046501	SHROUD, HDEDAP REAR
45	10	9097301	NUT, RECT TUBING, 7GA, 3"
46	12	9097302	NUT, RECT TUBING, 7GA, 4"
47	1	8219701	HANDLE, CM/MJ, LONG STRAP
48	1	1013912-9301	BRACKET: INC WEIGHT STOP, 1/4" -HWG
49	1	9124001	CABLE, HDEDAP, INCR. WGT
50	1	1014242-9301	ASSEMBLY: FLOATING DBL PULLEY, INC WGT -HWG
51	1	9016400	PLATE, HDE, ANVIL, LOWER
52	1	9212400	PLATE, HDE, ANVIL, UPPER
53	1	7744501	LABEL, WEIGHT AT HANDLE
54	1	82200XX	LABEL, ASTM WARNING SELECT
55	1	8219601	HANDLE, CM/MJ, SHORT STRAP
56	1	3250201	SNAP LINK, 3/8" DIA
57	1	H-NAMEPLATE	HAMMER STRENGTH BADGE
58	3	9306493	WLDMT, HDL, PEG
59	1	9044800	WLDMT, HDEDAP, SIDE FRAME, RIGHT

Please see the following KB article Life Fitness CMDAP, Hammer Strength HDLDAP Swivel Type Cable End Inspection

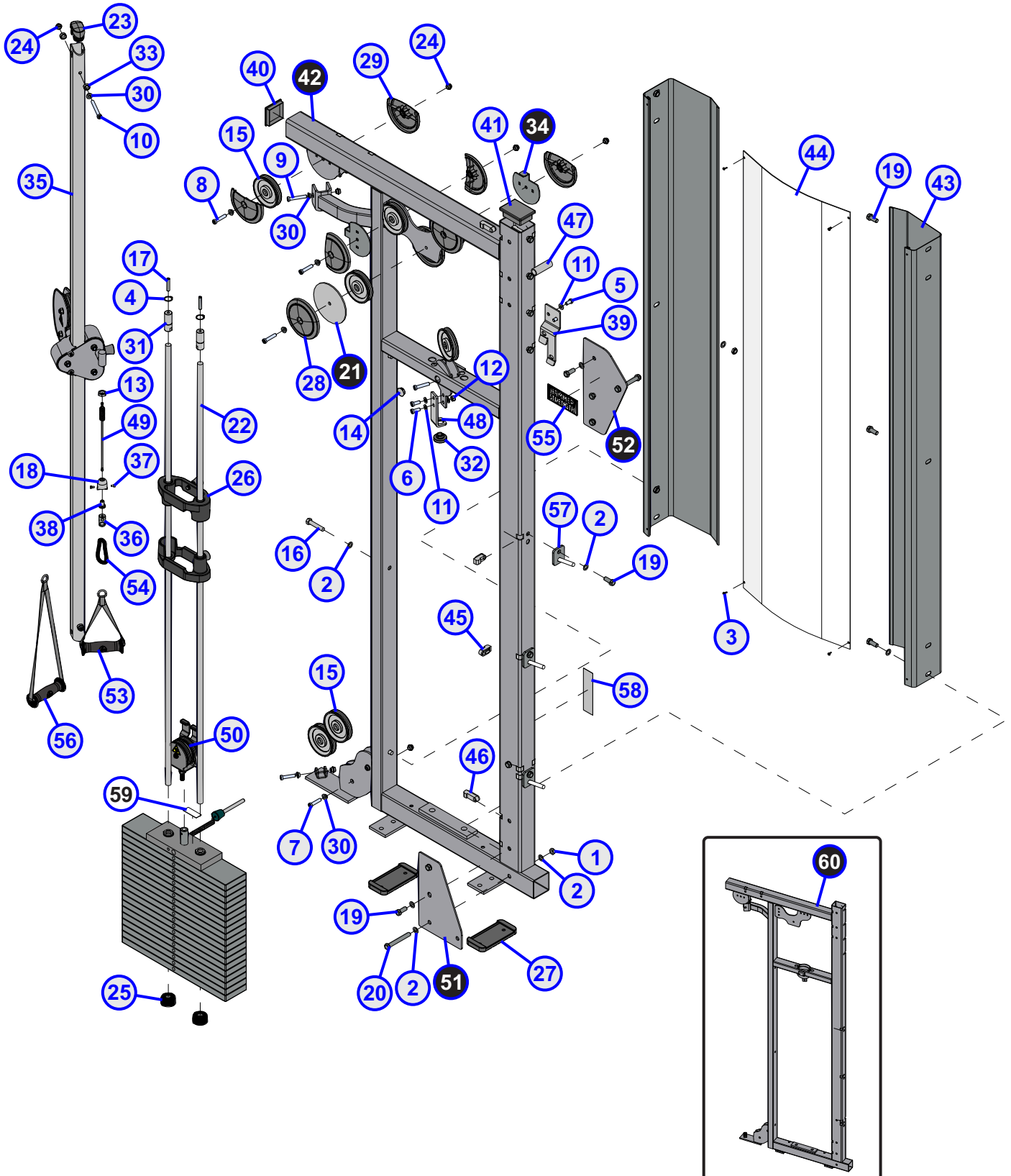
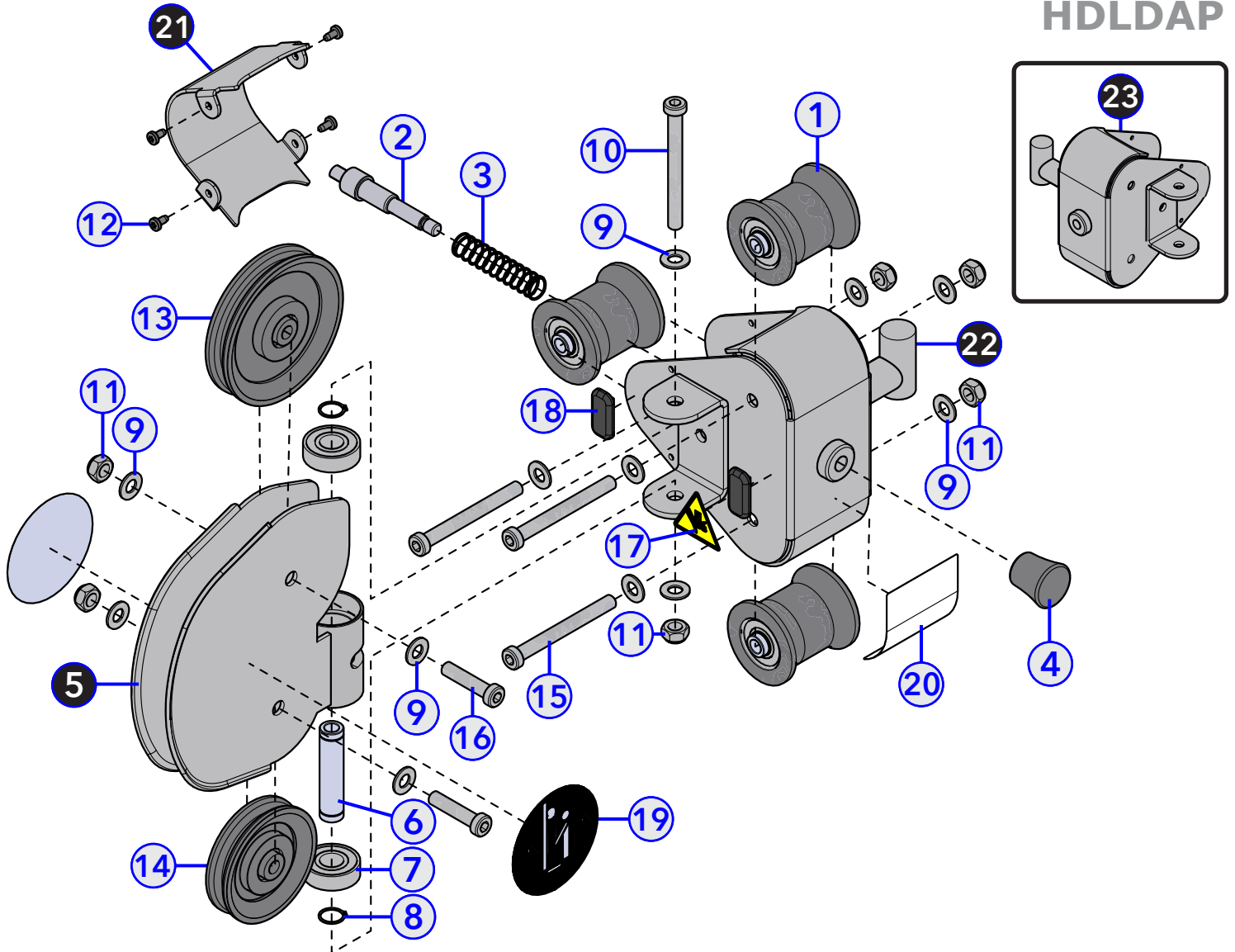
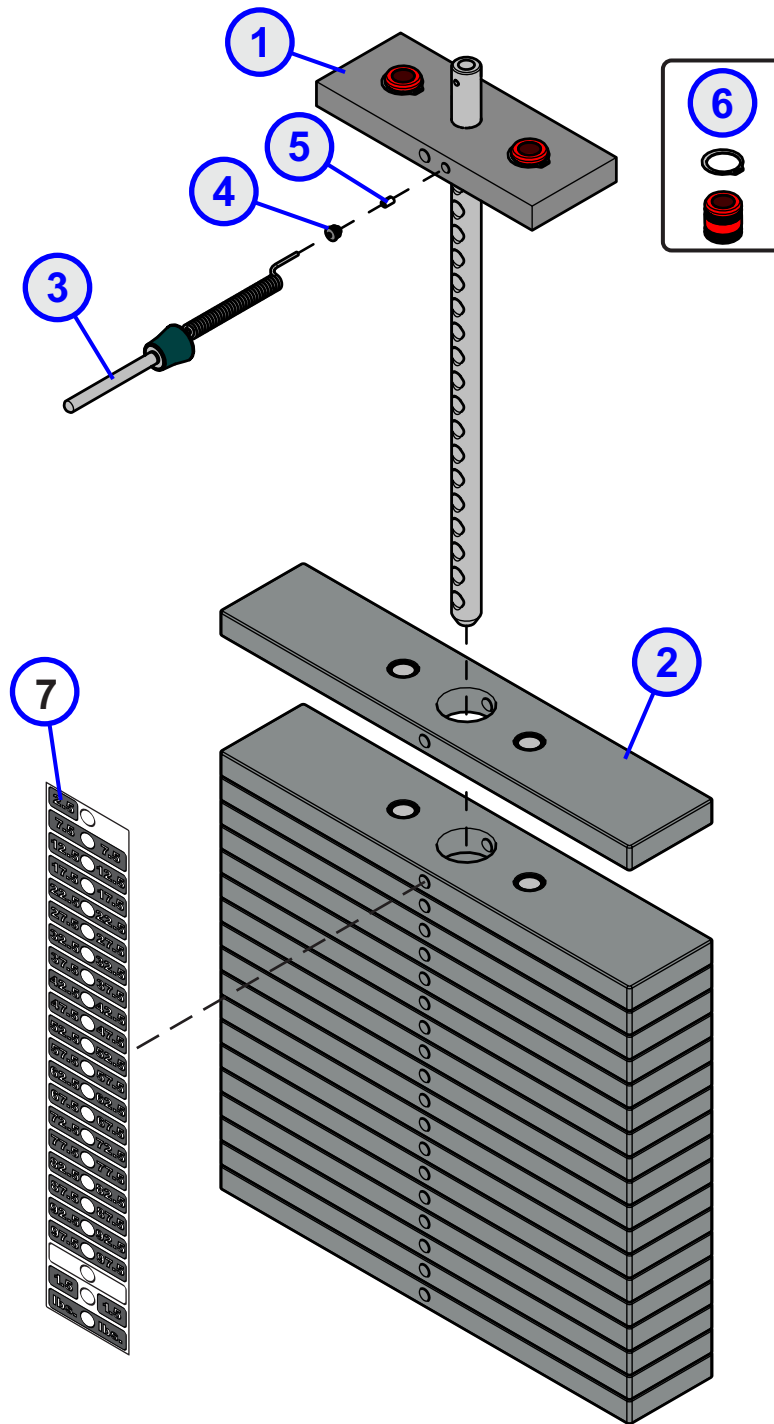


TABLE ON FOLLOWING PAGE

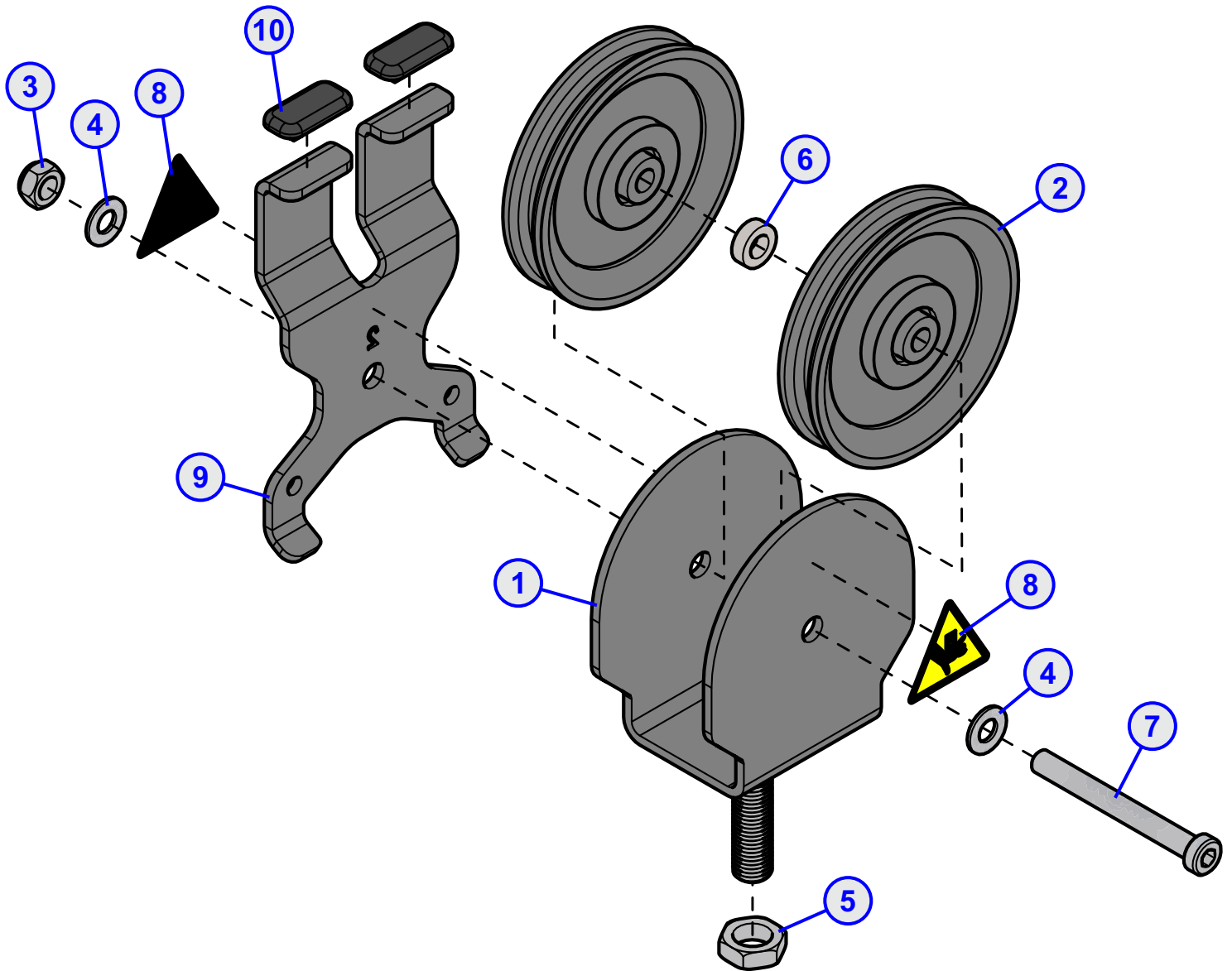
ITEM NO.	QTY.	PART NO.	DESCRIPTION
1	5	NUT.5JAMLOCK	1/2 THIN LOCK NUT
2	34	WASH.5STAR	1/2" INTERNAL LOCK WASHER
3	4	0017-00101-1587	RIVET, SHIELD
4	2	3232421	RING, BRE .940, 5100-100 ST PP B
5	2	3236201	SCREW, M10 X1.5 20MM
6	2	3236202	SCREW, M10 X1.5 25MM
7	3	3236206	SCREW, M10 X1.5 45MM
8	5	3236207	SCREW, M10 X1.5 50MM
9	1	3236209	SCREW, M10 X1.5 60MM
10	2	3236215	SCREW, M10 X1.5 90MM
11	6	WASH.375SAE	3/8" SAE FLAT WASHER
12	2	3236801	NUT, M10 HEX NYLOCK SS
13	1	3236902	NUT, HEX JAM M16 X 2 SS
14	1	3237403	PLUG, 1" HOLE
15	7	3237801	PULLEY, 1/4 IN CABLE (T3), 4.5 IN OD
16	3	HHB.5X2.5	1/2 X 2 1/2 BOLT
17	2	3240502	M10 X 1.5 X 50 HXS NO CUP ST BO
18	2	3250002	M5 X 0.8 HXS SOC CS ST BZ X 8
19	24	3272805	1/2 IN-13 X 1.25 IN UNC HHCS G5 ZN
20	2	3272816	1/2 IN-13 X 4.00 IN UNC HHCS G5 ZN
21	1	7301101	PLATE, PULLEY
22	2	7328618	GUIDE ROD, .75 OD SOLID 71.50
23	1	7333801	CAP, SMALL FLOV- END
24	10	7335401	NUT, M10 X 1.5 SOCKET HEAD
25	2	7352101	CUSHION, WEIGHT STACK
26	2	9102601	ASSY, INCREMENT WGT.
27	2	MM-9	3 X 6 FLANGE RUBBER SLIPPER
28	2	7629901	COVER, PULLEY- BOLTED FULL
29	6	7630001	COVER, PULLEY BOLTED PARTIAL
30	10	7630101	RETAINER, CM/MJ PULLEY
31	2	7634401	RETAINER, CM/MJ, GUIDEROD
32	1	7642301	BUMPER, CM/MJ, PLUG
33	4	7645501	SPACER, CM/MJ, SM FLOV CONCAVE
34	2	7730901	BRKT, COVER/CABLE RETAINER
35	1	9232301	TUBE, CM/MJ ADJ COLUMN, 9FT
36	1	8943601	LINK, CM/MJ, CABLE END
37	1	8943701	HSNG, CM/MJ, CABLE END
38	1	8943801	INSERT, CM/MJ, CABLE END
39	1	9035601	STRIKER PLATE, INCR. WGT.
40	1	9043001	CAP, END 3 X 3
41	1	9043101	CAP, END 3 X 4
42	1	9189300	WLDMT, HDDAP, SIDE FRAME, LEFT 9FT
43	2	9045793	SHROUD, HDEDAP, FNT -HWG
44	1	9046501	SHROUD, HDEDAP REAR
45	12	9097301	NUT, RECT TUBING, 7GA, 3"
46	12	9097302	NUT, RECT TUBING, 7GA, 4"
47	1	9124100	TUBE, HDEHR/MR, SPACER, 9' RACK
48	1	1013912-9301	BRACKET: INC WEIGHT STOP, 1/4" -HWG
49	1	9233201	CABLE, HDEDAP, 9FT
50	1	1014242-9301	ASSEMBLY: FLOATING DBL PULLEY, INC WGT -HWG
51	1	9016400	PLATE, HDE, ANVIL, LOWER
52	1	9212400	PLATE, HDE, ANVIL, UPPER
53	1	8219601	HANDLE, CM/MJ, SHORT STRAP
54	1	3250201	SNAP LINK, 3/8" DIA
55	1	H-NAMEPLATE	HAMMER STRENGTH BADGE
56	1	8219701	HANDLE, CM/MJ, LONG STRAP
57	3	9306493	WLDMT, HDL, PEG
58	1	82200XX	LABEL, ASTM, SELECT VERT
59	1	77445XX	LABEL, WEIGHT AT HANDLE
60	1	9189000	WLDMT, HDEDAP, 9FT SIDE FRAME, RIGHT



ITEM NO.	QTY.	PART NO.	DESCRIPTION
1	3	7637901	ASSY, ROLLER-CONCAVE
2	1	1002880-0001	ASSY, CM/MJ PIN-PULL, BEVEL NOSE
3	1	7351501	SPRING, PULL PIN LARGE
4	1	7351401	KNOB, TULIP STYLE
5	1	7633301	WLDMT, CM/MJ, SWIVEL PULLEY
6	1	7645401	SHAFT, CM/MJ, 6203 BRNG
7	2	3245901	BEARING, 6203
8	2	3232413	RING, BRE .631, 5100-66, ST PP B
9	12	3236601	WASHER, 3/8 SAE SS
10	1	3236217	SCREW, M10 X1.5 100MM
11	6	3236801	NUT, M10 HEX NYLOCK SS
12	4	3270601	SCREW, #10-32 X 3/8 TRX PAN ST BZ
13	1	3237801	PULLEY, 1/4 IN CABLE (T3), 4.5 IN OD
14	1	3245701	PULLEY, 3.5" OD, 10MM ID
15	3	3236216	SCREW, M10 X1.5 95MM
16	2	3236206	SCREW, M10 X1.5 45MM
17	1	8039501	LABEL, WARNING, TRIANGLE, 10-0099-067, BNR
18	2	7570801	GUARD, PAINT 1.25 x .75 x .25
19	2	1011299-0001	LABEL: WARNING, ADJ CARRIAGE
20	1	7821001	LABEL, WARNING ADJ CARRIAGE
21	1	7631801	BRKT, CM/MJ, CARRIAGE SHROUD
22	1	8346901	WLDMT, CMDAP RH CARRIAGE
23	1	8346701	WLDMT, CMDAP LH CARRIAGE



ITEM NO.	QTY.	PART NO.	DESCRIPTION
1	1	8920201	19 HOLE HEAD PLATE/BAYONET SER. KIT ASSY
2	19	7328401	WEIGHT PLATE, 20 LB
3	1	7353001	ASSY, SELECTOR PIN
4	1	7356501	PLUG, LANYARD ATTACHMENT
5	1	7523601	CRIMP, CABLE
6	X	7338001	BUSHING KIT, HEADPLATE
7	1	9138101	LABEL, WGHT STK, 97.5 LBS
		9138201	LABEL, WGHT STK, 48.75 KG



ITEM NO.	QTY.	PART NO.	DESCRIPTION
1	1	1012796-9301	WELDMENT: FLOATING DOUBLE PULLEY -HWG
2	2	3237801	PULLEY, 1/4 IN CABLE (T3), 4.5 IN OD
3	1	3236801	NUT, NYLOCK M10 X 1.5 SS
4	2	3236601	WASHER, 3/8 SAE STAINLESS STEEL
5	1	3236902	NUT, HEX JAM M16 X 2 SS
6	1	7385201	SPACER, .406 X .750 X .250 SS
7	1	3236215	M10 X 1.5 X 90 SHCS, LOW HEAD
8	2	8039501	LABEL, WARNING TRIANGLE
9	1	1013924-9301	BRACKET: INC WEIGHT, DBL PULLEY, 7 GA -HWG
10	2	7570801	GUARD, PAINT 1.25 X .75 X .25

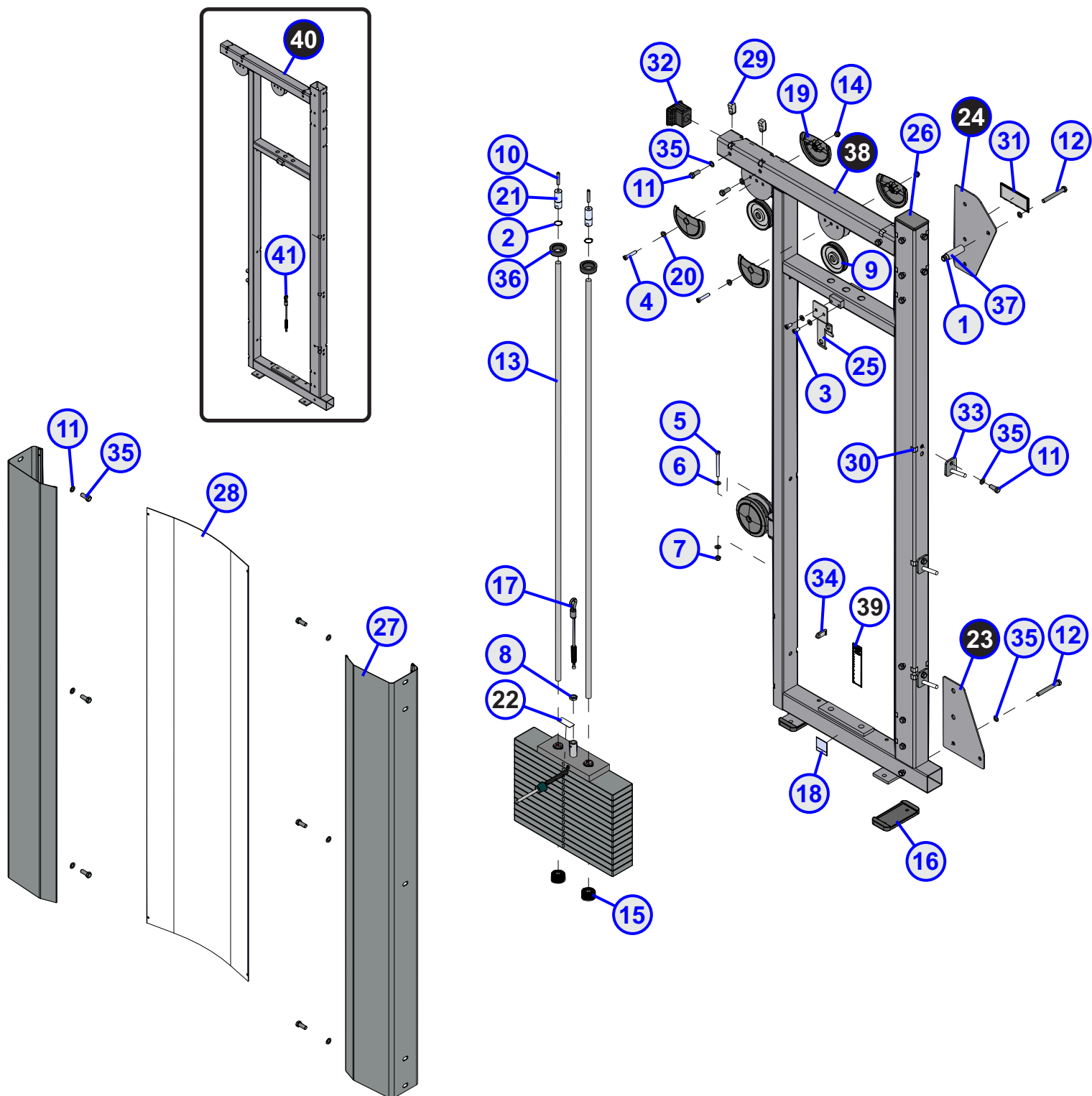
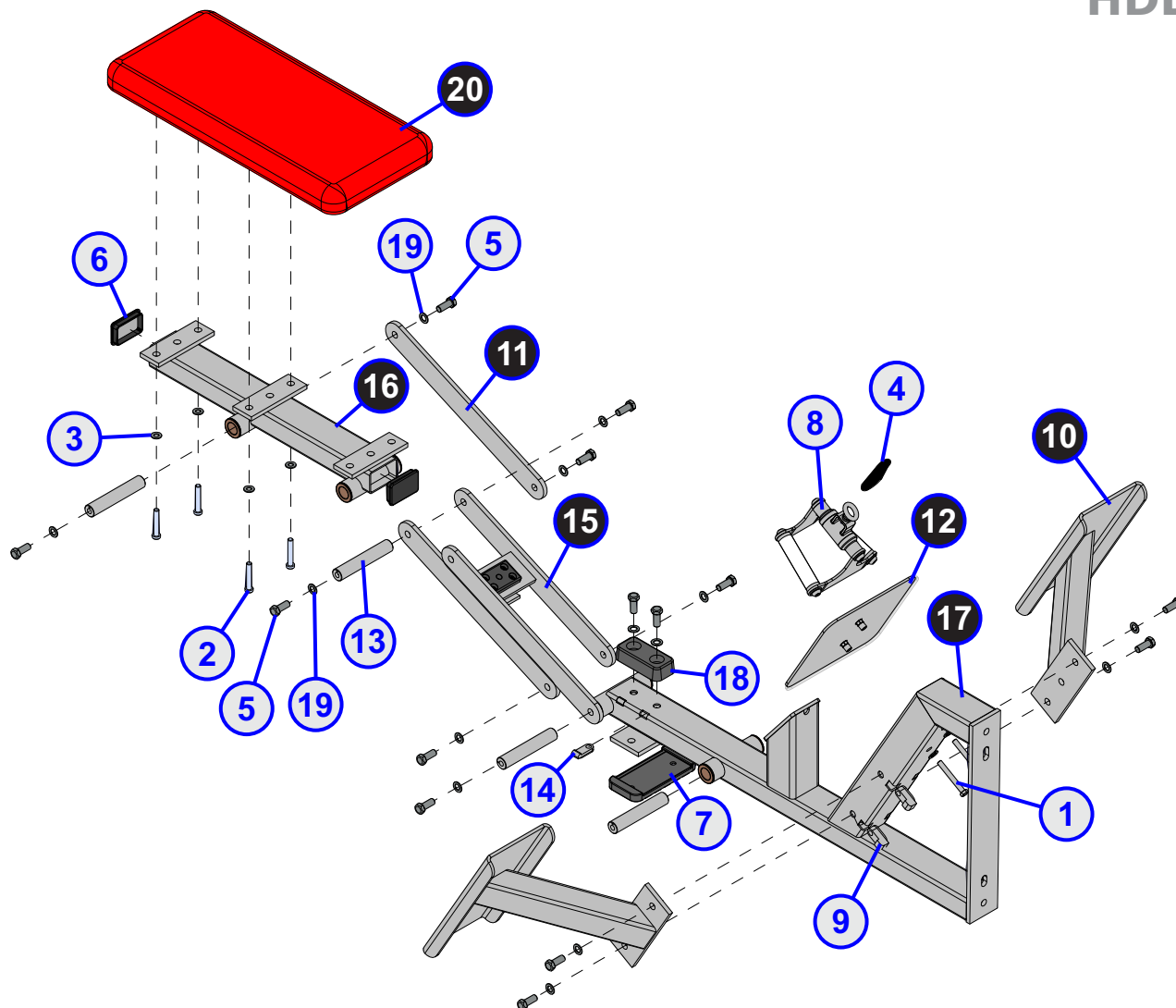
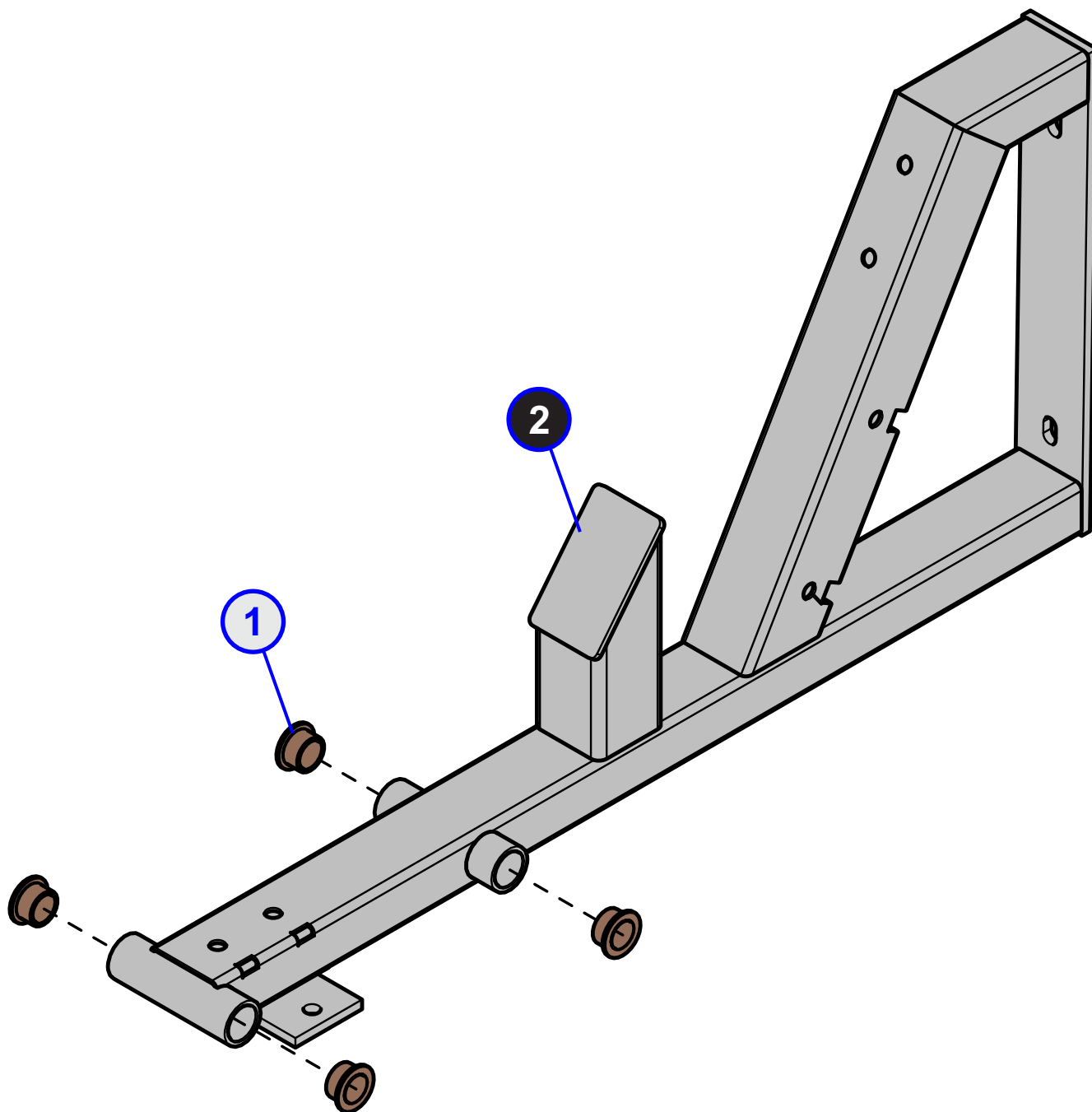


TABLE ON FOLLOWING PAGE

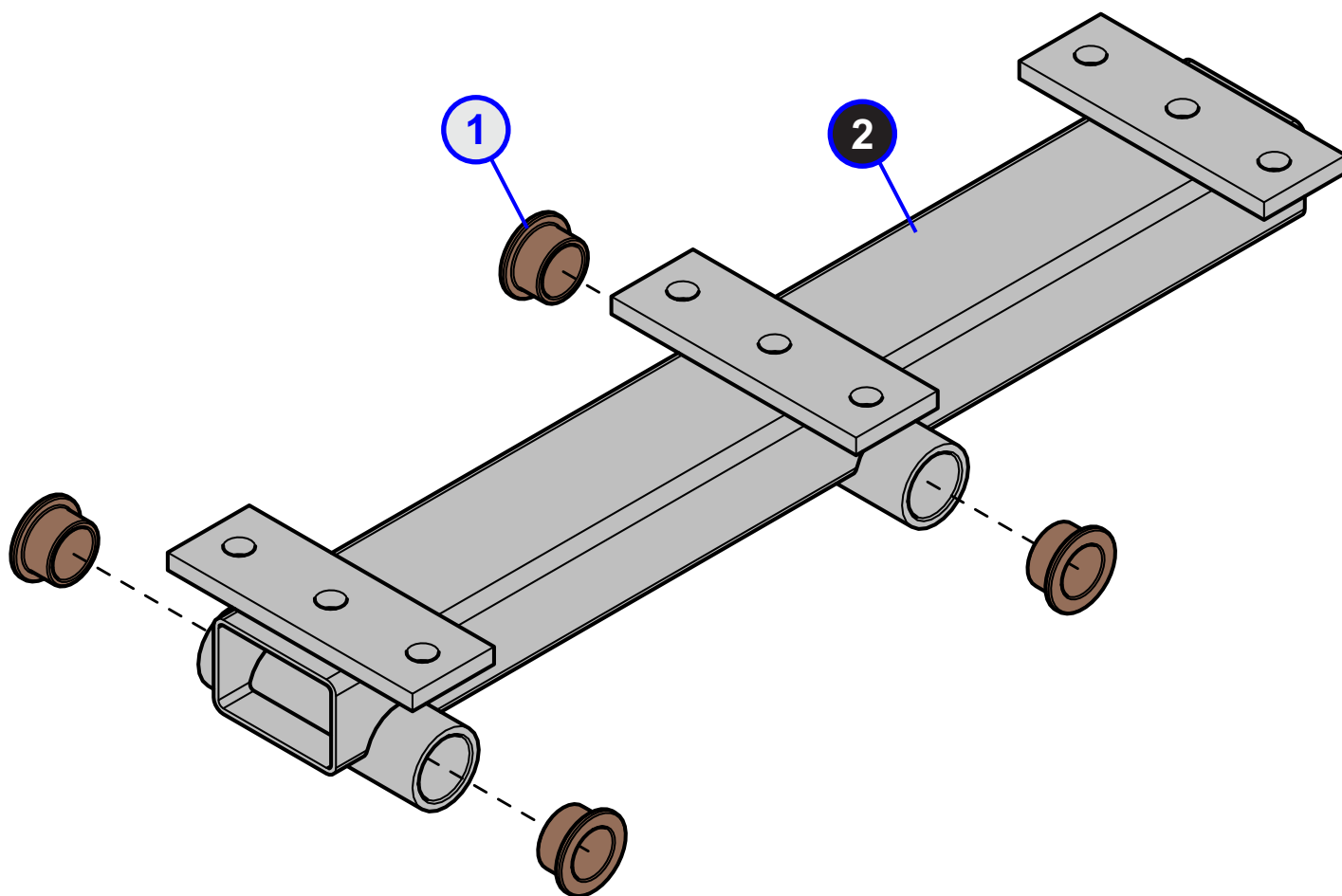
ITEM NO.	QTY.	PART NO.	DESCRIPTION
1	2	NUT.5JAMLOCK	1/2 THIN LOCK NUT
2	2	3232421	RING, BRE .940, 5100-100 ST PP B
3	2	3236201	SCREW, M10 X1.5 20MM
4	2	3236207	SCREW, M10 X1.5 50MM
5	1	3236217	SCREW, M10 X1.5 100MM
6	4	WASH.375SAE	3/8" SAE FLAT WASHER
7	1	3236801	NUT, M10 HEX NYLOCK SS
8	1	3236902	NUT, HEX JAM M16 X 2 SS
9	2	3237801	PULLEY, 1/4 IN CABLE (T3), 4.5 IN OD
10	2	3240502	M10 X 1.5 X 50 HXS NO CUP ST BO
11	31	3272805	1/2 IN-13 X 1.25 IN UNC HHCS G5 ZN
12	2	3272816	1/2 IN-13 X 4.00 IN UNC HHCS G5 ZN
13	2	7328618	GUIDE ROD, .75 OD SOLID 71.50
14	2	7335401	NUT, M10 X 1.5 SOCKET HEAD
15	2	7352101	CUSHION, WEIGHT STACK
16	2	MM-9	3 X 6 FLANGE RUBBER SLIPPER
17	1	1003787-0006	CABLE: M16TP, LOOP; 152.5 (8FT CABLE)
18	1	-	LABEL, SERIAL NUMBER, BLANK
19	4	7630001	COVER, PULLEY BOLTED PARTIAL
20	2	7630101	RETAINER, CM/MJ PULLEY
21	2	7634401	RETAINER, CM/MJ, GUIDEROD
22	1	77445XX	LABEL, WEIGHT AT HANDLE
23	1	9016400	PLATE, HDE, ANVIL, LOWER
24	1	9212400	PLATE, HDE, ANVIL, UPPER
25	1	9231103	STRIKER PLATE, INCR WGT, HT AND PLATED
26	1	9043101	CAP, END 3 X 4
27	2	9045793	SHROUD, HDEDAP, FNT -HWG
28	1	9046501	SHROUD, HDEDAP REAR
29	14	9097301	NUT, RECT TUBING, 7GA, 3"
30	12	9097302	NUT, RECT TUBING, 7GA, 4"
31	1	H-NAMEPLATE	HAMMER STRENGTH BADGE
32	1	9212801	CAP, 3X3 SQ END
33	3	9306493	WLDMT, HDL, PEG
34	5	9311803	NUT, RECT TUBING, 11GA, 3"
35	36	WASH.5STAR	1/2" INTERNAL LOCK WASHER
36	2	7767601	BUMPER, PS INCREMENT WT -SGY
37	1	9124100	TUBE, HDEHR/MR, SPACER, 9' RACK
38	1	9296300	WLDMT, HDLROW, SIDE FRAME - 8'
39	1	82200XX	LABEL, ASTM, SELECT VERT
40	1	9345700	WLDMT, HDLROW, SIDE FRAME, 9FT
41	1	1003787-0008	CABLE: M16TP, LOOP; 176.500 (9FT CABLE)



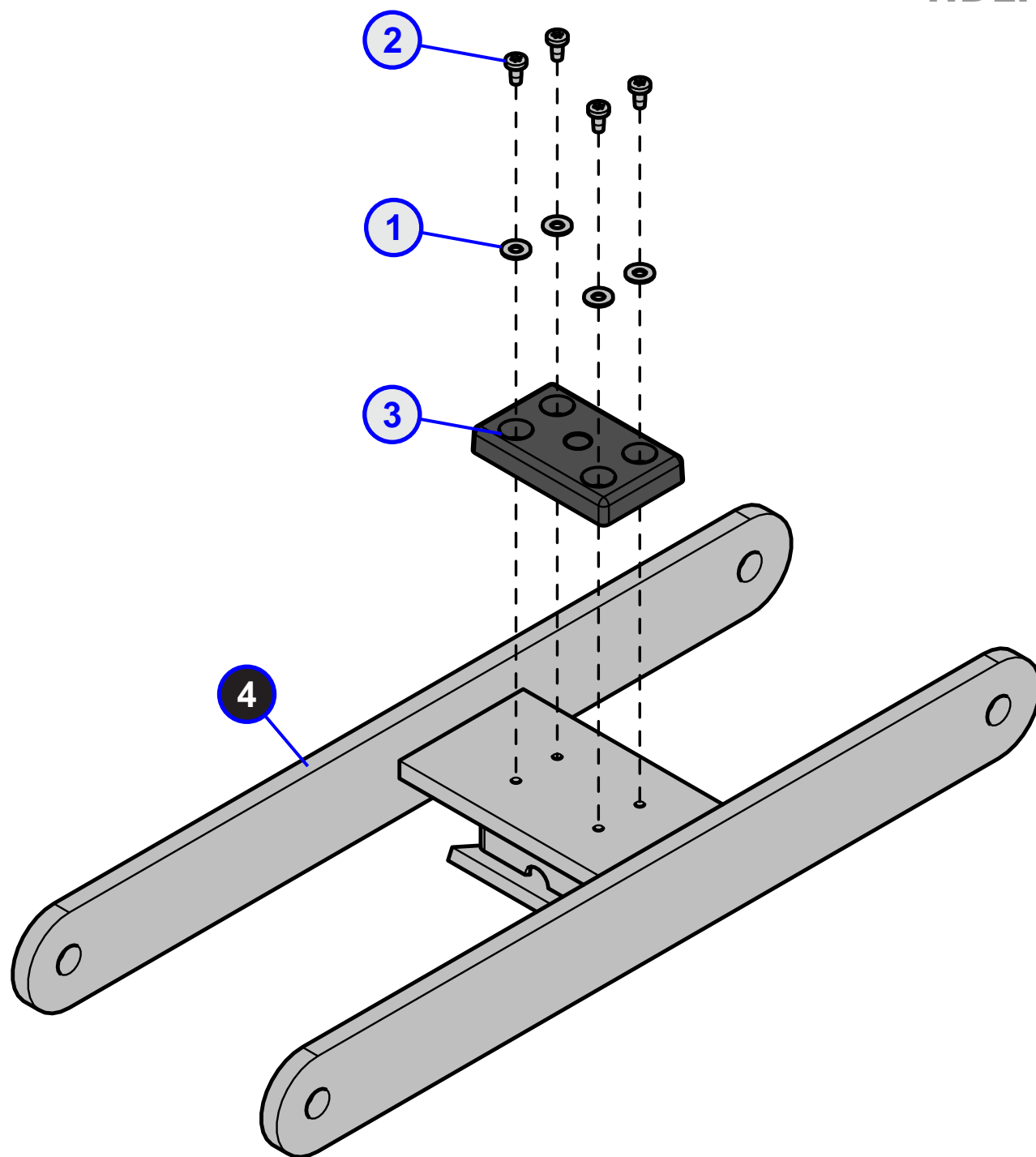
ITEM NO.	QTY.	PART NO.	DESCRIPTION
1	2	3223309	3/8-16 X 3.00 HEX HEAD BOLT
2	4	3236209	SCREW, M10 X1.5 60MM
3	4	WASH.375SAE	3/8" SAE FLAT WASHER
4	1	3250201	SNAP LINK, 3/8" DIA
5	14	3272805	1/2 IN-13 X 1.25 IN UNC HHCS G5 ZN
6	2	7352301	CAP, END 2 X 3
7	1	MM-9	3 X 6 FLANGE RUBBER SLIPPER
8	1	7732301	HANDLE, MJRW
9	4	9097301	NUT, RECT TUBING, 7GA, 3"
10	2	9305193	WLDMT, HDL, ROW, FOOT
11	2	9305701	PLATE. HDL, ROW, LINK
12	1	9305901	ASSY, HDL, ROW, HANDLE REST
13	4	9306501	SHAFT, 1IN X 5.57IN
14	2	9311803	NUT, RECT TUBING, 11GA, 3"
15	1	9329501	ASSY, HDL, ROW, LINKAGE
16	1	9329601	ASSY, HDL, ROW, SEAT
17	1	9329701	ASSY, HDL, ROW, USER STATION SUB
18	1	H-BUMP-SML	MM3 SMALL BUMPER
19	16	WASH.5STAR	1/2" INTERNAL LOCK WASHER
20	1	73988XX	PAD, BACK 25 X 11-1/4



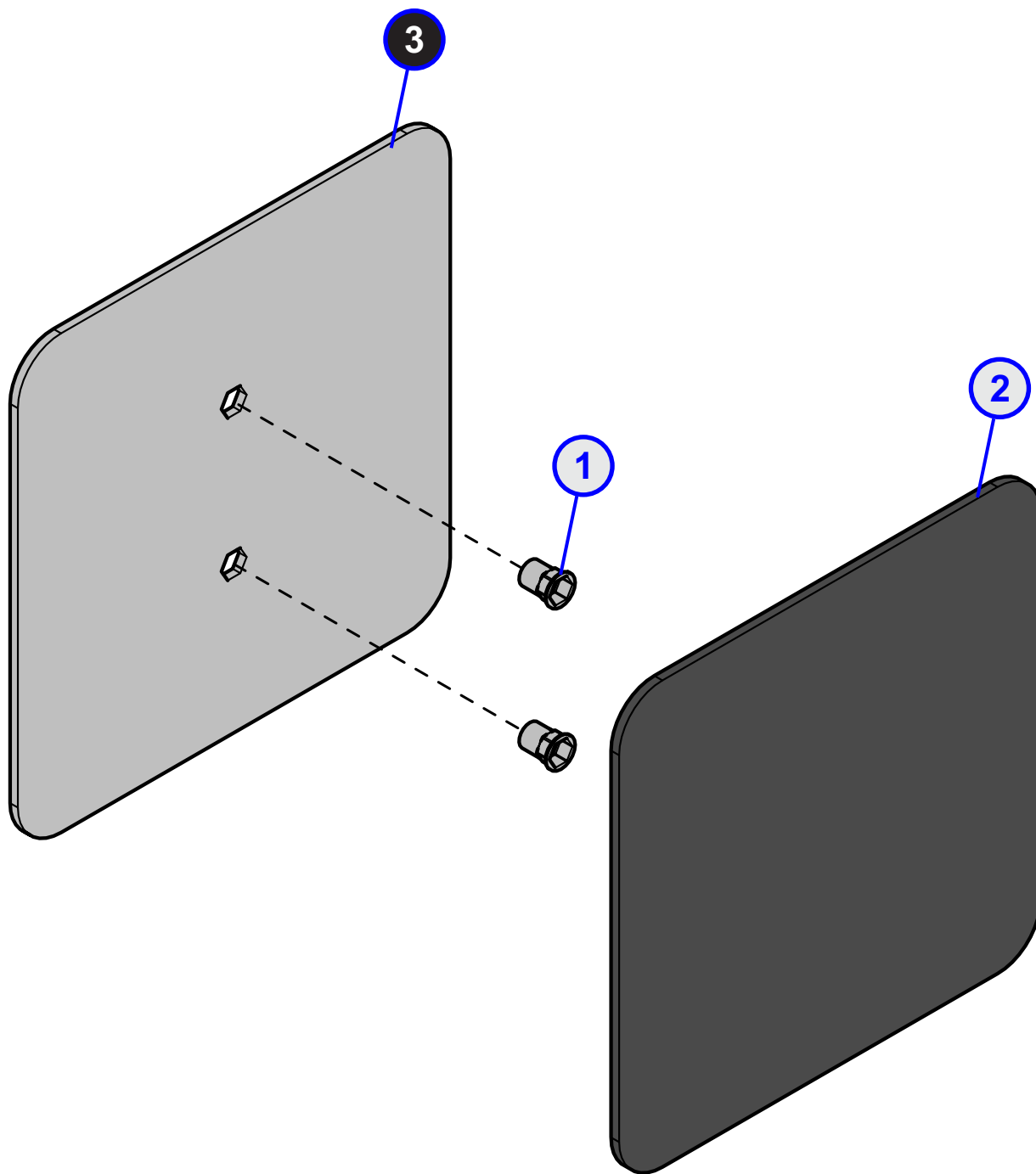
ITEM NO.	QTY.	PART NO.	DESCRIPTION
1	4	1002878-0003	1.00" ID 1.25" OD BRONZ BUSHING
2	1	9304100	WLDMT, HDL, ROW, SEAT FRAME



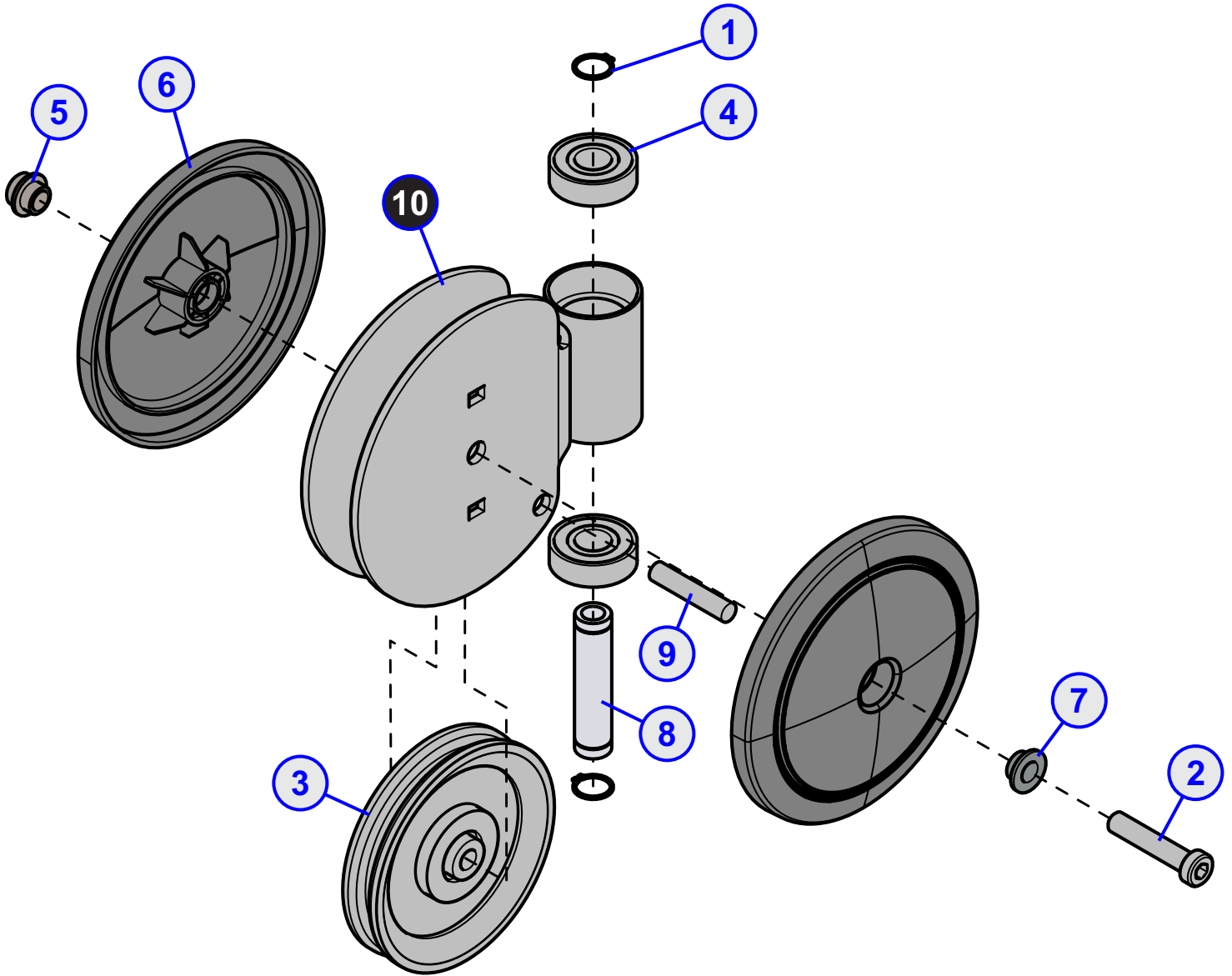
ITEM NO.	QTY.	PART NO.	DESCRIPTION
1	4	1002878-0003	BRNG, FLANGE 1.00 ID X 1.25 OD
2	1	9304800	WLDMT, HDLROW, SEAT



ITEM NO.	QTY.	PART NO.	DESCRIPTION
1	4	3114407	WASHER, FLAT #10 SAE ST BZ
2	4	3270601	SCREW, #10-32 X 3/8 TRX PAN ST BZ
3	1	7810801	PAD, RUBBER FOOT, 10-0101-006, BNR
4	1	9327700	WLDMT, HDL, SEAT, ROW



ITEM NO.	QTY.	PART NO.	DESCRIPTION
1	2	3229701	3/8-16 BLIND THRED INSERT HEX
2	1	9305301	RUBBER, HDL, ROW, HANDLE REST
3	1	9306001	PLATE, HDL, ROW, HANDLE REST



ITEM NO.	QTY.	PART NO.	DESCRIPTION
1	2	3232413	RING, BRE .631, 5100-66, ST PP B
2	1	3236207	SCREW, M10 X1.5 50MM
3	1	3237801	PULLEY, 1/4 IN CABLE (T3), 4.5 IN OD
4	2	3245901	BEARING, 6203
5	1	7335401	NUT, M10 X 1.5 SOCKET HEAD
6	2	7629901	COVER, PULLEY- BOLTED FULL
7	1	7630101	RETAINER, CM/MJ PULLEY
8	1	7645401	SHAFT, CM/MJ, 6203 BRNG
9	1	9327201	ROUND, 3/8 RETAINER
10	1	9327900	WLDMT, HDL, ROW, SWIVEL PULLEY

HDLPD
HDLDPR

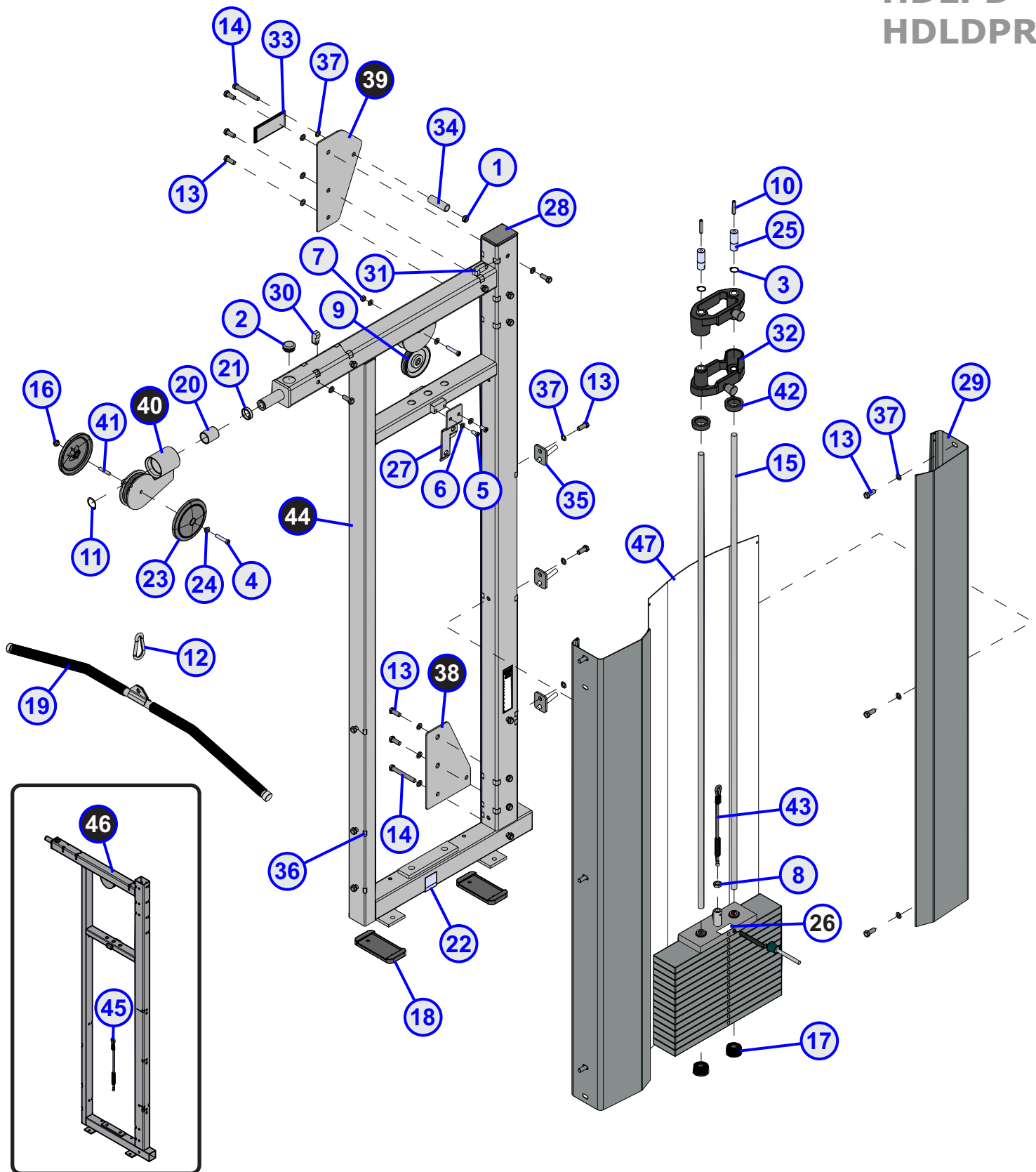
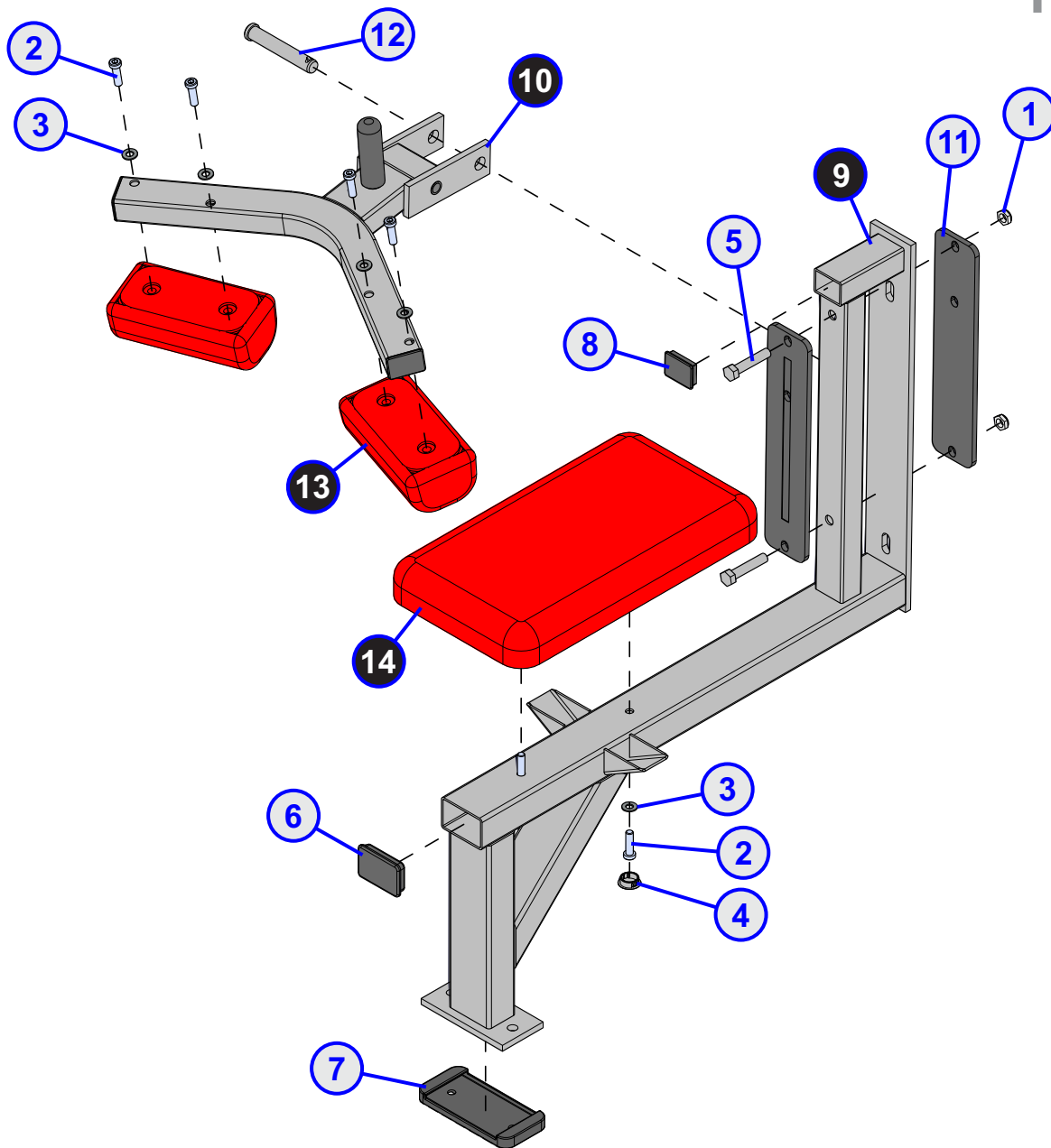
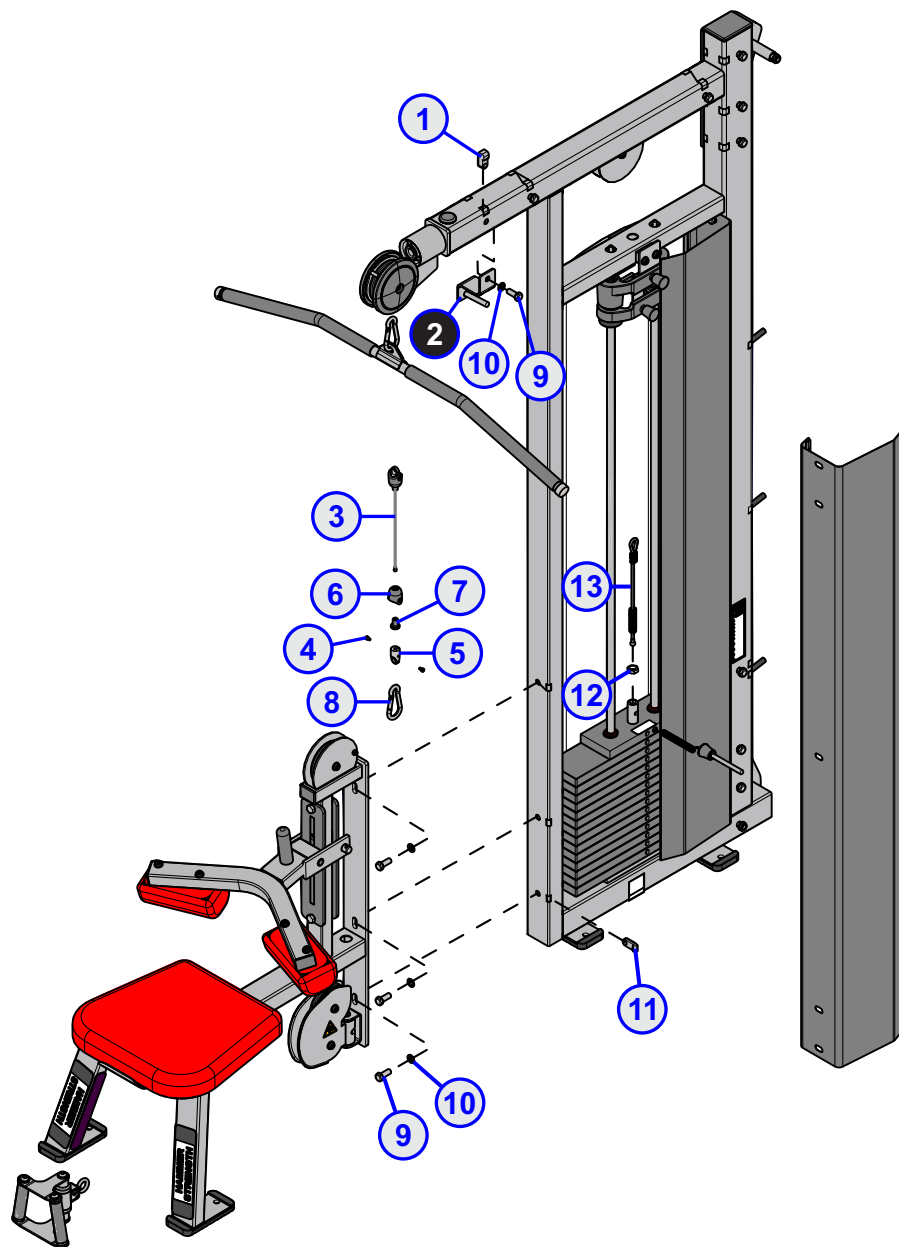


TABLE ON FOLLOWING PAGE

ITEM NO.	QTY.	PART NO.	DESCRIPTION
1	2	NUT.5JAMLOCK	1/2 THIN LOCK NUT
2	1	3119307	CAP, END ROUND
3	2	3232421	RING, BRE .940, 5100-100 ST PP B
4	2	3236207	SCREW, M10 X1.5 50MM
5	2	3236201	SCREW, M10 X1.5 20MM
6	4	WASH.375SAE	3/8" SAE FLAT WASHER
7	1	3236801	NUT, M10 HEX NYLOCK SS
8	1	3236902	NUT, HEX JAM M16 X 2 SS
9	2	3237801	PULLEY, 1/4 IN CABLE (T3), 4.5 IN OD
10	2	3240502	M10 X 1.5 X 50 HXS NO CUP ST BO
11	1	3243905	RING, BRE M19, ST, PP
12	1	3250201	SNAP LINK, 3/8" DIA
13	33	3272805	1/2 IN-13 X 1.25 IN UNC HHCS G5 ZN
14	2	3272816	1/2 IN-13 X 4.00 IN UNC HHCS G5 ZN
15	2	7328618	GUIDE ROD, .75 OD SOLID 71.50
16	1	7335401	NUT, M10 X 1.5 SOCKET HEAD
17	2	7352101	CUSHION, WEIGHT STACK
18	2	MM-9	3 X 6 FLANGE RUBBER SLIPPER
19	1	7442301	PTD ASSY, LAT BAR
20	1	7511502	SPACER, FZ/PS INTERNAL 1.845
21	1	7511501	SPACER, FZ/PS INTERNAL .403
22	1	-	LABEL, SERIAL NUMBER, BLANK
23	2	7629901	COVER, PULLEY- BOLTED FULL
24	1	7630101	RETAINER, CM/MJ PULLEY
25	2	7634401	RETAINER, CM/MJ, GUIDEROD
26	1	77445XX	LABEL, WEIGHT AT HANDLE
27	1	9231103	STRIKER PLATE, INCR WGT, HT AND PLATED
28	1	9043101	CAP, END 3 X 4
29	2	9045793	SHROUD, HDEDAP, FNT -HWG
30	14	9097301	NUT, RECT TUBING, 7GA, 3"
31	12	9097302	NUT, RECT TUBING, 7GA, 4"
32	2	9102601	ASSY, INCREMENT WGT.
33	1	H-NAMEPLATE	HAMMER STRENGTH BADGE
34	1	9124100	TUBE, HDEHR/MR, SPACER, 9' RACK
35	3	9306493	WLDMT, HDL, PEG
36	6	9311803	NUT, RECT TUBING, 11GA, 3"
37	37	WASH.5STAR	1/2" INTERNAL LOCK WASHER
38	1	9016400	PLATE, HDE, ANVIL, LOWER
39	1	9212400	PLATE, HDE, ANVIL, UPPER
40	1	9303400	WLDMT, HDL P/D, PULLEY
41	1	9327201	ROUND, 3/8 RETAINER
42	2	7767601	BUMPER, PS INCREMENT WT -SGY
43	1	1003787-0005	CABLE: M16TP, LOOP; 109.500 (8 FOOT)
44	1	9302900	WLDMT, HDL PULLDOWN, FRAME 8FT
45	1	1003787-0007	CABLE: M16TP, LOOP; 127.500
46	1	9345300	WLDMT, HDL PULLDOWN, FRAME 9FT
47	1	9046501	SHROUD, HDEDAP, REAR



ITEM NO.	QTY.	PART NO.	DESCRIPTION
1	2	NUT.5JAMLOCK	1/2 THIN LOCK NUT
2	6	3236204	SCREW, M10 X1.5 35MM
3	6	WASH.375SAE	3/8" SAE FLAT WASHER
4	2	3237403	PLUG, 1" HOLE
5	2	HHB.5X2.5	1/2 X 2 1/2 BOLT
6	1	7352301	CAP, END 2 X 3
7	1	MM-9	3 X 6 FLANGE RUBBER SLIPPER
8	1	RC1520-1Q1	CAP:1-1/2 X 2 RECTANGLE PLUG
9	1	9302000	WLDMT, HDL, P/D, SEAT
10	1	CST4	ASSY, STD SEAT 4
11	2	H-SEATRCKS-N	PLASTIC SEAT GUIDES(PP229)NEW)
12	1	STD SEAT PIN	STD SEAT PIN
13	2	75013XX	PAD, 8 X 4 X 2-3/4
14	1	72973XX	PAD, 18 X 10



ITEM NO.	QTY.	PART NO.	DESCRIPTION
1	1	9097301	NUT, RECT TUBING, 7GA, 3 IN.
2	1	1001363-0000	WLDMT, HDL, CABLE HOOK
3	1	1002947-0001	CABLE: ROW, HDL DPR, 8'
		1002947-0002	CABLE: ROW, HDL DPR, 9'
4	4	3250002	M5 X 0.8 HXS SOC CS ST BZ X 8
5	2	8943601	LINK, CM/MJ, CABLE END
6	2	8943701	HSNG, CM/MJ, CABLE END
7	2	8943801	INSERT, CM/MJ, CABLE END
8	1	3250201	SNAP LINK, 3/8" DIA
9	4	3272805	1/2 IN - 13X 1.25 IN UNC HHCS G5 ZN
10	4	WASH.5STAR	1/2 INTERNAL LOCK WASHER
11	3	9311803	NUT, RECT TUBING, 11GA, 3"
12	1	3236902	NUT, HEX JAM M16 X 2 SS
13	1	1003787-0005	CABLE: M16TP, LOOP; 109.500 (8 FOOT)
		1003787-0007	CABLE: M16TP, LOOP; 127.500 (9 FOOT)

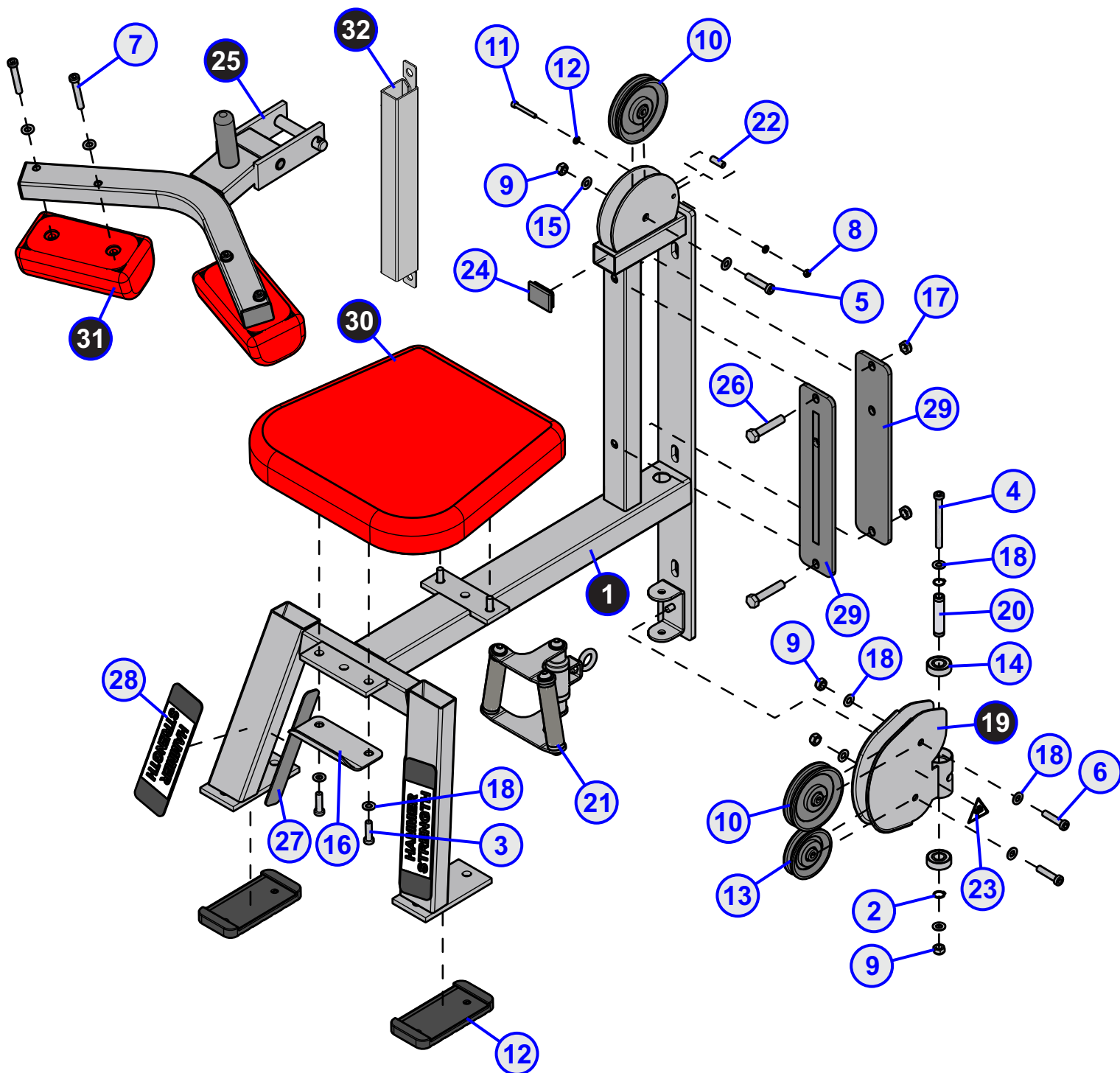
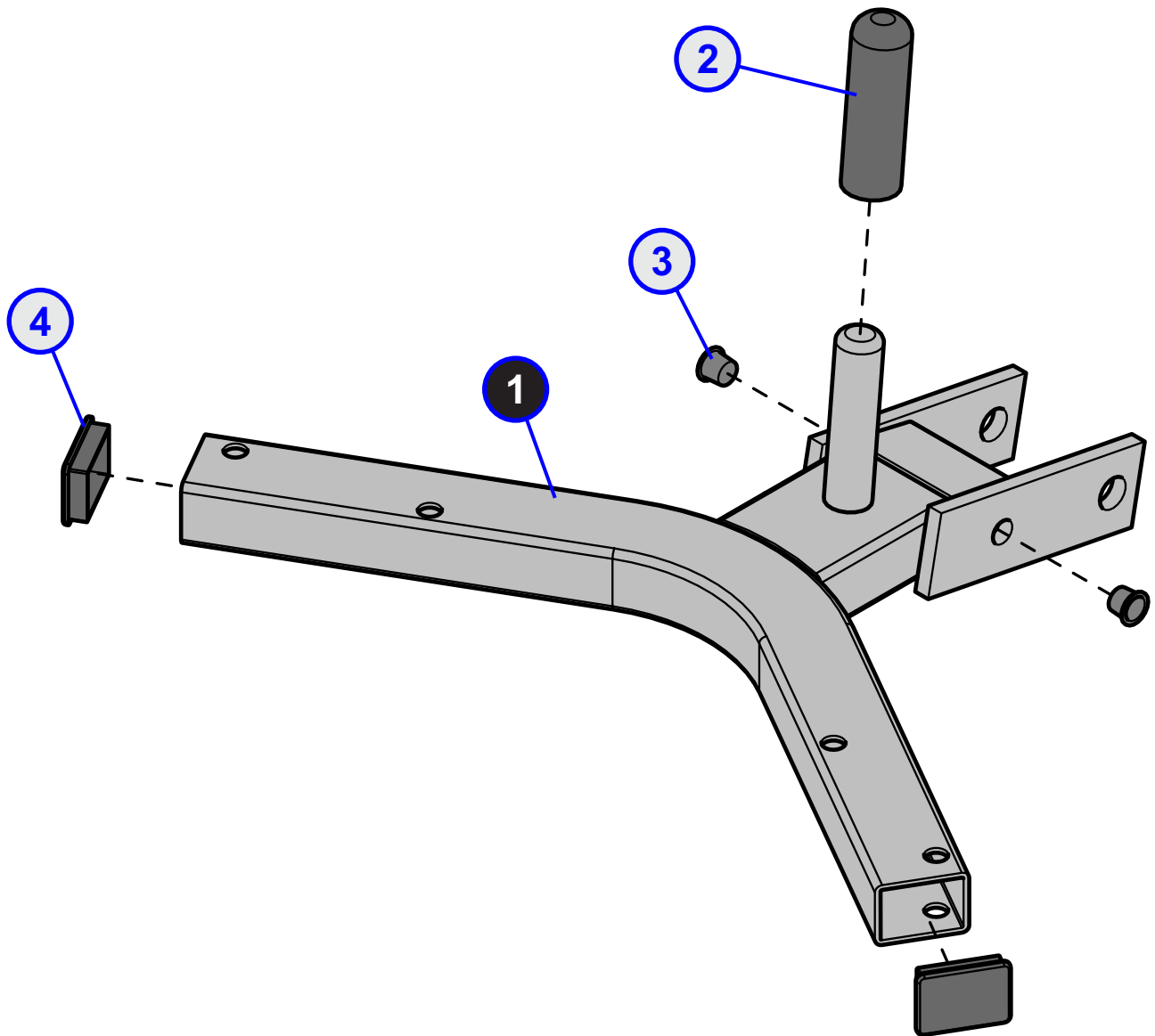


TABLE ON FOLLOWING PAGE

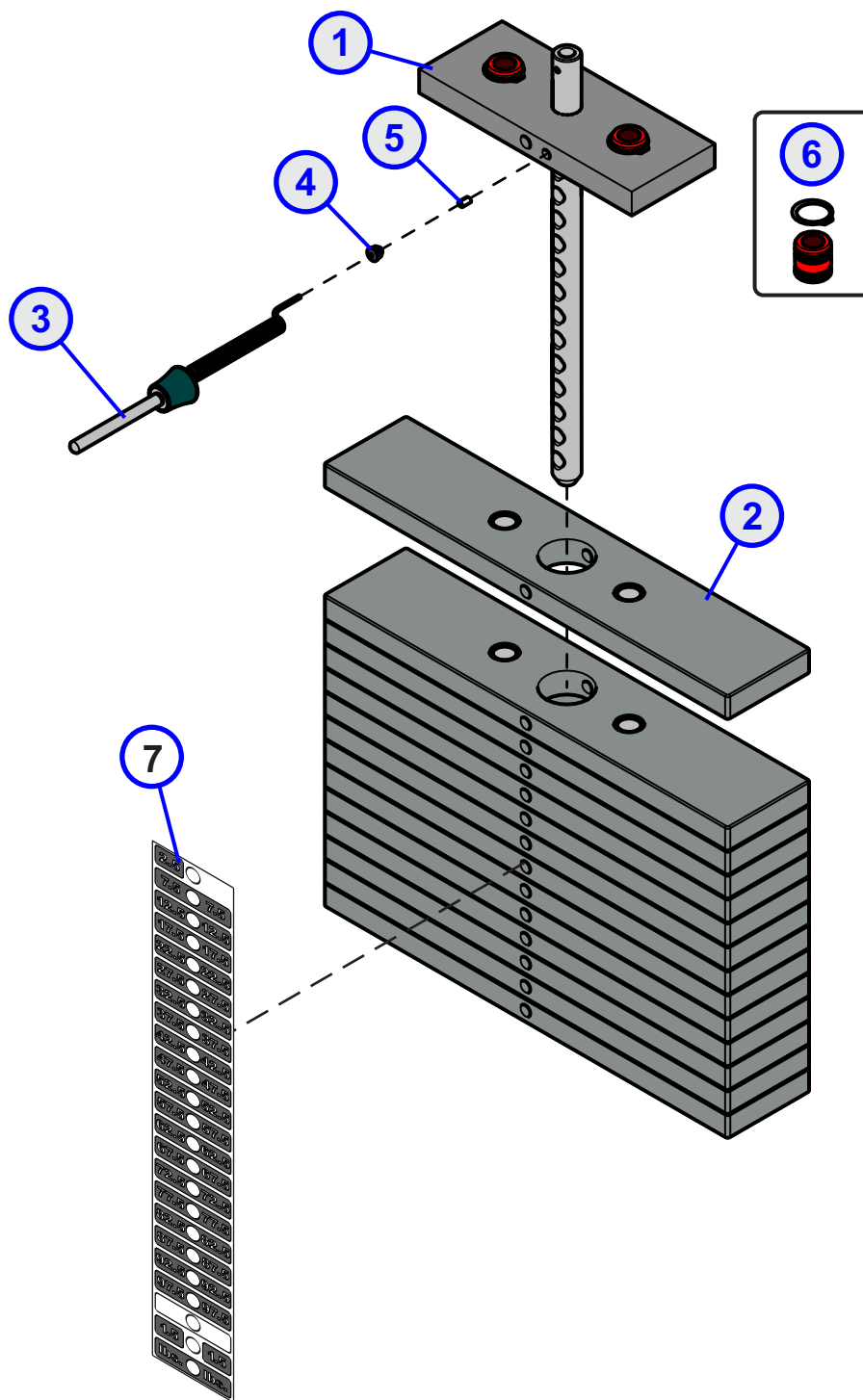
ITEM NO.	QTY.	PART NO.	DESCRIPTION
1	1	1001261-0000	WLDMT, HDL DPR, SEAT
2	2	3232413	RING, BRE .631, 5100-66, ST PP B
3	4	3236204	SCREW, M10 X1.5 35MM
4	1	3236217	SCREW, M10 X1.5 100MM
5	1	3236207	SCREW, M10 X1.5 50MM
6	2	3236206	SCREW, M10 X1.5 45MM
7	4	3236210	SCREW, M10 X1.5 65MM
8	1	3236802	NUT, M6 HEX NYLOCK SS
9	4	3236801	NUT, M10 HEX NYLOCK SS
10	2	3237801	PULLEY, 1/4 IN CABLE (T3), 4.5 IN OD
11	1	3241706	SCREW, M6 X1 45MM
12	2	MM-9	3 X 6 FLANGE RUBBER SLIPPER
13	1	3245701	PULLEY, 3.5" OD, 10MM ID
14	2	3245901	BEARING, 6203
15	2	3236601	WASHER, 3/8 SAE SS
16	1	1008562-0001	PLATE: GUARD, SEAT
17	2	NUT.5JAMLOCK	1/2 THIN LOCK NUT
18	16	WASH.375SAE	3/8" SAE FLAT WASHER
19	1	7633301	WLDMT, CM/MJ, SWIVEL PULLEY
20	1	7645401	SHAFT, CM/MJ, 6203 BRNG
21	1	7732301	HANDLE, MJRW
22	1	8002401	SPACER, CM/MJ PULLEY
23	1	8039501	LABEL, WARNING, TRIANGLE, 10-0099-067, BNR
24	1	RC1520-1Q1	CAP:1-1/2 x 2 RECTANGLE PLUG
25	1	CST4	ASSY, STD SEAT 4
26	2	HHB.5X2.5	1/2 X 2 1/2 BOLT
27	2	NONSKID 1 X 9	PLASTIC NON SKID STRIP 1 X 9
28	2	H-NONSKID 3X9	PLASTIC NON SKID STRIP 3 X 9
29	2	H-SEATRCKS-N	PLASTIC SEAT GUIDES(PP229)NEW)
30	1	88542XX	PAD, SEAT 17 X 16-3/4 CUS
31	2	75013XX	PAD, 8 X 4 X 2-3/4
32	1	1012602-0000	TUBE: GUARD, CABLE, HDL DPR

HDLPD
HDLDR



ITEM NO.	QTY.	PART NO.	DESCRIPTION
1	1	ST4	WLDMT, STD SEAT 4
2	1	H-GRIP	HANDLE GRIPS (.938X16)
3	2	H-HPLUG(REG)	H-PLUG 9-16
4	2	RC1520-1Q1	CAP:1-1/2 X 2 RECTANGLE PLUG

HDLPD
HDLROW
HDL DPR

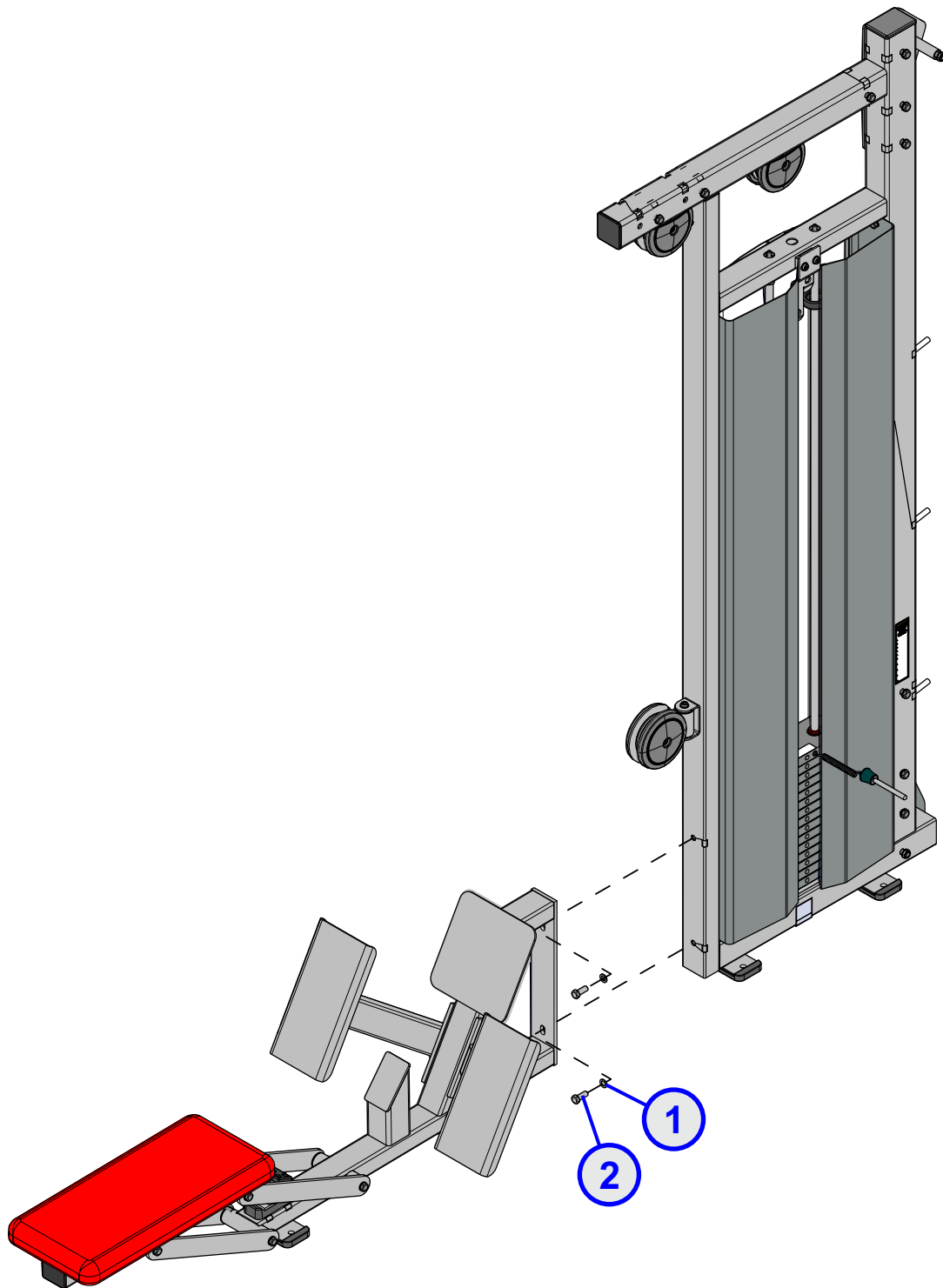


ITEM NO.	QTY.	PART NO.	DESCRIPTION
1	1	8920101	14 HOLE HEAD PLATE/BAYONET SER. KIT ASSY
2	14	7328401	WEIGHT PLATE, 20 LB
3	1	7353001	ASSY, SELECTOR PIN
4	1	7356501	PLUG, LANYARD ATTACHMENT
5	1	7523601	CRIMP, CABLE
6	X	7338001	BUSHING KIT, HEADPLATE
7	1	7927201	LABEL, 390 LB STACK
		7927301	LABEL, 195 KG STACK

ROW & PULLDOWN

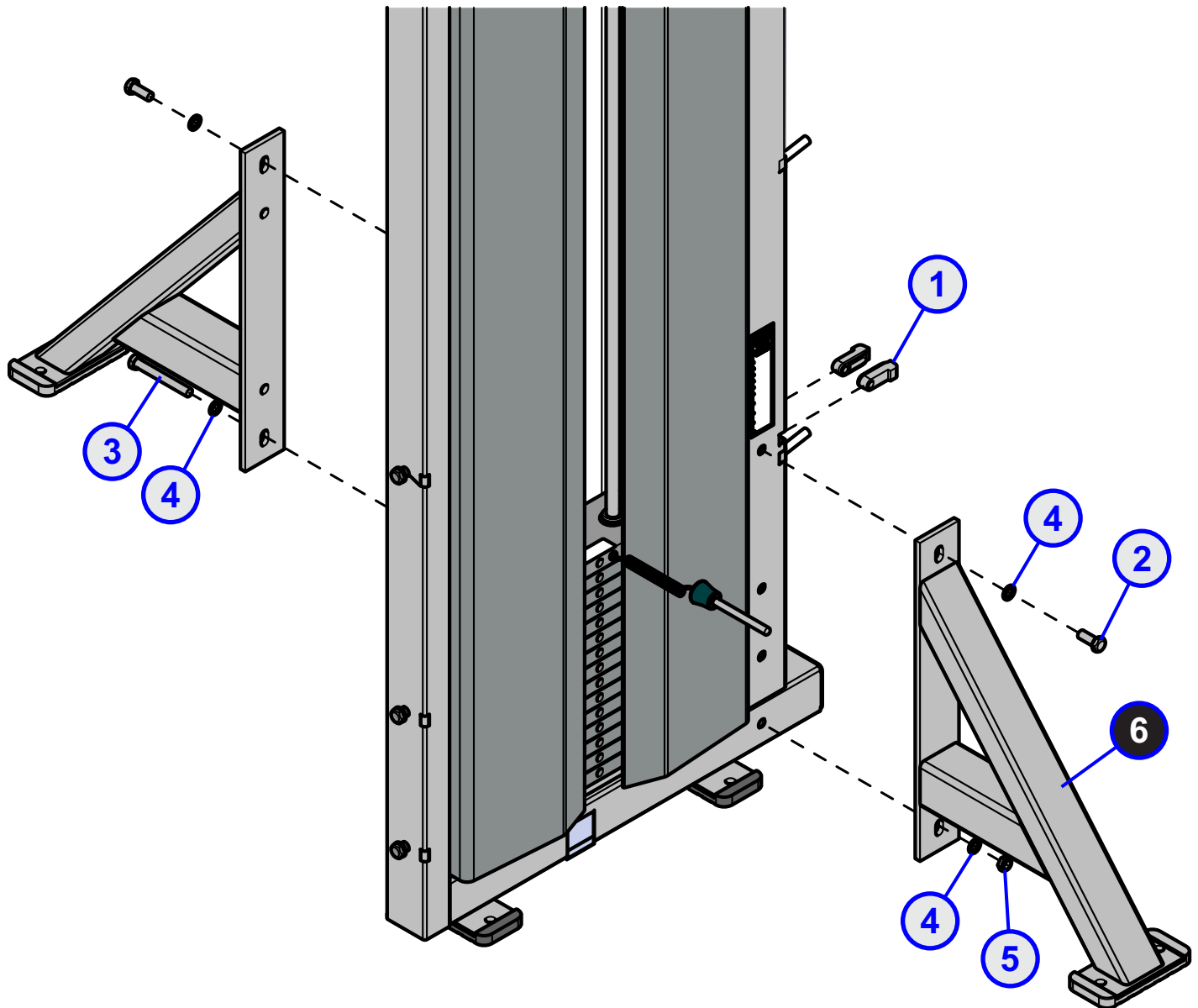
CONNECTING HARDWARE

SHOWN: HDLROW

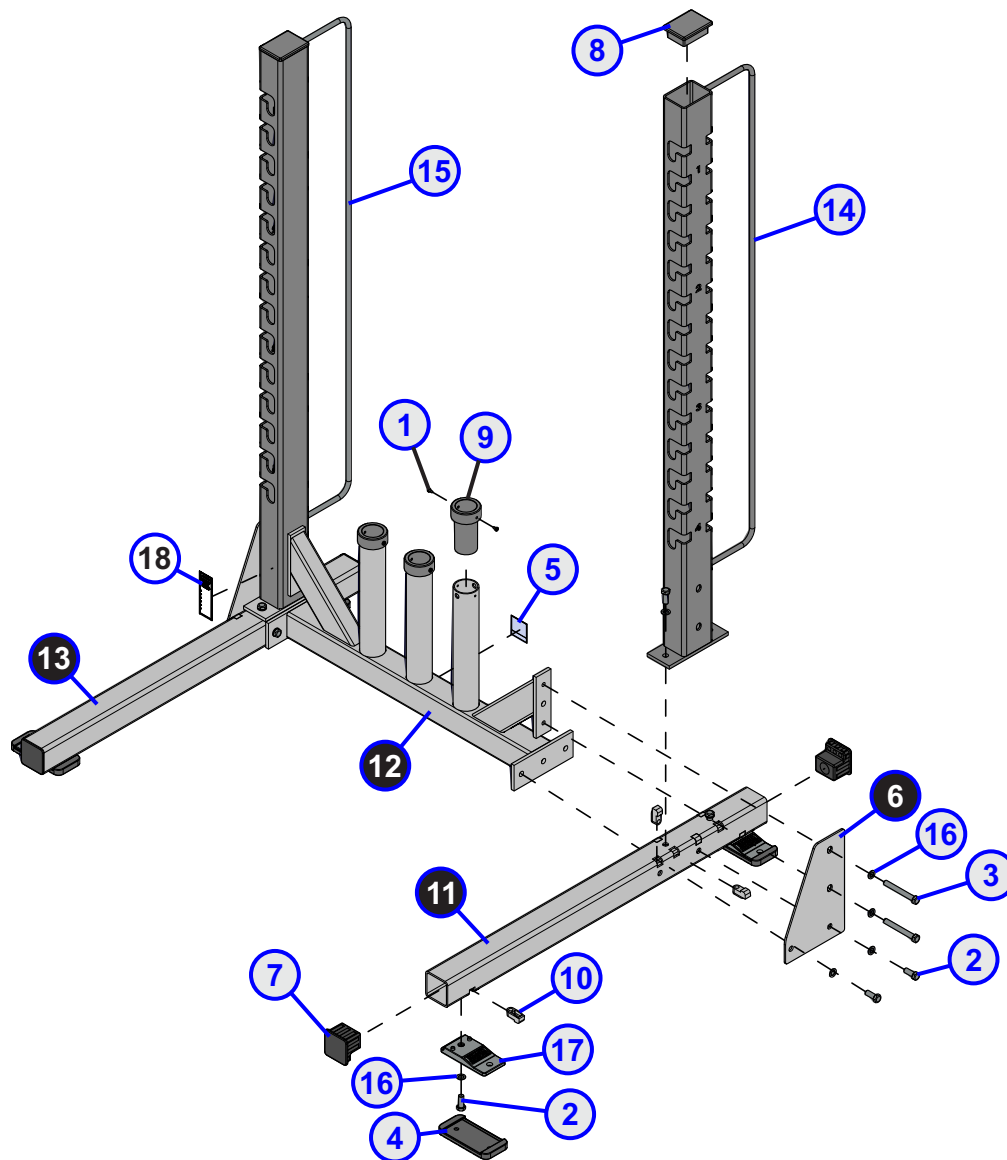


ITEM NO.	QTY.	PART NO.	DESCRIPTION
1	2	WASH.5STAR	1/2 INTERNAL LOCK WASHER
2	2	3272805	1/2 IN - 13X 1.25 IN UNC HHCS G5 ZN

HDLPD
HDLROW
HDLDPR



ITEM NO.	QTY.	PART NO.	DESCRIPTION
1	2	9097302	NUT, RECT TUBING, 7GA, 4 IN.
2	2	3272805	1/2 IN - 13X 1.25 IN UNC HHCS G5 ZN
3	1	3272816	1/2 IN.-13 X 4.00 IN. UNC HHCS G5 ZN
4	4	0017-00104-0379	WSH 500- LK-D ST ZN B
5	1	3102804	NUT, NYLOCK 1/2-13 LOW HT
6	2	9301500	WLDMT, HDL, SIDE FRAME



ITEM NO.	QTY.	PART NO.	DESCRIPTION
1	6	3270601	SCREW, #10-32 X 3/8 TRX PAN ST BZ
2	16	3272805	1/2 IN-13 X 1.25 IN UNC HHCS G5 ZN
3	4	3272816	1/2 IN-13 X 4.00 IN UNC HHCS G5 ZN
4	4	MM-9	3 X 6 FLANGE RUBBER SLIPPER
5	1	-	LABEL, SERIAL NUMBER, BLANK
6	2	9016400	PLATE, HDE, ANVIL, LOWER
7	4	9212801	CAP, 3X3 SQ END
8	2	9043101	CAP, END 3 X 4
9	3	9045101	CAP, HDE, LANDMINE, WORK ARM
10	16	9097301	NUT, RECT TUBING, 7GA, 3"
11	1	9503401	TUBE, HDLAC, BASE, RT
12	1	9170000	WLDMT, HDEAC, BASE, X-MEM
13	1	9503501	TUBE, HDLAC, BASE, LT
14	1	9170493	WLDMT, HDEAC, UPRIGHT, RT -HWG
15	1	9170693	WLDMT, HDEAC, UPRIGHT, LT -HWG
16	20	WASH.5STAR	1/2" INTERNAL LOCK WASHER
17	4	9407393	FOOT, HDL - HWG
18	1	89265XX	LABEL, ASTM, OLY VERT