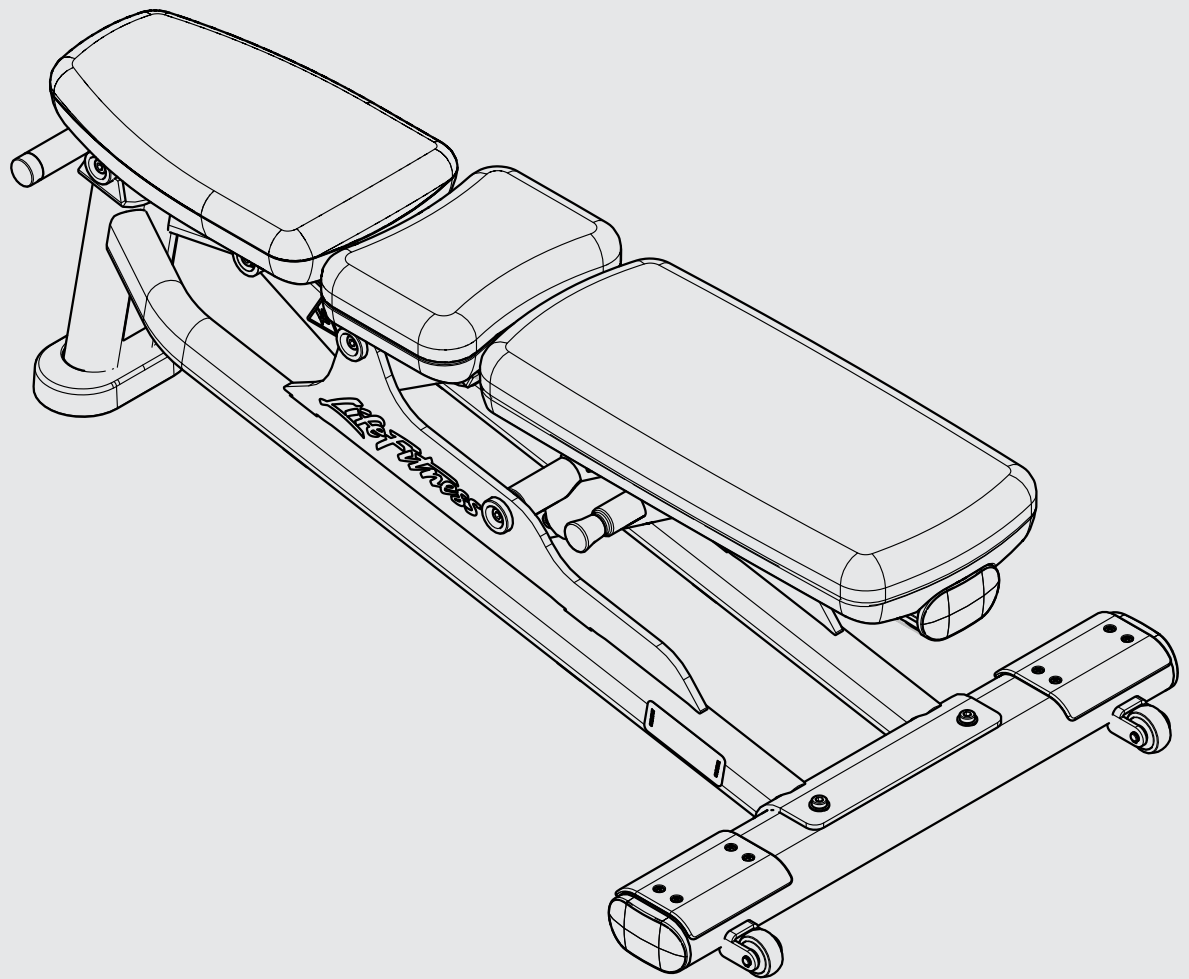


SIGNATURE SERIES BENCHES AND RACKS  
SIGNATURE MULTI ADJUST BENCH  
SMAB  
PARTS MANUAL





# SMAB-003 Multi Adjustable Bench

## Contents

---

Frame and Upholstery Colors .....	3
Component Assembly .....	4
Frame Assembly .....	5
Frame Assembly Legend .....	6
Back Pad Support Assembly .....	7
Seat Adjustment Assembly .....	8
Stabilizer Assembly .....	9

### Key

-  Indicates Painted Frame Color Item  
- see Frame and Upholstery Color page for ordering information
-  Indicates Upholstery Color Item  
- see Frame and Upholstery Color page for ordering information

# SMAB-003 Multi Adjustable Bench

## Frame and Upholstery Colors

---

### Strength Frame Colors



White 01



Platinum 02



Black 03

Replace "XX" suffix with color codes above when ordering frame assemblies or weldments.

---

### Strength Upholstery Colors



Black 01



American Beauty Red 07



Azure 20



Cranberry 04



Graphite 22



Hunter Green 13



Regimental Blue 14



Royal Blue 02



Slate 03



Wheat 21



Burgundy 29



Candy Apple Red 28



Chestnut 34



Concord 16



Crocus 19



Dove Gray 37



Emerald 27



Grotto 25



Gun Metal 39



Imperial Blue 33



Jade 26



Navy 32



Northwoods Green 05



Paprika 35



Plum 30



Putty 38



Space Blue 06



Suede 08



Terra Cotta 36

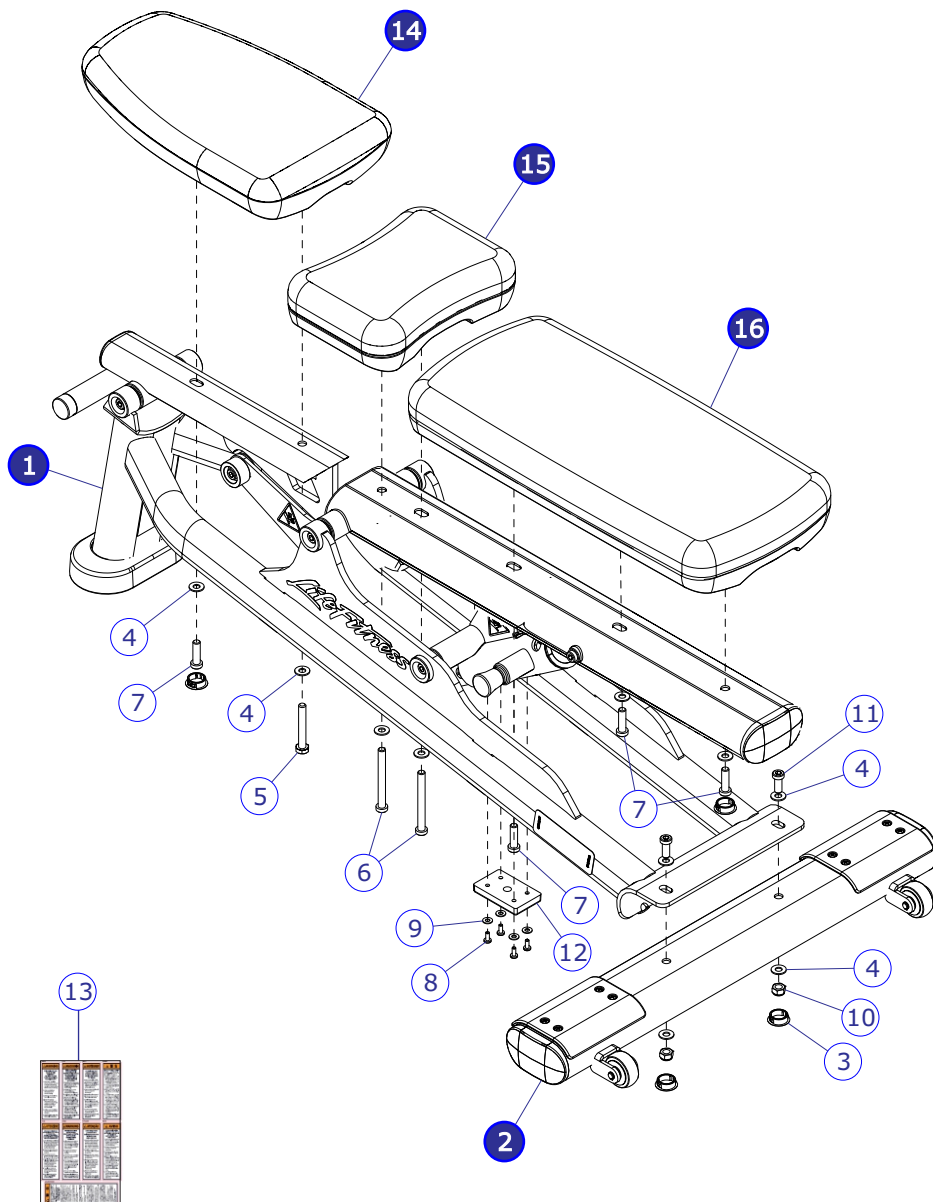


Turquoise 17

Replace "XX" suffix with color codes above when ordering upholstery pads.

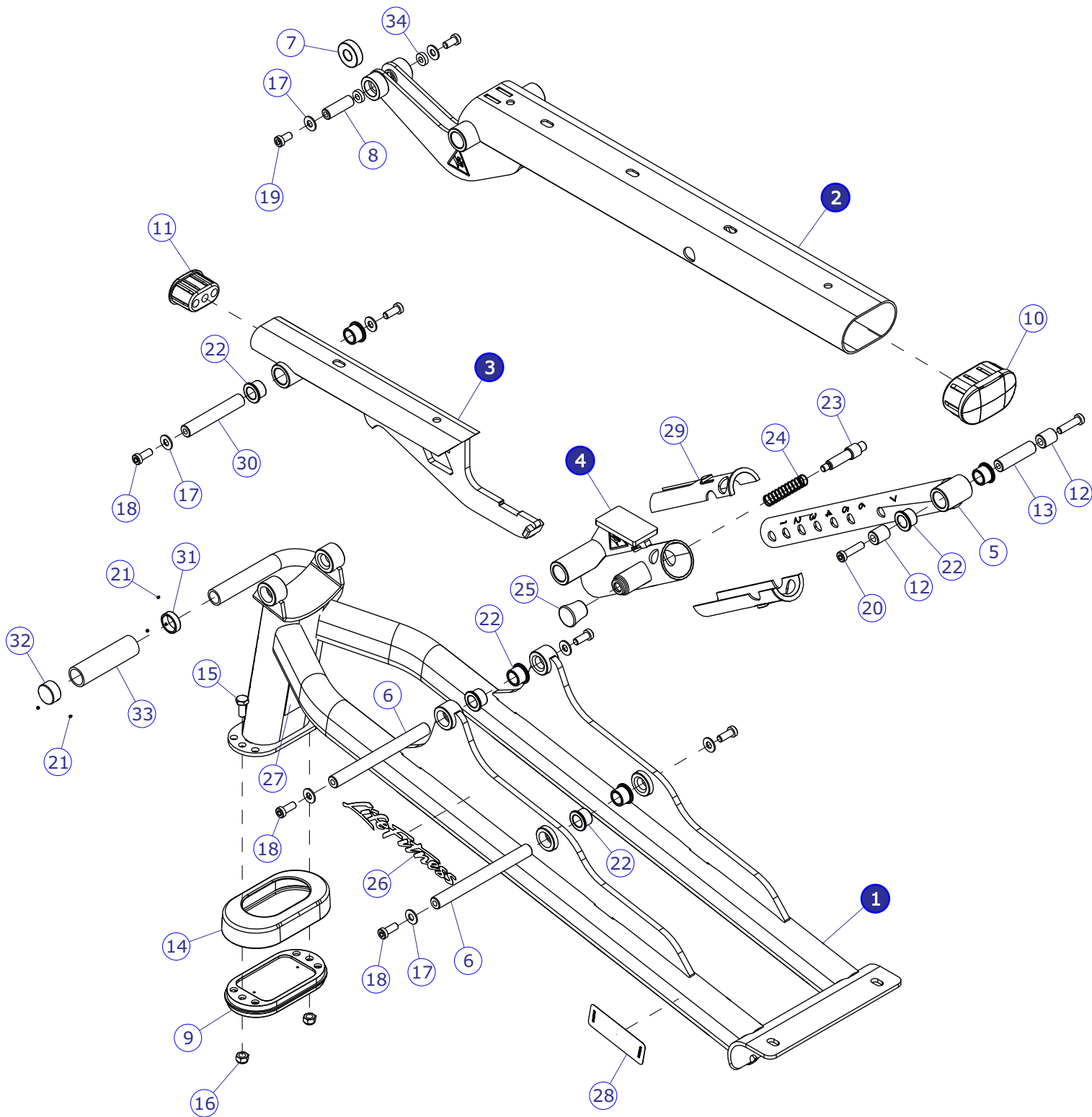
# SMAB-003 Signature Multi Adjustable Bench

## Component Assembly



ITEM NO.	QTY.	PART NO.	DESCRIPTION
1	1	SEE PAGE 5	ASSY, SMAB, FRAME
2	1	SEE PAGE 9	PTD. ASSY, SMAB, STABILIZER
3	4	3237403	PLUG, 1" HOLE
4	11	3102514	WASHER, TYPE A PLAIN
5	1	3254911	SCREW, M10 X1.5 X 70MM UNS HEX CS ST ZN
6	2	3256216	SCREW, M10 X1.5 95MM
7	4	LEA3256204	SCREW, M10 X1.5 35MM
8	4	3239102	SCREW, M5X12 PHL PAN TT ST BZ
9	4	3114407	WASHER, SAE #10
10	2	3242002	NUT, M10 X 1.5 HEX NYLOCK
11	2	LEA3256202	SCREW, M10 X1.5 25MM
12	1	7810801	PAD, RUBBER FOOT
13	1	8137701	LABEL, ASTM, OLY HORZ-SHEET
14	1	78138XX	PAD, 10 X 16 TAPERED CONVEX
15	1	80325XX	PAD, 8 X 11 CONCAVE LUMBAR
16	1	78140XX	PAD, 24 X 11 FLAT

# SMAB-003 Signature Multi Adjustable Bench Frame Assembly



SEE PAGE 6 FOR LEGEND

# SMAB-003 Signature Multi Adjustable Bench Frame Assembly Legend

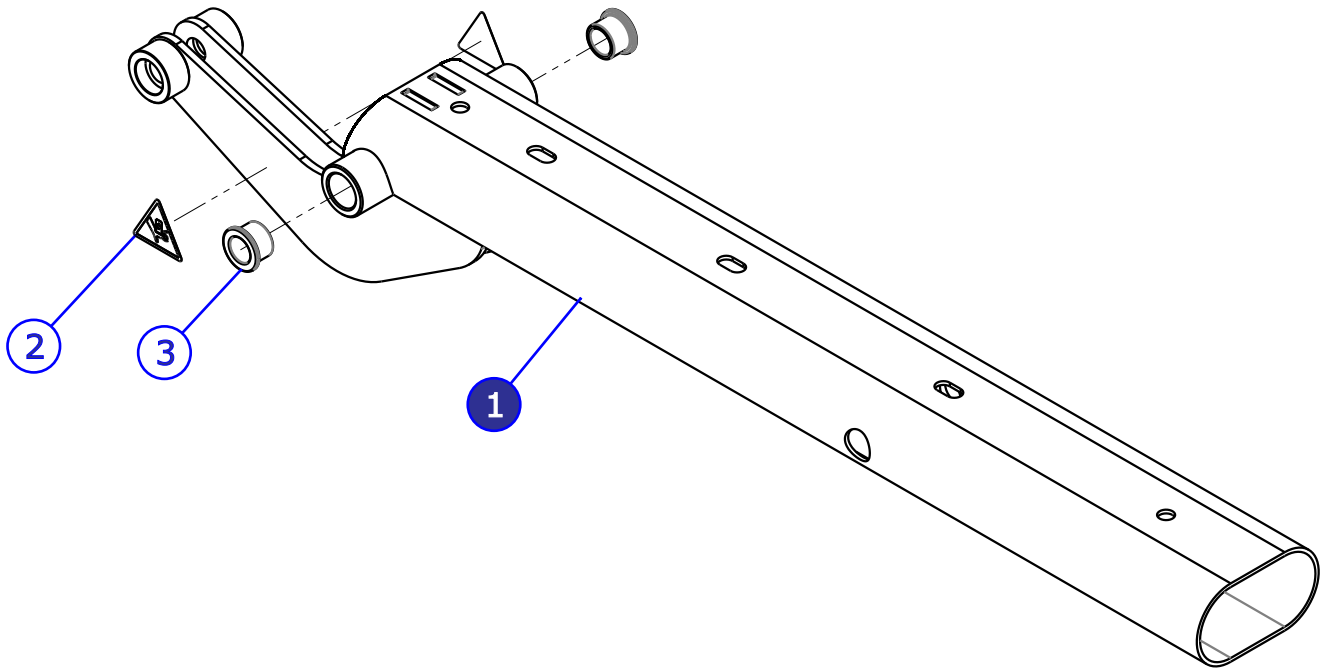
---

ITEM NO.	QTY.	PART NO.	DESCRIPTION
1	1	91837XX	WLDMT, SMAB, BASE
2	1	91844XX	ASSY, SMAB, BACK PAD SPRT
3	1	91841XX	WLDMT, SMAB, SEAT
4	1	91852XX	ASSY, SMAB, BACK SPRT ADJ
5	1	9185701	WLDMT, SMAB, BACK SPRT, INNER TUBE
6	2	8181301	SHAFT, 0.75" DIAM
7	1	8181001	BEARING, BALL, 6203-2Z, SMAB
8	1	8181401	SHAFT, SMAB, SEAT FRONT PIVOT
9	1	7763001	FOOT, 2.50 X 4.49 FLOV
10	1	1002166-0200	ENDCAP: LARGE FLOV, SHADOW GRAY
11	1	7800501	CAP, SML FLOV END
12	2	8140201	SPACER, .85 OD X .42 ID X 1"LONG
13	1	8140101	SHAFT; PIVOT, SMAB
14	1	7340201	COVER, FOOT - STRAIGHT
15	2	3251202	SCREW, M10 X1.5 X 25MM UNS HEX CS ST ZN
16	2	3242002	NUT, M10 X 1.5 HEX NYLOCK
17	8	8547501	WASHER, SMAB / SADB, SPECIAL
18	6	3256202	SCREW, M10 X1.5 25MM
19	2	3256201	SCREW, M10 X1.5 20MM
20	2	3256205	SCREW, M10 X1.5 40MM
21	4	3247701	M4 X .7 HXS NO CUP ST BO
22	8	3104901	.75" ID 1.00" OD BRONZE BUSHING
23	1	7351302	PIN, PULL X 3.375
24	1	7351501	SPRING, PULL PIN LARGE
25	1	7351401	KNOB, TULIP STYLE
26	2	7865201	LABEL, LIFE FITNESS LOGO
27	1	-	LABEL, SERIAL NUMBER, LARGE
28	1	7002501	LABEL, H WARNING 4.5 X 1.625
29	2	8087201	BUSHING, SLIP TUBE, PLASTIC
30	1	8239501	SHAFT, 0.75" OD X 4.5"
31	1	7662801	RING, GRIP 1.25 OD
32	1	7662901	CAP, GRIP 1.25 OD
33	1	8245801	GRIP, 1.25 OD X 4.5" LENGTH
34	2	8680401	WASHER, OD 23.5 X ID 17.2 X 3

# SMAB-003 Signature Multi Adjustable Bench

## Back Pad Assembly - 91844XX

---

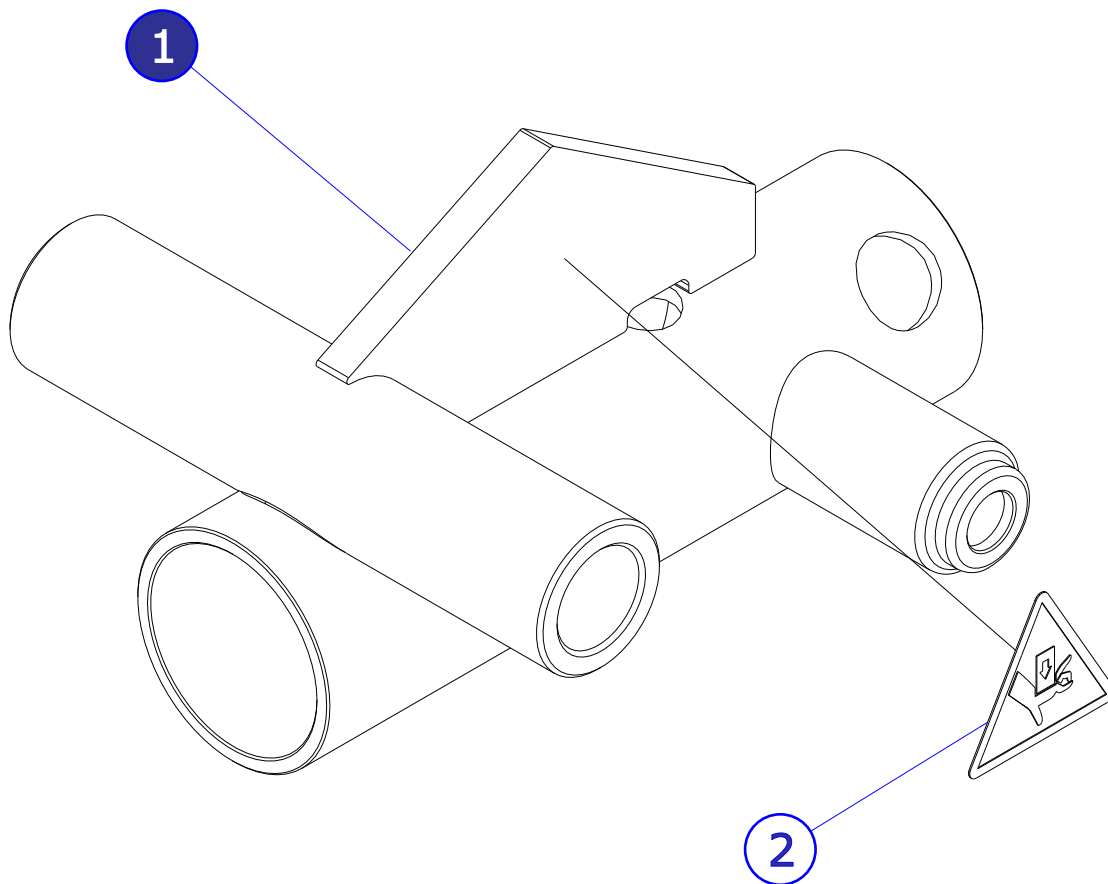


ITEM NO.	QTY.	PART NO.	DESCRIPTION
1	1	91844XX	ASSY, SMAB, BACK PAD SPRT
2	2	8039501	LABEL, WARNING, TRIANGLE
3	2	3104901	.75" ID 1.00" OD BRONZE BUSHING

# SMAB-003 Signature Multi Adjustable Bench

## **Seat Adjustment Assembly - 82442XX**

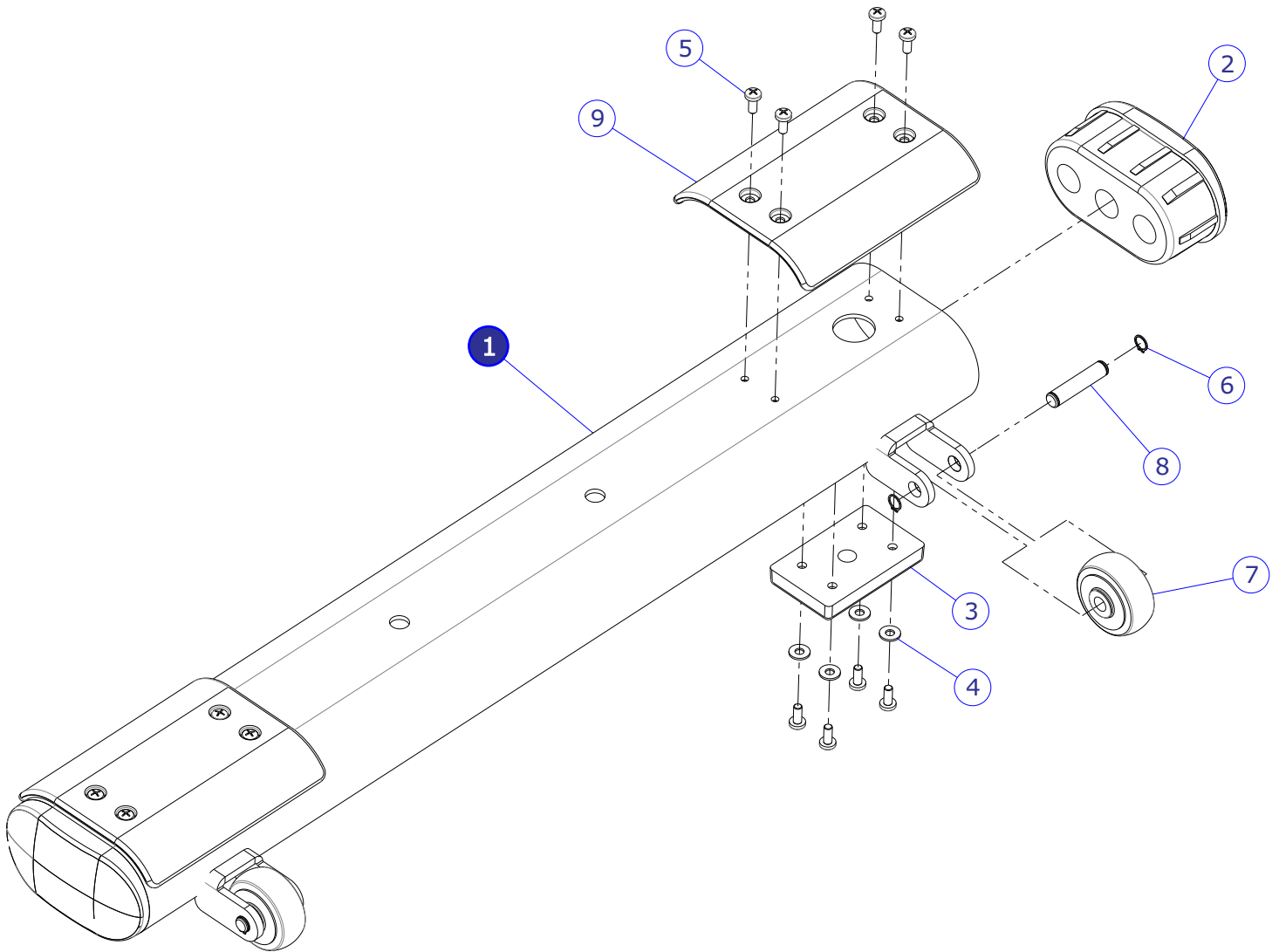
---



<b>ITEM NO.</b>	<b>QTY.</b>	<b>PART NO.</b>	<b>DESCRIPTION</b>
1	1	82442XX	ASSY, SMAB, SEAT ADJ
2	2	8039501	LABEL, WARNING, TRIANGLE



# SMAB-003 Signature Multi Adjustable Bench Stabilizer Assembly - 85772XX



ITEM NO.	QTY.	PART NO.	DESCRIPTION
1	1	85771XX	WLDMT, SMAB, STABILIZER
2	2	1002166-0200	ENDCAP: LARGE FLOV, SHADOW GRAY
3	2	7810801	PAD, RUBBER FOOT
4	8	3114407	WASHER, SAE #10
5	16	3239102	SCREW, M5X12 PHL PAN TT ST BZ
6	4	3232405	RING, RETAINING, EXTERNAL
7	2	7656301	WHEEL, 2 OD X 3/8 ID RUBBER
8	2	7705302	AXLE, WHEEL
9	2	7821701	GUARD, SHORT PAINT