

HAMMER
STRENGTH

End of Life

Refer to HDL parts manual for any upright attachments
(ie. bar catches, bar supports, dip handle, etc.)

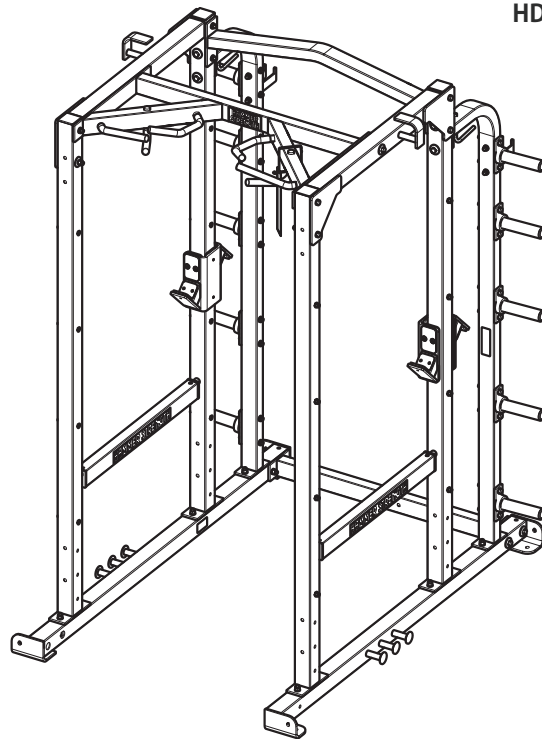
**HAMMER
STRENGTH®**

building champions

HAMMER STRENGTH

HDPR Power Rack 8 & 9 Foot

PARTS LIST
HDPR8-B05 / HDPR9-B05



3/18/2025

HEAVY DUTY POWER RACK - HDPR8 & HDPR9

CONTENTS

COMPONENT ASSEMBLY..... 3

COPONENT ASSEMBLY LEGEND..... 4

PULL-UP SUPPORT ASSEMBLY..... 5

LEFT FRONT UPRIGHT ASSEMBLY..... 6

RIGHT FRONT UPRIGHT ASSEMBLY..... 7

RIGHT BAR SUPPORT ASSEMBLY..... 8

LEFT BAR SUPPORT ASSEMBLY..... 9

BAR CATCH ASSEMBLY..... 10

ANGLED WEIGHT HORN ASSEMBLY..... 11

OPTIONAL EQUIPMENT..... 12

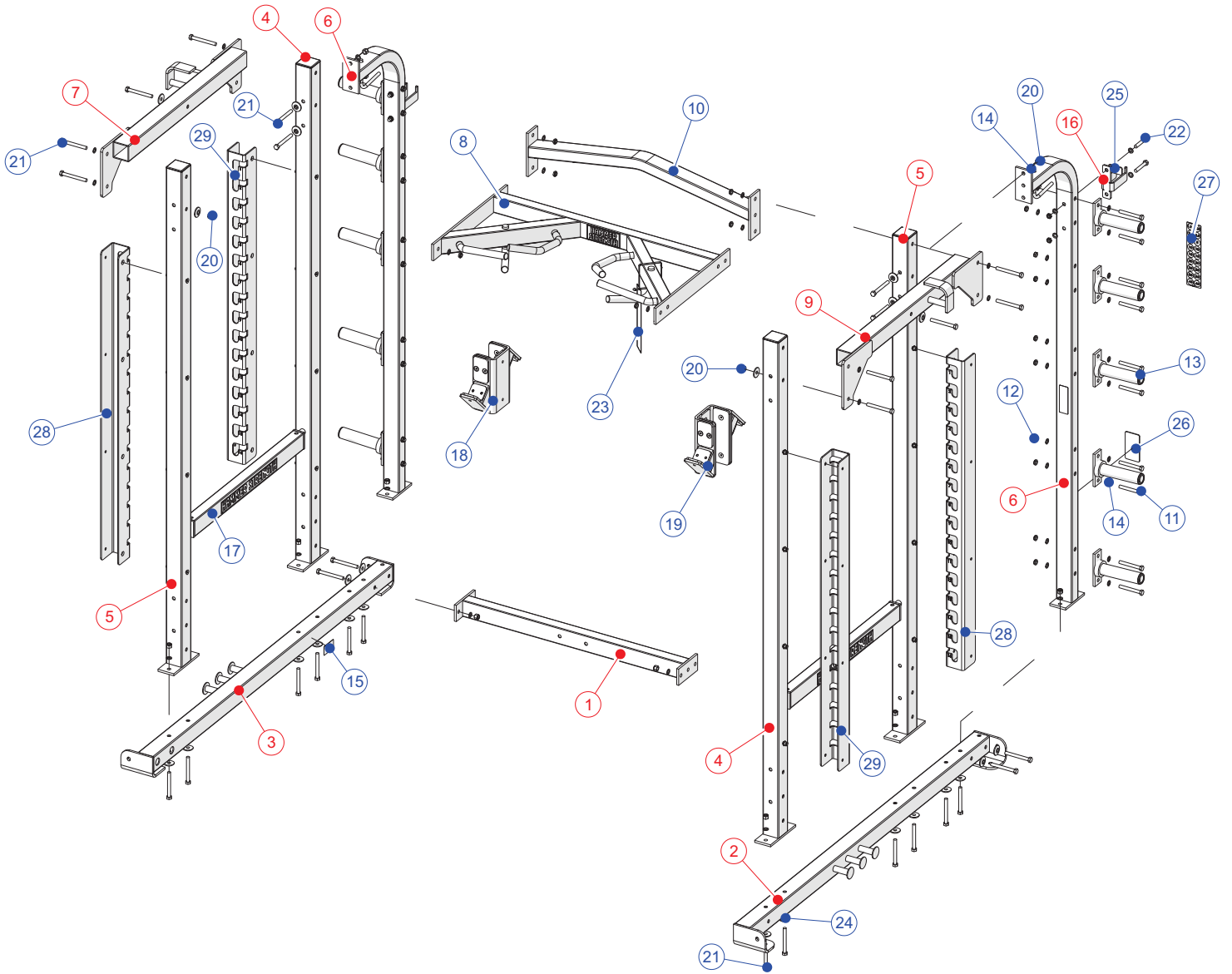
OPTIONAL THICK PULL-UP SUPPORT ASSY..... 13

OPTIONAL 4 HANDLE PULL-UP SUPPORT ASSY..... 14

OPTIONAL DOCK-N-LOCK ASSY..... 15

IMAGE..... 16

HEAVY DUTY POWER RACK - HDPR8 & HDPR9 COMPONENT ASSEMBLY



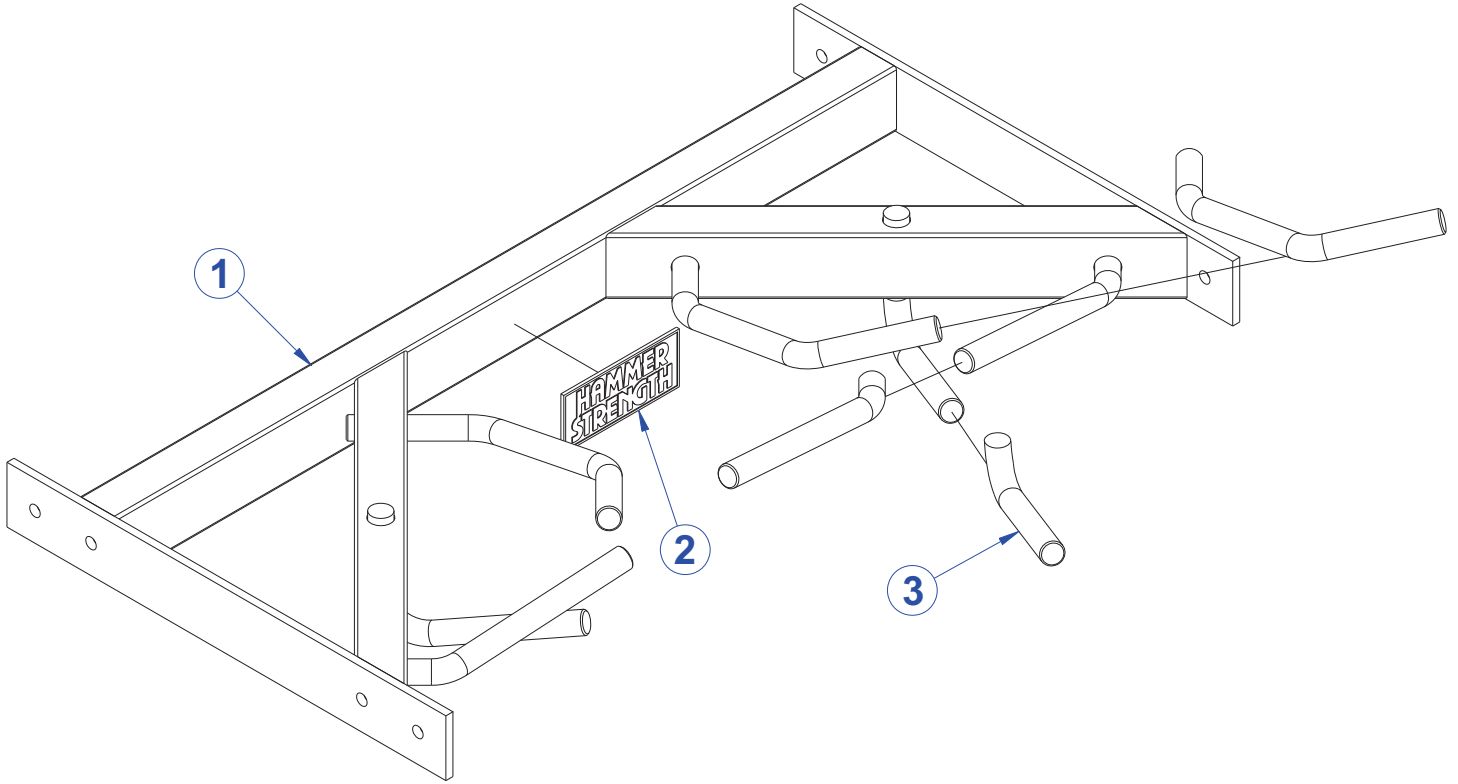
SEE PAGE 4 FOR LEGEND

HEAVY DUTY POWER RACK - HDPR8 & HDPR9 COMPONENT ASSEMBLY LEGEND

ITEM NO.	QTY.	HDPR8-B05 PART NO.	HDPR9-B05 PART NO.	DESCRIPTION	FRAME COLOR
1	1	HDPR8-RX-1	HDPR9-RX-1	WDMT, REAR CROSS TUBE	ANY
2	1	HDPR8-LSFR-3	HDPR9-LSFR-3	WLDMT, LOWER SIDE FRAME RT (HDPR)	ANY
3	1	HDPR8-LSFL-3	HDPR9-LSFL-3	WLDMT, LOWER SIDE FRAME LEFT (HDPR)	ANY
4	2	HDPR8-CFUPL-1	HDPR9-CFUPL-1	PTD ASSY, COMP FRT UPRIGHT LFT	ANY
5	2	HDPR8-CFUPR-1	HDPR9-CFUPR-1	PTD ASSY, COMP FRT UPRIGHT RT	ANY
6	2	HDPR8-RUP-1	HDPR9-RUP-1	WLDMT, REAR UPRIGHT	ANY
7	1	HDPR8-USFL-2	HDPR9-USFL-2	WLDMT, UPR SIDE FRAME LEFT (HDPR)	ANY
8	1	HDPR8-CPU-1	HDPR9-CPU-1	PTD ASSY - COMPONENT PULL UP (HDPR)	ANY
9	1	HDPR8-USFR-2	HDPR9-USFR-2	WLDMT, UPR SIDE FRAME RIGHT (HDPR)	ANY
10	1	HDPR8-TX-1	HDPR9-TX-1	WLDMT, TOP CROSS BEAM (HDPR)	ANY
11	20	HHB.5X4	HHB.5X4	1/2 X 4 BOLT	-
12	30	NUT.5JAMLOCK	NUT.5JAMLOCK	1/2" THIN LOCK NUT	-
13	10	ANG-WT-HORN-ASSY	ANG-WT-HORN-ASSY	ANGLED WEIGHT HORN	-
14	84	WASH.5STAR	WASH.5STAR	1/2" INTERNAL LOCK WASHER	-
15	2	SERIAL NUMBER	SERIAL NUMBER	SERIAL NUMBER	-
16	2	HDPR8-OBS-0	HDPR9-OBS-0	HD OLYMPIC BAR STORAGE	ANY
17	2	HDPR8-CBC-0	HDPR9-CBC-0	PTD ASSY, BAR CATCH	BLACK
18	1	HDPR8-CBSL-1	HDPR9-CBSL-1	PTD ASSY, BAR SUPPORT LEFT	BLACK
19	1	HDPR8-CBSR-1	HDPR9-CBSR-1	PTD ASSY, BAR SUPPORT RIGHT	BLACK
20	24	NUT.5LOCK	NUT.5LOCK	1/2" THICK LOCK NUT	-
21	30	HHB.5X4.5	HHB.5X4.5	1/2 X 4 1/2 BOLT	-
22	4	HHB.5X3	HHB.5X3	1/2 X 3 BOLT	-
23	1	8343101	8343101	TAG, BOLT TO FLOOR	-
24	24	H-BACK-WASH	H-BACK-WASH	BACKING WASHER	-
25	2	H-PLATE-G1	H-PLATE-G1	SMALL PLATE GUARD	-
26	2	H-PLATE-G3	H-PLATE-G3	LARGE PLATE GUARD	-
27	1	8351801	8351801	LABEL, WEIGHT HORN, SHEET	-
	2	HD-RH-RACK-PTDBLK-0	HD-RH-RACK-PTDBLK-0	HD ADJUSTMENT RACK RIGHT - STANDARD	BLACK
28	-OR-				
	2	HD-RH-RACK-ZNGRAIN-0	HD-RH-RACK-ZNGRAIN-0	HD ADJUSTMENT RACK RIGHT - PREMIUM	GRAIN
	2	HD-LH-RACK-PTDBLK-0	HD-LH-RACK-PTDBLK-0	HD ADJUSTMENT RACK LEFT - STANDARD	BLACK
29	-OR-				
	2	HD-LH-RACK-ZNGRAIN-0	HD-LH-RACK-ZNGRAIN-0	HD ADJUSTMENT RACK LEFT - PREMIUM	GRAIN

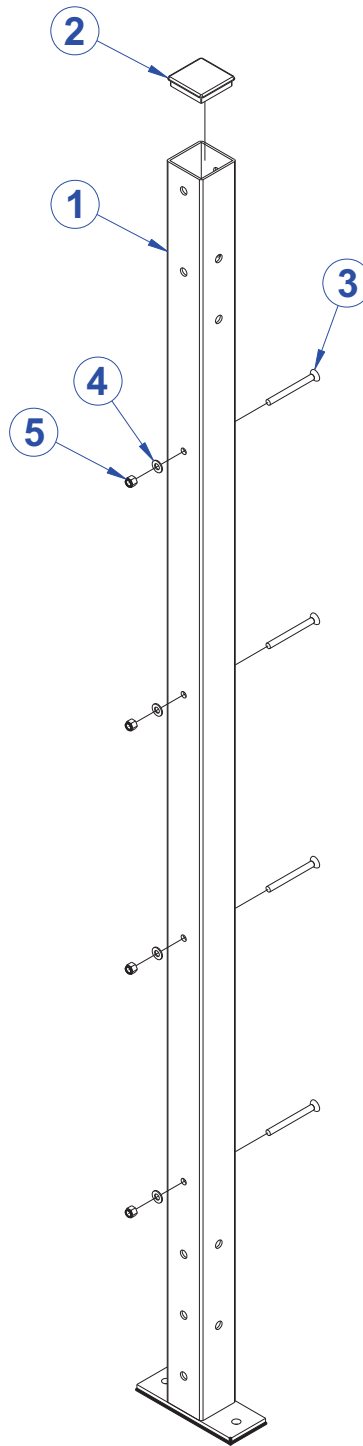
INCLUDE FRAME COLOR IN ORDER FOR ITEMS IN RED

HEAVY DUTY POWER RACK - HDPR8 & HDPR9 PULL UP SUPPORT ASSEMBLY



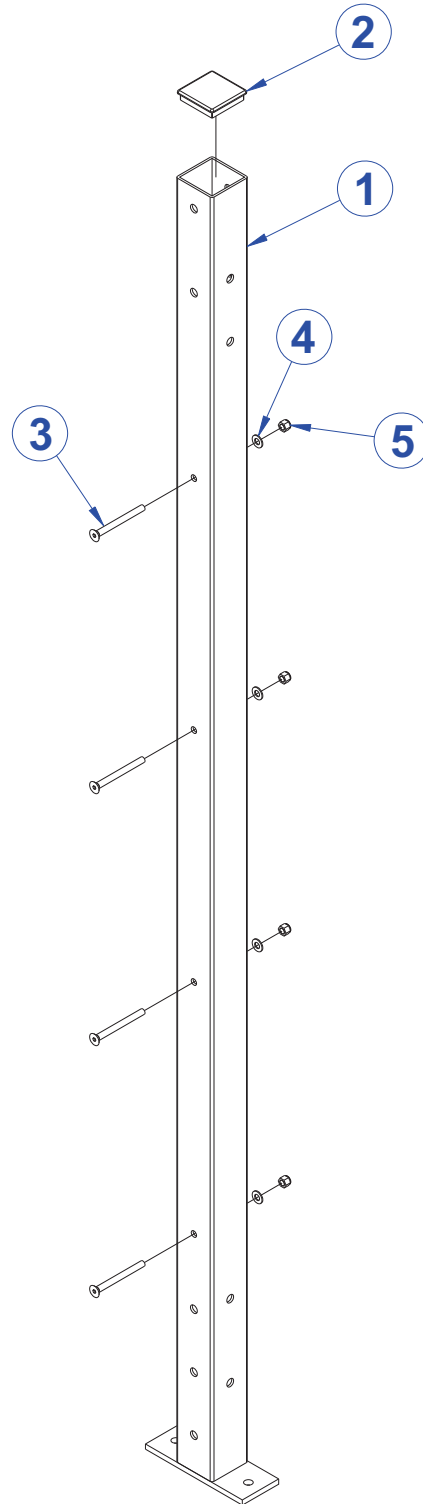
ITEM NO.	QTY.	HDCR8-B05 PART NO.	HDCR9-B05 PART NO.	DESCRIPTION	FRAME COLOR
1	1	HDPR8-PU-1	HDPR9-PU-1	PTD ASSY, PULL-UP SUPPORT	ANY
2	1	H-NAME PLATE	H-NAME PLATE	HAMMER STRENGTH BADGE	-
3	6	H-GRIP	H-GRIP	HAMMER GRIP	-

HEAVY DUTY POWER RACK - HDPR8 & HDPR9 LEFT FRONT UPRIGHT ASSEMBLY



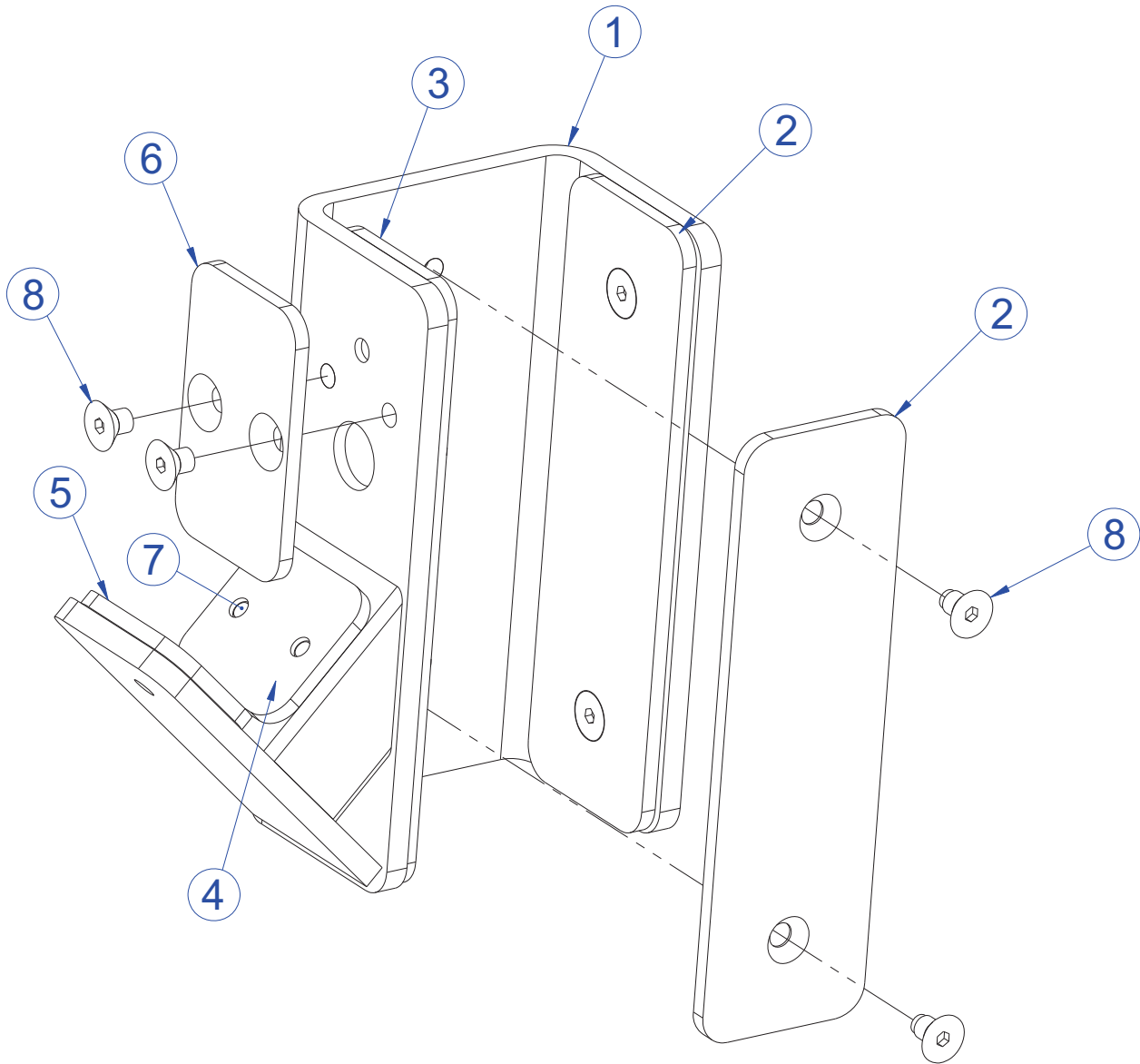
ITEM NO.	QTY.	HDPR8-B05 PART NO.	HDPR9-B05 PART NO.	DESCRIPTION	FRAME COLOR
1	1	HDPR8-CFUPL-1	HDPR9-CFUPL-1	PTD ASSY, COMP FRT UPRT LFT	ANY
2	1	SQ-24-1	SQ-24-1	3 X 3 END CAP	-
3	4	3/8 X 4 FHSCS	3/8 X 4 FHSCS	0.375 X 4" FLAT HEAD CAP SCREW	-
4	4	WASH.375SAE	WASH.375SAE	3/8" SAE FLAT WASHER	-
5	4	NUT.375LOCK	NUT.375LOCK	3/8" THICK LOCK NUT	-

HEAVY DUTY POWER RACK - HDPR8 & HDPR9 RIGHT FRONT UPRIGHT ASSEMBLY



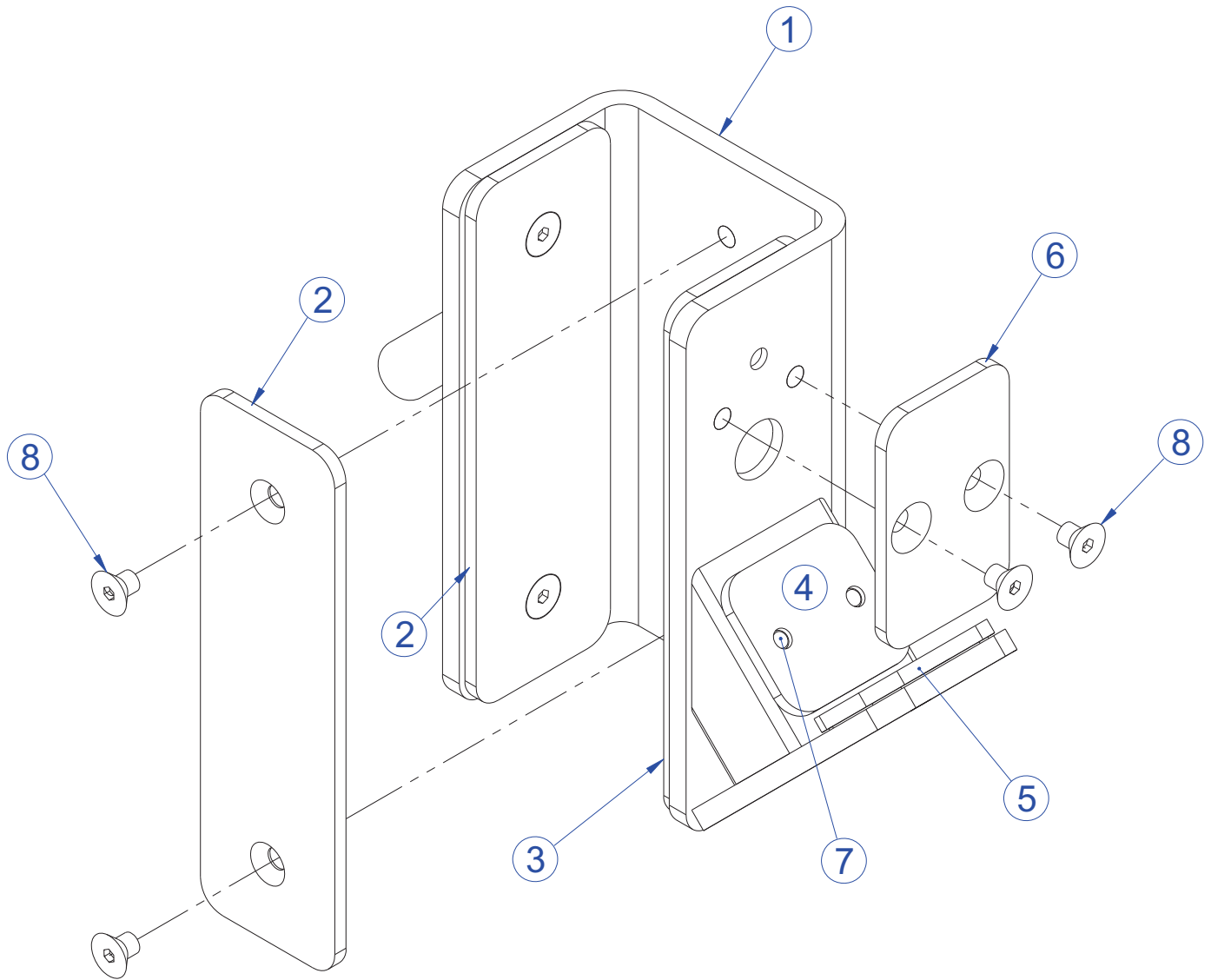
ITEM NO.	QTY.	HDPR8-B05 PART NO.	HDPR9-B05 PART NO.	DESCRIPTION	FRAME COLOR
1	1	HDPR8-CFUPR-1	HDPR9-CFUPR-1	PTD ASSY, COMP FRT UPRT RHT	ANY
2	1	SQ-24-1	SQ-24-1	3 X 3 END CAP	-
3	4	3/8 X 4 FHSCS	3/8 X 4 FHSCS	0.375 X 4" FLAT HEAD CAP SCREW	-
4	4	WASH.375SAE	WASH.375SAE	3/8" SAE FLAT WASHER	-
5	4	NUT.375LOCK	NUT.375LOCK	3/8" THICK LOCK NUT	-

HEAVY DUTY POWER RACK - HDPR8 & HDPR9 RIGHT BAR SUPPORT ASSEMBLY



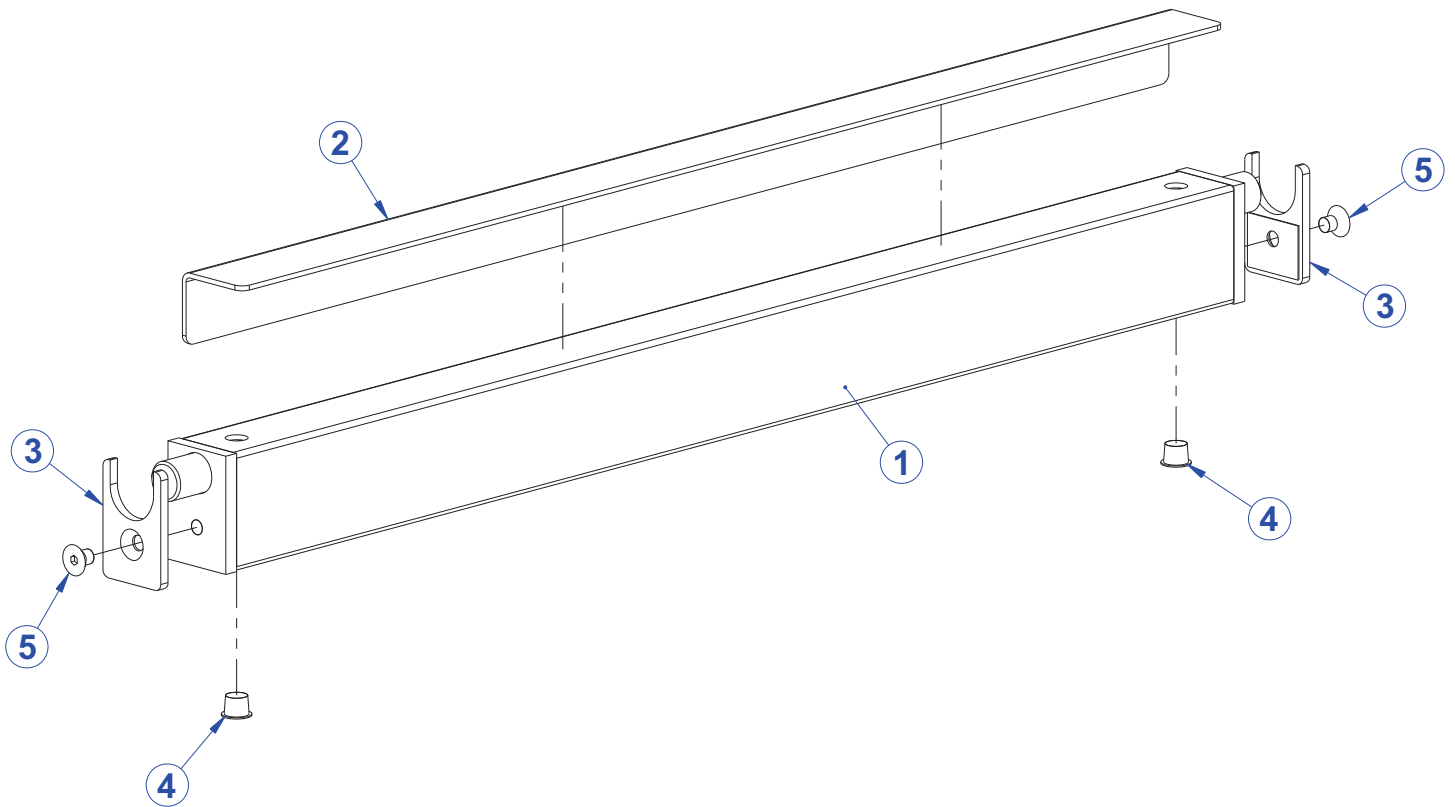
ITEM NO.	QTY.	HDPR8-B05 PART NO.	HDPR9-B05 PART NO.	DESCRIPTION	FRAME COLOR
1	1	HDPR8-BSR-0	HDPR9-BSR-0	WLDMT, BAR SUPPORT RIGHT	BLACK
2	2	HD-BKT-PNT-GRD-02	HD-BKT-PNT-GRD-02	PAINT GUARD, 10" X 3"	-
3	1	HD-BKT-PNT-GRD-HOLES-02	HD-BKT-PNT-GRD-HOLES-02	PAINT GRD, 10" X 3" w/ 1.5" HOLES	-
4	1	HD-BS-PNT-GRD-MED-00	HD-BS-PNT-GRD-MED-00	BAR SUPT LOWER PNT GRD	-
5	1	HD-BS-PNT-GRD-SML-02	HD-BS-PNT-GRD-SML-02	BAR SUPT SML PNT GRD	-
6	1	HD-BS-PNT-GRD-LRG-02	HD-BS-PNT-GRD-LRG-02	BAR SUPT FRT PNT GRD	-
7	2	RIVET	RIVET	RIVET 5/32 X 3/8	-
8	9	3/8 X 1/2 FHSCS	3/8 X 1/2 FHSCS	0.375 X 1/2" FLAT HEAD CAP SCREW	-

HEAVY DUTY POWER RACK - HDPR8 & HDPR9 LEFT BAR SUPPORT ASSEMBLY



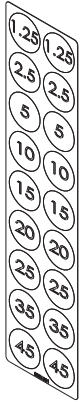
ITEM NO.	QTY.	HDPR8-B05 PART NO.	HDPR9-B05 PART NO.	DESCRIPTION	FRAME COLOR
1	1	HDPR8-BSL-0	HDPR9-BSL-0	WLDMT, BAR SUPPORT LEFT	BLACK
2	2	HD-BKT-PNT-GRD-02	HD-BKT-PNT-GRD-02	PAINT GUARD, 10" X 3"	-
3	1	HD-BKT-PNT-GRD-HOLES-02	HD-BKT-PNT-GRD-HOLES-02	PAINT GRD, 10" X 3" w/ 1.5" HOLES	-
4	1	HD-BS-PNT-GRD-MED-00	HD-BS-PNT-GRD-MED-00	BAR SUPT LOWER PNT GRD	-
5	1	HD-BS-PNT-GRD-SML-02	HD-BS-PNT-GRD-SML-02	BAR SUPT SML PNT GRD	-
6	1	HD-BS-PNT-GRD-LRG-02	HD-BS-PNT-GRD-LRG-02	BAR SUPT FRT PNT GRD	-
7	2	RIVET	RIVET	RIVET 5/32 X 3/8	-
8	9	3/8 X 1/2 FHSCS	3/8 X 1/2 FHSCS	0.375 X 1/2" FLAT HEAD CAP SCREW	-

HEAVY DUTY POWER RACK - HDPR8 & HDPR9 BAR CATCH ASSEMBLY

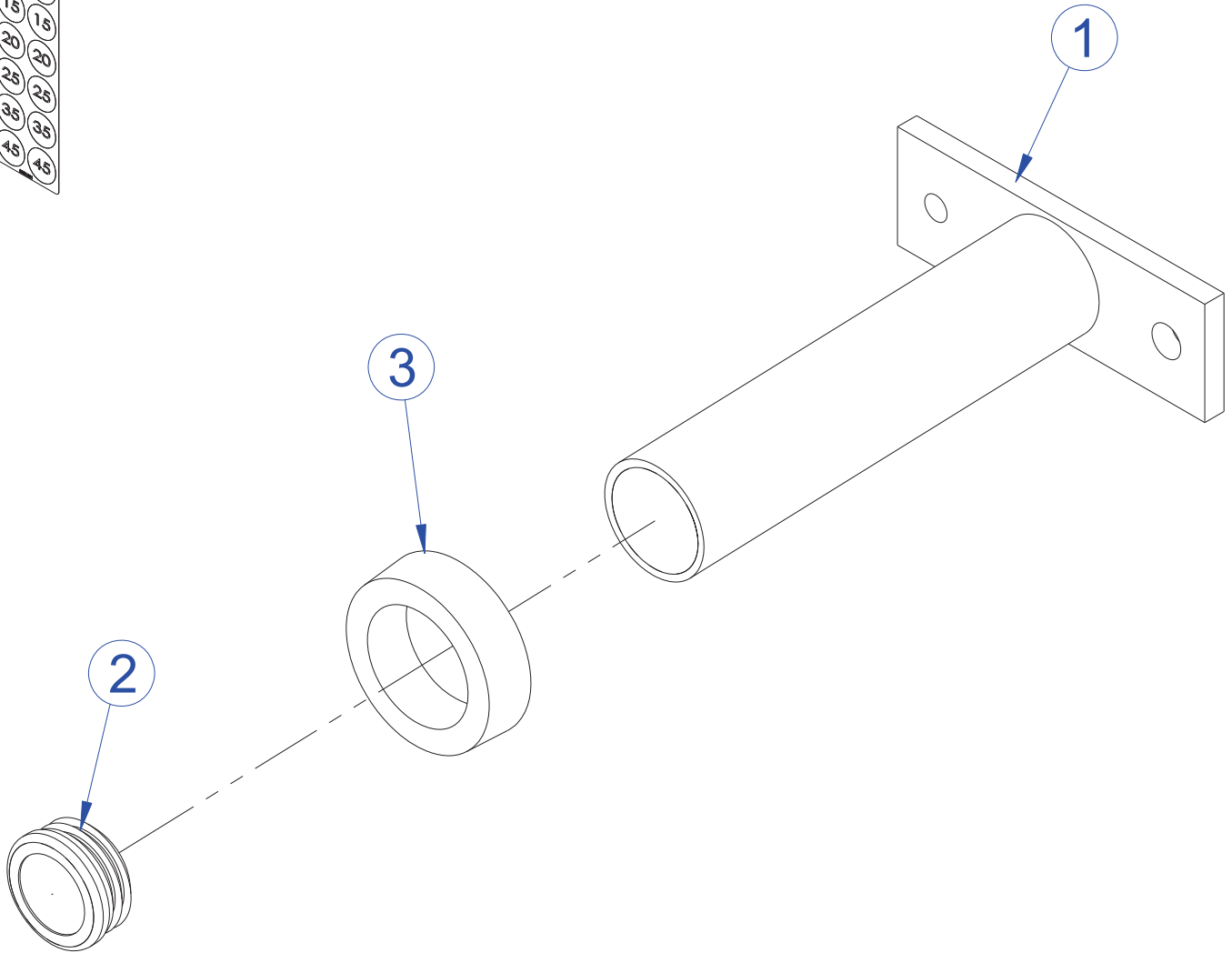


ITEM NO.	QTY.	HDPR8-B05 PART NO.	HDPR9-B05 PART NO.	DESCRIPTION	FRAME COLOR
1	1	HDPR8-BC-0	HDPR9-BC-0	WLDMT, BAR CATCH	BLACK
2	1	HD-BC-PNT-GRD-LG-00	HD-BC-PNT-GRD-LG-00	PAINT GUARD, BAR CATCH TOP	-
3	2	HD-BC-PNT-GRD-END-00	HD-BC-PNT-GRD-END-00	PAINT GUARD, BAR CATCH END	-
4	2	H-LOCK-PLUG	H-LOCK-PLUG	9/16" HOLE PLUG	-
5	2	3/8 X 1/2 FHSCS	3/8 X 1/2 FHSCS	0.375 X 1/2" FLAT HEAD CAP SCREW	-
6	2	H-DECAL-LOGO	H-DECAL-LOGO	HAMMER STRENGTH LARGE DECAL	-

HEAVY DUTY POWER RACK - HDPR8 & HDPR9 ANGLED WEIGHT HORN ASSEMBLY

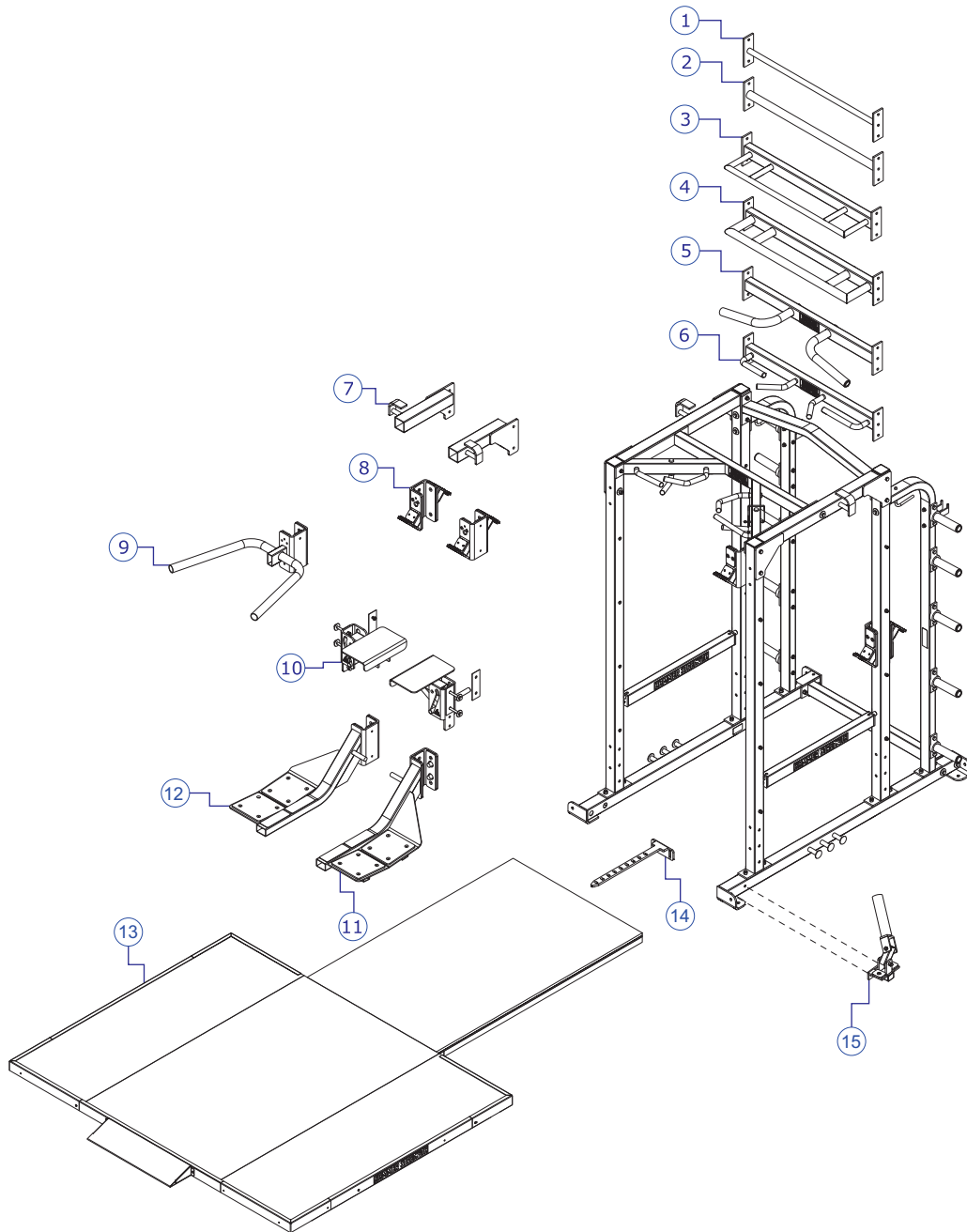


Weight Horn Label Sheet
Part number: 8351801



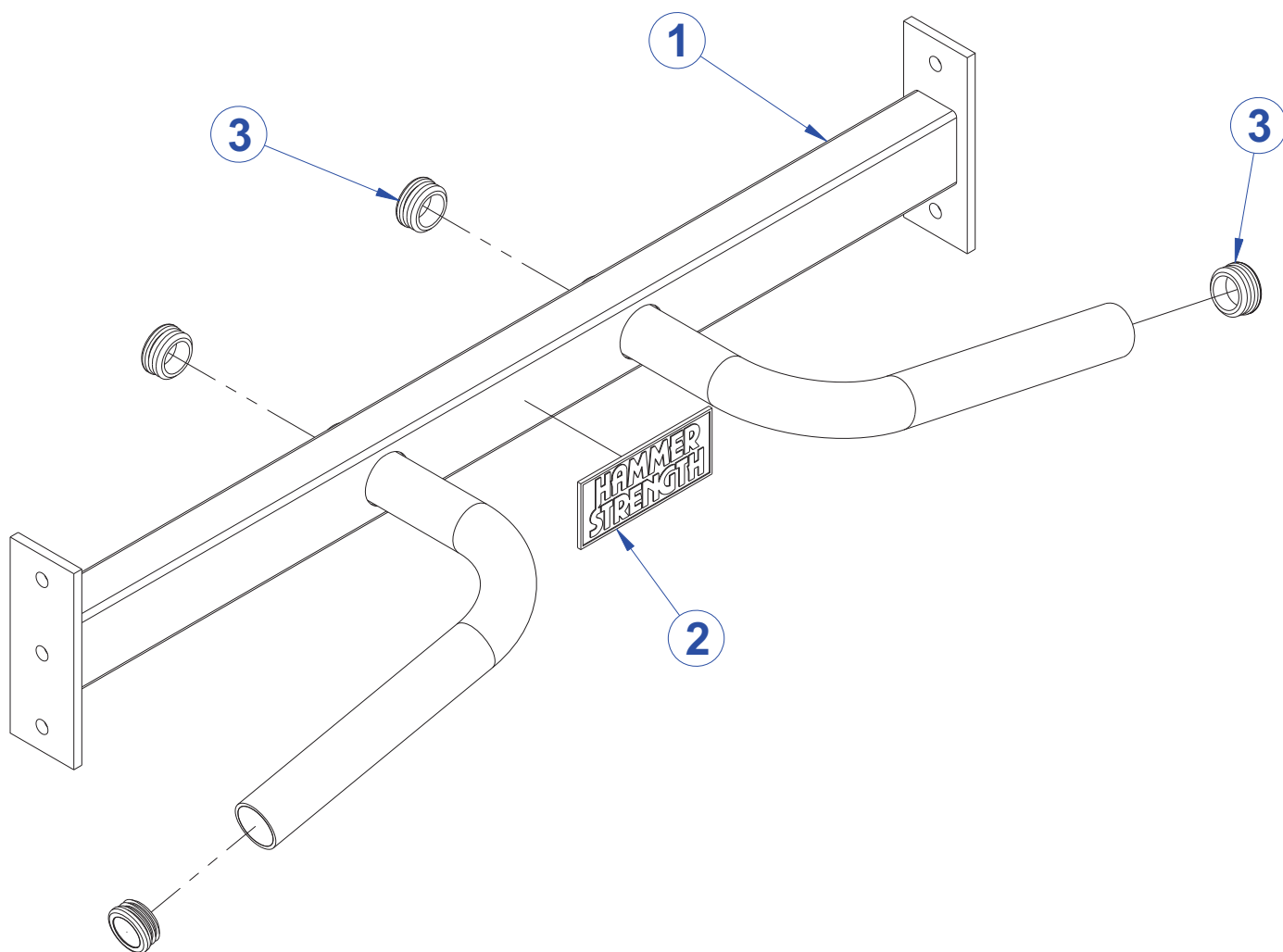
ITEM NO.	QTY.	HDCR8-B05 PART NO.	HDCR9-B05 PART NO.	DESCRIPTION	FRAME COLOR
1	1	ANG-WT-HORN-ASSY	ANG-WT-HORN-ASSY	WDMNT, ANGLED WEIGHT HORN	PLATED
2	1	H-RUBCAP2	H-RUBCAP2	PLUG, HAMMER WEIGHT HORN	-
3	1	H-RUBRNG	H-RUBRNG	MM5 RING	-

HEAVY DUTY POWER RACK - HDPR8 & HDPR9 OPTIONAL EQUIPMENT



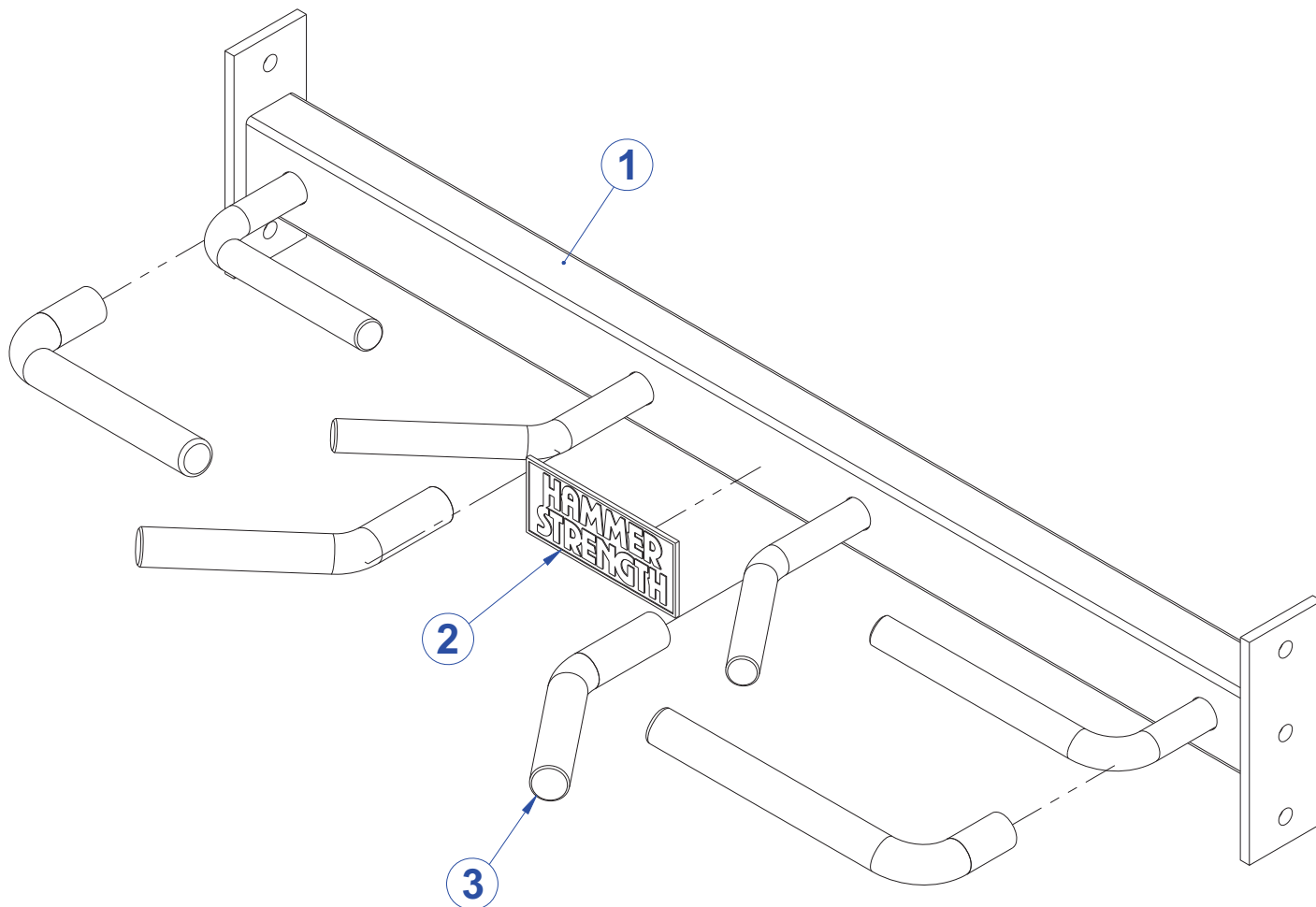
ITEM NO.	HDPR8-B05 ACCESSORY NAME	HDPR9-B05 ACCESSORY NAME	DESCRIPTION	FRAME COLOR
1	HDSSPU-PU-0	HDSSPU-PU-0	STD STRAIGHT PULL UP	ANY
2	HDTSPU-PU-0	HDTSPU-PU-0	THICK STRAIGHT PULL UP	ANY
3	HDSNPU-PU-0	HDSNPU-PU-0	STD NEUTRAL PULL UP	ANY
4	HDTNPU-PU-0	HDTNPU-PU-0	THICK NEUTRAL PULL UP	ANY
5	HDTPU-CPU-0	HDTPU-CPU-0	ASSY, THICK PULL-UP	ANY
6	HDPR8-CPU-2	HDPR8-CPU-2	PTD ASSY, PULL-UP SUPPORT	ANY
7	HDUBP	HDUBP	ASSY, UPPER BAND PEGS (SET of 2)	BLACK
8	HDRBS	HDRBS	HDBRS HD REVERSIBLE BAR SUPPORT BLK (SET of 2)	BLACK
9	HDRDIP	HDRDIP	HDRDIP HD REVERSE DIP ATTACHMENT BLK	BLACK
10	HDSP	HDSP	ASSY, SPOTTER PLATFORM (SET of 2)	BLACK
11	HDRTT-CTR-O	HDRTT-CTR-O	HDRTT REVERSE TECH. TRAY (RIGHT)	BLACK
12	HDRTT-CTL-O	HDRTT-CTL-O	HDRTT REVERSE TECH. TRAY (LEFT)	
13	HDMI4X8	HDMI4X8	HD 4X8 PLATFORM, MEDIUM INSERT (NOT SHOWN)	-
	HDMI6X8	HDMI6X8	HD 6X8 PLATFORM, MEDIUM INSERT (SHOWN)	-
14	HDDL5	HDDL5	HEAVY DUTY DOCK LOCK SHORT (FOR HR, PR, MR)	PLATED
15	HDLM	HDLM	LAND MINE ATTACHMENT (EITHER SIDE)	ANY

HEAVY DUTY POWER RACK - HDPR8 & HDPR9 OPTIONAL THICK PULL-UP ASSEMBLY



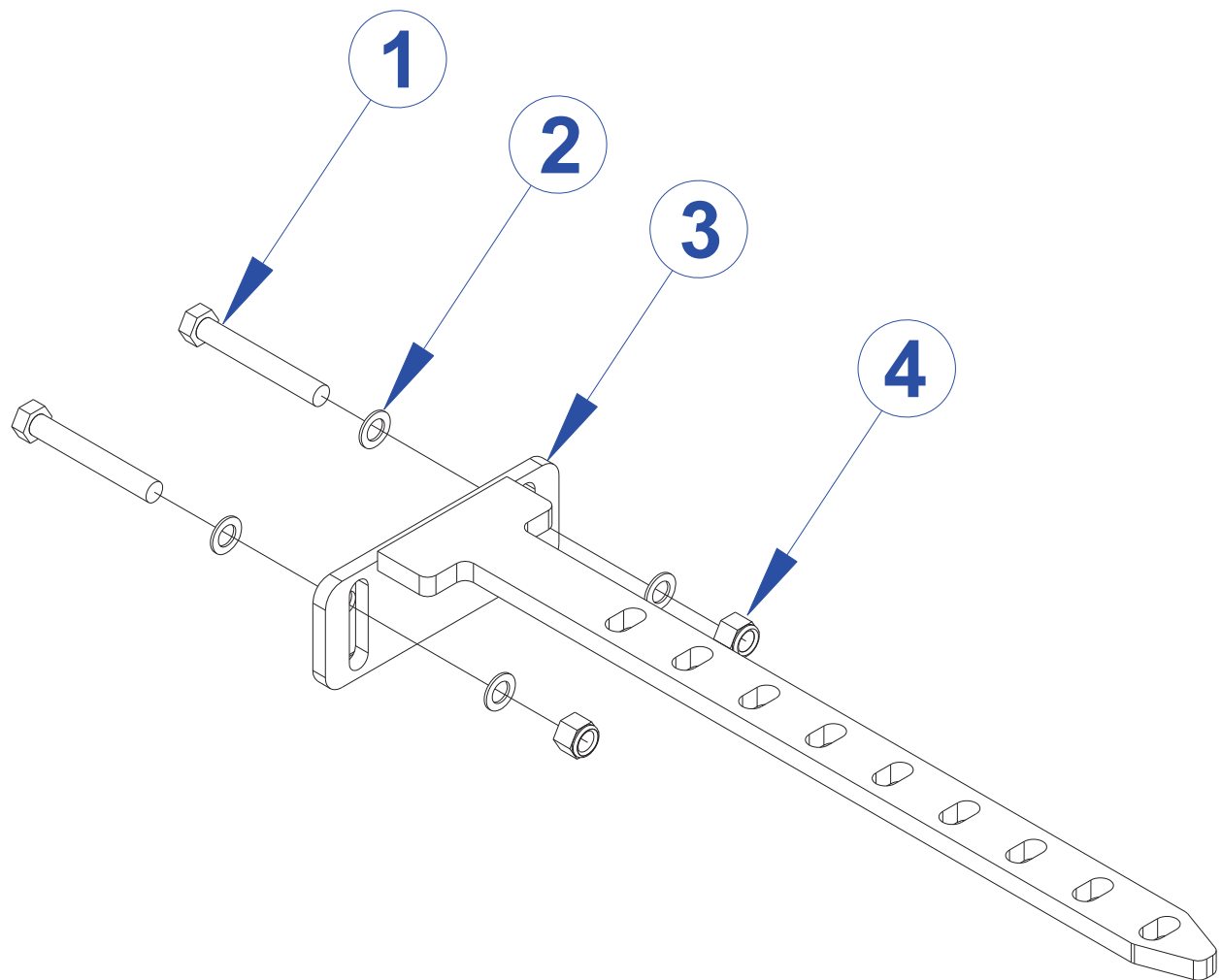
ITEM NO.	QTY.	HDPR8-B05 PART NO.	HDPR9-B05 PART NO.	DESCRIPTION	FRAME COLOR
1	1	HDTPU-PU-0	HDTPU-PU-0	WLDMT, THICK PULL UP BAR	ANY
2	1	H-NAME PLATE	H-NAME PLATE	NAMEPLATE (45156-P)	-
3	4	H-RUBCAP2	H-RUBCAP2	PLUG, HAMMER WEIGHT HORN	-

HEAVY DUTY POWER RACK - HDPR8 & HDPR9 OPTIONAL 4 HANDLE PULL-UP ASSEMBLY



ITEM NO.	QTY.	HDPR8-B05 PART NO.	HDPR9-B05 PART NO.	DESCRIPTION	FRAME COLOR
1	1	HDHR8-PU-1	HDHR9-PU-1	WLDMT, PULL UP SUPPORT	ANY
2	1	H-NAMEPLATE	H-NAMEPLATE	NAME PLATE	-
3	4	H-GRIP	H-GRIP	HANDLE GRIPS (.938X16)	-

HEAVY DUTY POWER RACK - HDPR8 & HDPR9 OPTIONAL DOCK-N-LOCK



ITEM NO.	QTY.	HDHR8-B05 PART NO.	HDHR9-B05 PART NO.	DESCRIPTION	FRAME COLOR
1	2	HHB.5X3.5	HHB.5X3.5	1/2 X 3-1/2 BOLT	-
2	4	WASH.5STAR	WASH.5STAR	1/2 INTERNAL LOCK WASHER	-
3	1	HD-SDL-1	HD-SDL-1	WLDMT, SHORT DOCK-LOCK PLATED	PLATED
4	2	NUT.5JAMLOCK	NUT.5JAMLOCK	1/2 THIN LOCK NUT	-

HEAVY DUTY POWER RACK - HDPR8 & HDPR9 IMAGE



Shown with optional: HDADJ Bench
HDSP Spotter Platform
HDUBP Upper Band Pegs
HDDLS Dock & Lock