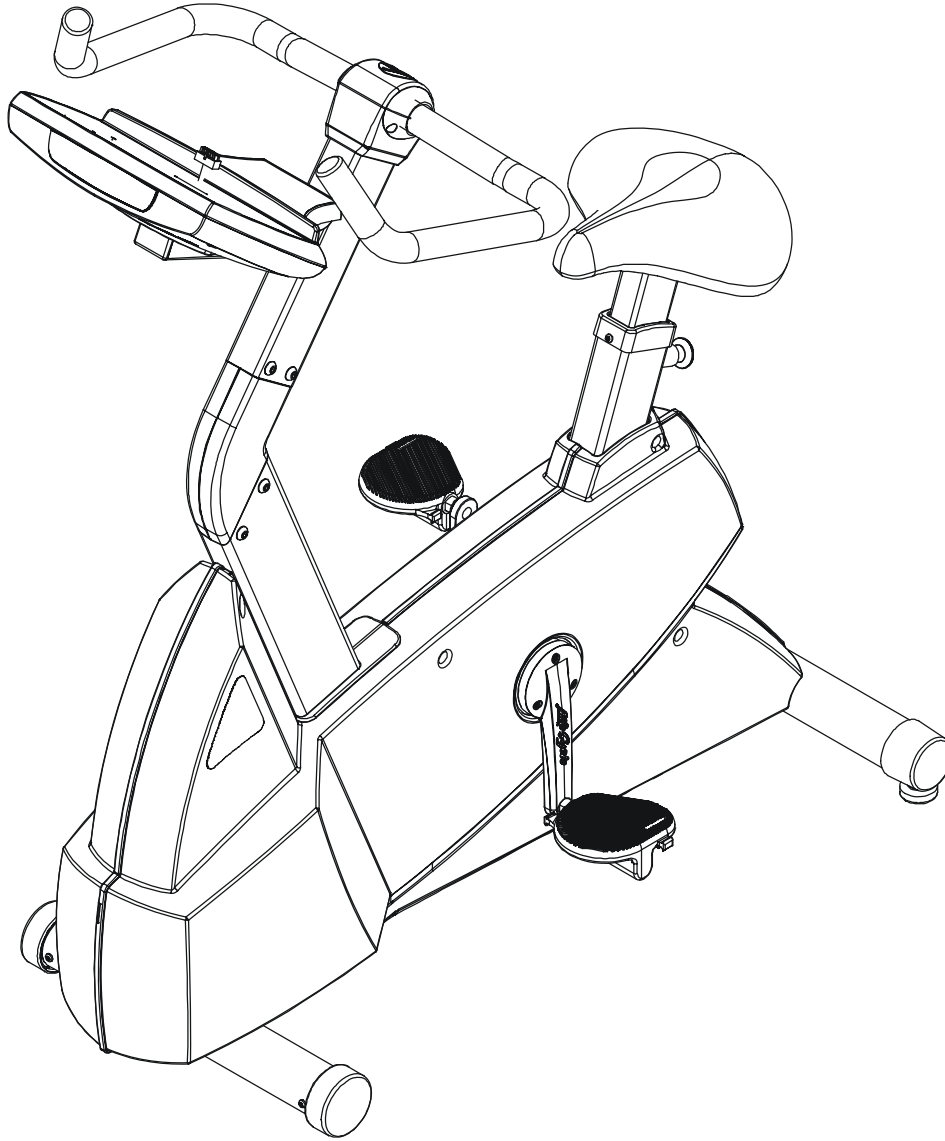


# LifeFitness

ARCTIC SILVER 90CW Upright Bike

**End of Life**



Customer Support Services  
**PARTS MANUAL** revised Nov 2014

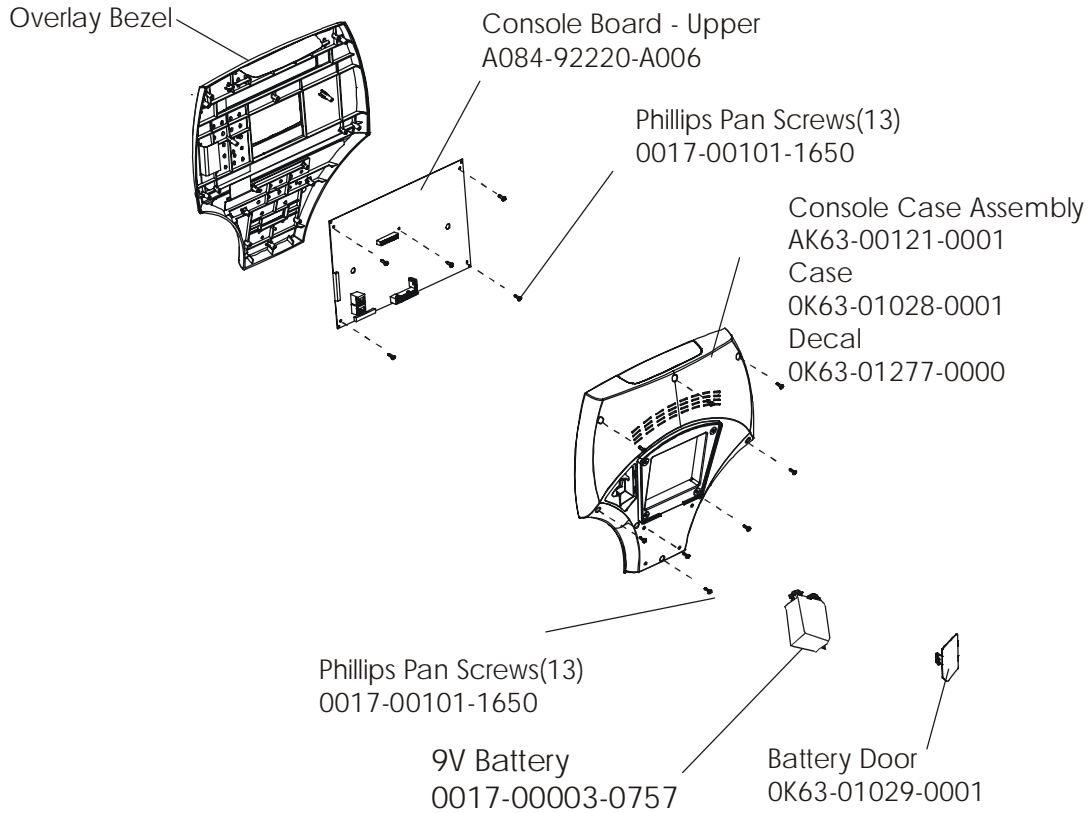
OPERATION MANUAL	M051-00K63-A068
ACCESSORY TRAY	GK63-00002-0004
HARDWARE BAG	GK63-00002-0044
POLAR UPGRADE KIT	GK63-00002-0002
TOUCH UP PAINT: SPRAY CAN .5 OZ BOTTLE .33 OZ PEN	0017-00008-0204 0017-00008-0205 0017-00008-0206
COAX CABLE	AK32-00020-0002
ER READY BRACKET ASSEMBLY ASSEMBLY CONSISTS OF: 1) POWER CABLE 2) ER READY BRACKET 3) F TYPE CONNECTOR	AK63-00215-0000 AK32-00078-0001 0K63-01329-0000 0017-00021-2846
SERVICE MANUAL	M051-00K63-A009

**NOTE: ADDING THE BOLT ON LCD SCREEN TO THE  
90CW-0XXX-02 MAKES THE UNIT A 90CER-0XXX-02.**

	Page
CONSOLE COMPONENTS .....	4
CONSOLE MOUNTING SCREWS AND POLAR COVERS.....	5
ALTERNATOR W/PULLEY .....	6
CRANKSHAFT AND BEARING ASSEMBLY.....	7
INTERMEDIATE SHAFT AND BEARING ASSEMBLY.....	8
SEAT LATCH ASSEMBLY.....	9
SEAT POST ASSEMBLY .....	10
SEAT POST SHROUDS.....	11
IDLER BRACKET ASSEMBLY.....	12
CONSOLE SUPPORT ASSEMBLY.....	13
LEFT SIDE SHROUD AND CRANKARM.....	14
RIGHT SIDE SHROUD AND CRANKARM.....	15
PCB MOUNTING BRACKET ASSEMBLY.....	16
FRONT WHEELS.....	17
RESISTOR ASSEMBLY.....	18
HANDLEBAR ASSEMBLY.....	19
BELTS.....	20
CABLES.....	21

**ARCTIC SILVER 90CW**  
**Console Components**

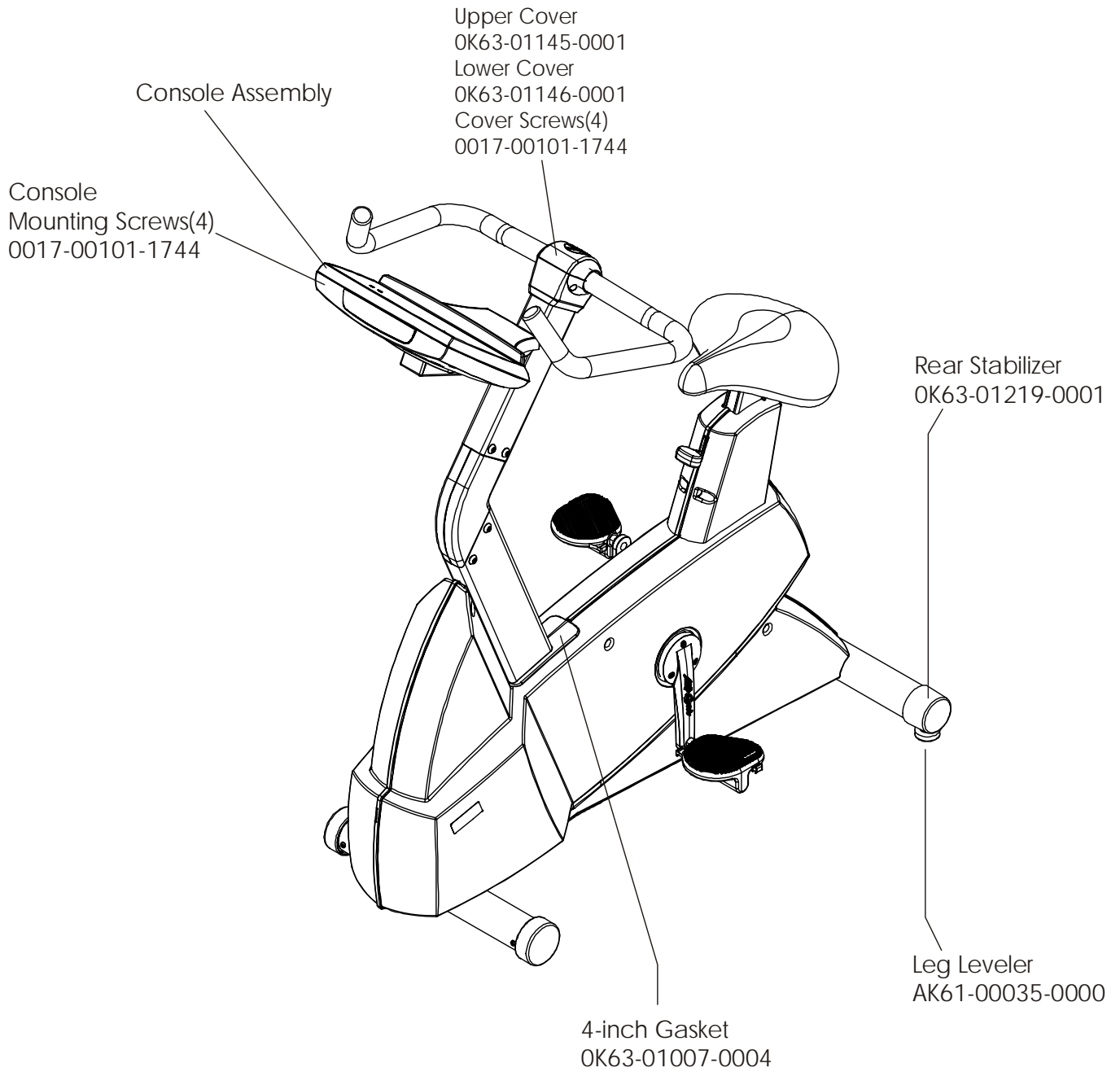
**90CW-0XXX-02**  
**S/N CCI100000 and UP**



Console Assembly	Bezel W/Overlay Assy.
AK63-00162-0001 Eng Met	AK63-00167-0001 Eng Met
AK63-00162-0003 Ger Met	AK63-00167-0003 Ger Met
AK63-00162-0004 Spn Met	AK63-00167-0004 Spn Met
AK63-00162-0006 Jap Met	AK63-00167-0006 Jap Met
AK63-00162-0007 Frn Met	AK63-00167-0007 Frn Met
AK63-00162-0008 Itl Met	AK63-00167-0008 Itl Met
AK63-00162-0009 Dut Met	AK63-00167-0009 Dut Met
AK63-00162-0010 Por Met	AK63-00167-0010 Por Met

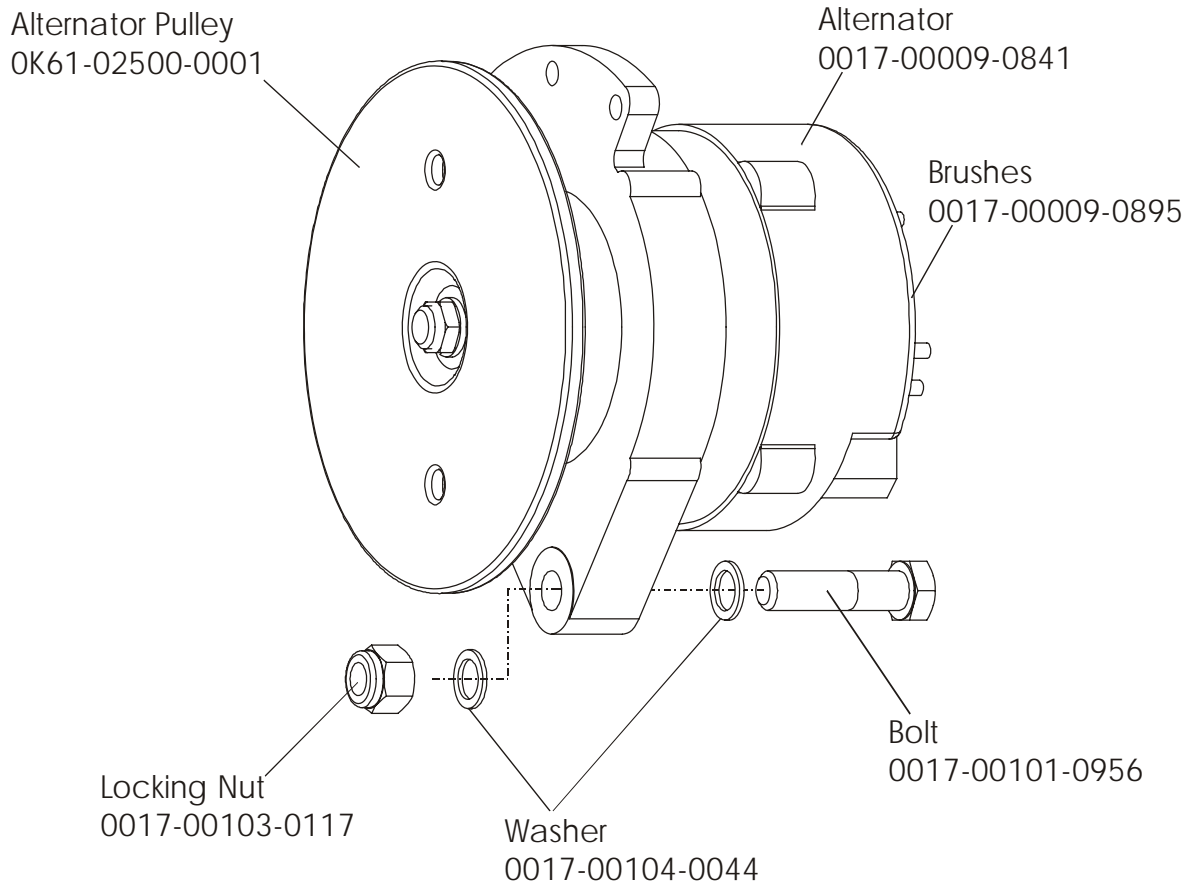
**ARCTIC SILVER 90CW**  
**Console Screws & Polar Covers**

**90CW-0XXX-02**  
**S/N CCI100000 and UP**



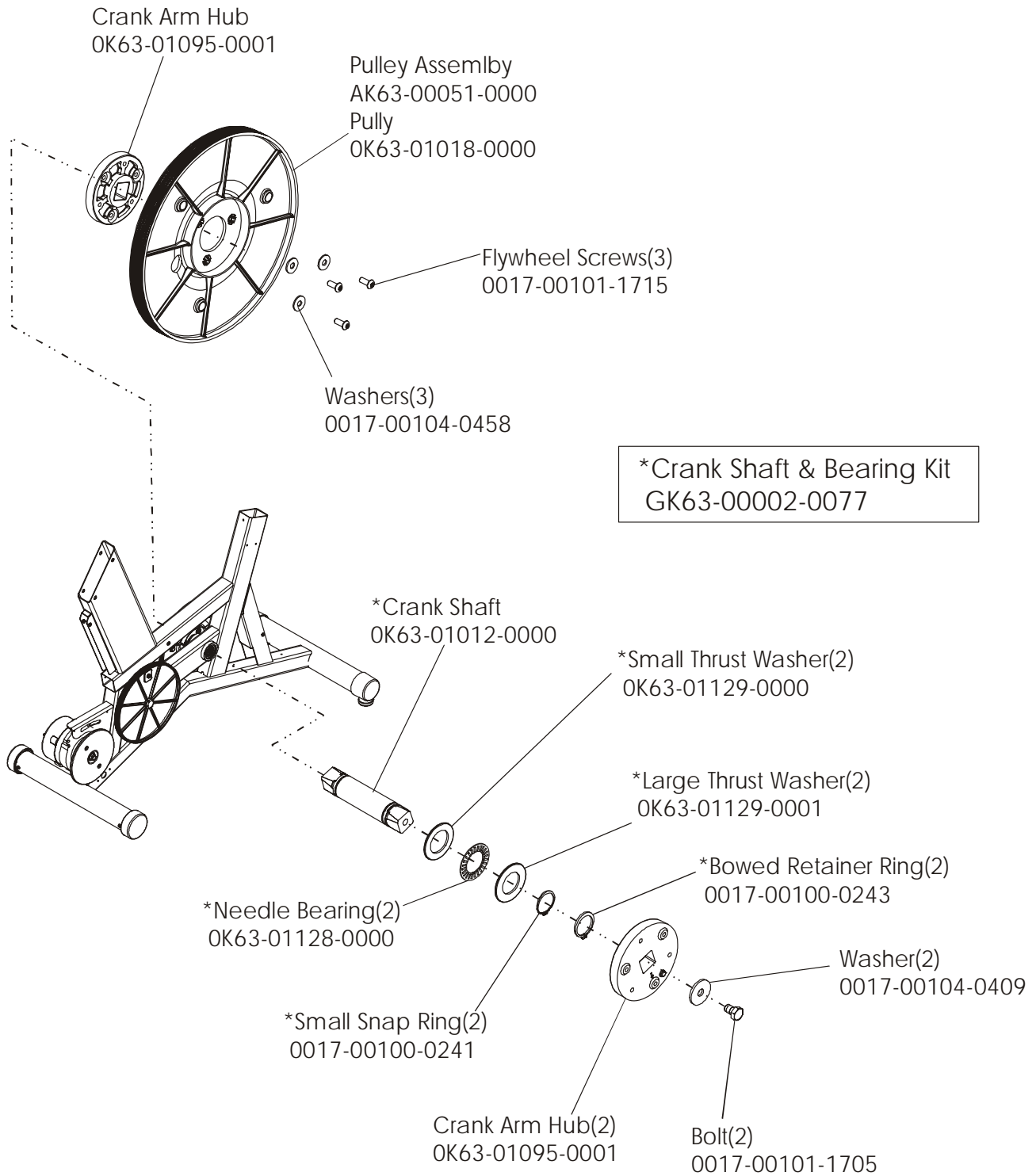
**ARCTIC SILVER 90CW**  
**Alternator w/Pulley - AK63-00093-0000**

**90CW-0XXX-02**  
**S/N CCI100000 and UP**



**ARCTIC SILVER 90CW**  
**Crankshaft and Bearing Assembly**

**90CW-0XXX-02**  
**S/N CCI100000 and UP**



# ARCTIC SILVER 90CW

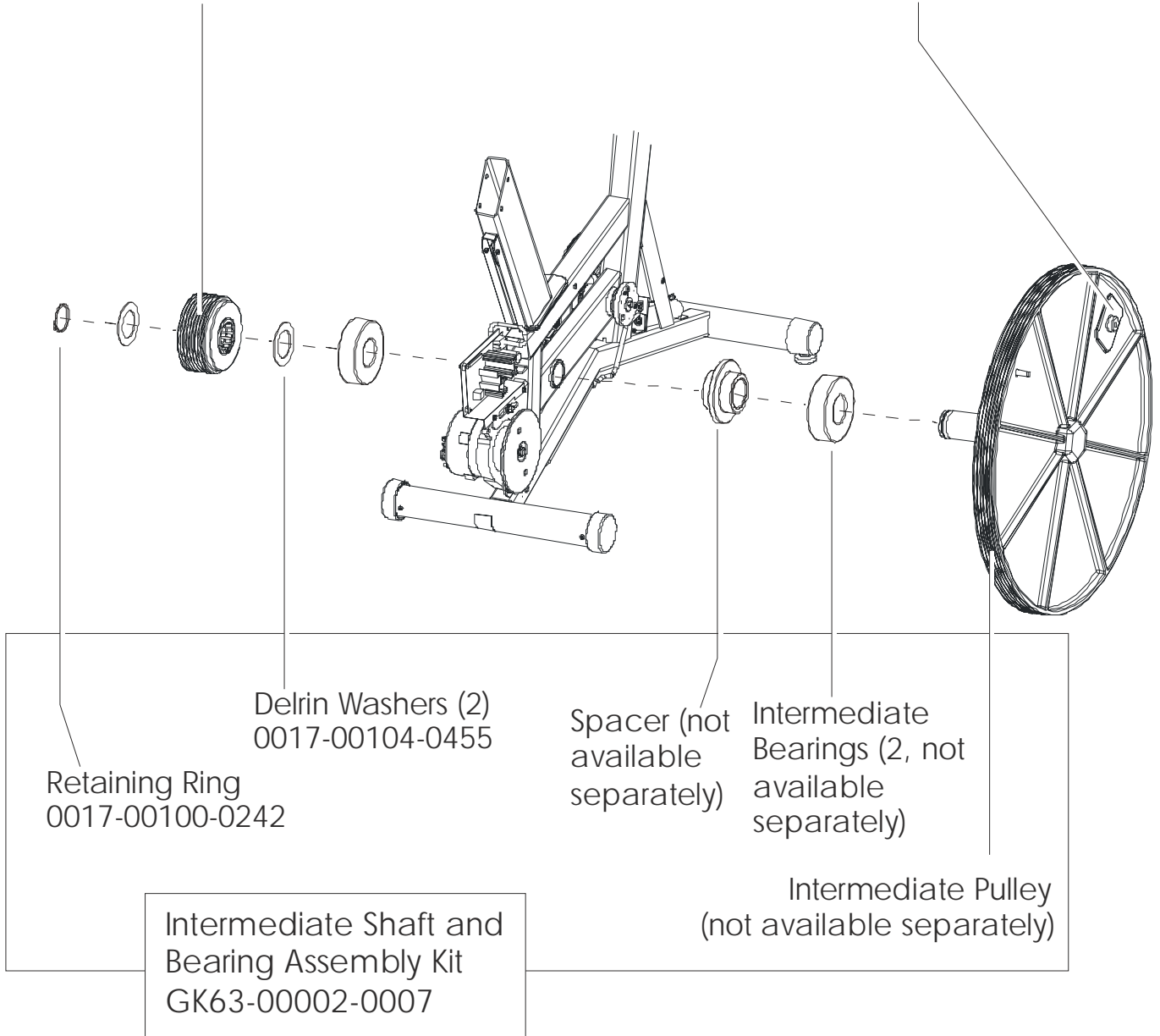
## Intermediate Shaft & Bearing Assembly

90CW-0XXX-02

S/N CCI100000 and UP

Clutch Assembly  
GK63-00002-0079  
(not included in kit)

Magnet  
118E-00001-0124  
(not included in kit)



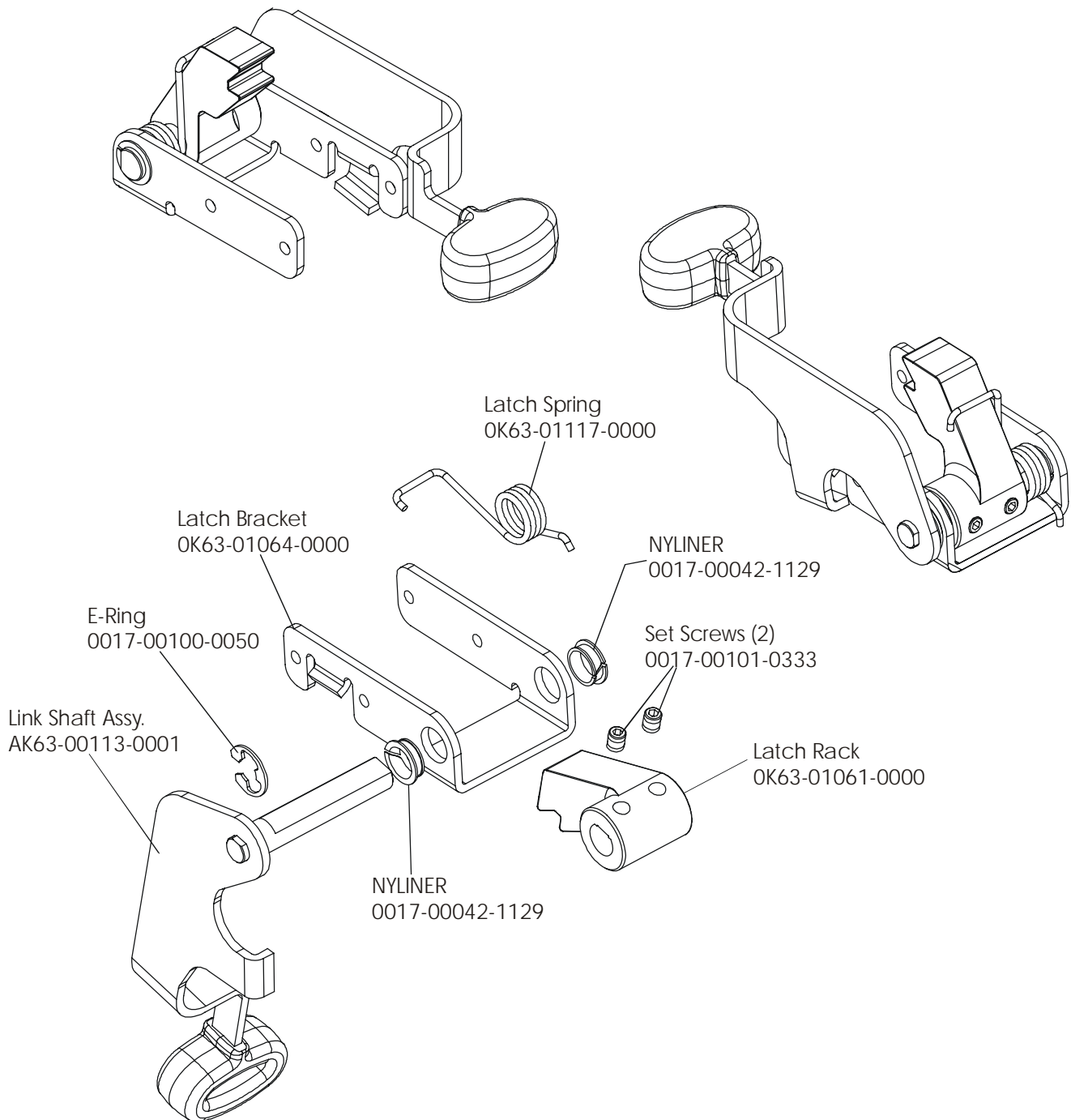


**ARCTIC SILVER 90CW**

**Seat Latch Assembly - AK63-00043-0001**

**90CW-0XXX-02**

**S/N CCI100000 and UP**

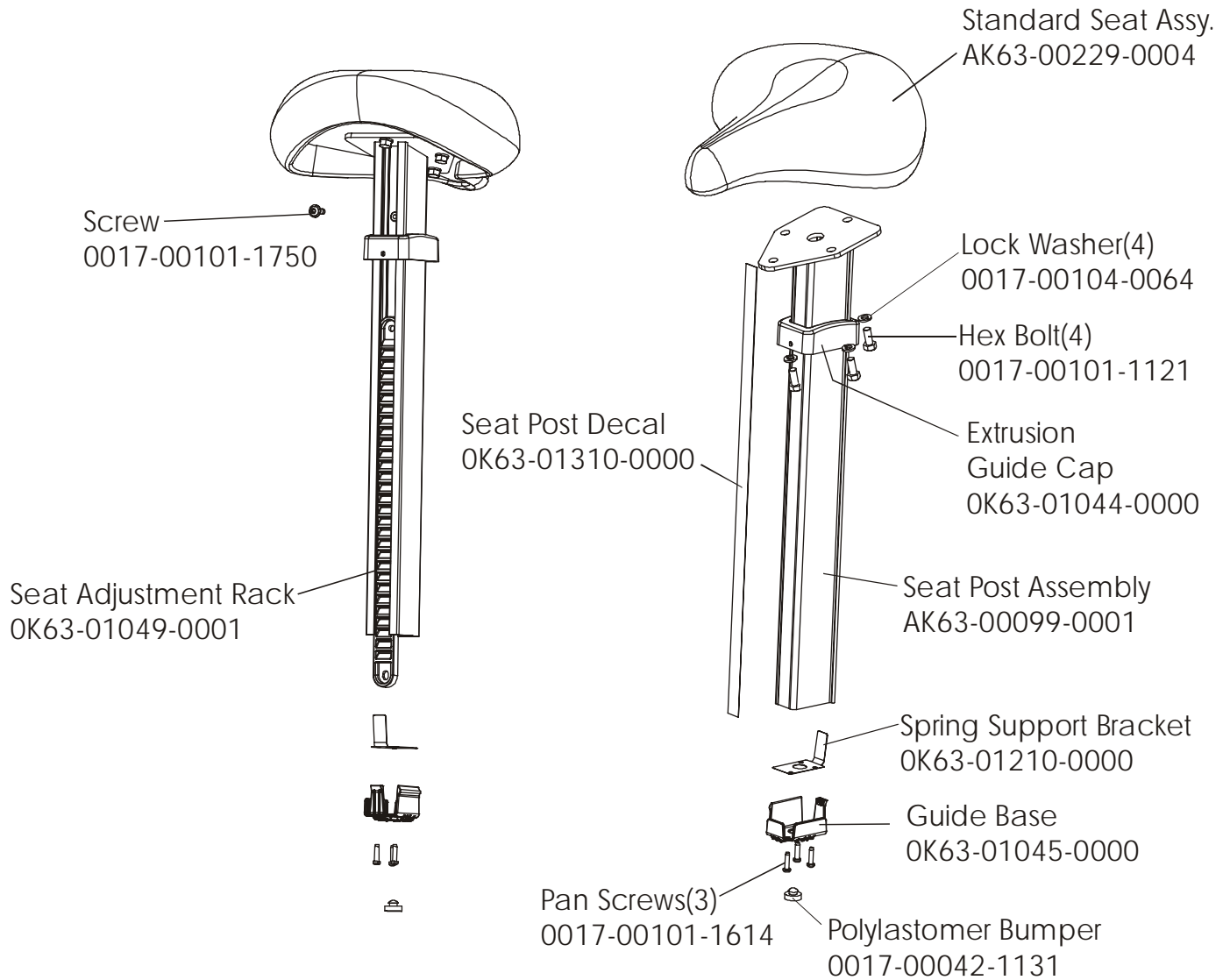


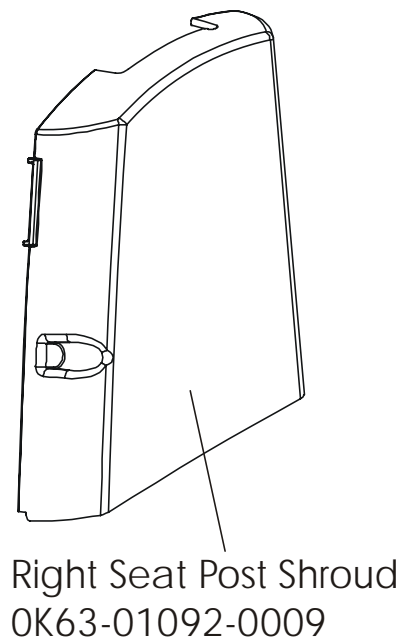
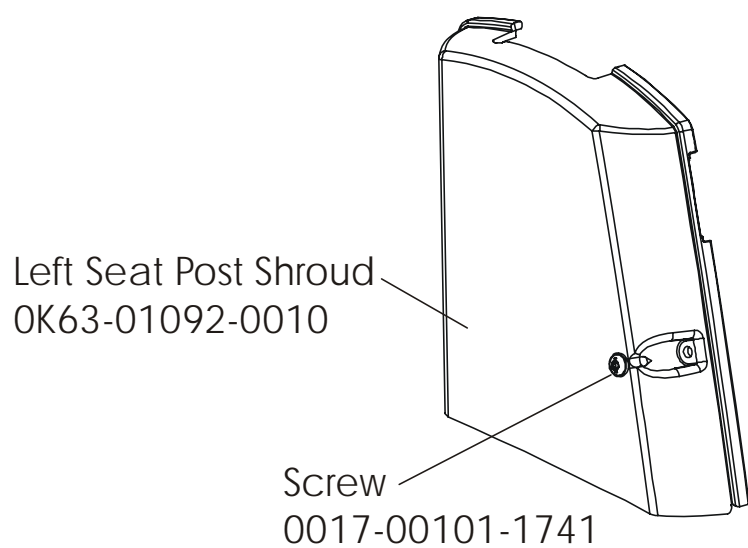
# ARCTIC SILVER 90CW

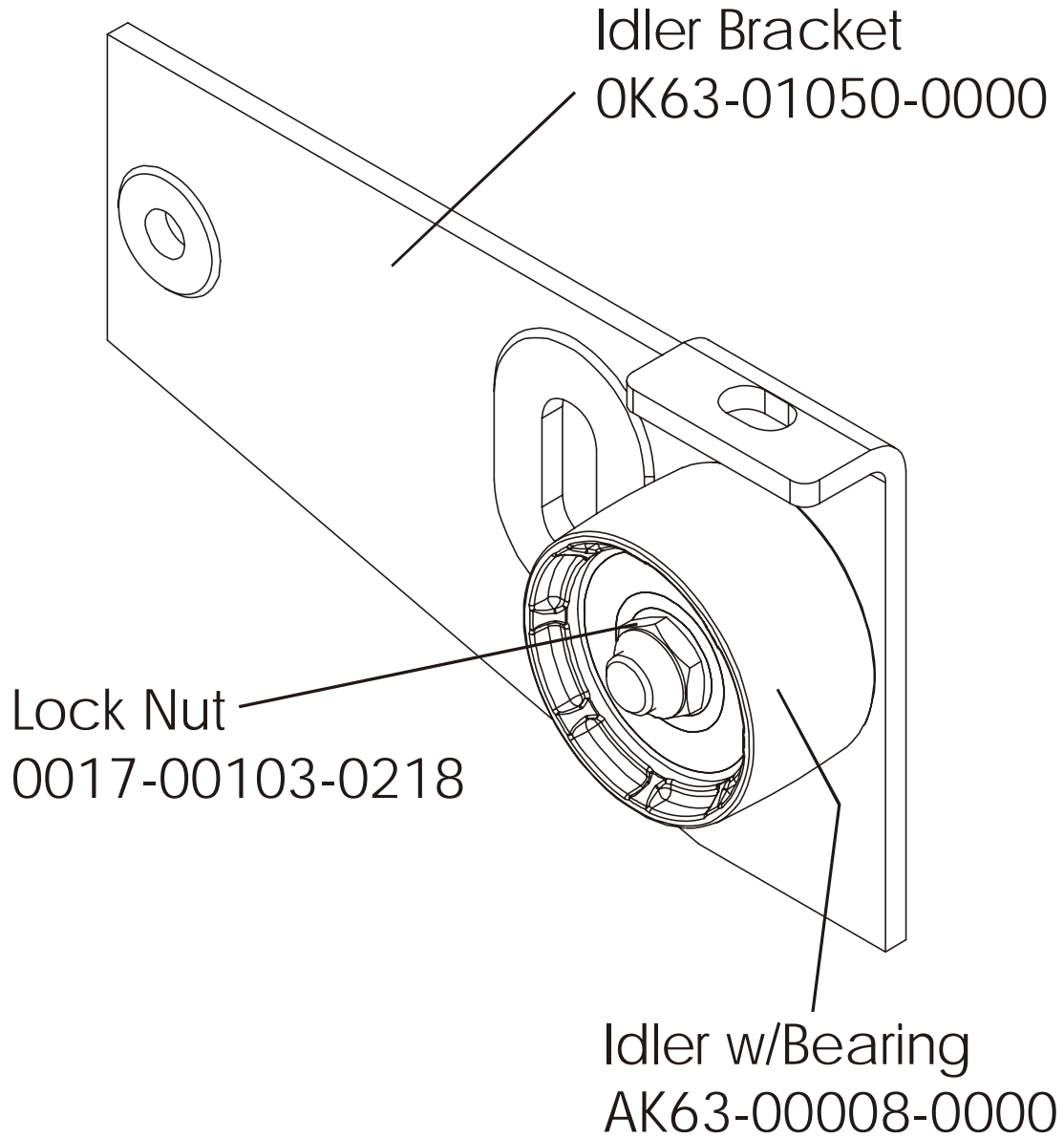
## Seat Post Assembly. – AK63-00232-0003

90CW-0XXX-02

S/N CCI100000 and UP

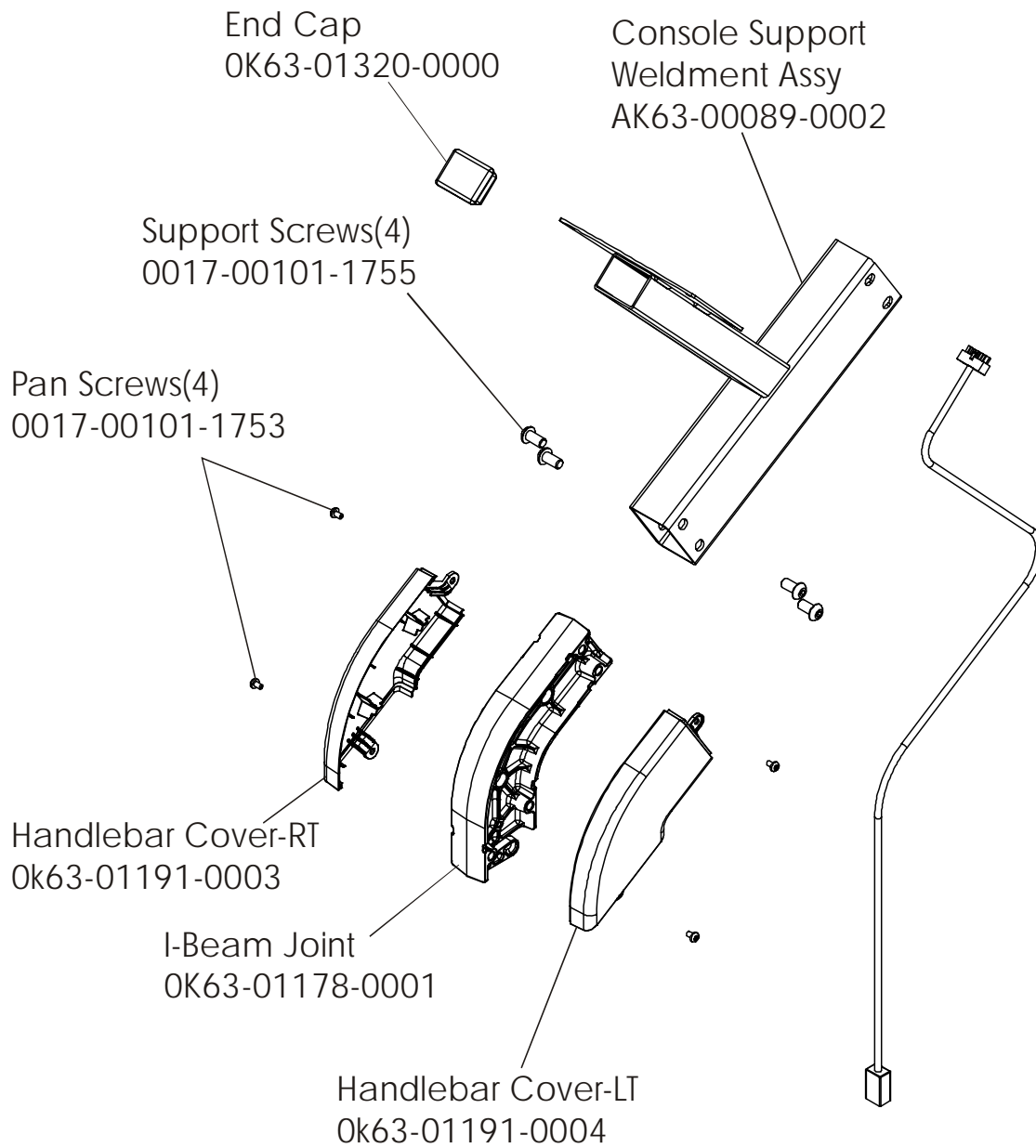






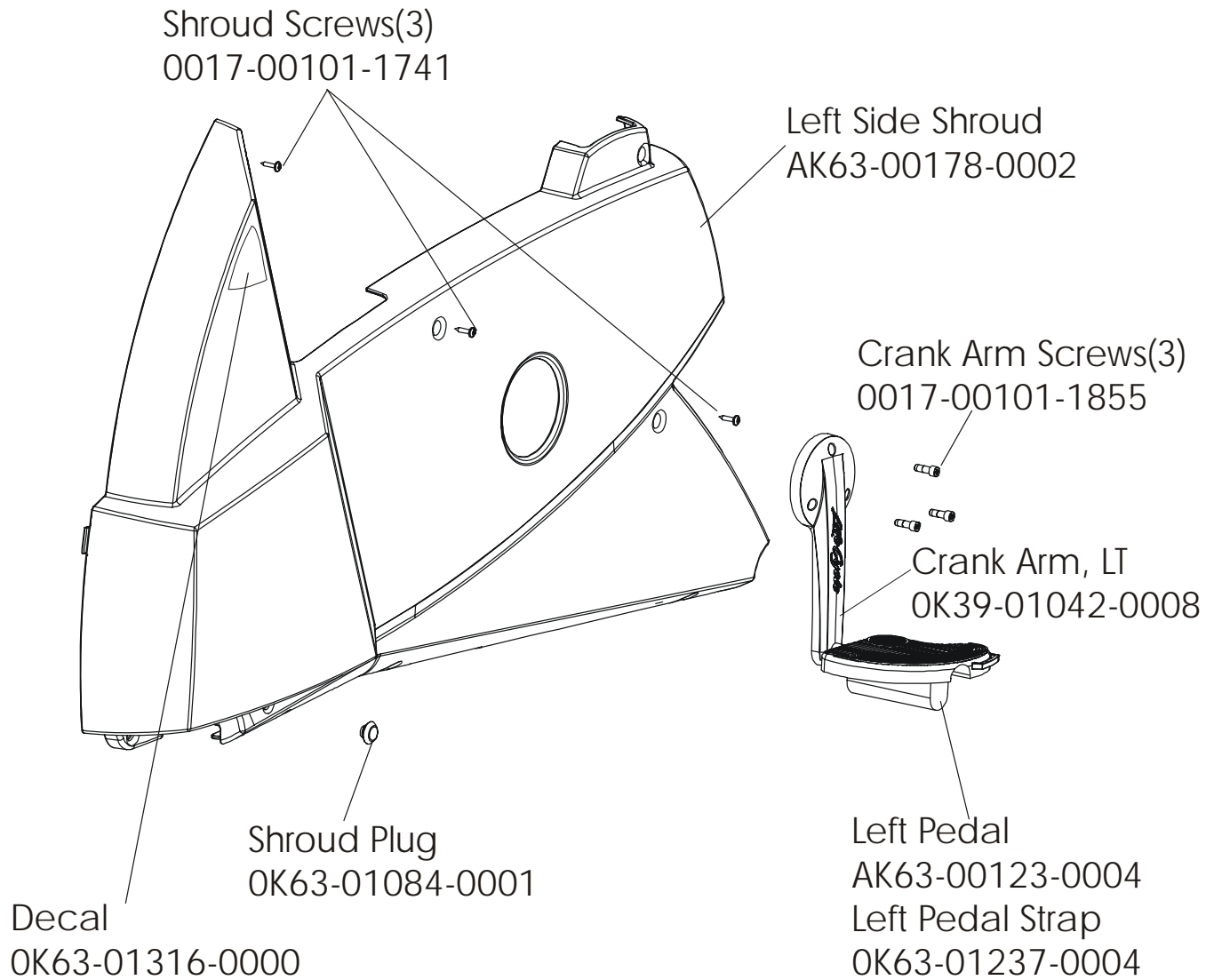
**ARCTIC SILVER 90CW**  
**Console Support Assembly**

**90CW-0XXX-02**  
**S/N CCI100000 and UP**



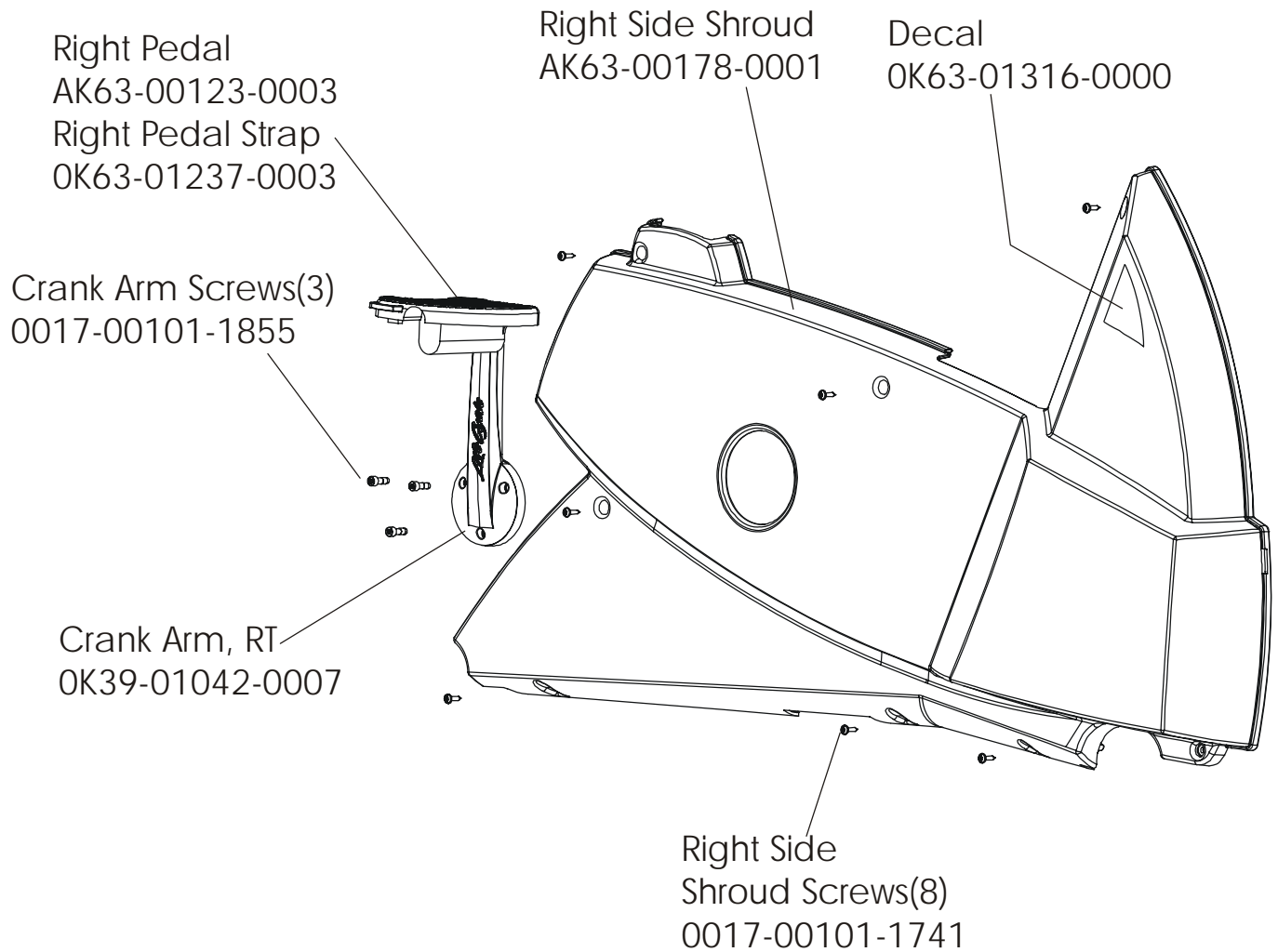
**ARCTIC SILVER 90CW**  
**Left Side Shroud and Crankarm**

**90CW-0XXX-02**  
**S/N CCI100000 and UP**



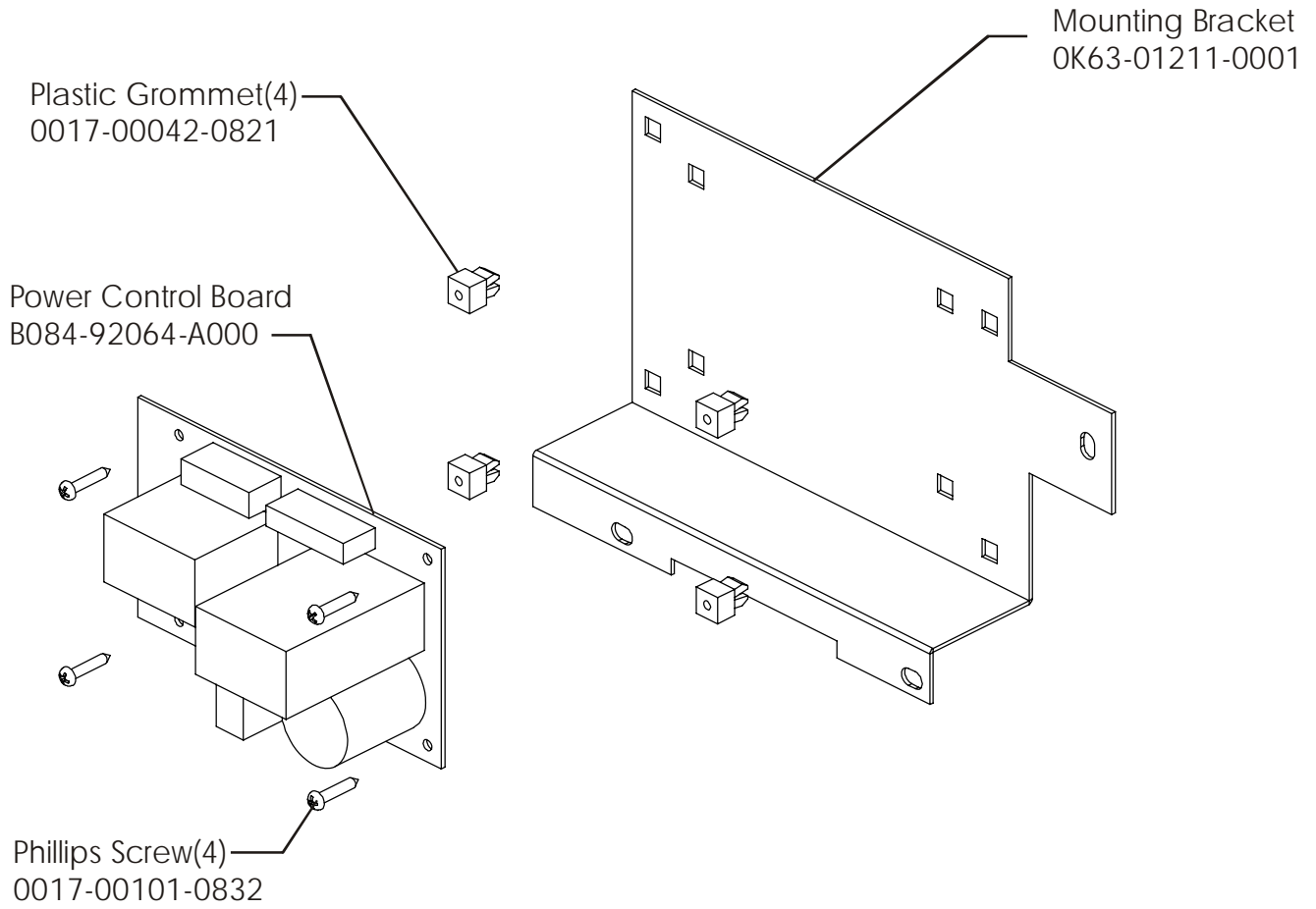
**ARCTIC SILVER 90CW**  
**Right Side Shroud and Crankarm**

**90CW-0XXX-02**  
**S/N CCI100000 and UP**

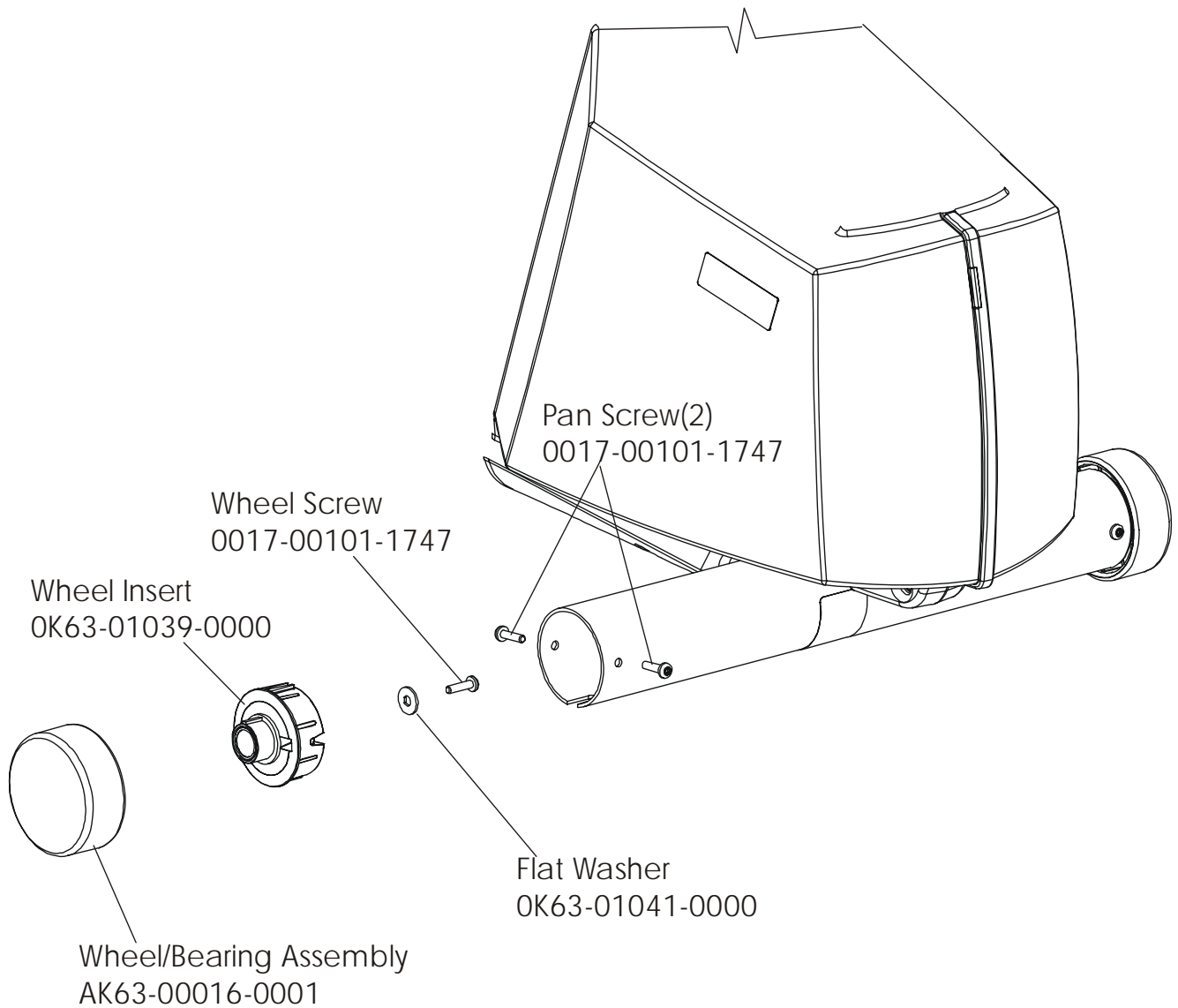


**ARCTIC SILVER 90CW**  
**PCB Mounting Bracket Assembly**

**90CW-0XXX-02**  
**S/N CCI100000 and UP**

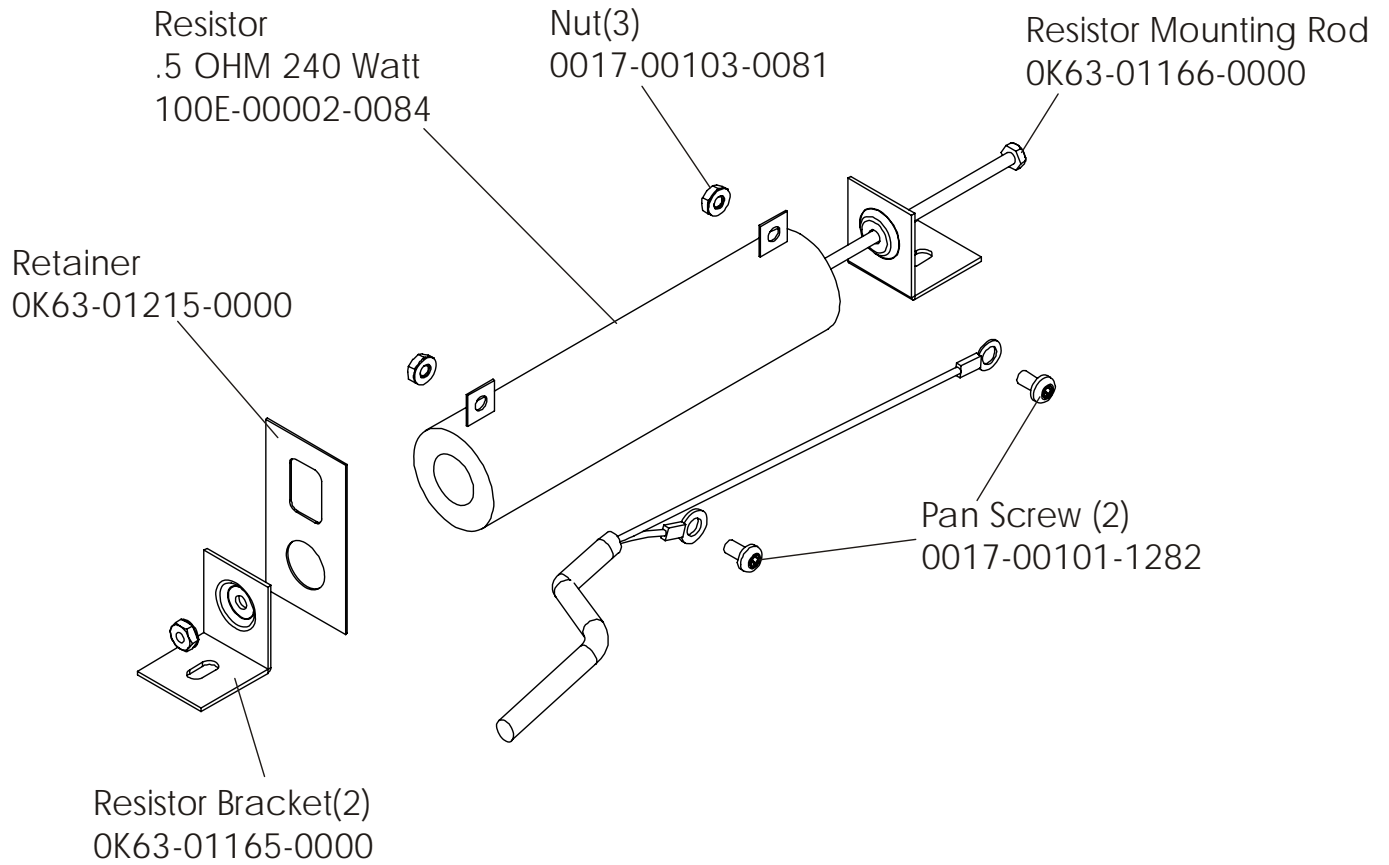






**ARCTIC SILVER 90CW**  
**Resistor Assembly – AK63-00114-0000**

**90CW-0XXX-02**  
**S/N CCI100000 and UP**

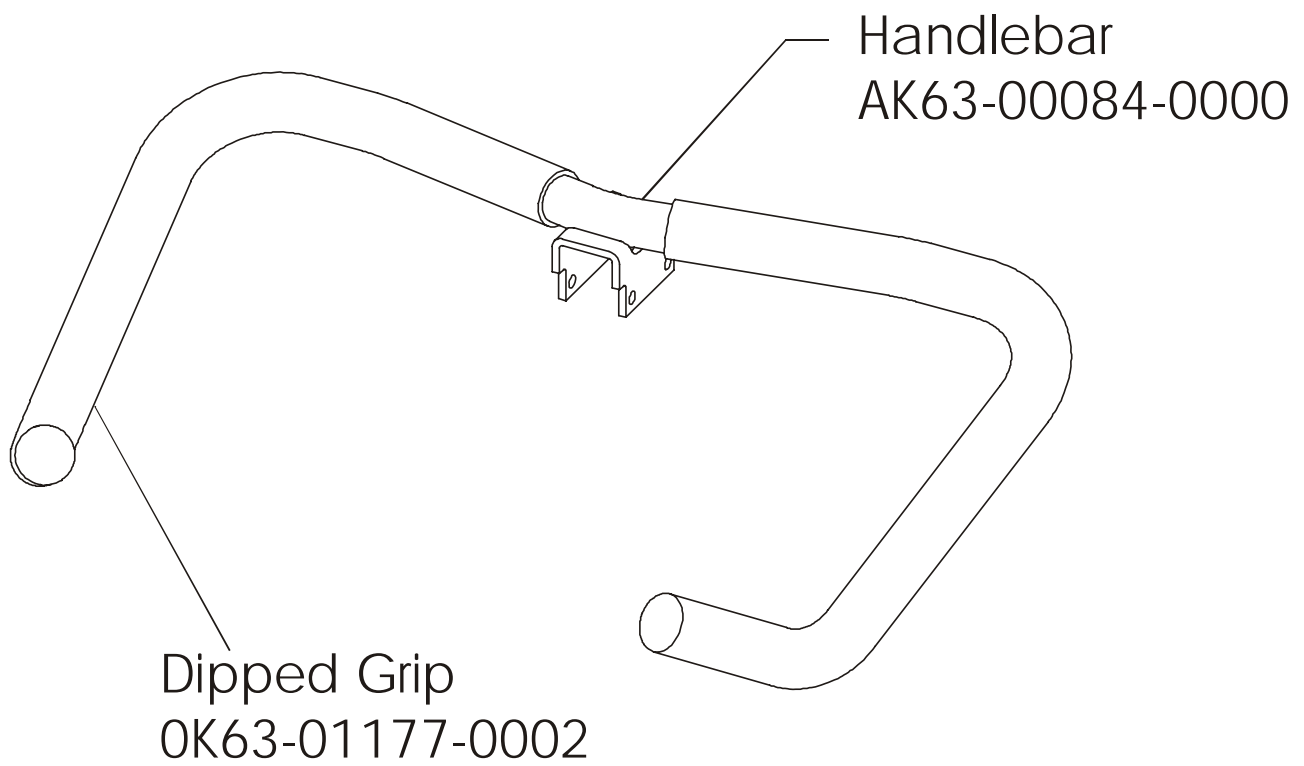


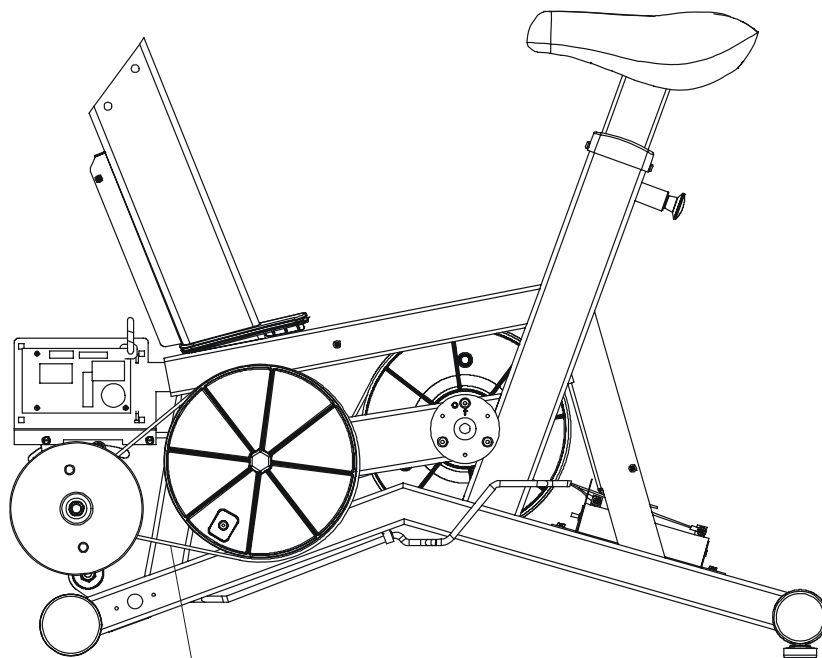
**ARCTIC SILVER 90CW**

**Handlebar Assembly – AK63-00101-0001**

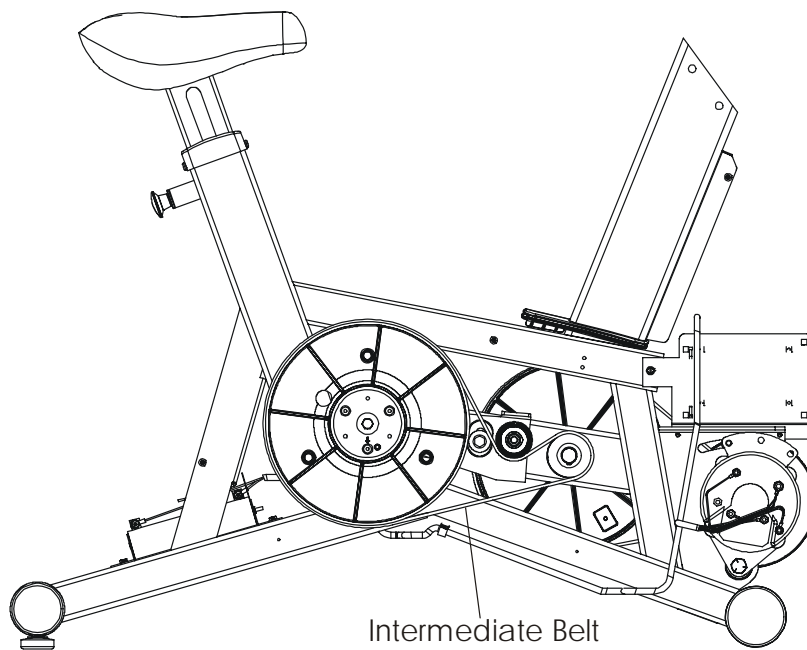
**90CW-0XXX-02**

**S/N CCI100000 and UP**





Alternator Belt  
OK63-01065-0000



Intermediate Belt  
OK63-01066-0001

# ARCTIC SILVER 90CW

## Cables

90CW-0XXX-02  
S/N CCI100000 and UP

