

# HAMMER STRENGTH®

**HAMMER  
STRENGTH®**

## HDL ELITE RACKS

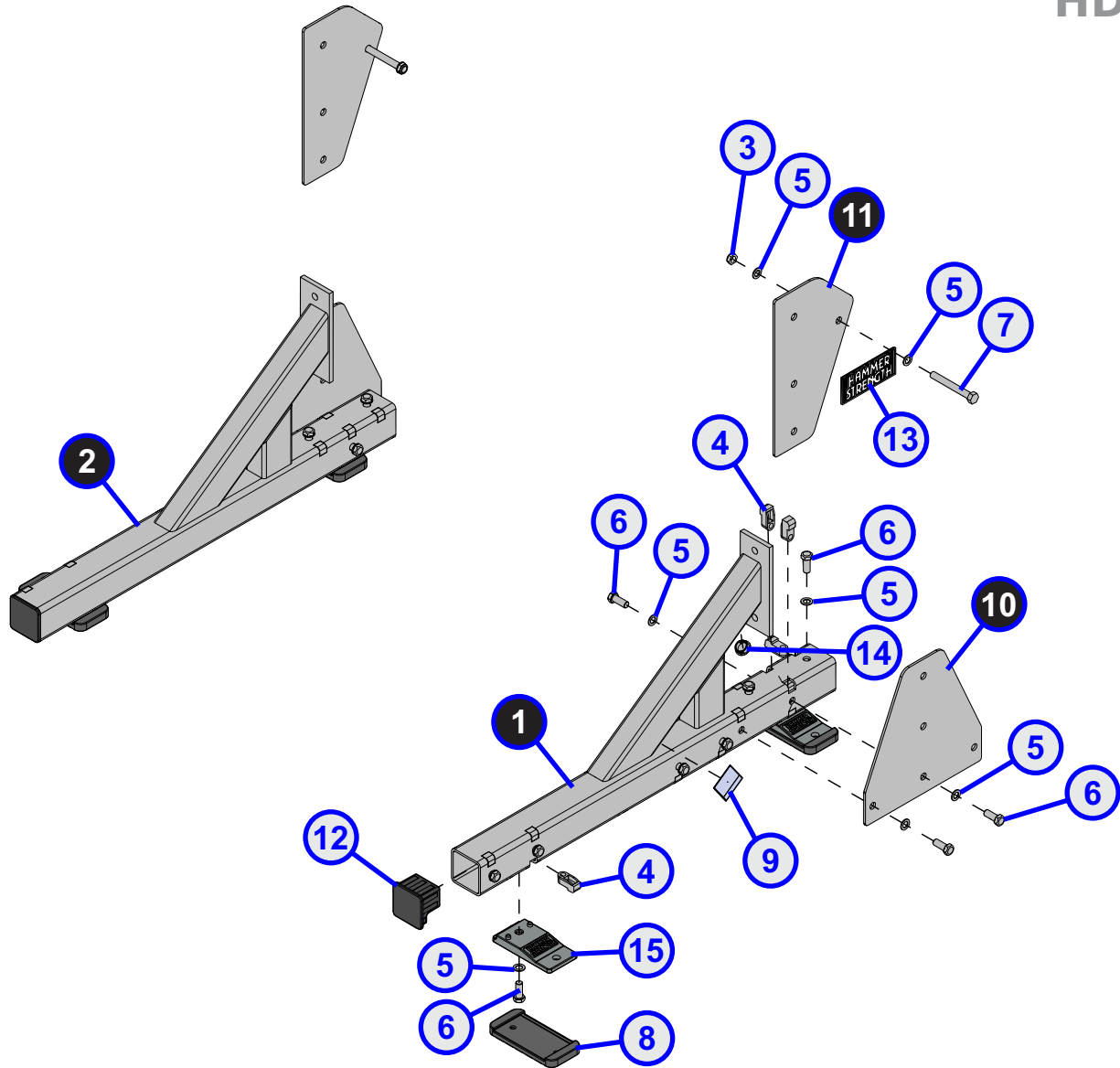
PARTS MANUAL

**SINGLE RACKS: HDLASR \* HDLDAP \* HDLHR \* HDLMR \* HDLPR**

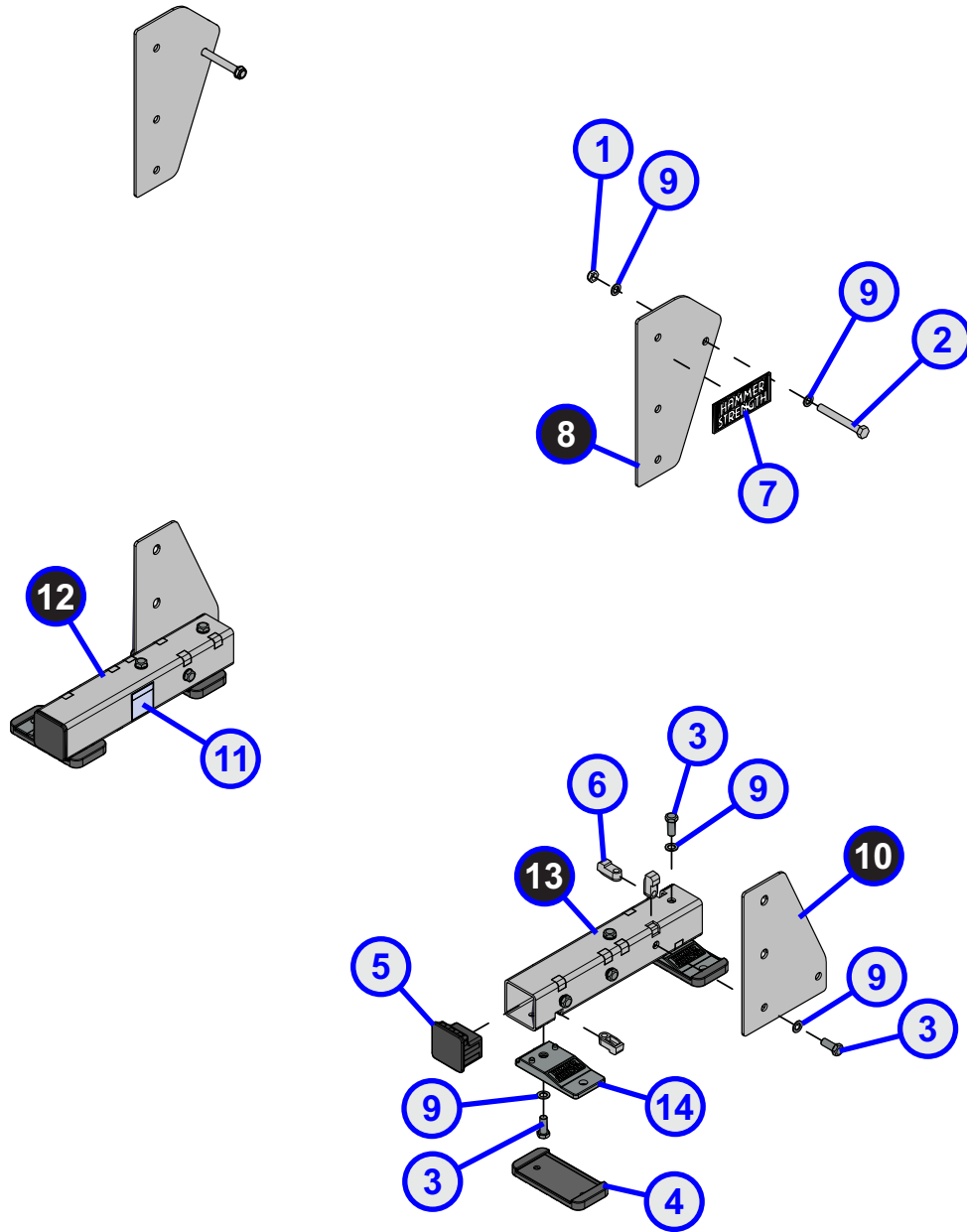
**COMBO RACKS: HDLCR - PR/MR \* HRS \* HRL**





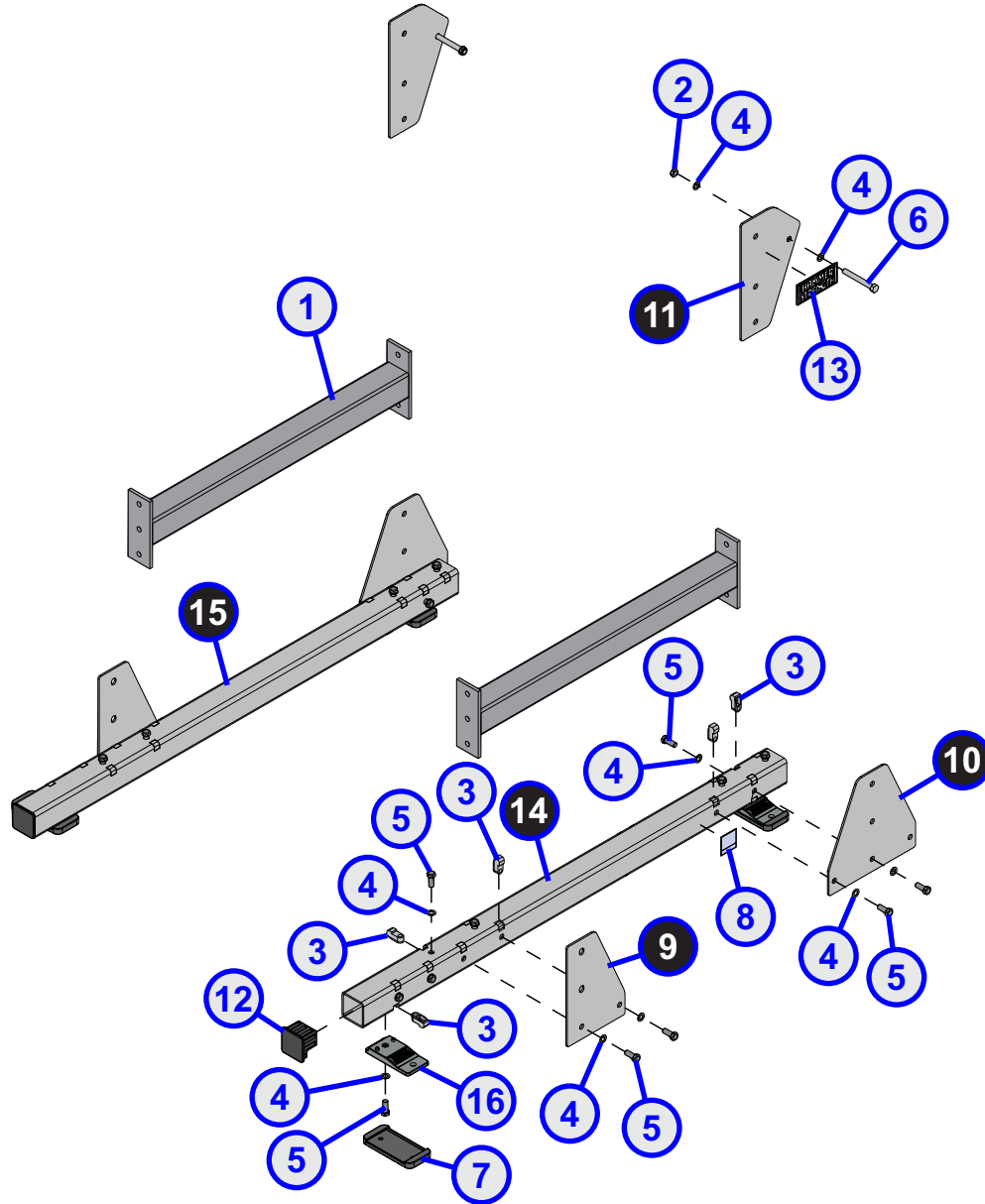


ITEM NO.	QTY.	PART NO.	DESCRIPTION
1	1	1000158-0000	WLDMT, HDLHR, BASE, STD, LT
2	1	1000156-0000	WLDMT, HDLHR, BASE, STD, RT
3	2	NUT.5JAMLOCK	1/2 THIN LOCK NUT
4	22	9097301	NUT, RECT TUBING, 7GA, 3"
5	26	WASH.5STAR	1/2" INTERNAL LOCK WASHER
6	22	3272805	1/2 IN-13 X 1.25 IN UNC HHCS G5 ZN
7	2	HHB.5X4	1/2 X 4 BOLT
8	4	MM-9	3 X 6 FLANGE RUBBER SLIPPER
9	1	7571301	LABEL, SERIAL NUMBER, BLANK
10	2	9016600	PLATE, HDEPR/MR, ANVIL, BACK
11	2	9212400	PLATE, HDE, ANVIL, UPPER
12	2	9212801	CAP, 3X3 SQ END
13	2	H-NAMEPLATE	HAMMER STRENGTH BADGE
14	2	3237403	PLUG, 1" HOLE
15	4	9407393	FOOT, HDL - HWG

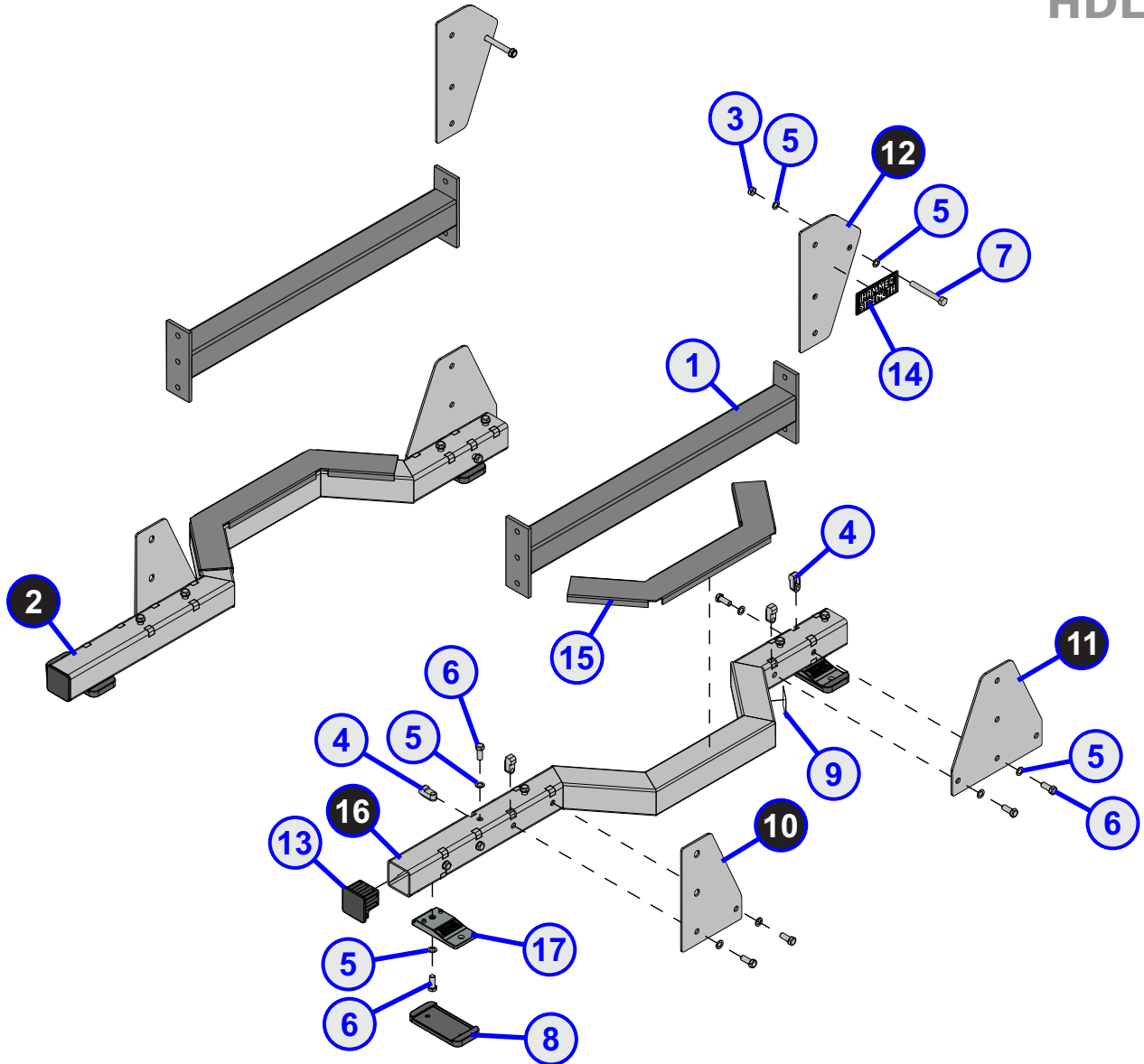


ITEM NO.	QTY.	PART NO.	DESCRIPTION
1	2	NUT.5JAMLOCK	1/2 THIN LOCK NUT
2	2	HHB.5X4	1/2 X 4 BOLT
3	16	3272805	1/2 IN-13 X 1.25 IN UNC HHCS G5 ZN
4	4	MM-9	3 X 6 FLANGE RUBBER SLIPPER
5	2	9212801	CAP, 3X3 SQ END
6	16	9097301	NUT, RECT TUBING, 7GA, 3"
7	2	H-NAMEPLATE	HAMMER STRENGTH BADGE
8	2	9212400	PLATE, HDE, ANVIL, UPPER
9	20	WASH.5STAR	1/2" INTERNAL LOCK WASHER
10	2	9016400	PLATE, HDE, ANVIL, LOWER
11	1	7571301	LABEL, SERIAL NUMBER, BLANK
12	1	1000166-0001	TUBE, HDLHRS, BASE, LT
13	1	1000165-0001	TUBE, HDLHRS, BASE, RT
14	4	9407393	FOOT, HDL - HWG

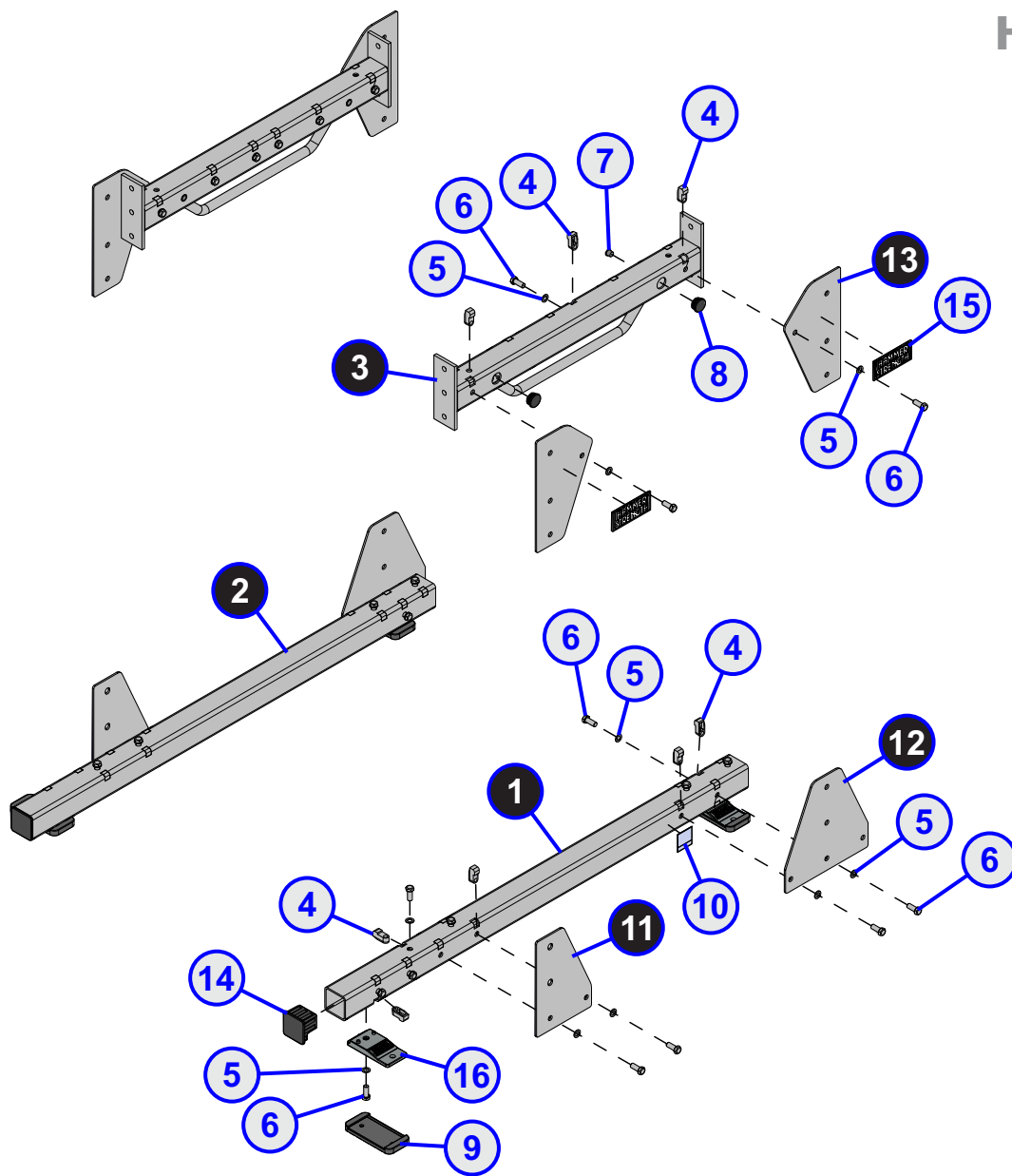




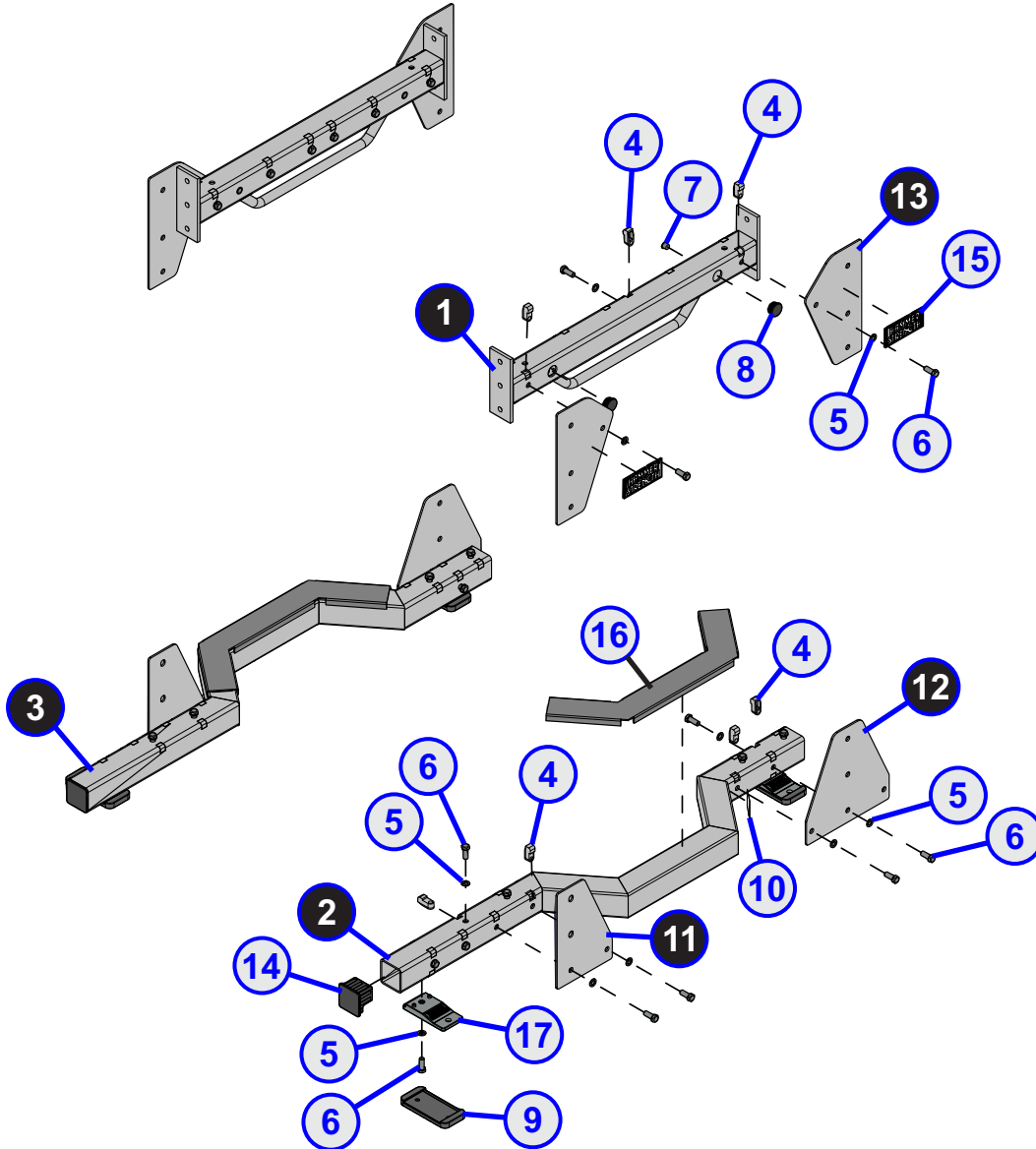
ITEM NO.	QTY.	PART NO.	DESCRIPTION
1	2	9030800	WLDMT, HDEM, FNT X-MEM
2	2	NUT.5JAMFINE	1/2IN JAM NUT FINE
3	26	9097301	NUT, RECT TUBING, 7GA, 3"
4	30	WASH.5STAR	1/2" INTERNAL LOCK WASHER
5	26	3272805	1/2 IN-13 X 1.25 IN UNC HHCS G5 ZN
6	2	HHB.5X4	1/2 X 4 BOLT
7	4	MM-9	3 X 6 FLANGE RUBBER SLIPPER
8	1	7571301	LABEL, SERIAL NUMBER, BLANK
9	2	9016400	PLATE, HDE, ANVIL, LOWER
10	2	9016600	PLATE, HDEPR/MR, ANVIL, BACK
11	2	9212400	PLATE, HDE, ANVIL, UPPER
12	2	9212801	CAP, 3X3 SQ END
13	2	H-NAMEPLATE	HAMMER STRENGTH BADGE
14	1	1000186-0002	TUBE, HDLPR/MR, BASE, LT
15	1	1000186-0001	TUBE, HDLPR/MR, BASE, RT
16	4	9407393	FOOT, HDL - HWG



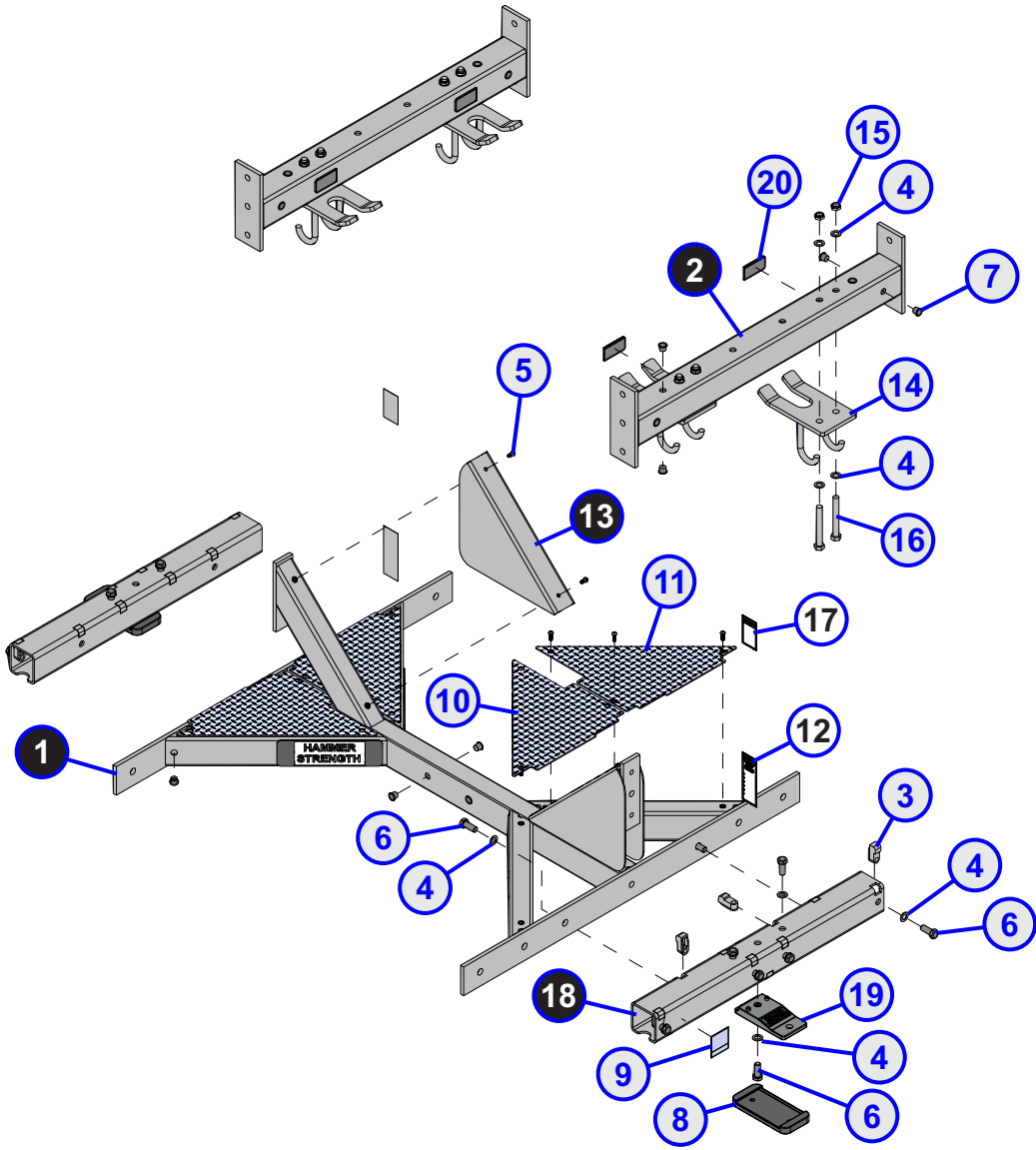
ITEM NO.	QTY.	PART NO.	DESCRIPTION
1	2	9030800	WLDMT, HDEMR, FNT X-MEM
2	1	1000210-0000	WLDMT, HDLPR/MR, BASE, SUMO, RT
3	2	NUT.5JAMLOCK	1/2 THIN LOCK NUT
4	26	9097301	NUT, RECT TUBING, 7GA, 3"
5	30	WASH.5STAR	1/2" INTERNAL LOCK WASHER
6	26	3272805	1/2 IN-13 X 1.25 IN UNC HHCS G5 ZN
7	2	HHB.5X4	1/2 X 4 BOLT
8	4	MM-9	3 X 6 FLANGE RUBBER SLIPPER
9	1	7571301	LABEL, SERIAL NUMBER, BLANK
10	2	9016400	PLATE, HDE, ANVIL, LOWER
11	2	9016600	PLATE, HDEPR/MR, ANVIL, BACK
12	2	9212400	PLATE, HDE, ANVIL, UPPER
13	2	9212801	CAP, 3X3 SQ END
14	2	H-NAMEPLATE	HAMMER STRENGTH BADGE
15	2	8797500	ASSY, HDE SUMO PAINT GUARD
16	1	1000200-0000	WLDMT, HDLPR/MR, BASE, SUMO, LT
17	4	9407393	FOOT, HDL - HWG



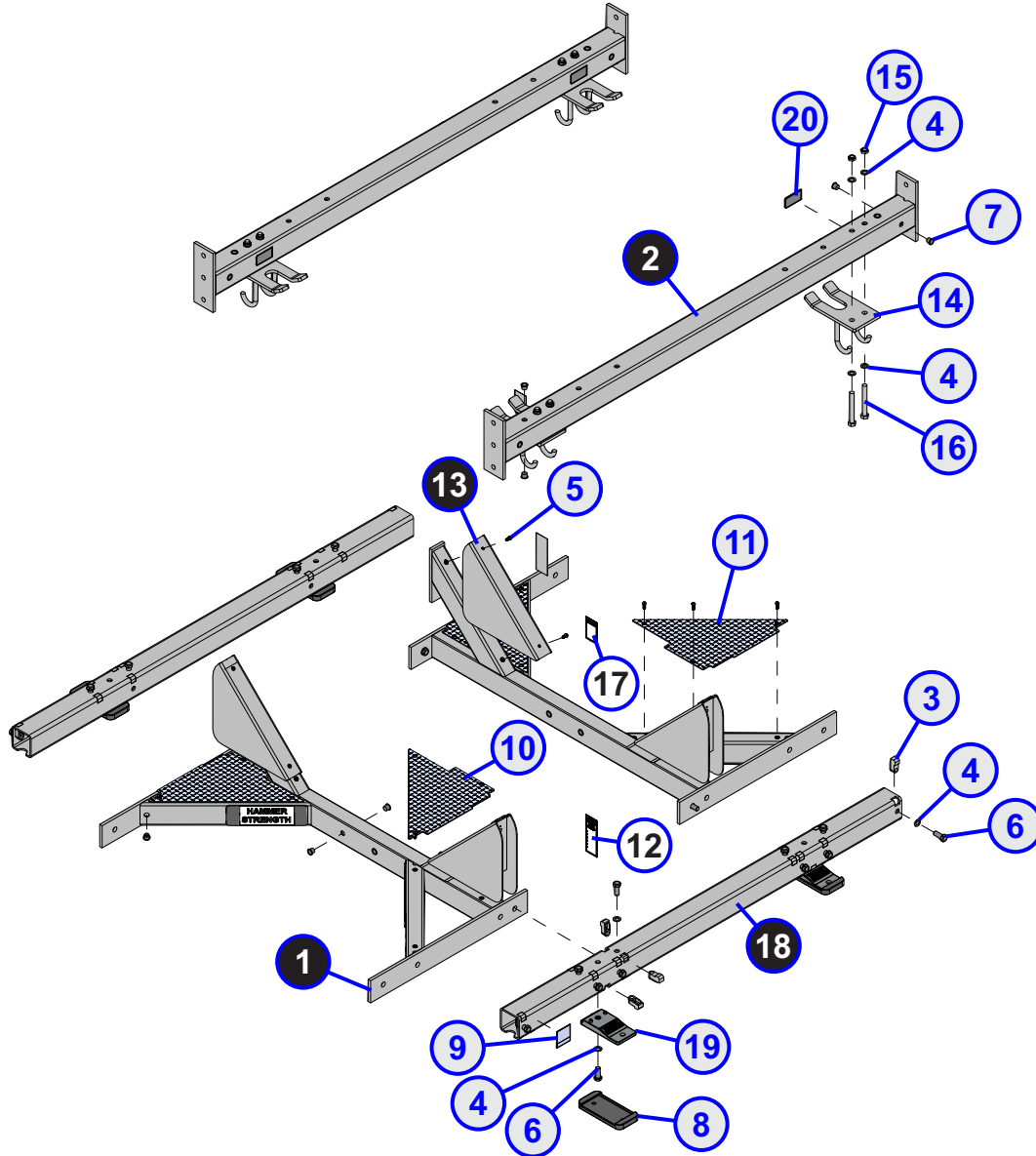
ITEM NO.	QTY.	PART NO.	DESCRIPTION
1	1	1000186-0002	TUBE, HDLPR/MR, BASE, LT
2	1	1000186-0001	TUBE, HDLPR/MR, BASE, RT
3	2	9017500	WLDMT, HDEPR, TOP X-MEM
4	42	9097301	NUT, RECT TUBING, 7GA, 3"
5	42	WASH.5STAR	1/2" INTERNAL LOCK WASHER
6	42	3272805	1/2 IN-13 X 1.25 IN UNC HHCS G5 ZN
7	4	H-HPLUG(REG)	H-PLUG 9-16
8	4	3119306	CAP, END 1-1/2 DIA, 8-12GA
9	4	MM-9	3 X 6 FLANGE RUBBER SLIPPER
10	1	7571301	LABEL, SERIAL NUMBER, BLANK
11	2	9016400	PLATE, HDE, ANVIL, LOWER
12	2	9016600	PLATE, HDEPR/MR, ANVIL, BACK
13	4	9212400	PLATE, HDE, ANVIL, UPPER
14	2	9212801	CAP, 3X3 SQ END
15	4	H-NAMEPLATE	HAMMER STRENGTH BADGE
16	4	9407393	FOOT, HDL



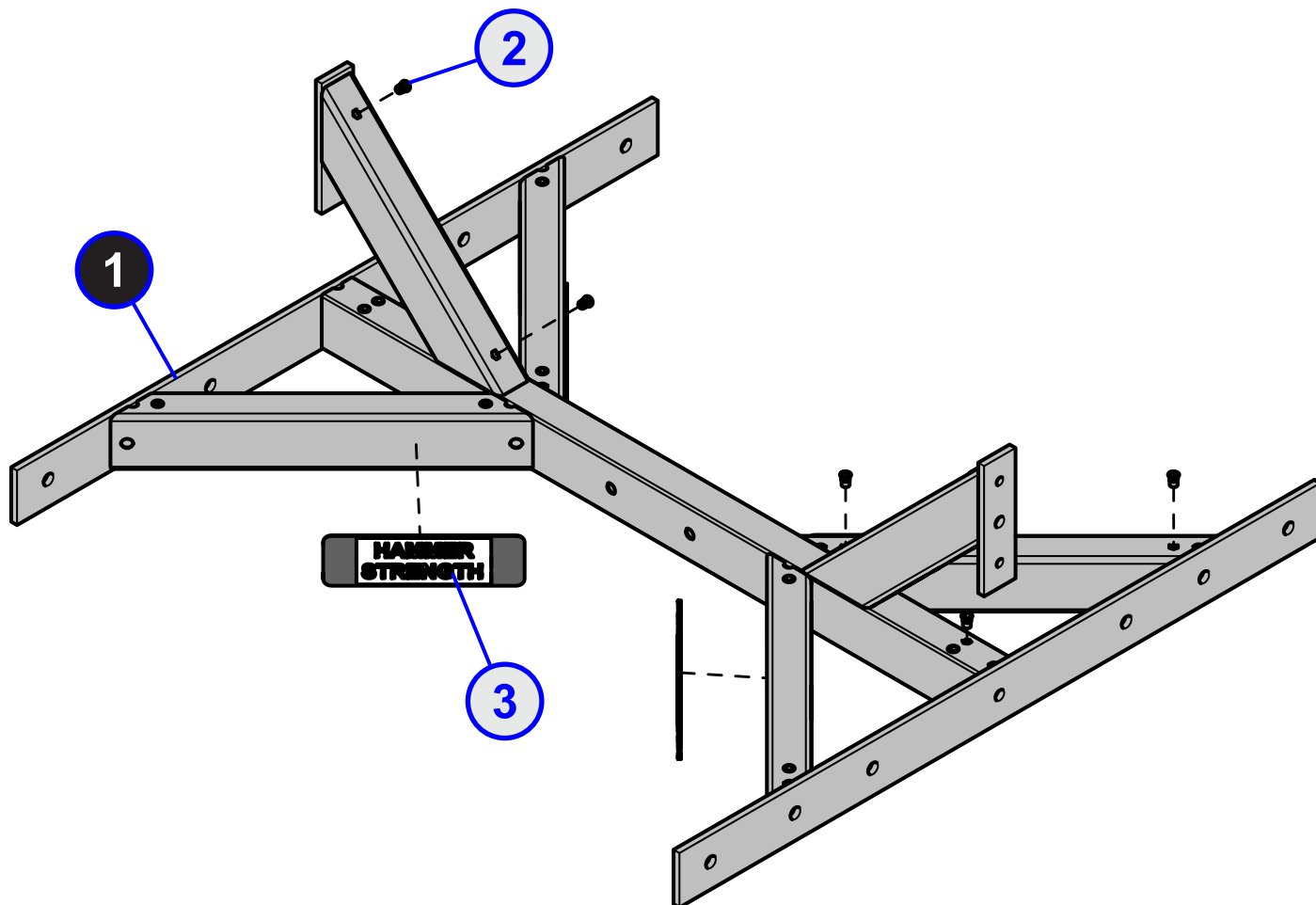
ITEM NO.	QTY.	PART NO.	DESCRIPTION
1	1	9017500	WLDMT, HDEPR, TOP X-MEM
2	1	1000200-0000	WLDMT, HDLPR/MR, BASE, SUMO, LT
3	1	1000210-0000	WLDMT, HDLPR/MR, BASE, SUMO, RT
4	41	9097301	NUT, RECT TUBING, 7GA, 3"
5	42	WASH.5STAR	1/2" INTERNAL LOCK WASHER
6	42	3272805	1/2 IN-13 X 1.25 IN UNC HHCS G5 ZN
7	4	H-HPLUG(REG)	H-PLUG 9-16
8	4	3119306	CAP, END 1-1/2 DIA, 8-12GA
9	4	MM-9	3 X 6 FLANGE RUBBER SLIPPER
10	1	7571301	LABEL, SERIAL NUMBER, BLANK
11	2	9016400	PLATE, HDE, ANVIL, LOWER
12	2	9016600	PLATE, HDEPR/MR, ANVIL, BACK
13	4	9212400	PLATE, HDE, ANVIL, UPPER
14	2	9212801	CAP, 3X3 SQ END
15	4	H-NAMEPLATE	HAMMER STRENGTH BADGE
16	2	8797500	ASSY, HDE SUMO PAINT GUARD
17	4	9407393	FOOT, HDL - HWG



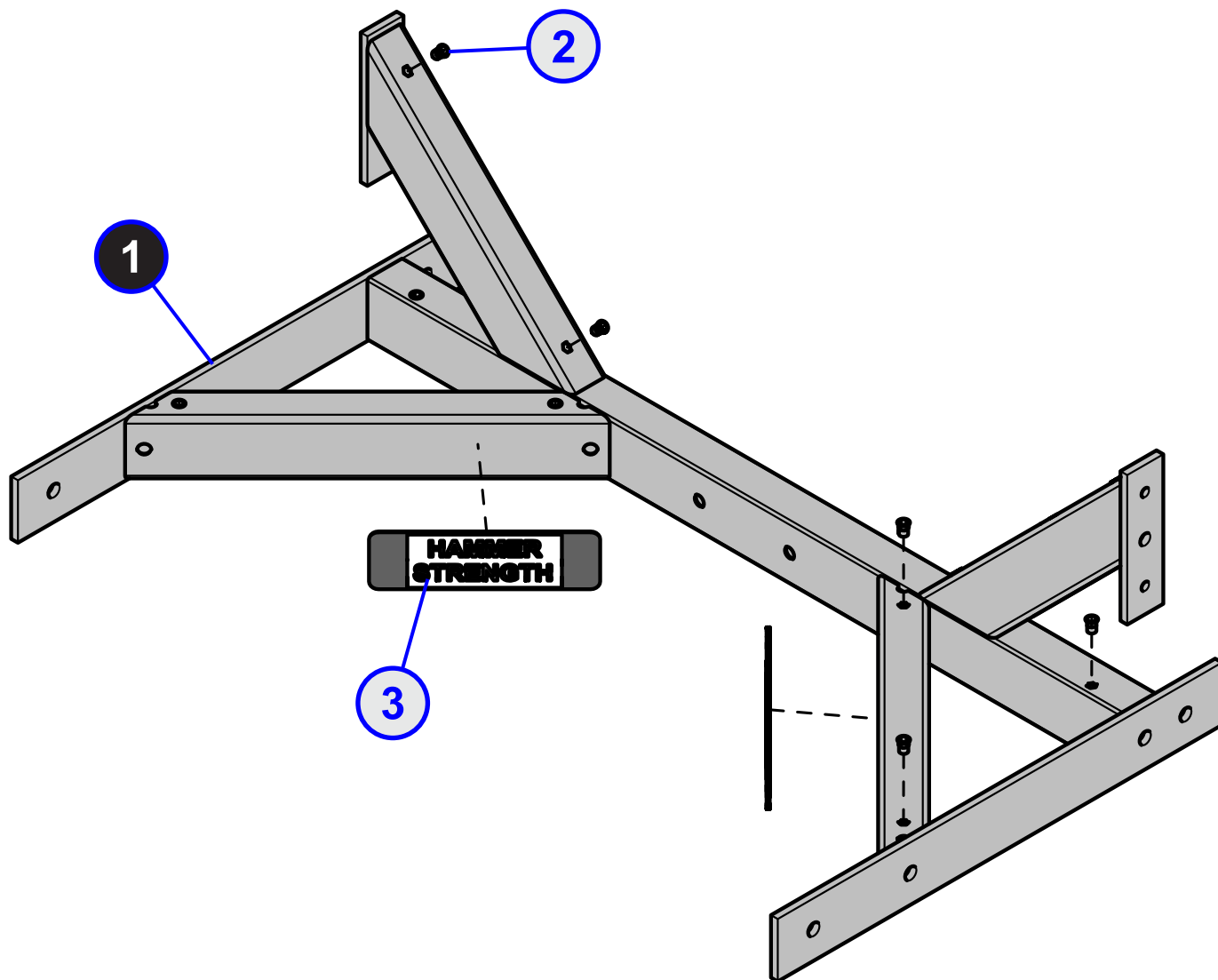
ITEM NO.	QTY.	PART NO.	DESCRIPTION
1	1	9117701	ASSY, HDE, BASE GUSSET, DOUBLE
2	2	9030100	WLDMT, HDE, X-MEM, SRT STGE
3	18	9097301	NUT, RECT TUBING, 7GA, 3"
4	36	WASH.5STAR	1/2" INTERNAL LOCK WASHER
5	16	3272705	SCREW, 1/4"-20 X 3/4", BHSCS
6	18	3272805	1/2 IN-13 X 1.25 IN UNC HHCS G5 ZN
7	26	H-HPLUG(REG)	H-PLUG 9-16
8	2	MM-9	3 X 6 FLANGE RUBBER SLIPPER
9	1	7571301	LABEL, SERIAL NUMBER, BLANK
10	2	9043402	PLATE, HDE DIAMOND
11	2	9043502	PLATE, HDE DIAMOND
12	2	89265XX	LABEL, ASTM, OLY VERT
13	2	9137600	BRKT, HDE, BASE GUSSET COVER
14	4	9112601	WLDMT, HDE, BAR-CHAIN, SML
15	8	NUT.5JAMLOCK	1/2 THIN LOCK NUT
16	8	HHB.5X4	1/2 X 4 BOLT
17	2	91411XX	LABEL, WARN, STRAP TRAIN
18	2	1000196-0001	TUBE, HDL, STOR, SS
19	2	9407393	FOOT, HDL
20	4	H-PLATE-G2	MEDIUM PLATE GUARD



ITEM NO.	QTY.	PART NO.	DESCRIPTION
1	2	9117600	ASSY, HDL, BASE GUSSET, SINGLE
2	2	9030200	WLDMT, HDE, X-MEM, LG STGE
3	28	9097301	NUT, RECT TUBING, 7GA, 3"
4	44	WASH.5STAR	1/2" INTERNAL LOCK WASHER
5	20	3272705	SCREW, 1/4"-20 X 3/4", BHSCS
6	28	3272805	1/2 IN-13 X 1.25 IN UNC HHCS G5 ZN
7	28	H-HPLUG(REG)	H-PLUG 9-16
8	4	MM-9	3 X 6 FLANGE RUBBER SLIPPER
9	1	7571301	LABEL, SERIAL NUMBER, BLANK
10	2	9043402	PLATE, HDE DIAMOND
11	2	9043502	PLATE, HDE DIAMOND
12	2	89265XX	LABEL, ASTM, OLY VERT
13	4	9137600	BRKT, HDE, BASE GUSSET COVER
14	4	9112601	WLDMT, HDE, BAR-CHAIN, SML
15	8	NUT.5JAMLOCK	1/2 THIN LOCK NUT
16	8	HHB.5X4	1/2 X 4 BOLT
17	2	91411XX	LABEL, WARN, STRAP TRAIN
18	2	1000197-0001	TUBE, HDL, STOR, LD
19	4	9407393	FOOT, HDL
20	4	H-PLATE-G2	MEDIUM PLATE GUARD

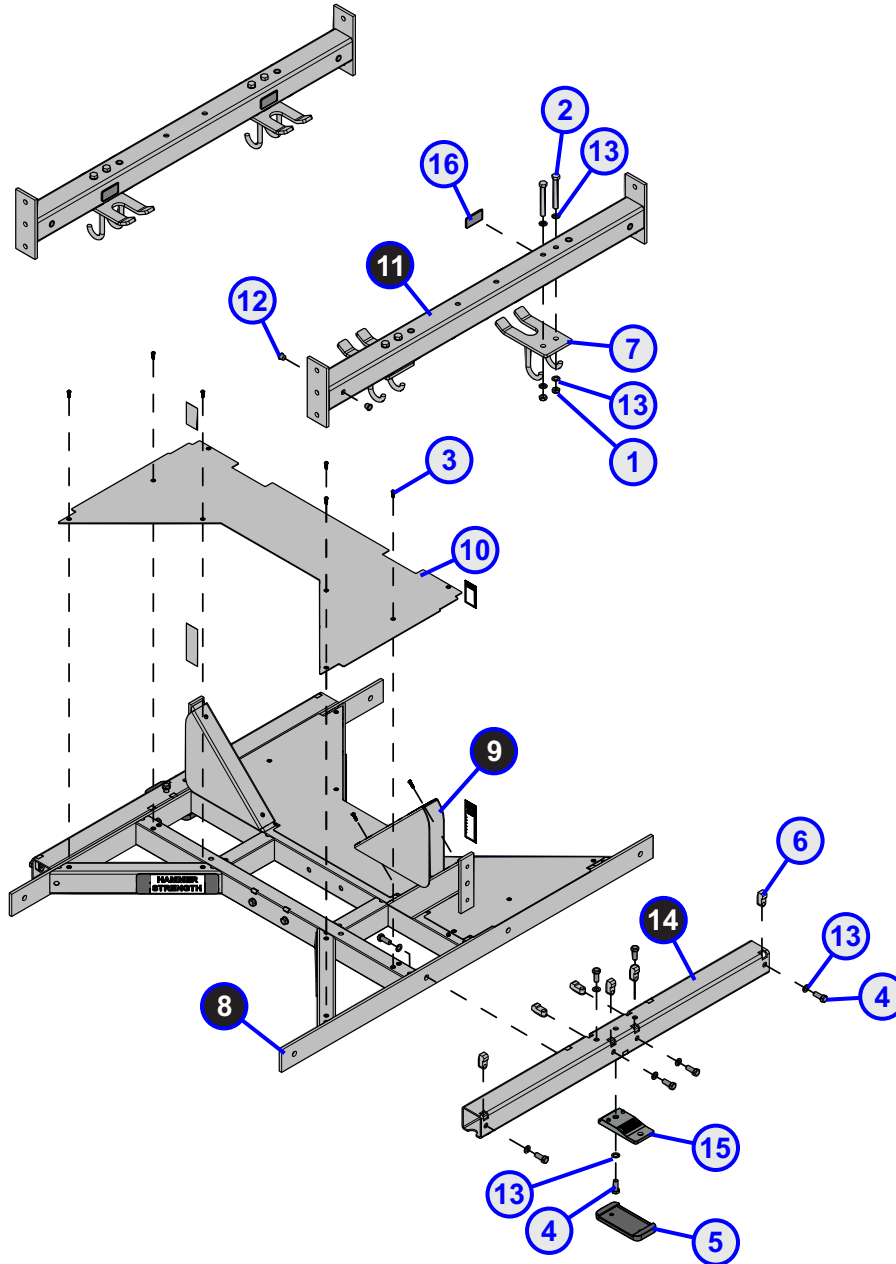


ITEM NO.	QTY.	PART NO.	DESCRIPTION
1	1	9117701	ASSY, HDE, BASE GUSSET, DOUBLE
2	16	3229901	NUT, AVK 1/4-20 HEX
3	4	H-NONSKID 3X9	PLASTIC NON SKID STRIP 3 X 9

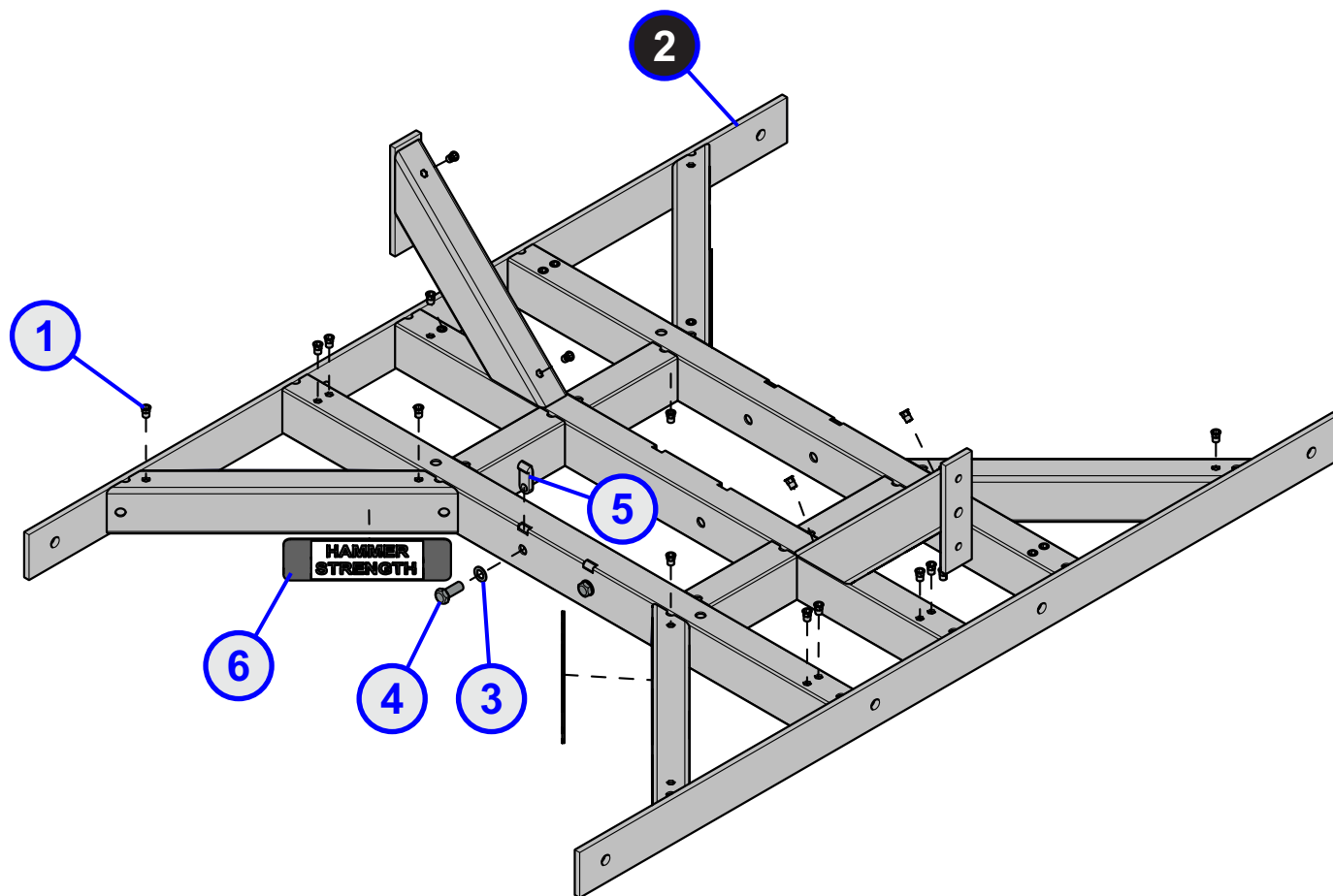


ITEM NO.	QTY.	PART NO.	DESCRIPTION
1	1	9117600	ASSY, HDE, BASE GUSSET, SINGLE
2	10	3229901	NUT, AVK 1/4-20 HEX
3	2	H-NONSKID 3X9	PLASTIC NON SKID STRIP 3 X 9

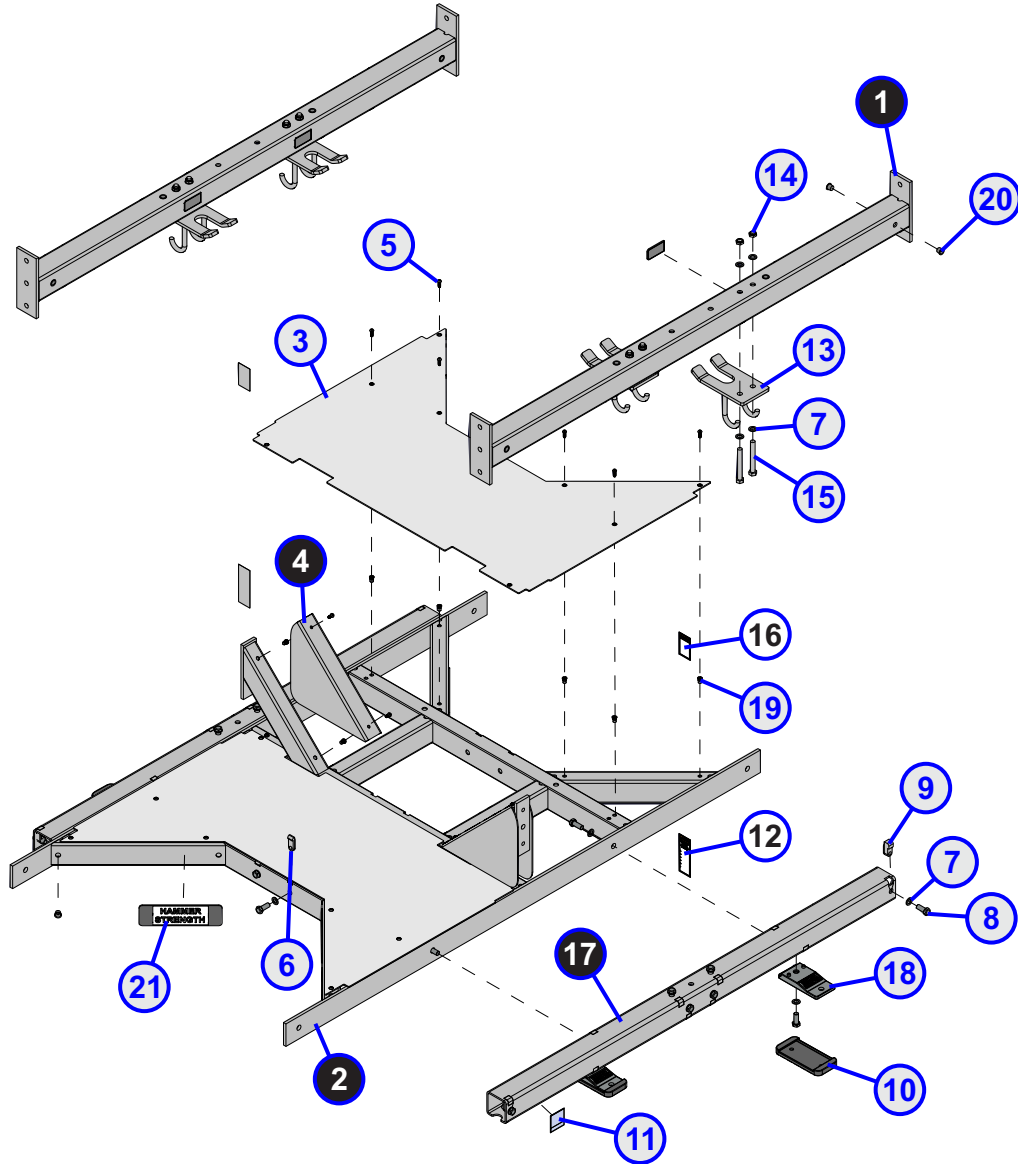




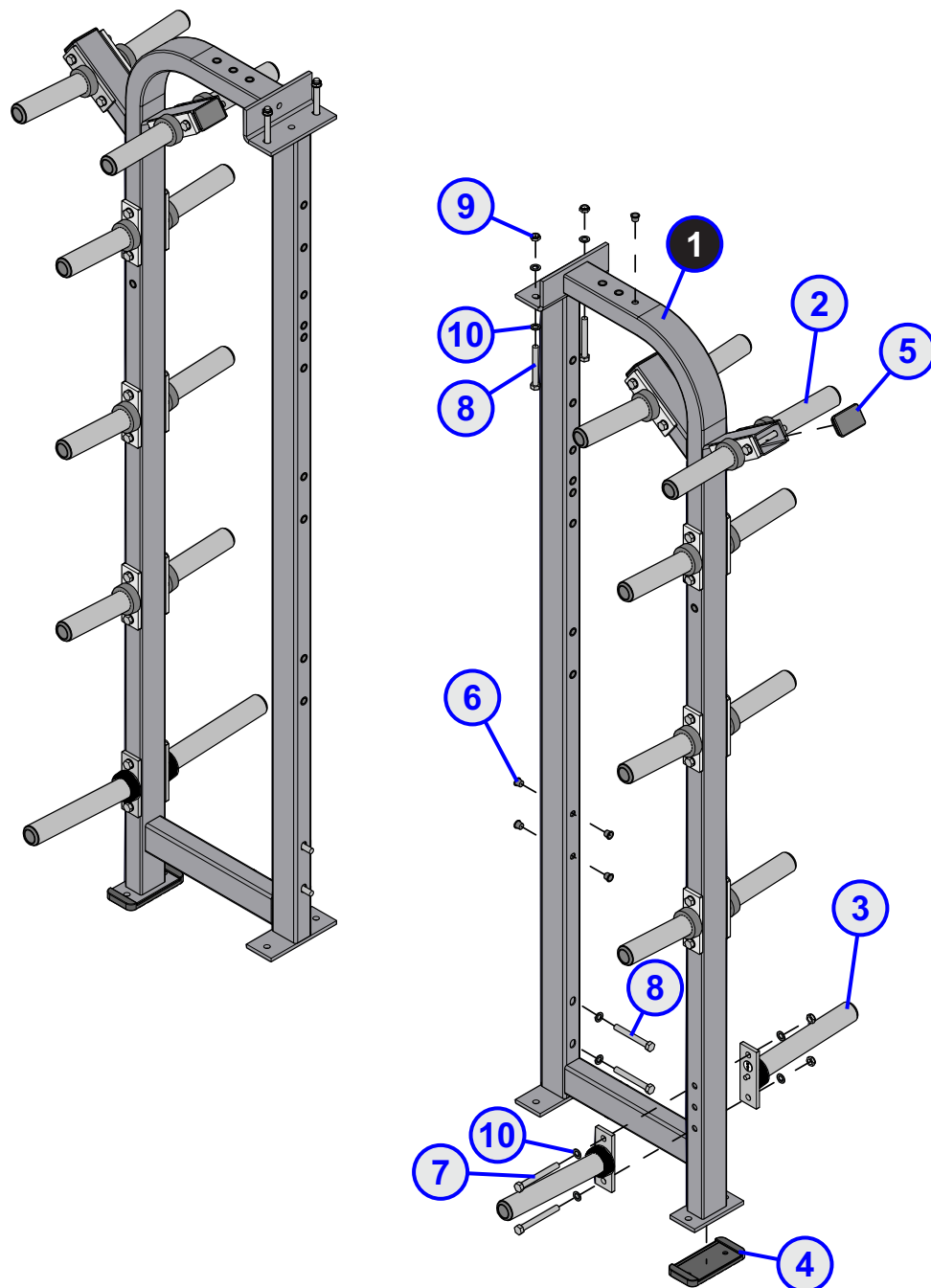
ITEM NO.	QTY.	PART NO.	DESCRIPTION
1	8	NUT.5JAMLOCK	1/2 THIN LOCK NUT
2	8	HHB.5X4	1/2 X 4 BOLT
3	12	3272705	SCREW, 1/4"-20 X 3/4", BHSCS
4	18	3272805	1/2 IN-13 X 1.25 IN UNC HHCS G5 ZN
5	2	MM-9	3 X 6 FLANGE RUBBER SLIPPER
6	18	9097301	NUT, RECT TUBING, 7GA, 3"
7	4	9112601	WLDMT, HDE, BAR-CHAIN, SML
8	1	9221300	ASSY, HDE, BASE GUSSET, MS
9	2	9137600	BRKT, HDE, BASE GUSSET COVER
10	2	9204202	PLATE, HDE DIAMOND
11	2	9209700	WLDMT, HDE, X-MEM, STGE, MS
12	16	H-HPLUG(REG)	H-PLUG 9-16
13	34	WASH.5STAR	1/2" INTERNAL LOCK WASHER
14	2	1000209-0001	TUBE, HDL, STOR, MS
15	2	9407393	FOOT, HDL
16	4	H-PLATE-G2	MEDIUM PLATE GUARD



ITEM NO.	QTY.	PART NO.	DESCRIPTION
1	24	3229901	NUT, AVK 1/4-20 HEX
2	1	9221300	ASSY, HDE, BASE GUSSET, MS
3	4	WASH.5STAR	1/2" INTERNAL LOCK WASHER
4	4	3272805	1/2 IN-13 X 1.25 IN UNC HHCS G5 ZN
5	4	9311803	NUT, RECT TUBING, 11GA, 3"
6	4	H-NONSKID 3X9	PLASTIC NON SKID STRIP 3 X 9

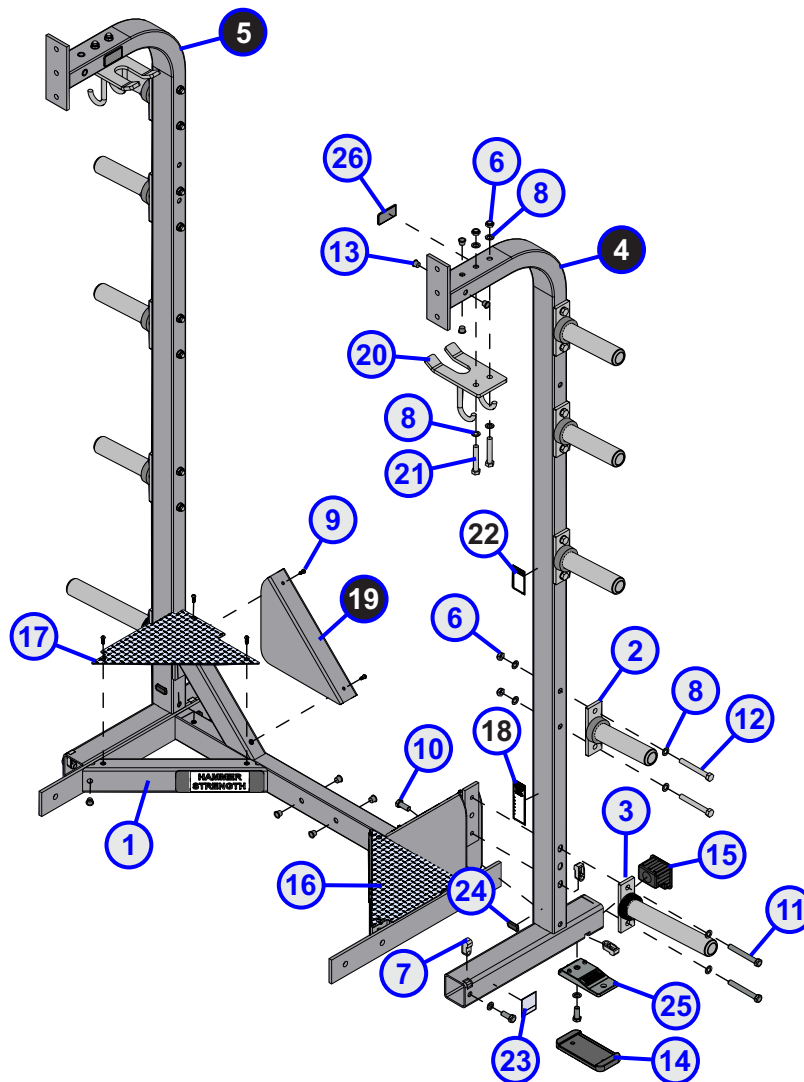


ITEM NO.	QTY.	PART NO.	DESCRIPTION
1	2	1007066-0000	WLDMT: UPPER, HDLSTOR-LS
2	1	1007071-0000	WLDMT: BASE, HDLSTOR-LS
3	2	1007072-0000	PLATE: DIAMOND, HDLSTOR-LS
4	2	9137600	BRKT, HDE, BASE GUSSET COVER
5	20	3272705	SCREW, 1/4"-20 X 3/4", BHSCS
6	4	9311803	NUT, RECT TUBING, 11GA, 3"
7	40	WASH.5STAR	1/2" INTERNAL LOCK WASHER
8	24	3272805	1/2 IN-13 X 1.25 IN UNC HHCS G5 ZN
9	20	9097301	NUT, RECT TUBING, 7GA, 3"
10	4	MM-9	3 X 6 FLANGE RUBBER SLIPPER
11	1	7671301	LABEL, SERIAL NUMBER, BLANK
12	2	89265XX	LABEL, ASTM, OLY VERT
13	4	9112601	WLDMT, HDE, BAR-CHAIN, SML
14	8	NUT.5JAMLOCK	1/2 THIN LOCK NUT
15	8	HHB.5X4	1/2 X 4 BOLT
16	2	91411XX	LABEL, WARN, STRAP TRAIN
17	2	1007076-0000	TUBE: LOWER, HDLSTOR-LS
18	4	9407393	FOOT, HDL - HWG
19	20	3229901	NUT, AVK 1/4-20 HEX
20	20	H-HPLUG(REG)	9/16 IN. HOLE PLUG
21	4	H-NONSKID 3X9	PLASTIC NON SKID STRIP 3 X 9
22	4	H-PLATE-G2	MEDIUM PLATE GUARD

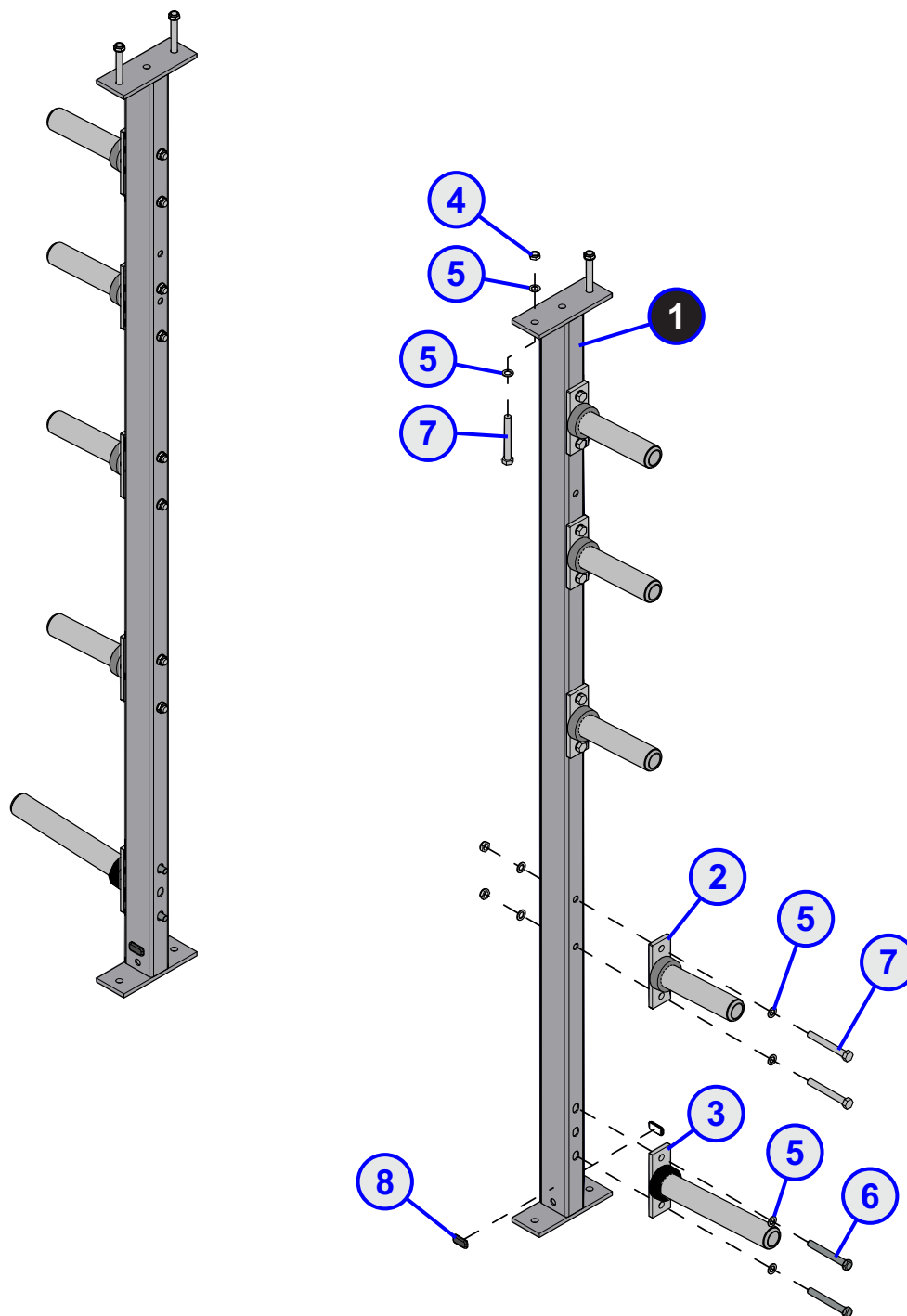


ITEM NO.	QTY.	PART NO.	DESCRIPTION
1	2	1007025-0000	WLDMT: HDLSTOR-90
2	20	1002178-0001	ASSY, WEIGHT HORN
3	4	9187801	ASSY, WEIGHT HORN, 12"
4	2	MM-9	3 X 6 FLANGE RUBBER SLIPPER
5	4	7352301	CAP, END 2 X 3
6	56	H-HPLUG(REG)	9/16 IN. HOLE PLUG
7	24	HHB.5X4.5	1/2 X 4 1/2 BOLT
8	8	HHB.5X4	1/2 X 4 BOLT
9	28	NUT.5JAMLOCK	1/2 THIN LOCK NUT
10	60	WASH.5STAR	1/2" INTERNAL LOCK WASHER

HDLPR  
HDLHR  
HDLMR



ITEM NO.	QTY.	PART NO.	DESCRIPTION
1	1	9117600	ASSY, HDL, BASE GUSSET, SINGLE
2	8	1002178-0001	ASSY, WEIGHT HORN
3	2	9187801	ASSY, WEIGHT HORN, 12"
4	1	1000205-0000	WLDMT, HDL, STORAGE, SA, LT
5	1	1000206-0000	WLDMT, HDL, STORAGE, SA, RT
6	20	NUT.5JAMLOCK	1/2 THIN LOCK NUT
7	6	9097301	NUT, RECT TUBING, 7GA, 3"
8	50	WASH.5STAR	1/2" INTERNAL LOCK WASHER
9	10	3272705	SCREW, 1/4"-20 X 3/4", BHSCS
10	6	3272805	1/2 IN-13 X 1.25 IN UNC HHCS G5 ZN
11	4	3272816	1/2 IN-13 X 4.00 IN UNC HHCS G5 ZN
12	16	HHB.5X4	1/2 X 4 BOLT
13	14	H-HPLUG(REG)	H-PLUG 9-16
14	2	MM-9	3 X 6 FLANGE RUBBER SLIPPER
15	2	9212801	CAP, 3X3 SQ END
16	1	9043402	PLATE, HDE DIAMOND
17	1	9043502	PLATE, HDE DIAMOND
18	1	89265XX	LABEL, ASTM, OLY VERT
19	2	9137600	BRKT, HDE, BASE GUSSET COVER
20	2	9112601	WLDMT, HDE, BAR-CHAIN, SML
21	4	HHB.5X3	1/2 X 3 BOLT
22	1	91411XX	LABEL, WARN, STRAP TRAIN
23	1	7571301	LABEL, SERIAL NUMBER, BLANK
24	2	7570801	GUARD, PAINT 1.25"x.75"x.25"
25	2	9407393	FOOT, HDL - HWG
26	2	H-PLATE-G1	SMALL PLATE GUARD

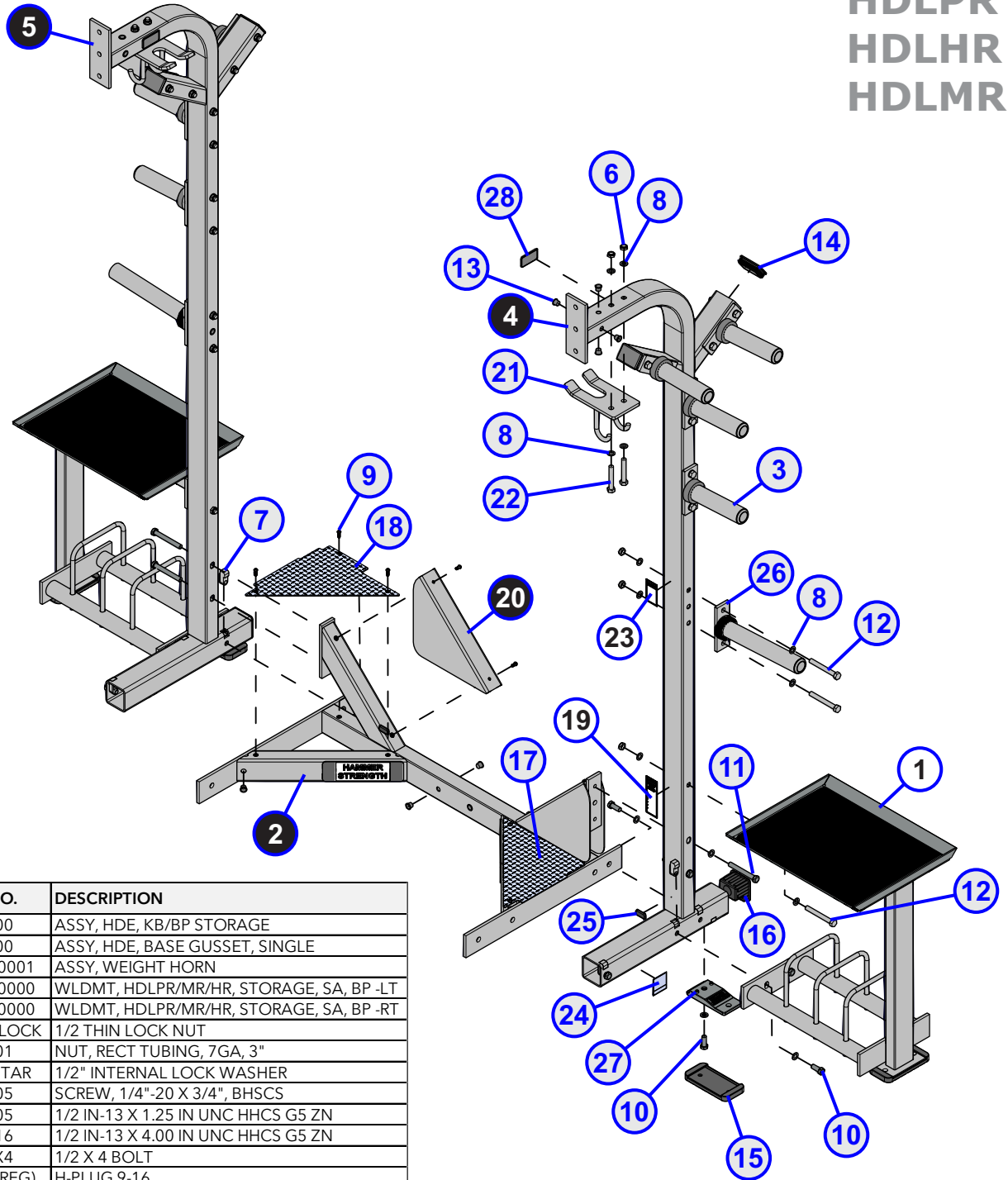


ITEM NO.	QTY.	PART NO.	DESCRIPTION
1	2	9210700	WLDMT, HDE, STORAGE, COMBO
2	8	1002178-0001	ASSY, WEIGHT HORN
3	2	9187801	ASSY, WEIGHT HORN, 12"
4	20	NUT.5JAMLOCK	1/2 THIN LOCK NUT
5	44	WASH.5STAR	1/2" INTERNAL LOCK WASHER
6	4	3272816	1/2 IN-13 X 4.00 IN UNC HHCS G5 ZN
7	20	HHB.5X4	1/2 X 4 BOLT
8	4	7570801	GUARD, PAINT 1.25"x.75"x.25"

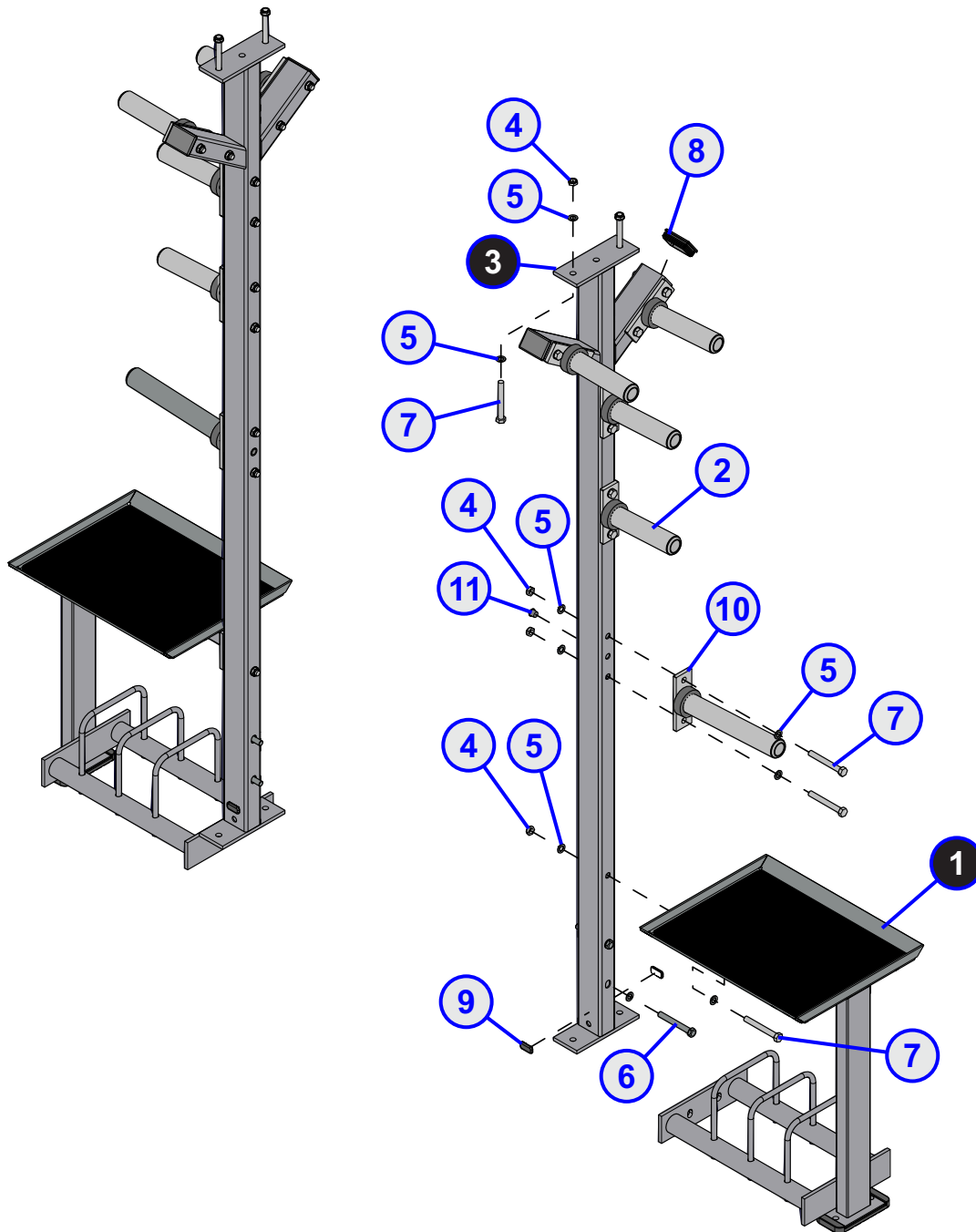
# HD ELITE

PR/MR/HR SA KB/BP

HDLPR  
HDLHR  
HDLMR

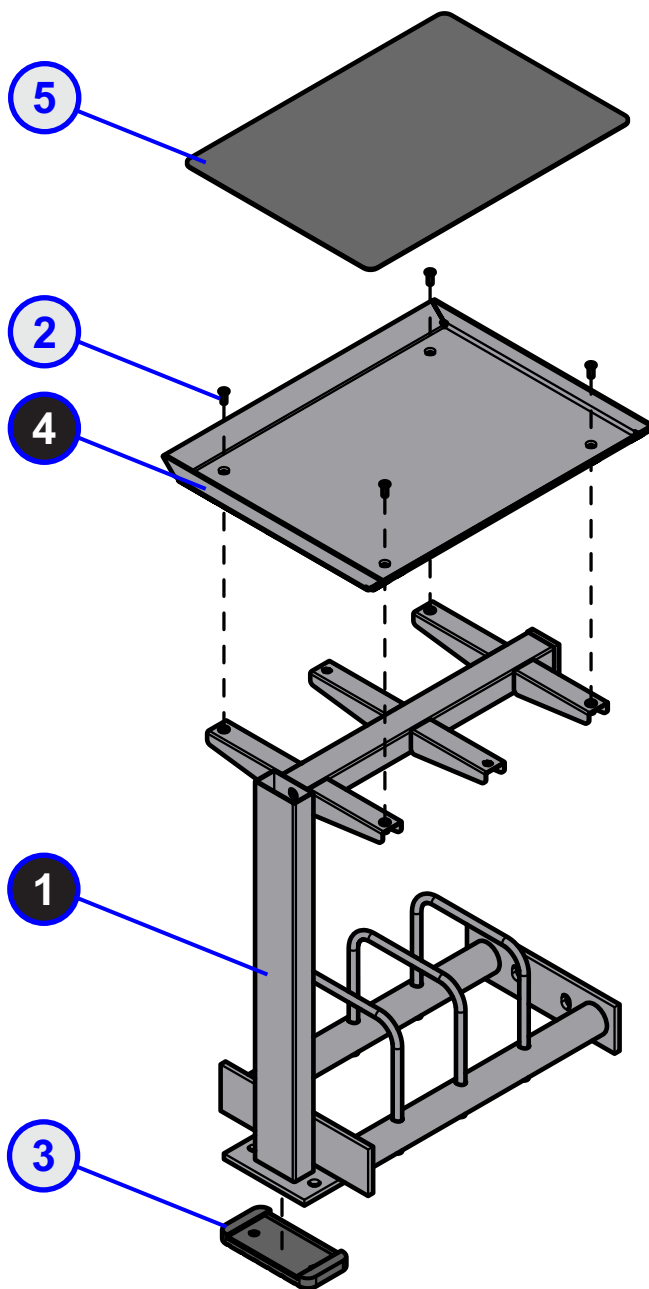


ITEM NO.	QTY.	PART NO.	DESCRIPTION
1	2	9047800	ASSY, HDE, KB/BP STORAGE
2	1	9117600	ASSY, HDE, BASE GUSSET, SINGLE
3	8	1002178-0001	ASSY, WEIGHT HORN
4	1	1000198-0000	WLDMT, HDLPR/MR/HR, STORAGE, SA, BP -LT
5	1	1000204-0000	WLDMT, HDLPR/MR/HR, STORAGE, SA, BP -RT
6	26	NUT.5JAMLOCK	1/2 THIN LOCK NUT
7	10	9097301	NUT, RECT TUBING, 7GA, 3"
8	66	WASH.5STAR	1/2" INTERNAL LOCK WASHER
9	10	3272705	SCREW, 1/4"-20 X 3/4", BHSCS
10	10	3272805	1/2 IN-13 X 1.25 IN UNC HHCS G5 ZN
11	4	3272816	1/2 IN-13 X 4.00 IN UNC HHCS G5 ZN
12	22	HHB.5X4	1/2 X 4 BOLT
13	16	H-HPLUG(REG)	H-PLUG 9-16
14	4	6692601	CAP, END 3 X 2 10-14GA
15	2	MM-9	3 X 6 FLANGE RUBBER SLIPPER
16	2	9212801	CAP, 3X3 SQ END
17	1	9043402	PLATE, HDE DIAMOND
18	1	9043502	PLATE, HDE DIAMOND
19	1	89265XX	LABEL, ASTM, OLY VERT
20	2	9137600	BRKT, HDE, BASE GUSSET COVER
21	2	9112601	WLDMT, HDE, BAR-CHAIN, SML
22	4	HHB.5X3	1/2 X 3 BOLT
23	1	91411XX	LABEL, WARN, STRAP TRAIN
24	1	7571301	LABEL, SERIAL NUMBER, BLANK
25	2	7570801	GUARD, PAINT 1.25"x.75"x.25"
26	2	9187801	ASSY, WEIGHT HORN, 12"
27	2	9407393	FOOT, HDL - HWG
28	2	H-PLATE-G1	SMALL PLATE GUARD

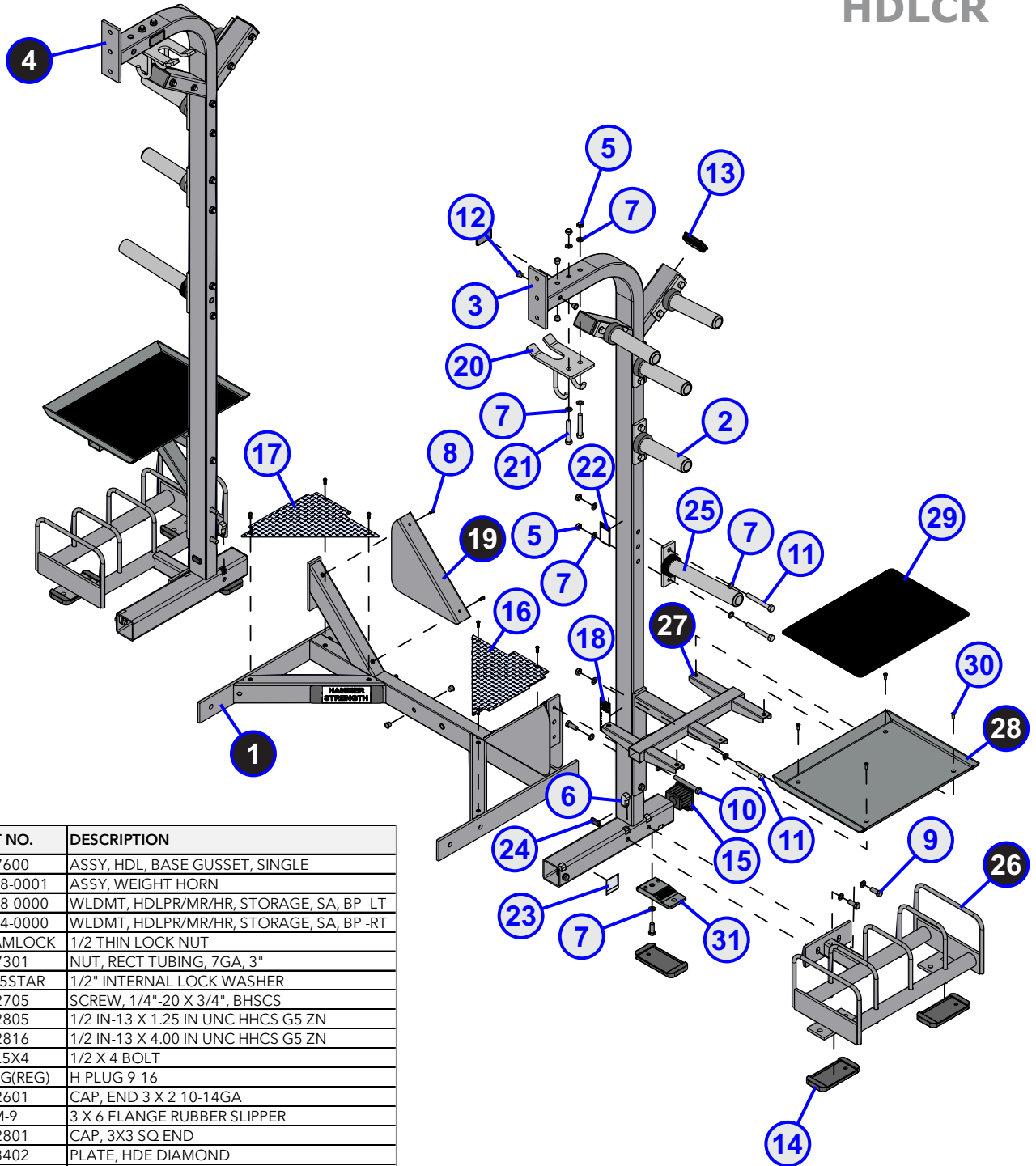


ITEM NO.	QTY.	PART NO.	DESCRIPTION
1	2	9047800	ASSY, HDE, KB/BP STORAGE
2	8	1002178-0001	ASSY, WEIGHT HORN
3	2	9051500	WLDMT, HDE, STORAGE, COMBO, BP
4	26	NUT.5JAMLOCK	1/2 THIN LOCK NUT
5	56	WASH.5STAR	1/2" INTERNAL LOCK WASHER
6	4	3272816	1/2 IN-13 X 4.00 IN UNC HHCS G5 ZN
7	26	HHB.5X4	1/2 X 4 BOLT
8	4	6692601	CAP, END 3 X 2 10-14GA
9	4	7570801	GUARD, PAINT 1.25"x.75"x.25"
10	2	9187801	ASSY, WEIGHT HORN, 12"
11	2	H-HPLUG(REG)	H-PLUG 9-16

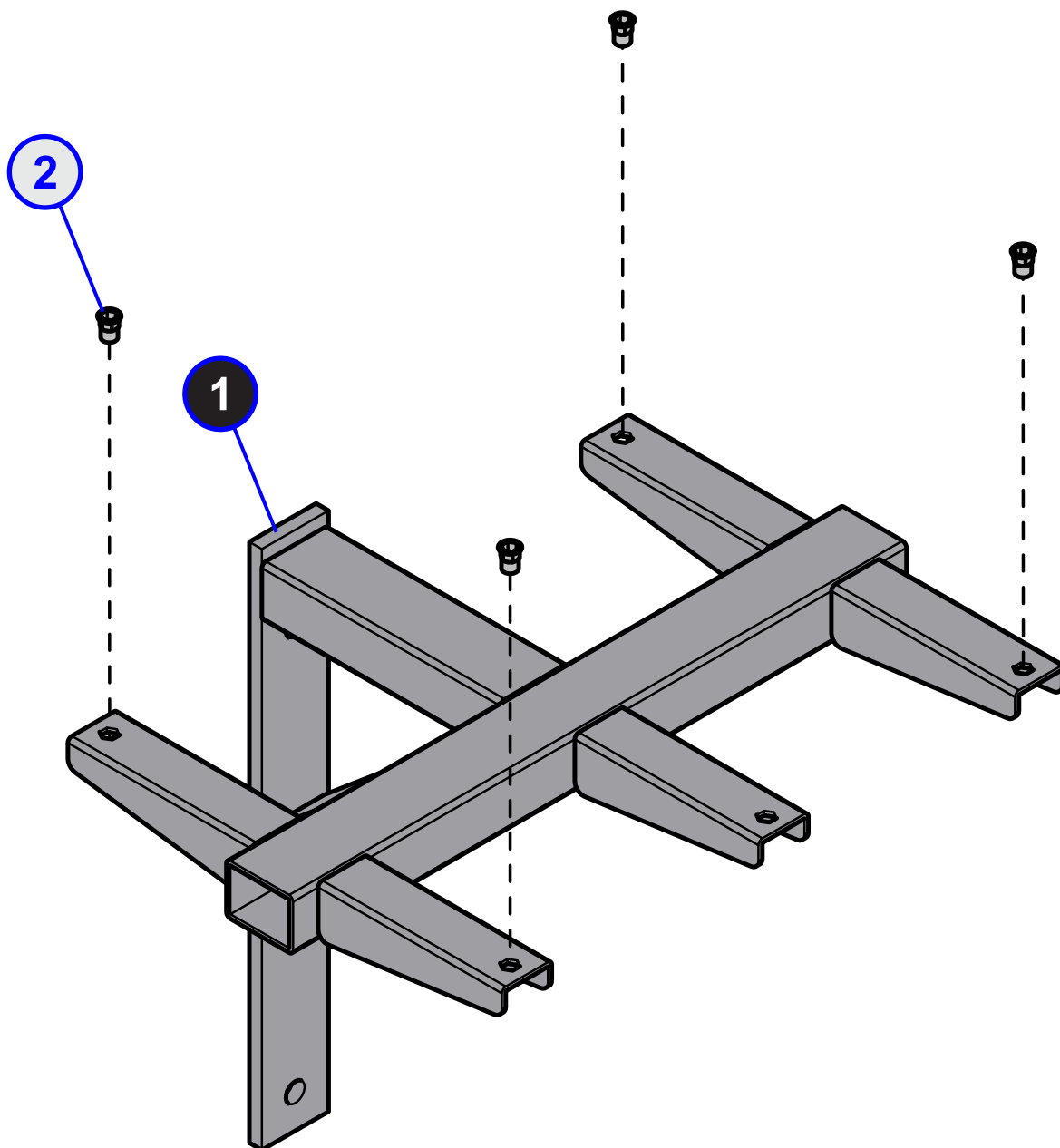




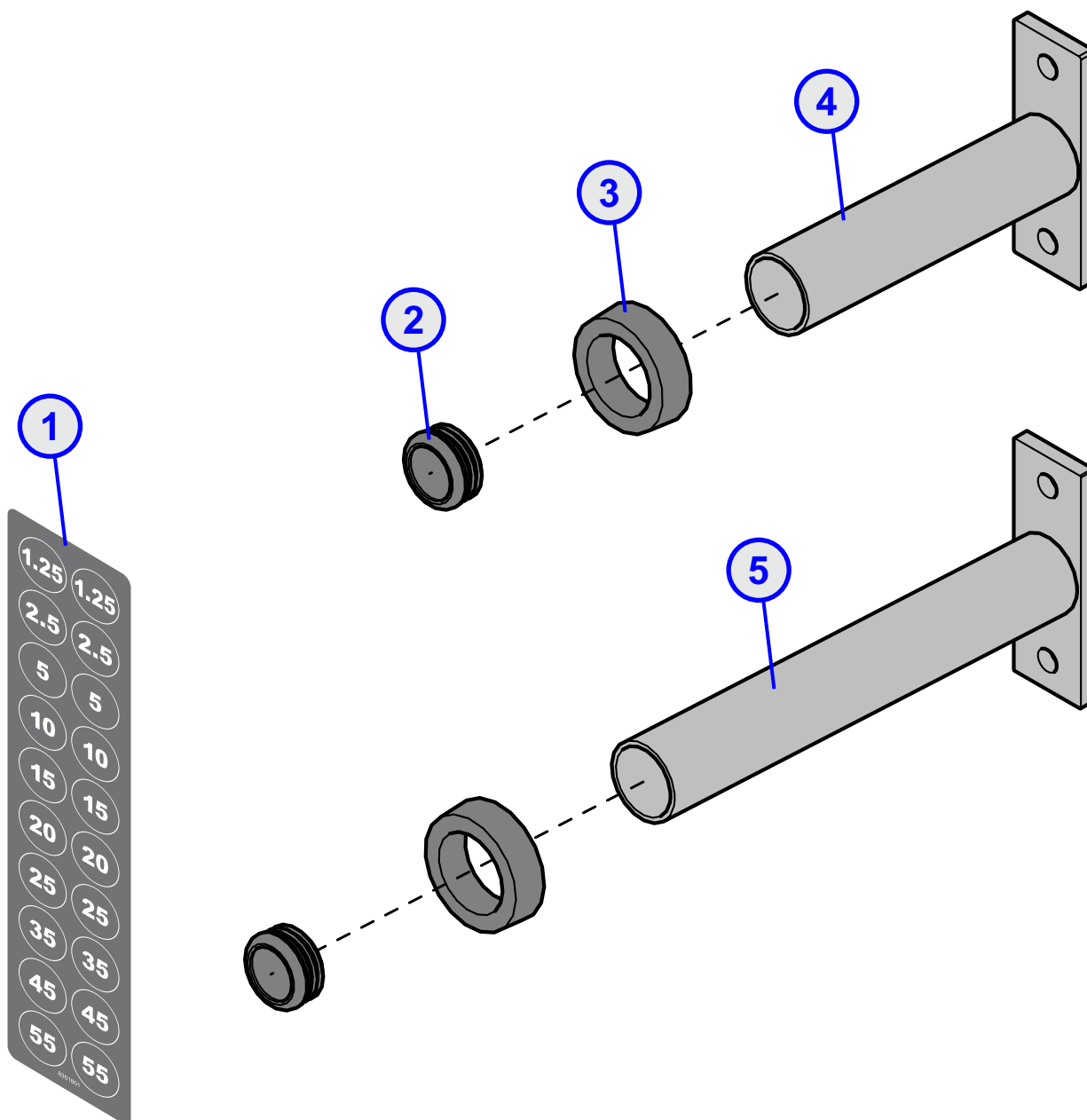
ITEM NO.	QTY.	PART NO.	DESCRIPTION
1	1	9124400	ASSY, HDE, KB/BP STORAGE, SUB 1
2	4	3272204	SCREW, 1/4"-20, FHSCS
3	1	MM-9	3 X 6 FLANGE RUBBER SLIPPER
4	1	9022300	TRAY, HDE, KB/BP STGE
5	1	9022701	RUBBER, HDE, KB/BP TRAY



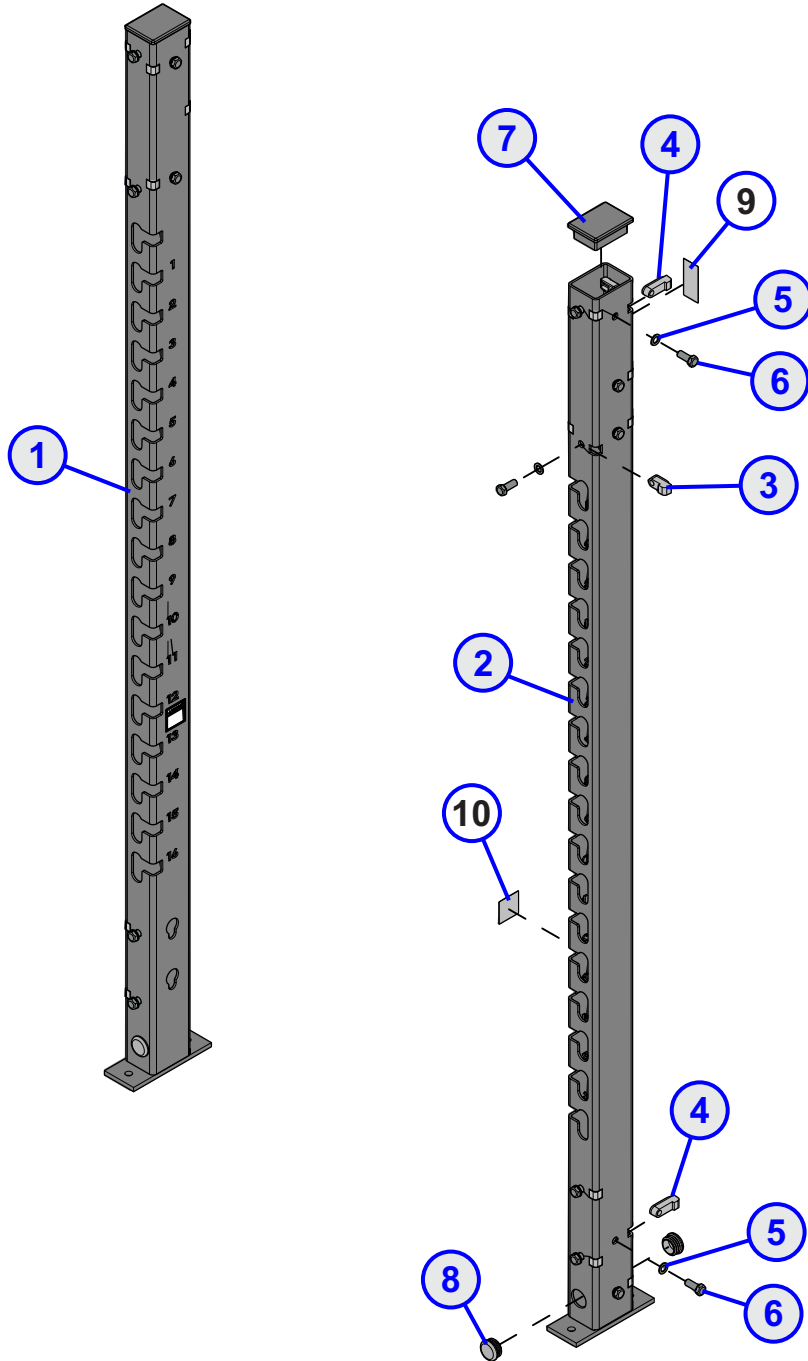
ITEM NO.	QTY.	PART NO.	DESCRIPTION
1	1	9117600	ASSY, HDL, BASE GUSSET, SINGLE
2	8	1002178-0001	ASSY, WEIGHT HORN
3	1	1000198-0000	WLDMT, HDLPR/MR/HR, STORAGE, SA, BP -LT
4	1	1000204-0000	WLDMT, HDLPR/MR/HR, STORAGE, SA, BP -RT
5	26	NUT.5JAMLOCK	1/2 THIN LOCK NUT
6	10	9097301	NUT, RECT TUBING, 7GA, 3"
7	66	WASH.5STAR	1/2" INTERNAL LOCK WASHER
8	10	3272705	SCREW, 1/4"-20 X 3/4", BHSCS
9	10	3272805	1/2 IN-13 X 1.25 IN UNC HHCS G5 ZN
10	4	3272816	1/2 IN-13 X 4.00 IN UNC HHCS G5 ZN
11	22	HHB.5X4	1/2 X 4 BOLT
12	16	H-HPLUG(REG)	H-PLUG 9-16
13	4	6692601	CAP, END 3 X 2 10-14GA
14	6	MM-9	3 X 6 FLANGE RUBBER SLIPPER
15	2	9212801	CAP, 3X3 SQ END
16	1	9043402	PLATE, HDE DIAMOND
17	1	9043502	PLATE, HDE DIAMOND
18	1	89265XX	LABEL, ASTM, OLY VERT
19	2	9137600	BRKT, HDE, BASE GUSSET COVER
20	2	9112601	WLDMT, HDE, BAR-CHAIN, SML
21	4	HHB.5X3	1/2 X 3 BOLT
22	1	91411XX	LABEL, WARN, STRAP TRAIN
23	1	7571301	LABEL, SERIAL NUMBER, BLANK
24	2	7570801	GUARD, PAINT 1.25"x.75"x.25"
25	2	9187801	ASSY, WEIGHT HORN, 12"
26	2	9300600	WLDMT, HDL BP STORAGE SHORT
27	2	9309201	ASSY, KB/BP TRAY, PARALLEL
28	2	9022300	TRAY, HDE, KB/BP STORAGE
29	2	9022701	RUBBER, HDE, KB/BP TRAY
30	8	3272204	SCREW, 1/4"-20, FHSCS
31	2	9407393	FOOT, HDL - HWG
32	2	H-PLATE-G1	SMALL PLATE GUARD



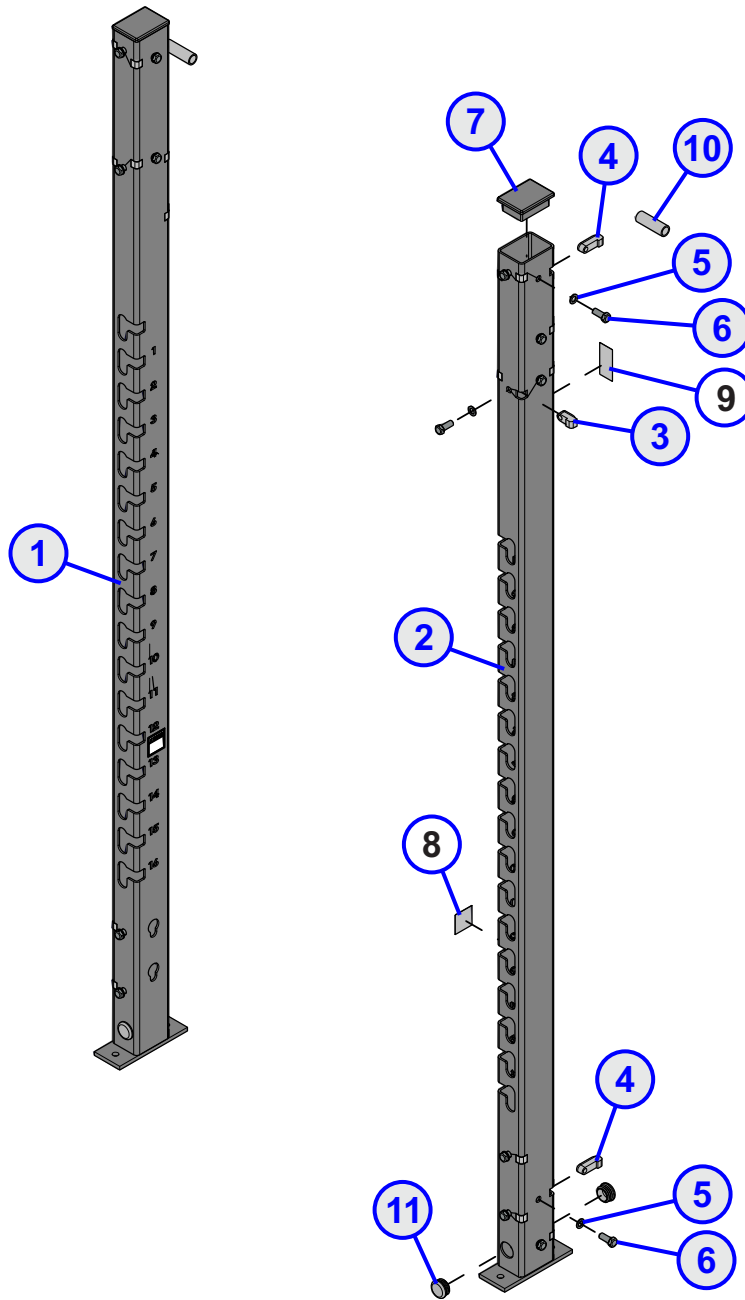
ITEM NO.	QTY.	PART NO.	DESCRIPTION
1	1	9309201	ASSY, KB/BP TRAY, PARALLEL
2	4	3229901	NUT, AVK 1/4-20 HEX



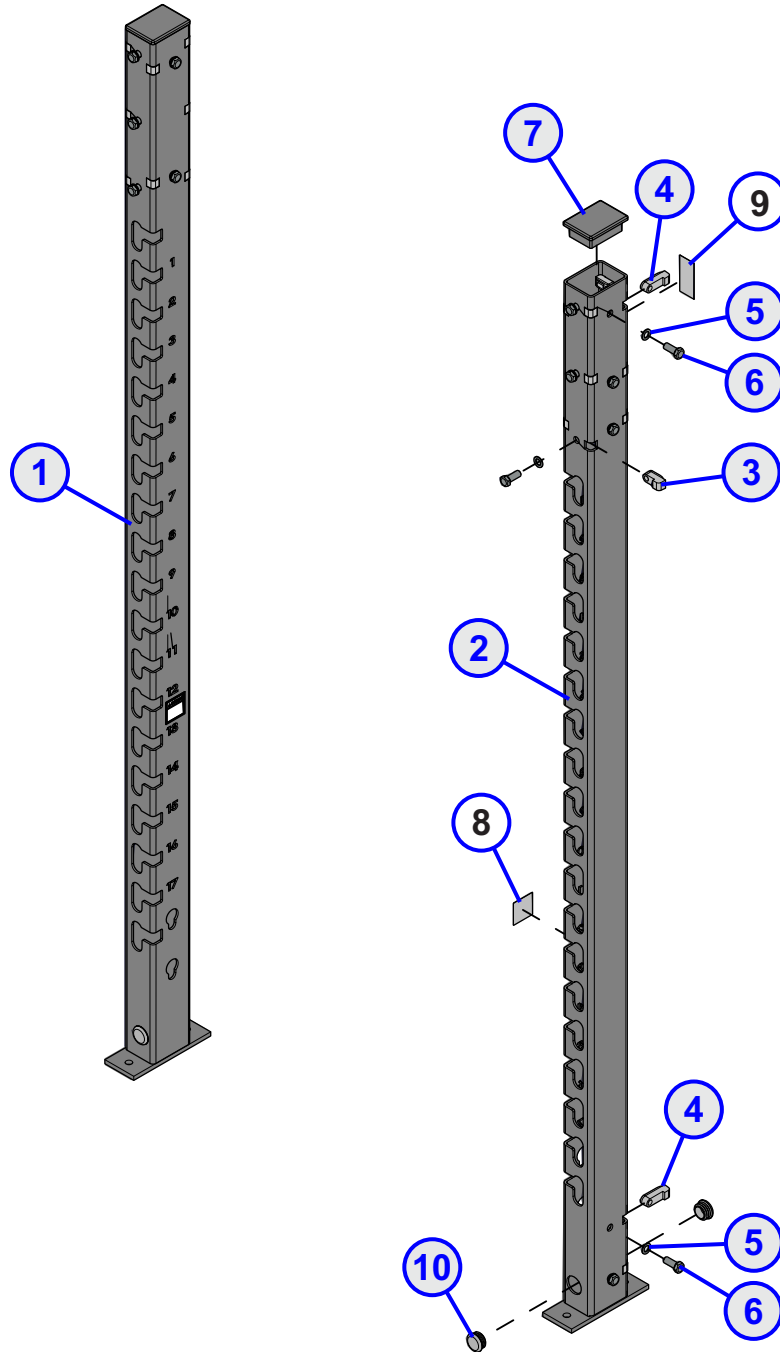
ITEM NO.	QTY.	PART NO.	DESCRIPTION
1	1	8351801	LABEL, WEIGHT HORN, SHEET
2	1	8078001	CAP, END, 1.75OD, W/EMBOSS, 10-0125-011, BNR
3	1	7671601	BUMPER, WEIGHT HORN/ROD
4	1	1002178-0001	ASSY, WEIGHT HORN
5	1	9187801	ASSY, WEIGHT HORN, 12"



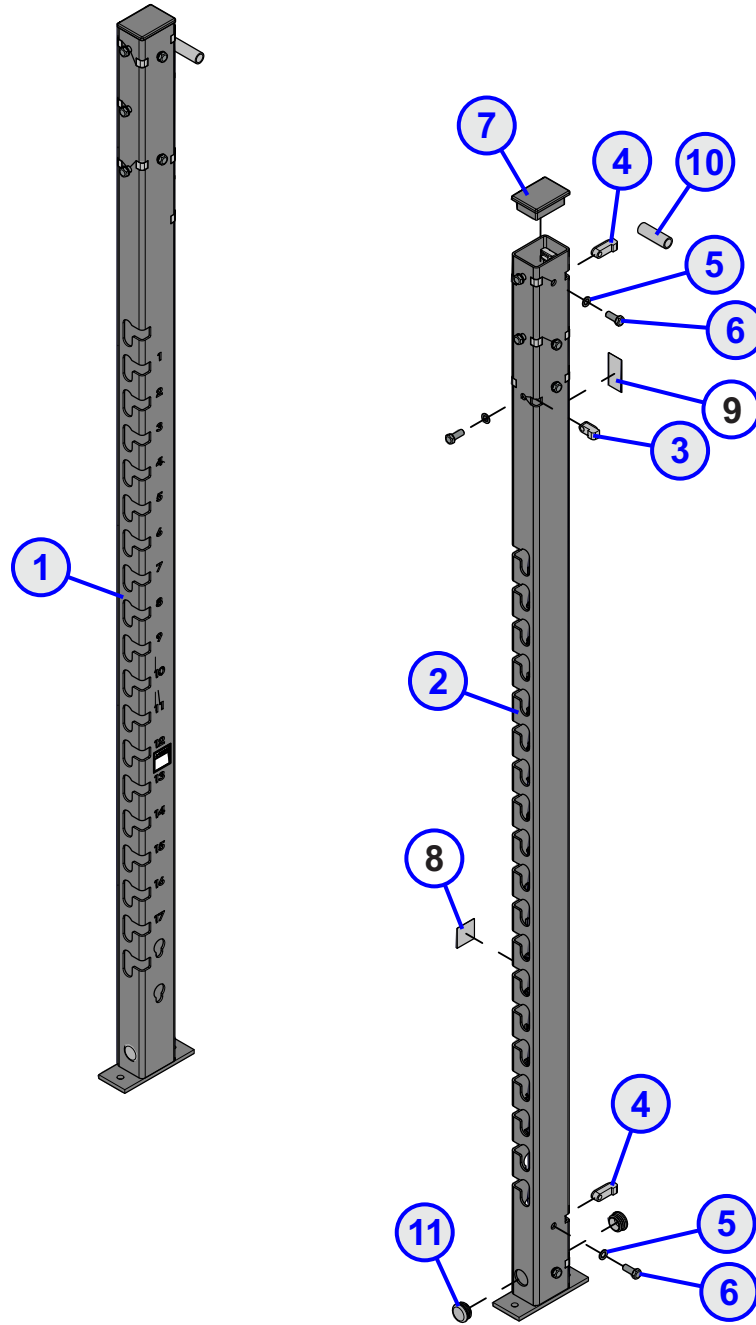
ITEM NO.	QTY.	PART NO.	DESCRIPTION
1	1	9208793	WLDMT, HDEM/HR, UPRIGHT, 8FT
2	1	9208893	WLDMT, HDEM/HR, UPRIGHT, 8FT
3	12	9097301	NUT, RECT TUBING, 7GA, 3"
4	14	9097302	NUT, RECT TUBING, 7GA, 4"
5	26	WASH.5STAR	1/2" INTERNAL LOCK WASHER
6	26	3272805	1/2 IN-13 X 1.25 IN UNC HHCS G5 ZN
7	2	9043101	CAP, END 3 X 4
8	4	3119307	CAP, END ROUND
9	2	91332XX	LABEL, ASSEMBLY WARNING, VERT
10	2	91314XX	LABEL, HDE, SQUAT



ITEM NO.	QTY.	PART NO.	DESCRIPTION
1	1	9209093	WLDMT, HDEMHR/HR, UPRIGHT, 9FT
2	1	9209193	WLDMT, HDEMHR/HR, UPRIGHT, 9FT
3	12	9097301	NUT, RECT TUBING, 7GA, 3"
4	14	9097302	NUT, RECT TUBING, 7GA, 4"
5	26	WASH.5STAR	1/2" INTERNAL LOCK WASHER
6	26	3272805	1/2 IN-13 X 1.25 IN UNC HHCS G5 ZN
7	2	9043101	CAP, END 3 X 4
8	2	91314XX	LABEL, HDE, SQUAT
9	2	91332XX	LABEL, ASSEMBLY WARNING, VERT
10	2	9124100	TUBE, HDEHR/MR, SPACER, 9' RACK
11	4	3119307	CAP, END ROUND

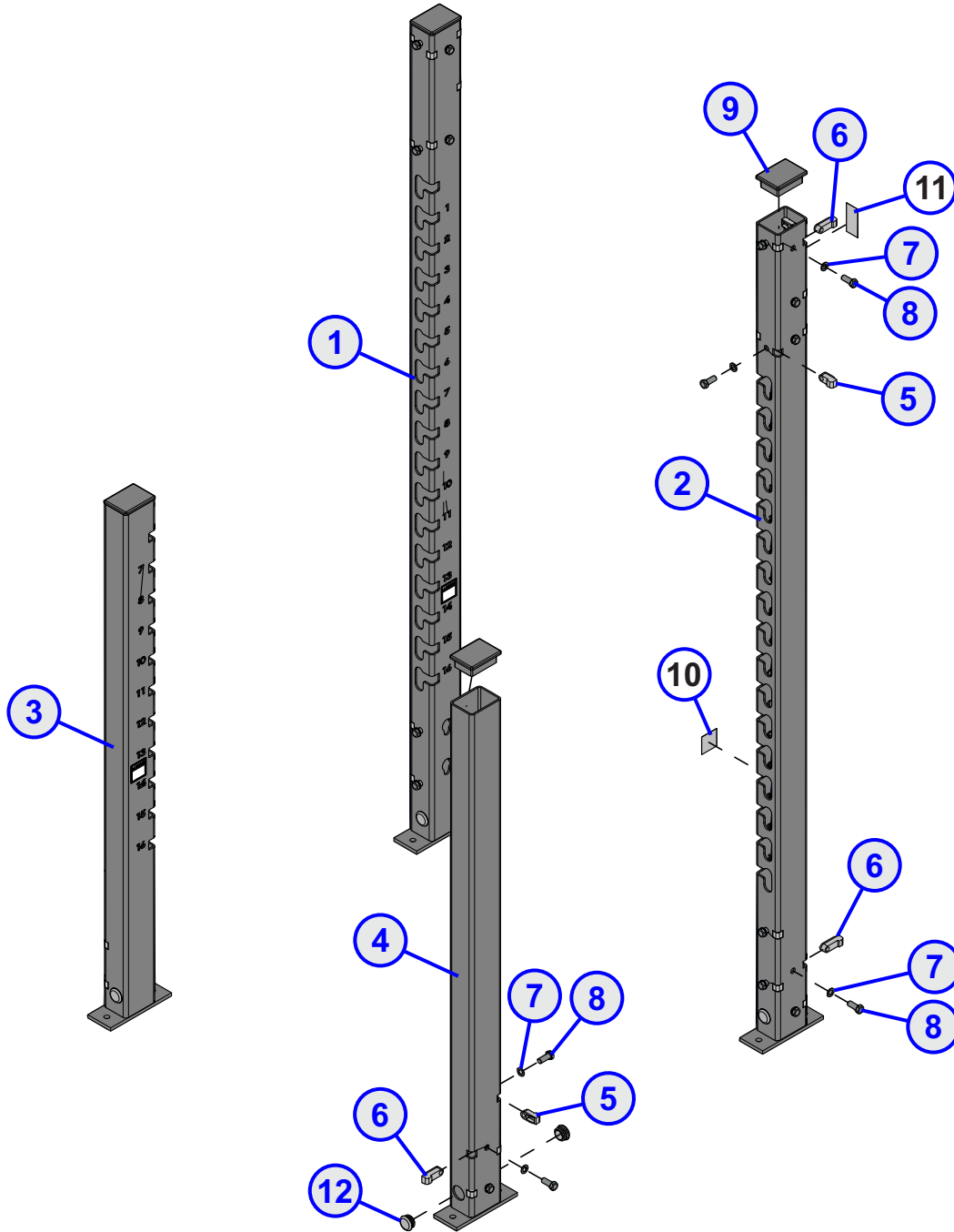


ITEM NO.	QTY.	PART NO.	DESCRIPTION
1	1	9207693	WLDMT, HDEPR/HRS, UPRIGHT, 8FT
2	1	9207793	WLDMT, HDEPR/HRS, UPRIGHT, 8FT
3	12	9097301	NUT, RECT TUBING, 7GA, 3"
4	14	9097302	NUT, RECT TUBING, 7GA, 4"
5	26	WASH.5STAR	1/2" INTERNAL LOCK WASHER
6	26	3272805	1/2 IN-13 X 1.25 IN UNC HHCS G5 ZN
7	2	9043101	CAP, END 3 X 4
8	2	91314XX	LABEL, HDE, SQUAT
9	2	91332XX	LABEL, ASSEMBLY WARNING, VERT
10	4	3119305	CAP, END 2.00 DIA RD 10-14 GA

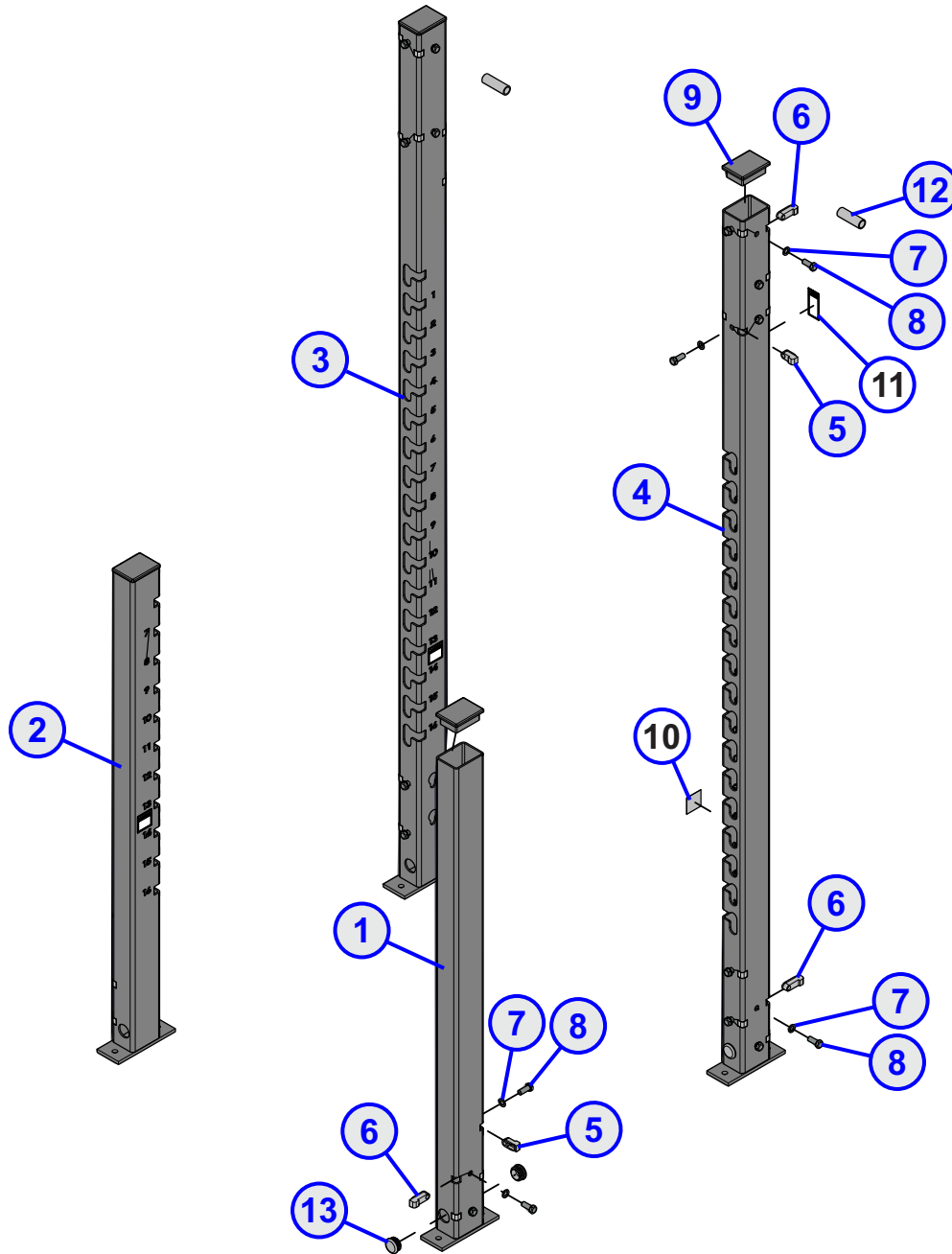


ITEM NO.	QTY.	PART NO.	DESCRIPTION
1	1	9208093	WLDMT, HDEPR/HRS, UPRIGHT, 9FT
2	1	9208193	WLDMT, HDEPR/HRS, UPRIGHT, 9FT
3	12	9097301	NUT, RECT TUBING, 7GA, 3"
4	14	9097302	NUT, RECT TUBING, 7GA, 4"
5	26	WASH.5STAR	1/2" INTERNAL LOCK WASHER
6	26	3272805	1/2 IN-13 X 1.25 IN UNC HHCS G5 ZN
7	2	9043101	CAP, END 3 X 4
8	2	91314XX	LABEL, HDE, SQUAT
9	2	91332XX	LABEL, ASSEMBLY WARNING, VERT
10	2	9124100	TUBE, HDEHR/MR, SPACER, 9' RACK
11	4	3119307	CAP, END ROUND

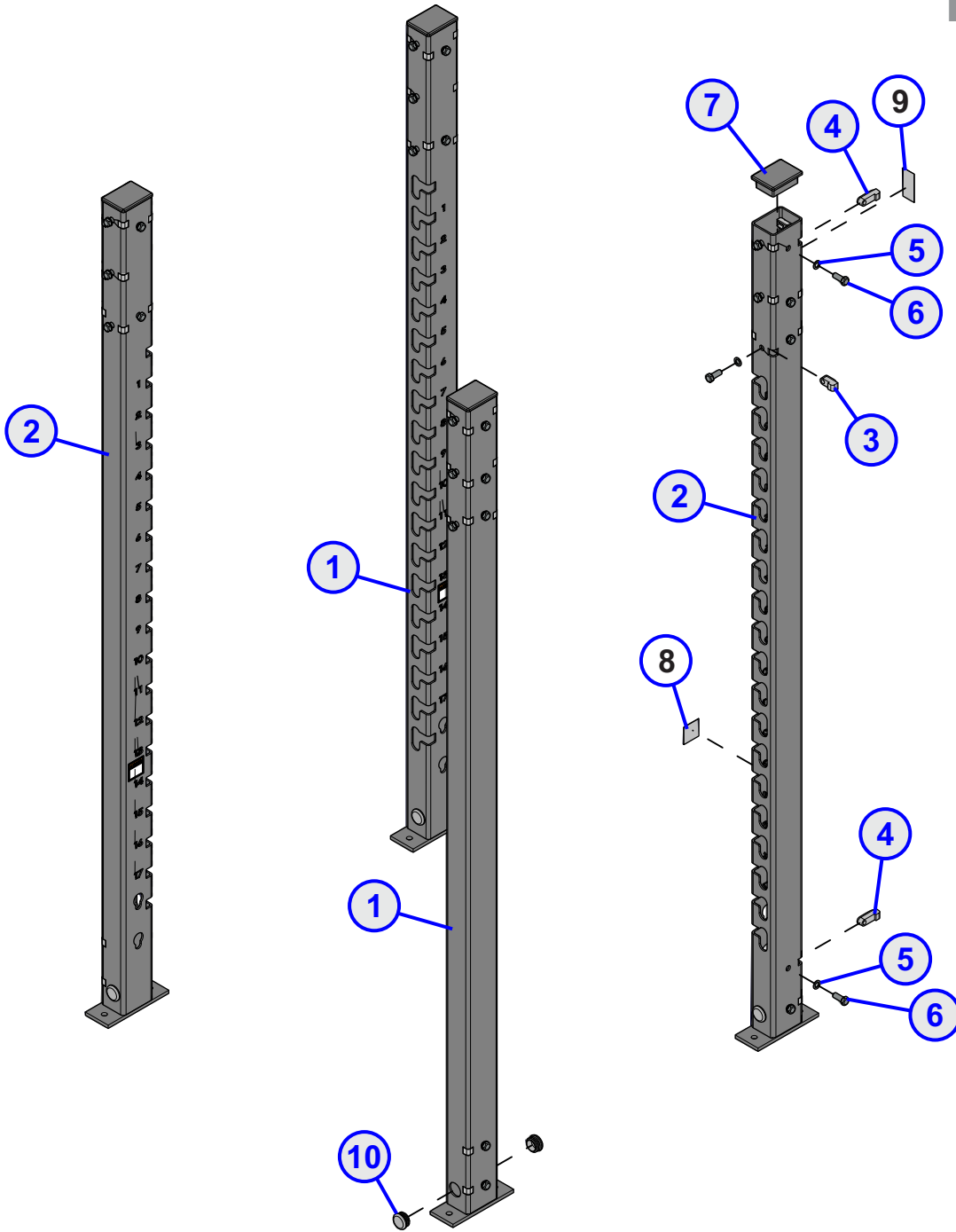




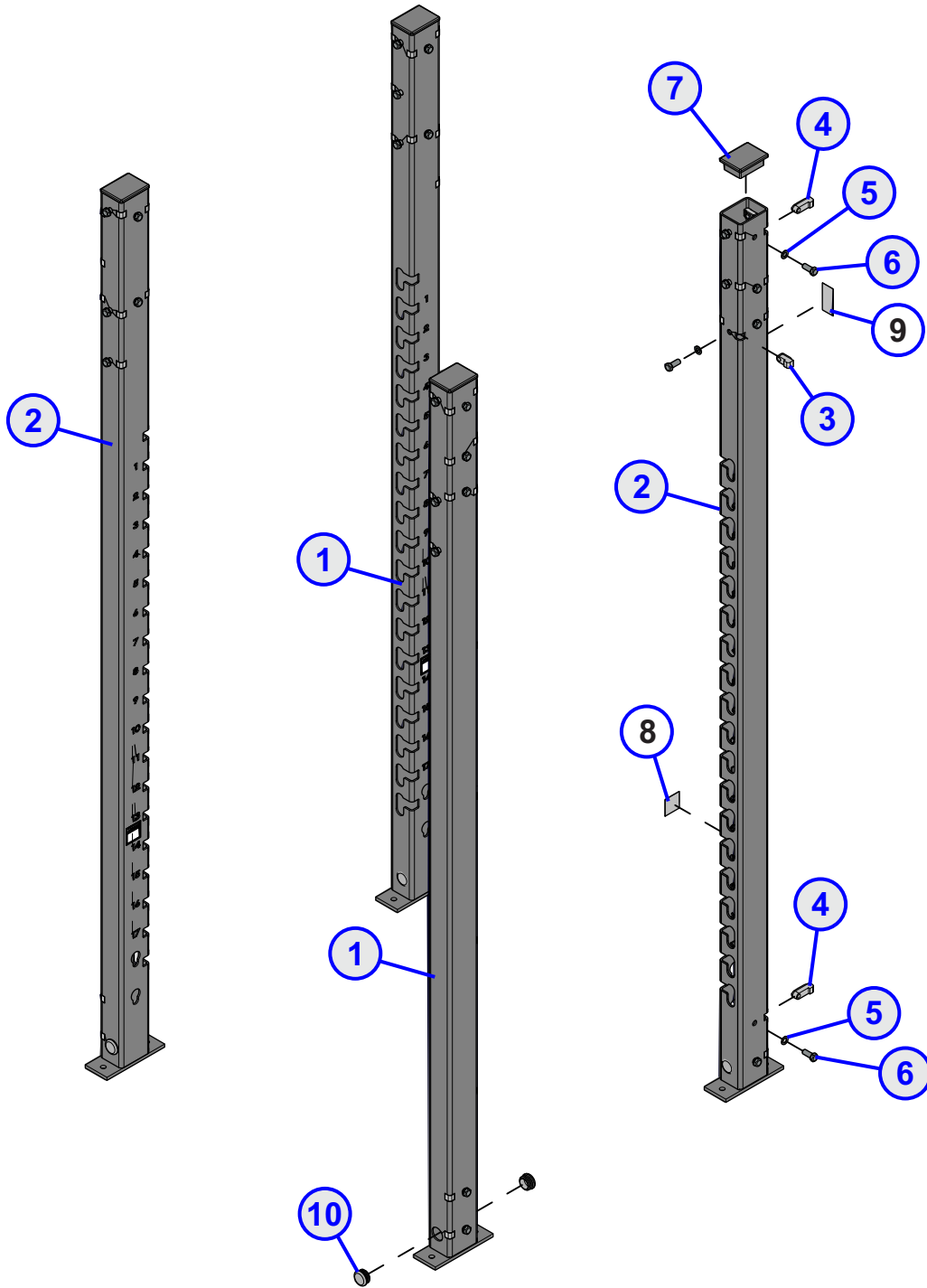
ITEM NO.	QTY.	PART NO.	DESCRIPTION
1	1	9208793	WLDMT, HDEMHR/HR, UPRIGHT, 8FT
2	1	9208893	WLDMT, HDEMHR/HR, UPRIGHT, 8FT
3	1	9208693	WLDMT, HDEMHR, UPRIGHT, FNT, RT
4	1	9208593	WLDMT, HDEMHR, UPRIGHT, FNT, LT
5	16	9097301	NUT, RECT TUBING, 7GA, 3"
6	18	9097302	NUT, RECT TUBING, 7GA, 4"
7	34	WASH.5STAR	1/2" INTERNAL LOCK WASHER
8	34	3272805	1/2 IN-13 X 1.25 IN UNC HHCS G5 ZN
9	4	9043101	CAP, END 3 X 4
10	4	91314XX	LABEL, HDE, SQUAT
11	2	91332XX	LABEL, ASSEMBLY WARNING, VERT
12	8	3119305	CAP, END 2.00 DIA RD 10-14 GA



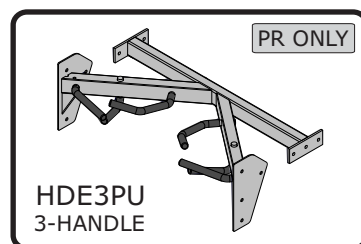
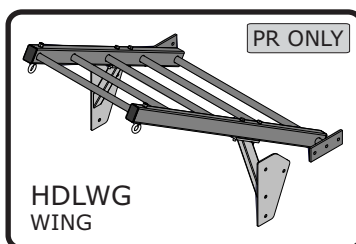
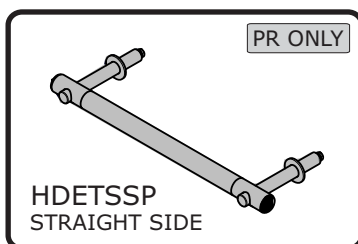
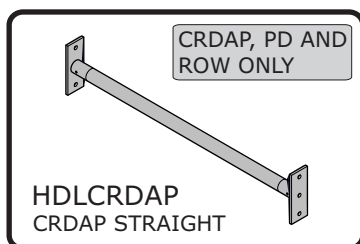
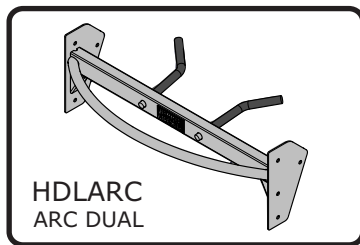
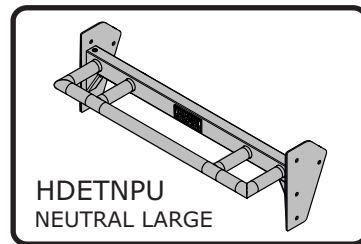
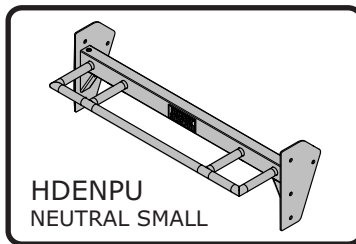
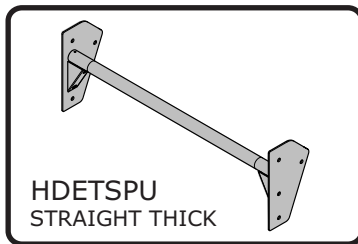
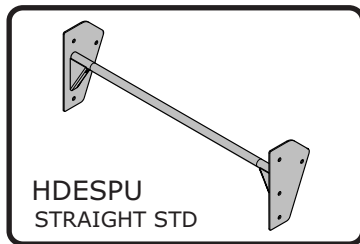
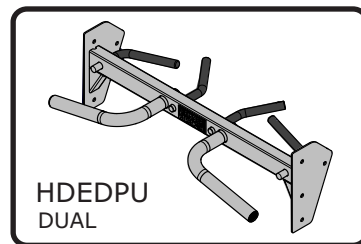
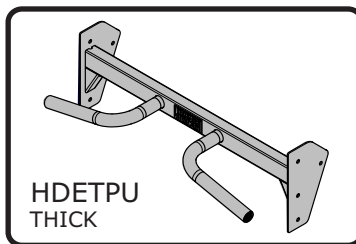
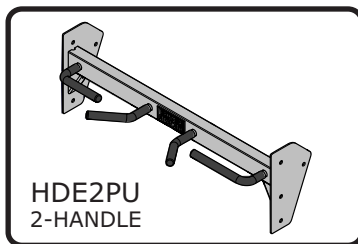
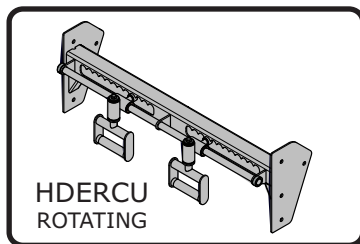
ITEM NO.	QTY.	PART NO.	DESCRIPTION
1	1	9208593	WLDMT, HDEM, UPRIGHT, FNT, LT
2	1	9208693	WLDMT, HDEM, UPRIGHT, FNT, RT
3	1	9209093	WLDMT, HDEM/HR, UPRIGHT, 9FT
4	1	9209193	WLDMT, HDEM/HR, UPRIGHT, 9FT
5	16	9097301	NUT, RECT TUBING, 7GA, 3"
6	18	9097302	NUT, RECT TUBING, 7GA, 4"
7	34	WASH.5STAR	1/2" INTERNAL LOCK WASHER
8	34	3272805	1/2 IN-13 X 1.25 IN UNC HHCS G5 ZN
9	4	9043101	CAP, END 3 X 4
10	4	91314XX	LABEL, HDE, SQUAT
11	2	91332XX	LABEL, ASSEMBLY WARNING, VERT
12	2	9124100	TUBE, HDEHR/MR, SPACER, 9' RACK
13	4	3119307	CAP, END ROUND



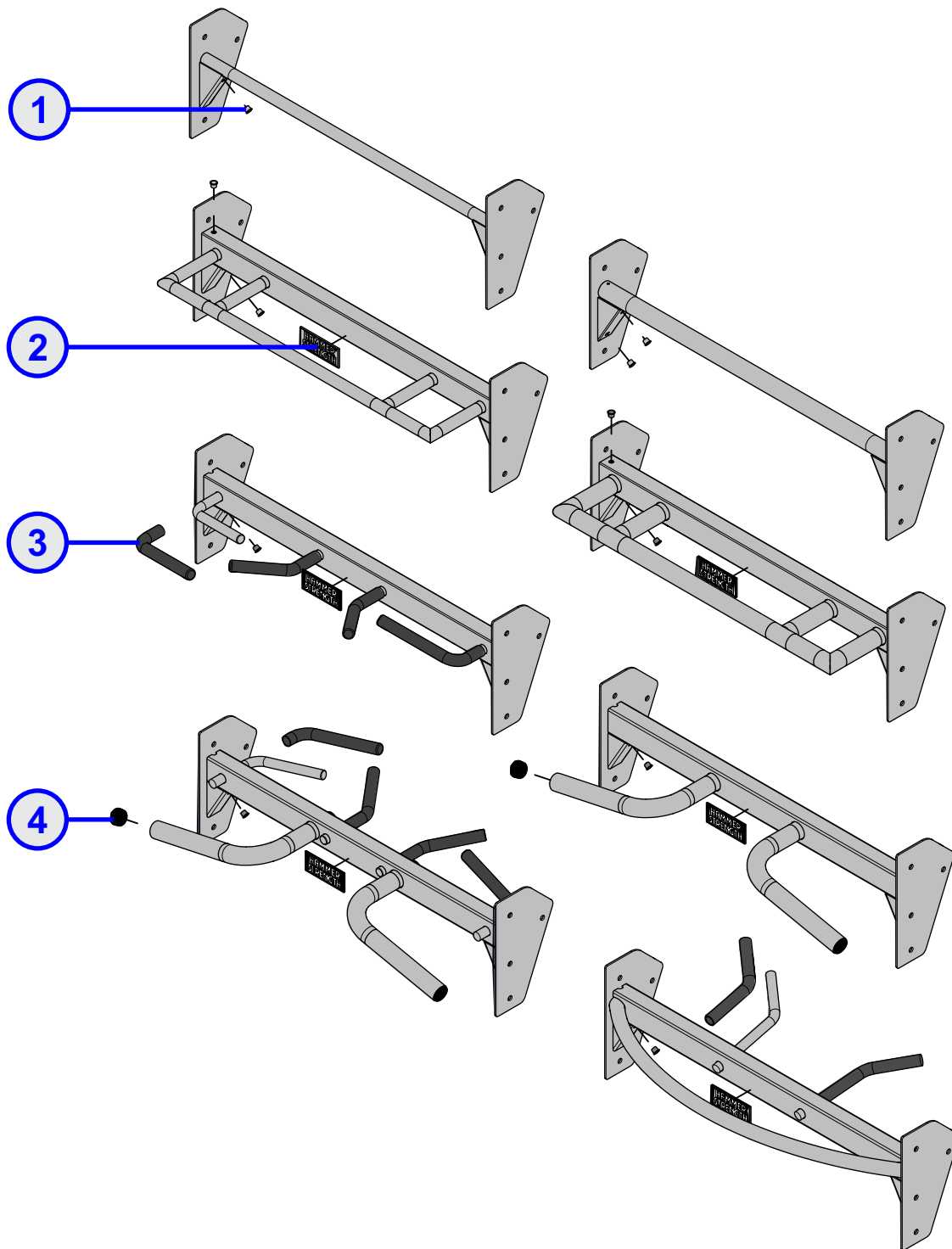
ITEM NO.	QTY.	PART NO.	DESCRIPTION
1	2	9207693	WLDMT, HDEPR/HRS, UPRIGHT, 8FT
2	2	9207793	WLDMT, HDEPR/HRS, UPRIGHT, 8FT
3	24	9097301	NUT, RECT TUBING, 7GA, 3"
4	28	9097302	NUT, RECT TUBING, 7GA, 4"
5	52	WASH.5STAR	1/2" INTERNAL LOCK WASHER
6	52	3272805	1/2 IN-13 X 1.25 IN UNC HHCS G5 ZN
7	4	9043101	CAP, END 3 X 4
8	4	91314XX	LABEL, HDE, SQUAT
9	2	91332XX	LABEL, ASSEMBLY WARNING, VERT
10	8	3119307	CAP, END ROUND



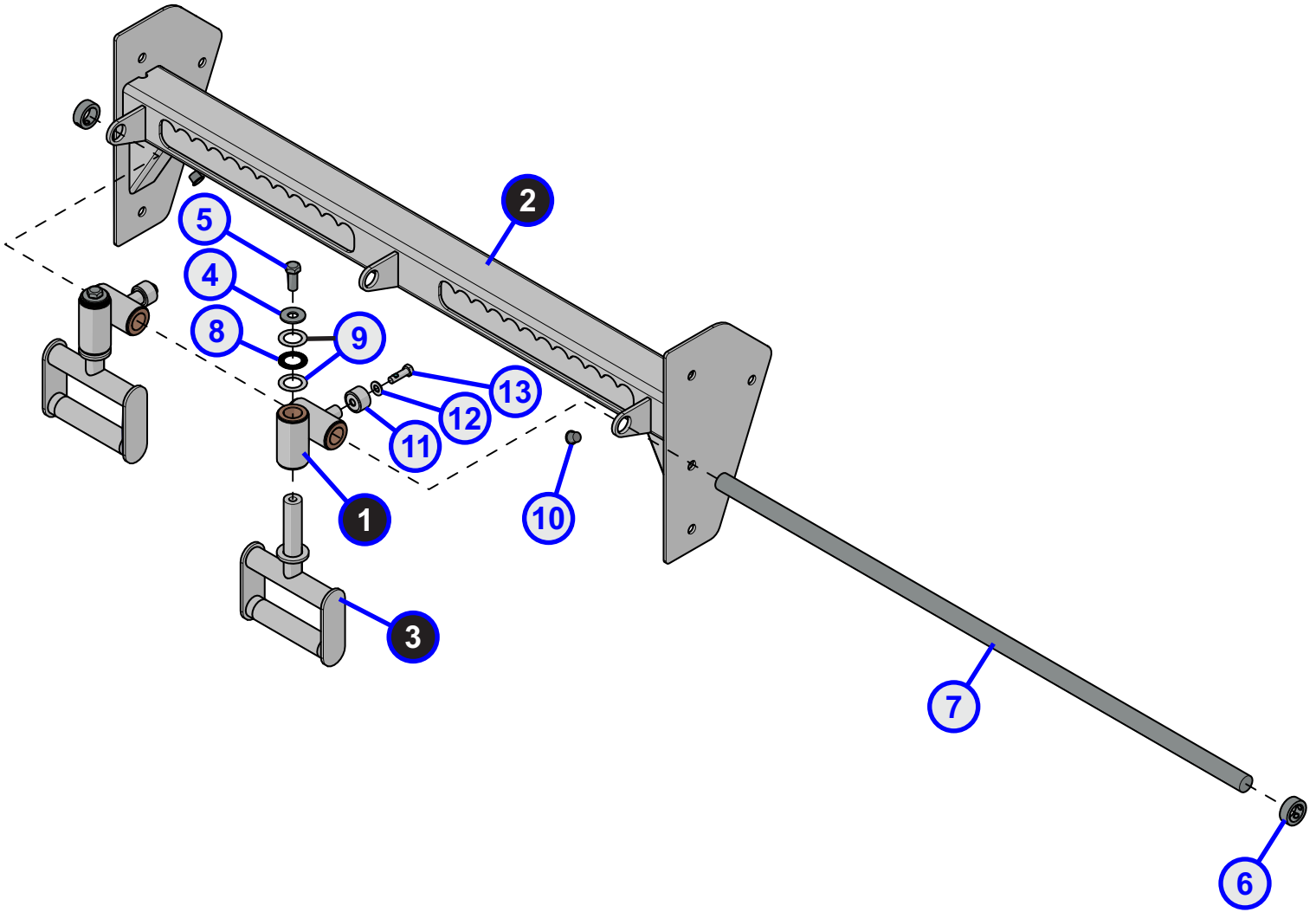
ITEM NO.	QTY.	PART NO.	DESCRIPTION
1	2	9208093	WLDMT, HDEPR/HRS, UPRIGHT, 9FT
2	2	9208193	WLDMT, HDEPR/HRS, UPRIGHT, 9FT
3	24	9097301	NUT, RECT TUBING, 7GA, 3"
4	28	9097302	NUT, RECT TUBING, 7GA, 4"
5	52	WASH.5STAR	1/2" INTERNAL LOCK WASHER
6	52	3272805	1/2 IN-13 X 1.25 IN UNC HHCS G5 ZN
7	4	9043101	CAP, END 3 X 4
8	4	91314XX	LABEL, HDE, SQUAT
9	2	91332XX	LABEL, ASSEMBLY WARNING, VERT
10	8	3119307	CAP, END ROUND



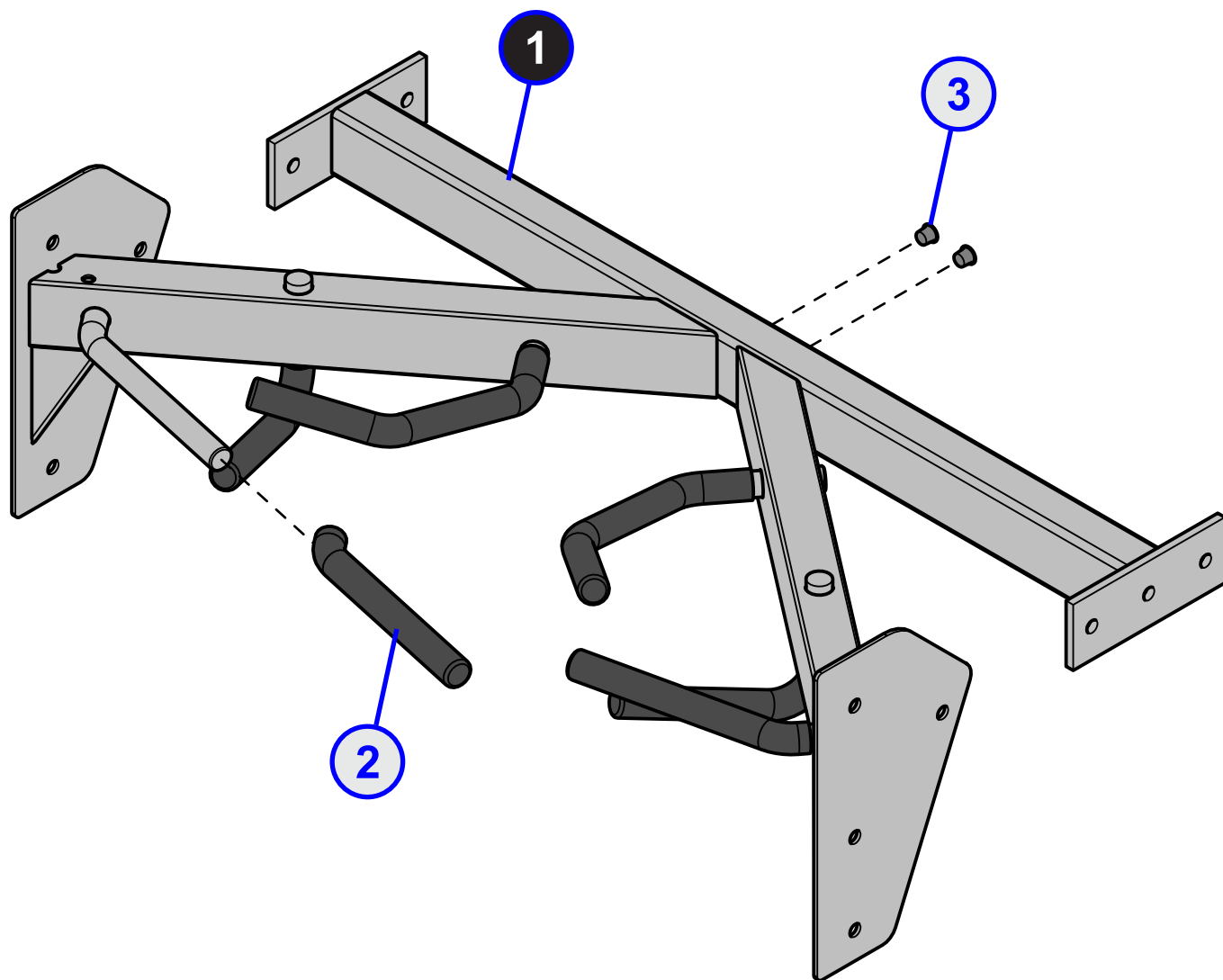
**CONTACT LF SALES FOR PULL-UP BARS**



ITEM NO.	PART NO.	DESCRIPTION
1	H-HPLUG(REG)	9/16IN HOLE PLUG
2	H-NAMEPLATE	HAMMER NAME PLATE
3	H-GRIP	HAMMER GRIP
4	H-LOCK-PLUG (LARGE)	PLUG, HAMMER WEIGHT HORN

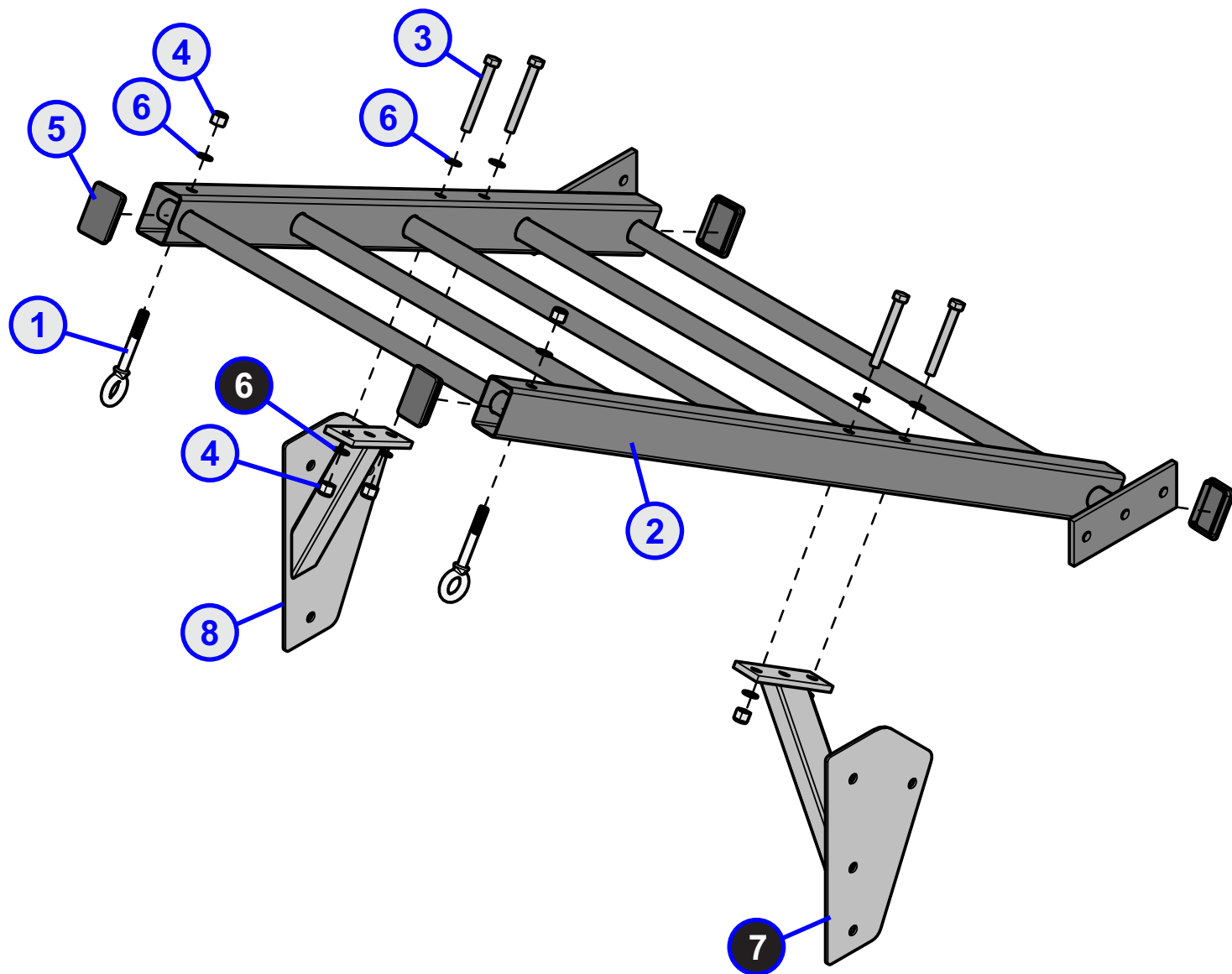


ITEM NO.	QTY.	PART NO.	DESCRIPTION
1	2	8860300	ASSY, ADJ PULL-UP SLIDE
2	1	9213900	WLDMT, PULL-UP, ADJUSTABLE
3	2	9187400	WLDMT, ADJ PULL-UP, HANDLE
4	2	3246501	WASHER, FENDER 1/2" ID X 1.5" OD SS
5	2	3272805	1/2 IN-13 X 1.25 IN UNC HHCS G5 ZN
6	2	7435301	COLLAR, MTS, SHAFT, 1.020" ID
7	1	9050301	GUIDE ROD, PULL-UP, STRAIGHT, ADJUSTABLE ROTATING
8	2	9117301	BEARING, THRUST NEEDLE-ROLLER, 1 IN. ID
9	4	9117401	WASHER, THRUST NEEDLE ROLLER, 1IN, ID
10	2	H-HPLUG(REG)	H-PLUG 9-16
11	2	3248401	CAM FOLLOWER TORRINGTON YCR-20
12	2	3102514	WASHER, FLAT 3/8" SAE ST ZN
13	2	3251302	3/8-16 X 1.25 HEX HEAD BOLT

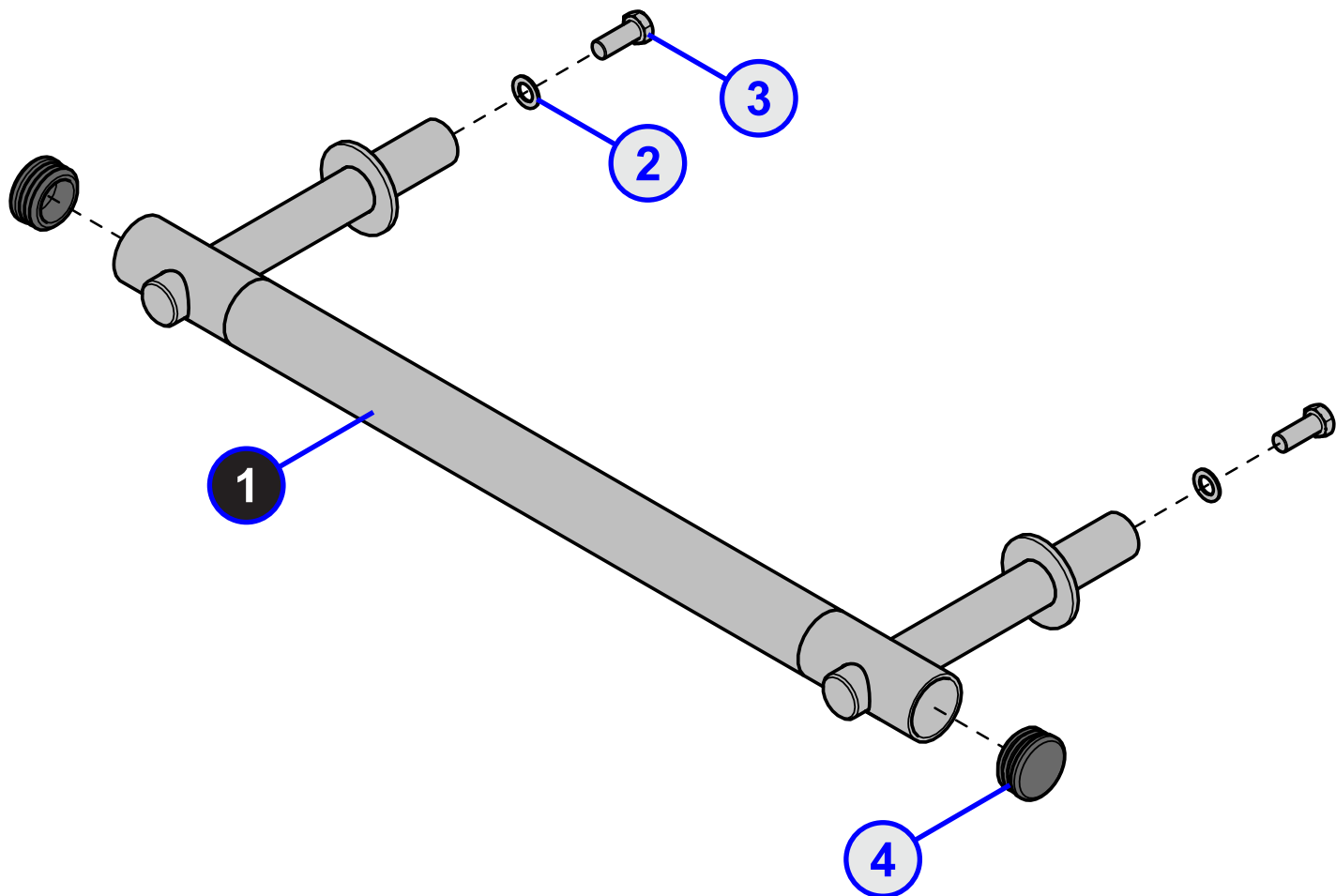


ITEM NO.	QTY.	PART NO.	DESCRIPTION
1	1	9101501	ASSY, HDEPR, PULL-UP, K-BAR, 1IN
2	6	H-GRIP	HAMMER GRIP
3	2	H-HPLUG(REG)	H-PLUG 9-16

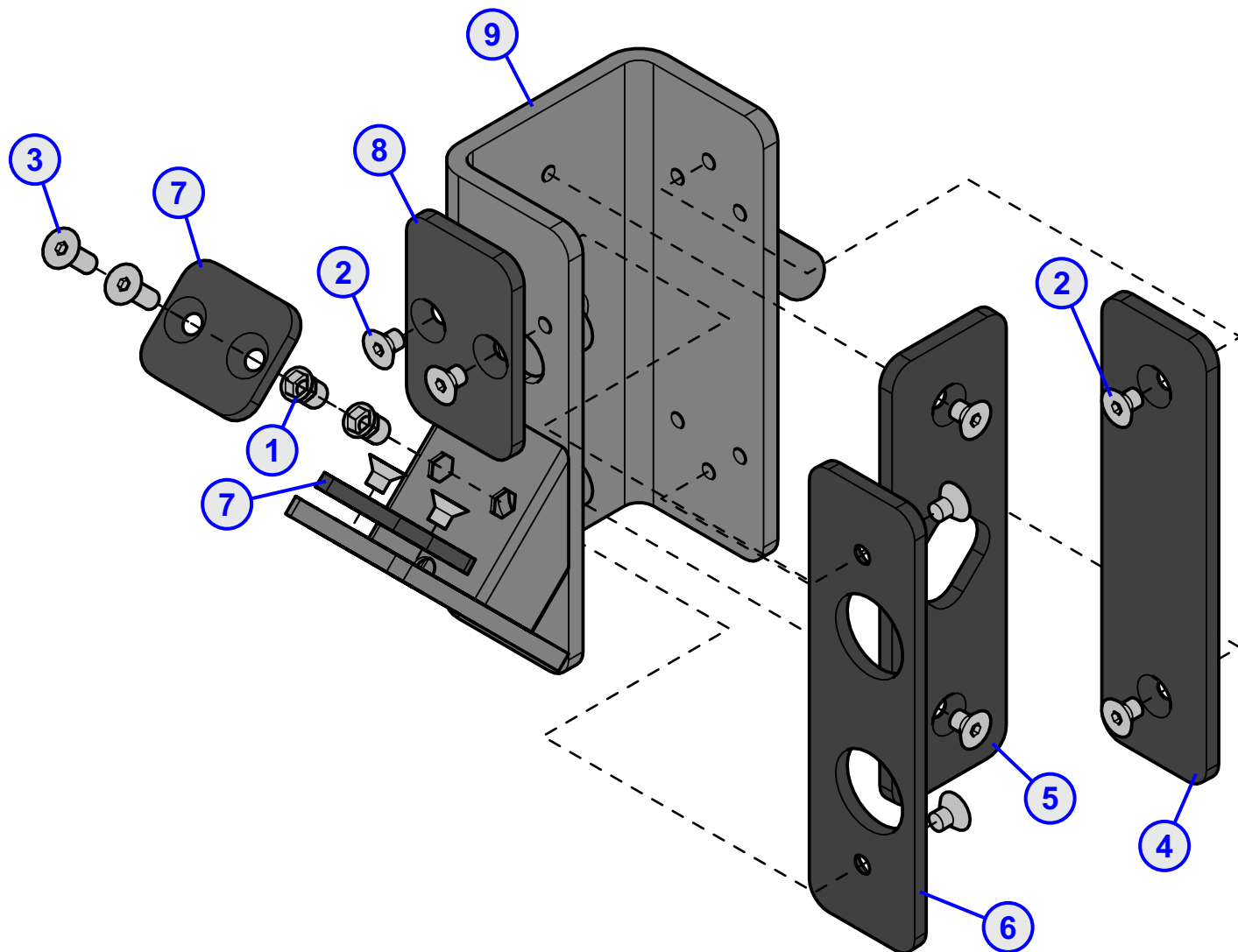




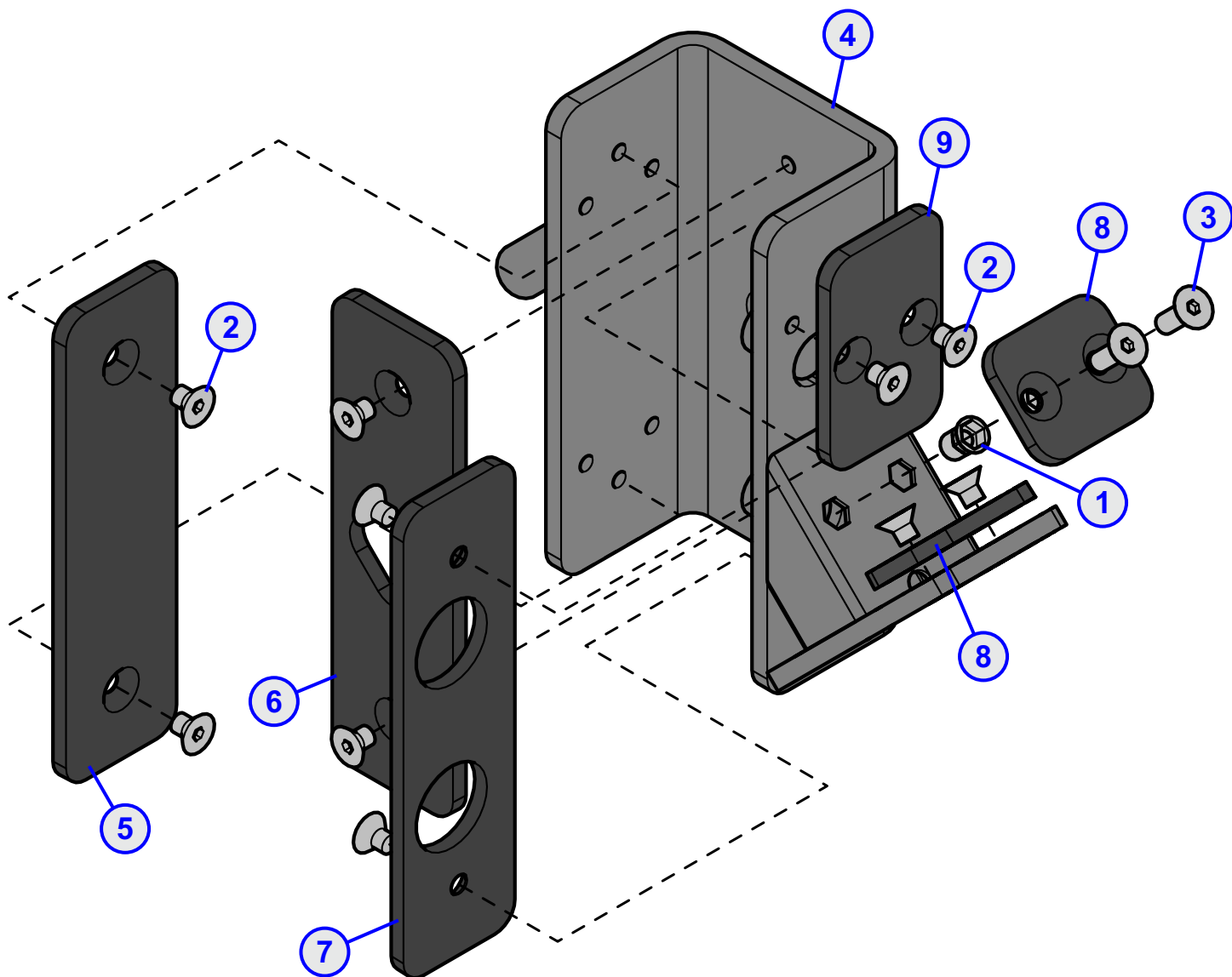
ITEM NO.	QTY.	PART NO.	DESCRIPTION
1	2	9120902	BOLT, EYE, 1/2-13 X 3.25
2	1	9171493	WLDMT, HDE BATWING HANDLES -HWG
3	4	HHB.5X4	1/2 X 4 BOLT
4	6	NUT.5LOCK	1/2 DIA THICK LOCK NUT
5	4	RC-2030-1	CAP, END 2 X 3
6	10	WASH.5STAR	1/2" INTERNAL LOCK WASHER
7	1	9171693	WLDMT, HDE BAT WING GUSSET LH
8	1	9171893	WLDMT, HDE BAT WING GUSSET RH



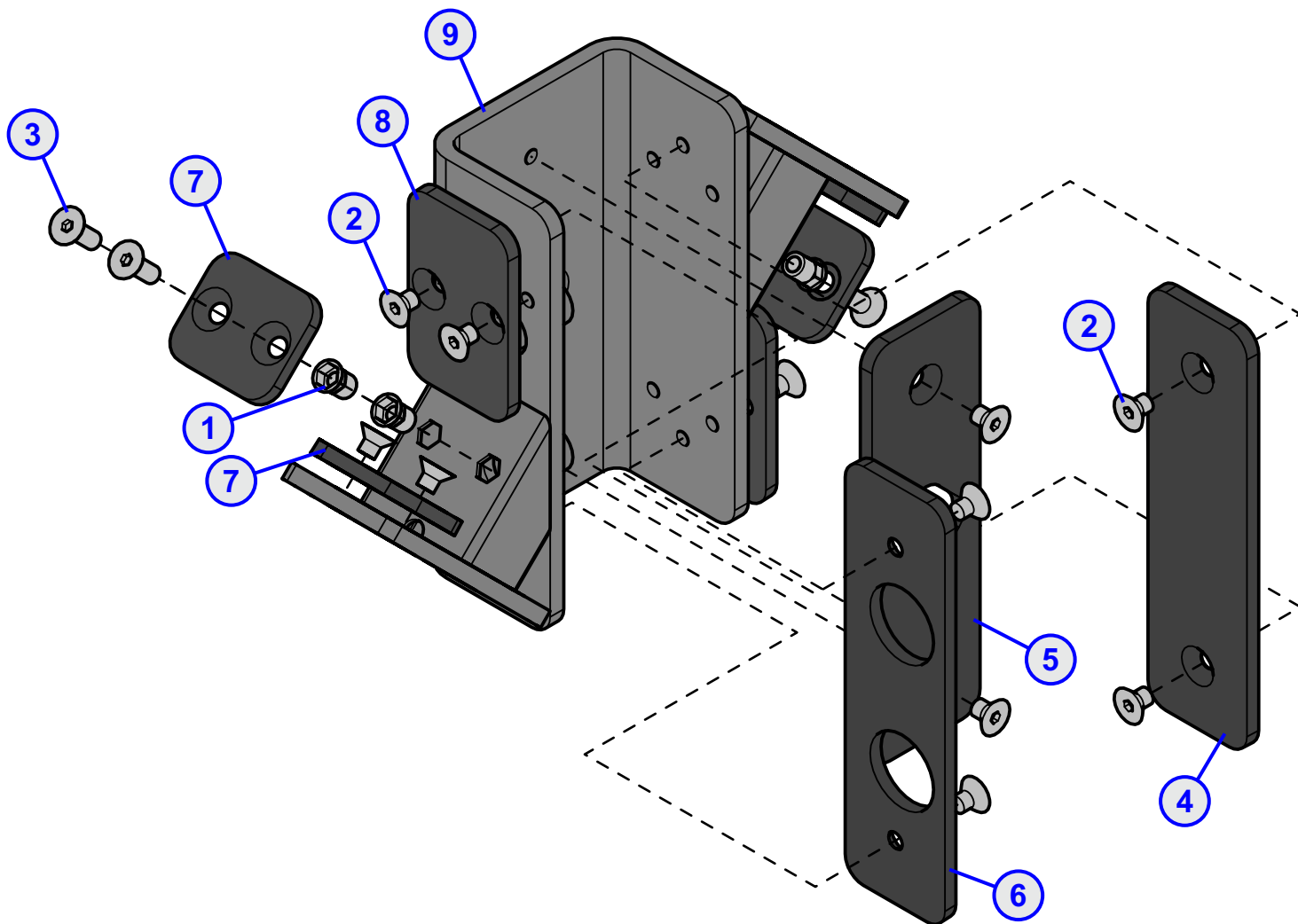
ITEM NO.	QTY.	PART NO.	DESCRIPTION
1	1	9025200	WLDMT, HDEPR, PULL-UP, SIDE MNT, LG
2	2	WASH.5STAR	1/2" INTERNAL LOCK WASHER
3	2	3272805	1/2 IN-13 X 1.25 IN UNC HHCS G5 ZN
4	2	3119306	CAP, END 1-1/2 DIA, 8-12GA



ITEM NO.	QTY.	PART NO.	DESCRIPTION
1	2	3246101	3/8-16 BLIND THREADED INSERT (HEX)
2	10	3246201	0.375 X 1/2" FLAT HEAD CAP SCREW
3	2	3246202	0.375 X 1" FLAT HEAD CAP SCREW
4	1	9108901	GUARD, PAINT, HDE, 254.0 X 69.3
5	1	9109001	GUARD, PAINT, HDE, 254.0 X 75.6
6	1	9109101	GUARD, PAINT, HDE, 254.0 X 69.3
7	2	9109201	GUARD, PAINT, HDE, 69.9 X 60.3
8	1	9109401	GUARD, PAINT, HDE, 69.9 X 114.3
9	1	9108300	ASSY, BAR SUPPORT LEFT



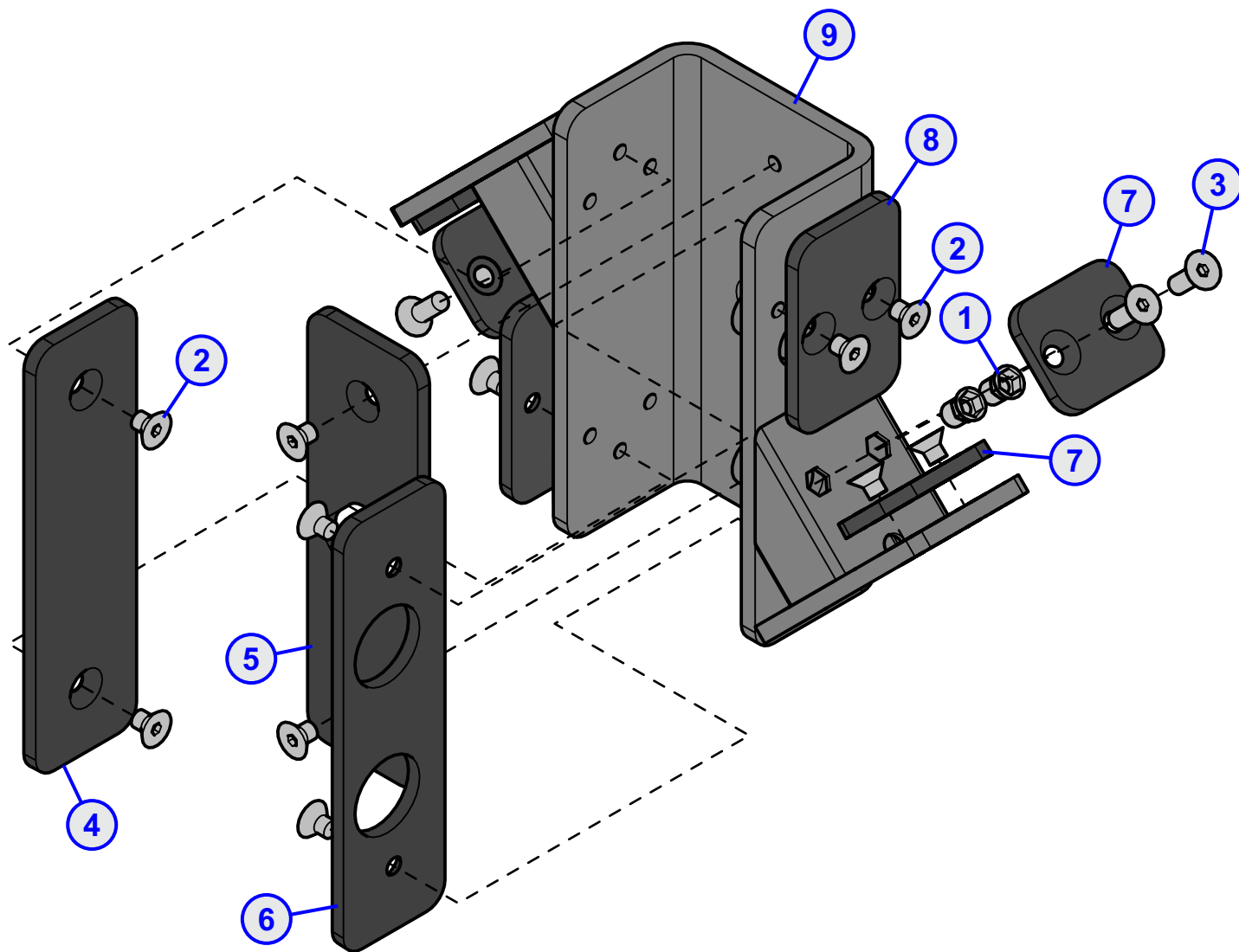
ITEM NO.	QTY.	PART NO.	DESCRIPTION
1	2	3246101	3/8-16 BLIND THREADED INSERT (HEX)
2	10	3246201	0.375 X 1/2" FLAT HEAD CAP SCREW
3	2	3246202	0.375 X 1" FLAT HEAD CAP SCREW
4	1	9109500	PTD ASSY, BAR SUPPORT RIGHT
5	1	9108901	GUARD, PAINT, HDE, 254.0 X 69.3
6	1	9109001	GUARD, PAINT, HDE, 254.0 X 75.6
7	1	9109101	GUARD, PAINT, HDE, 254.0 X 69.3
8	2	9109201	GUARD, PAINT, HDE, 69.9 X 60.3
9	1	9109401	GUARD, PAINT, HDE, 69.9 X 114.3



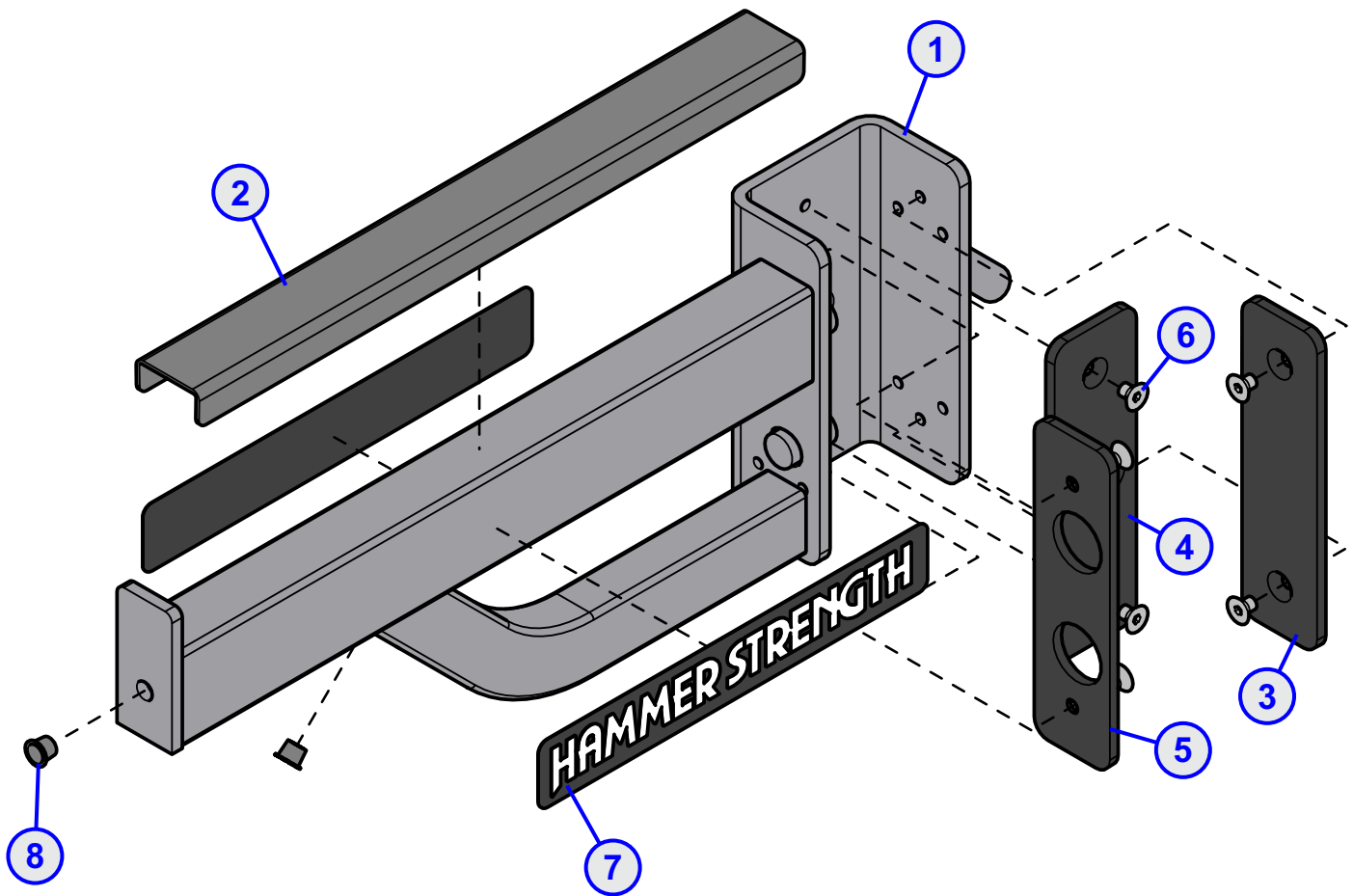
ITEM NO.	QTY.	PART NO.	DESCRIPTION
1	4	3246101	3/8-16 BLIND THREADED INSERT (HEX)
2	14	3246201	0.375 X 1/2" FLAT HEAD CAP SCREW
3	4	3246202	0.375 X 1" FLAT HEAD CAP SCREW
4	1	9108901	GUARD, PAINT, HDE, 254.0 X 69.3
5	1	9109001	GUARD, PAINT, HDE, 254.0 X 75.6
6	1	9109101	GUARD, PAINT, HDE, 254.0 X 69.3
7	4	9109201	GUARD, PAINT, HDE, 69.9 X 60.3
8	2	9109401	GUARD, PAINT, HDE, 69.9 X 114.3
9	1	9115300	PTD ASSY, REVERSE BAR SUPPORT LEFT

# HD ELITE 9115100 REVERSE RIGHT BAR SUPPORT

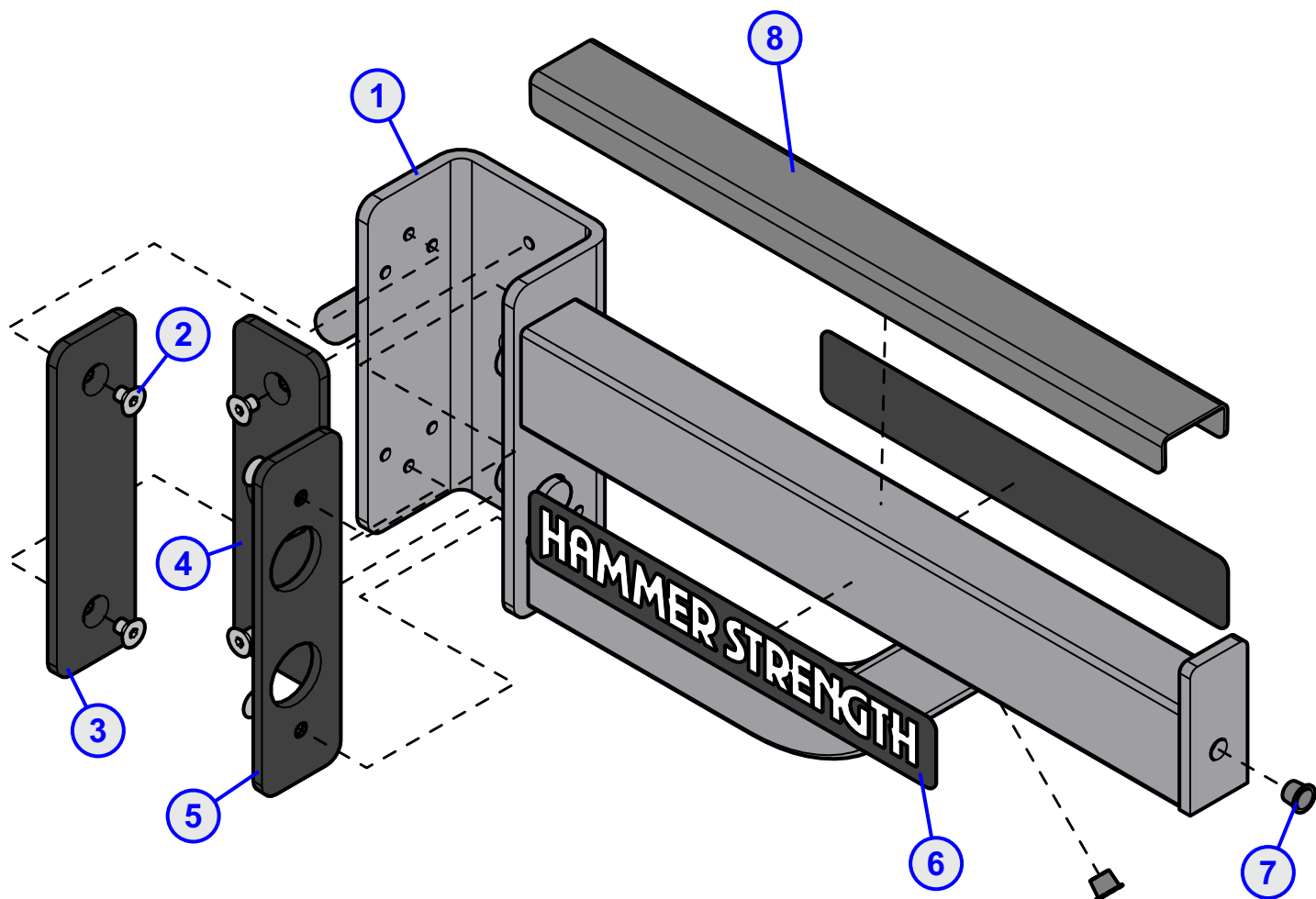
HDLPR  
HDLMR



ITEM NO.	QTY.	PART NO.	DESCRIPTION
1	4	3246101	3/8-16 BLIND THREADED INSERT (HEX)
2	14	3246201	0.375 X 1/2" FLAT HEAD CAP SCREW
3	4	3246202	0.375 X 1" FLAT HEAD CAP SCREW
4	1	9108901	GUARD, PAINT, HDE, 254.0 X 69.3
5	1	9109001	GUARD, PAINT, HDE, 254.0 X 75.6
6	1	9109101	GUARD, PAINT, HDE, 254.0 X 69.3
7	4	9109201	GUARD, PAINT, HDE, 69.9 X 60.3
8	2	9109401	GUARD, PAINT, HDE, 69.9 X 114.3
9	1	9115100	PTD ASSY, REV BAR SUPPORT RIGHT



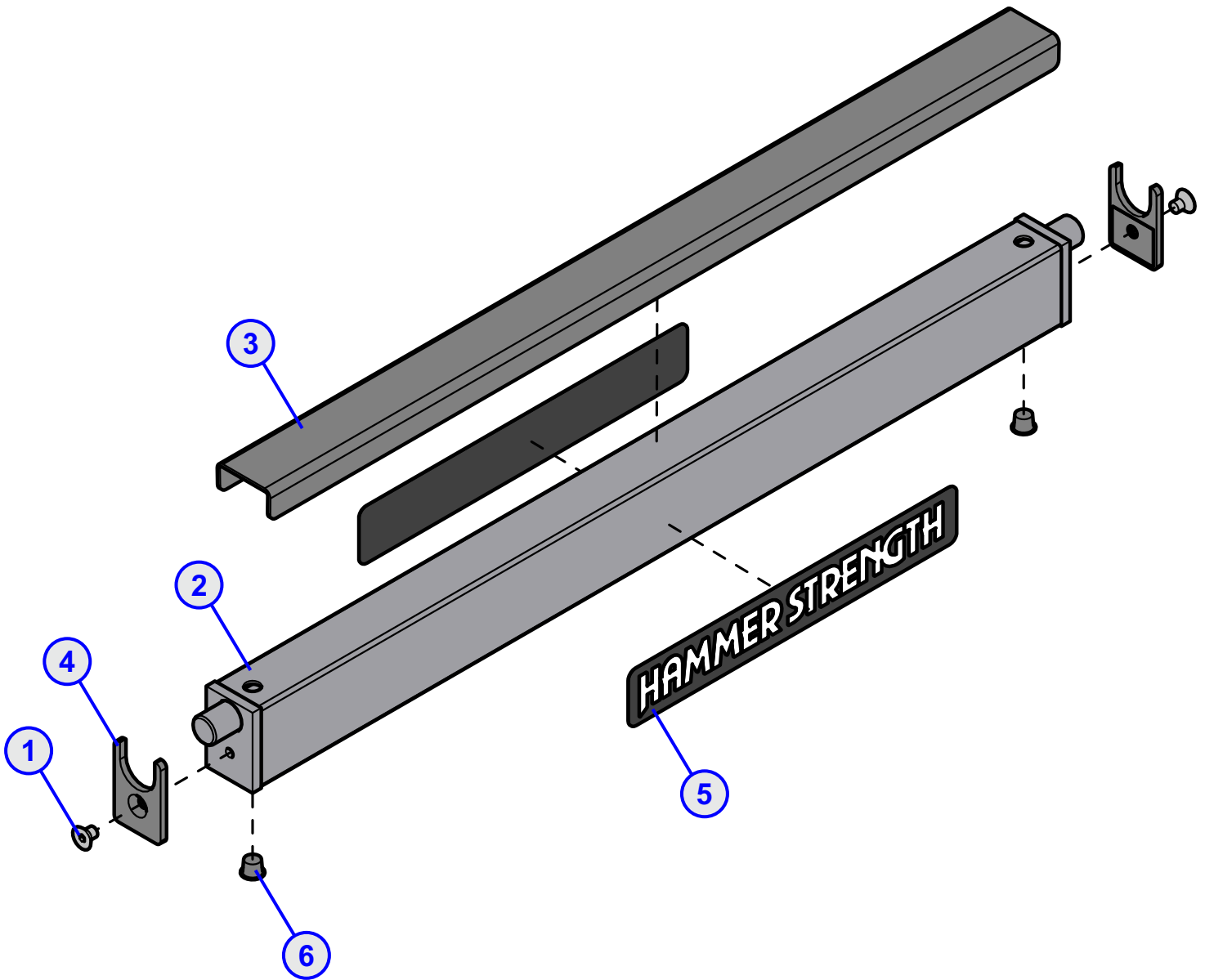
ITEM NO.	QTY.	PART NO.	DESCRIPTION
1	1	1000110-0093	WLDMT, HDL, BAR CATCH LEFT - HWG
2	1	1004865-0002	ASSY, PAINT GUARD, 2IN TUBE
3	1	9108901	GUARD, PAINT, HDE, 254.0 X 69.3
4	1	9109001	GUARD, PAINT, HDE, 254.0 X 75.6
5	1	9109101	GUARD, PAINT, HDE, 254.0 X 69.3
6	6	3246201	0.375 X 1/2" FLAT HEAD CAP SCREW
7	2	1008790-0001	LABEL: LOGO, HAMMER STRENGTH
8	2	H-HPLUG(REG)	H-PLUG 9-16



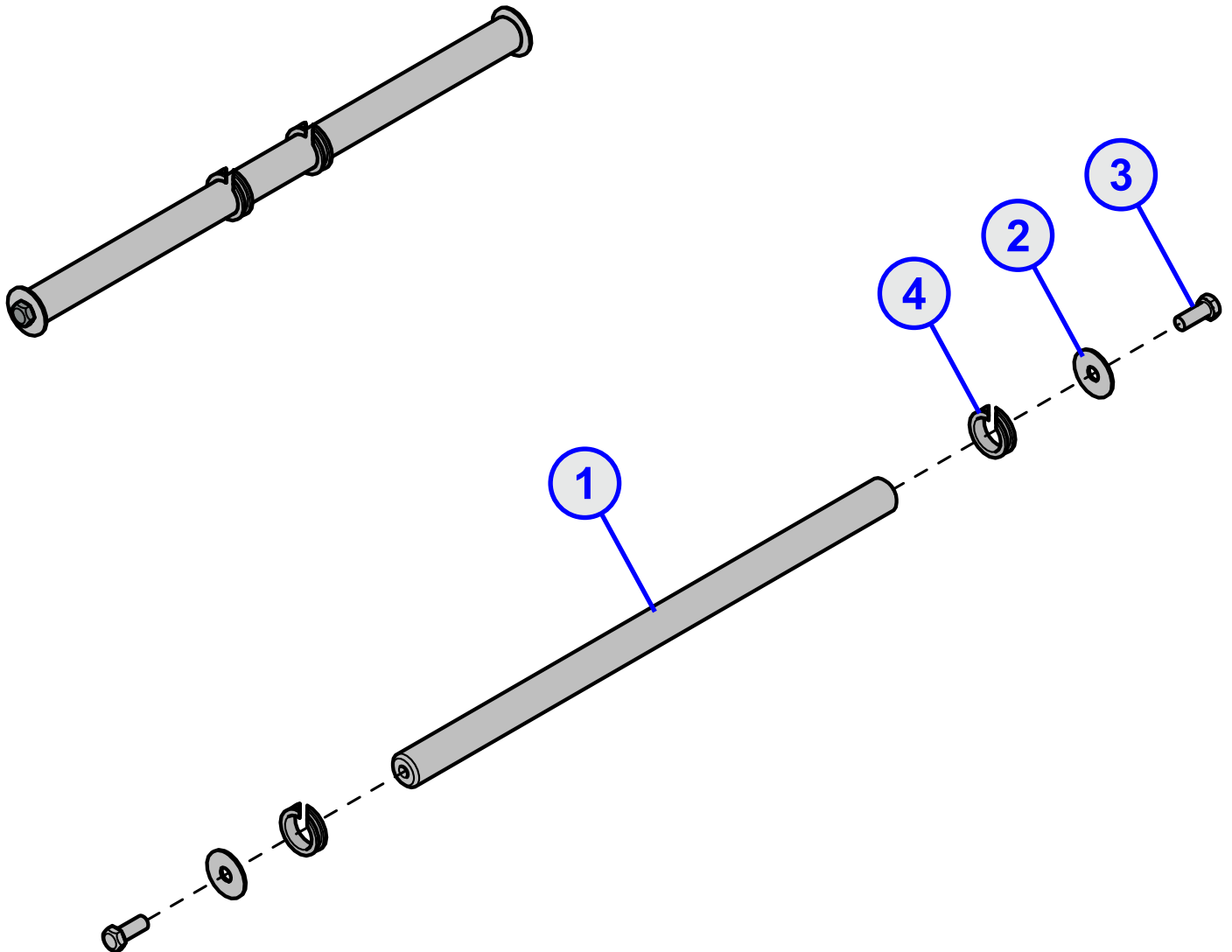
ITEM NO.	QTY.	PART NO.	DESCRIPTION
1	1	1000255-0093	WLDMT, BAR CATCH RIGHT - HWG
2	6	3246201	0.375 X 1/2" FLAT HEAD CAP SCREW
3	1	9108901	GUARD, PAINT, HDE, 254.0 X 69.3
4	1	9109001	GUARD, PAINT, HDE, 254.0 X 75.6
5	1	9109101	GUARD, PAINT, HDE, 254.0 X 69.3
6	2	1008790-0001	LABEL: LOGO, HAMMER STRENGTH
7	1	H-HPLUG(REG)	H-PLUG 9-16
8	2	1004865-0002	ASSY, PAINT GUARD, 2IN TUBE



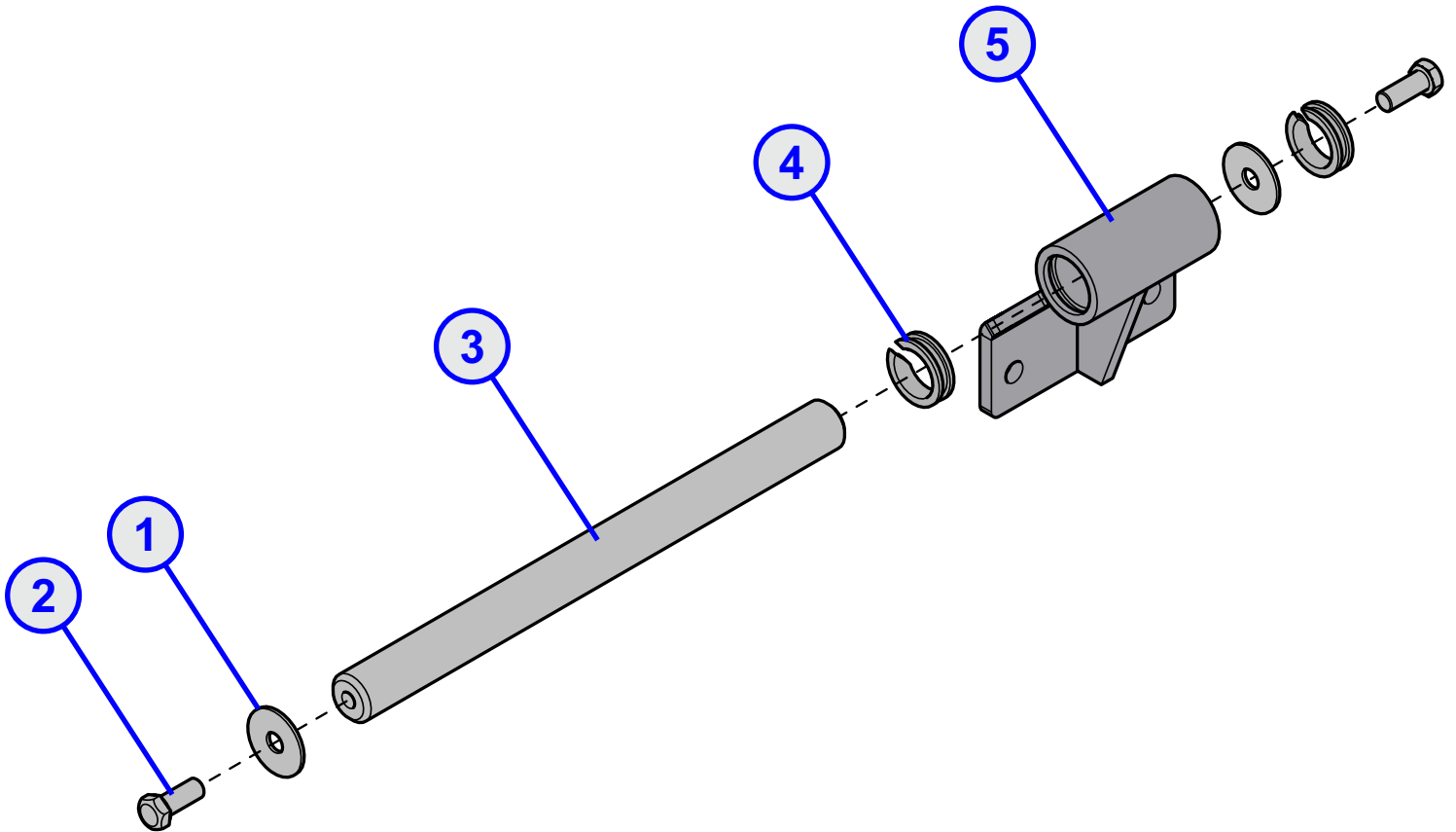
HDLPR  
HDLMR



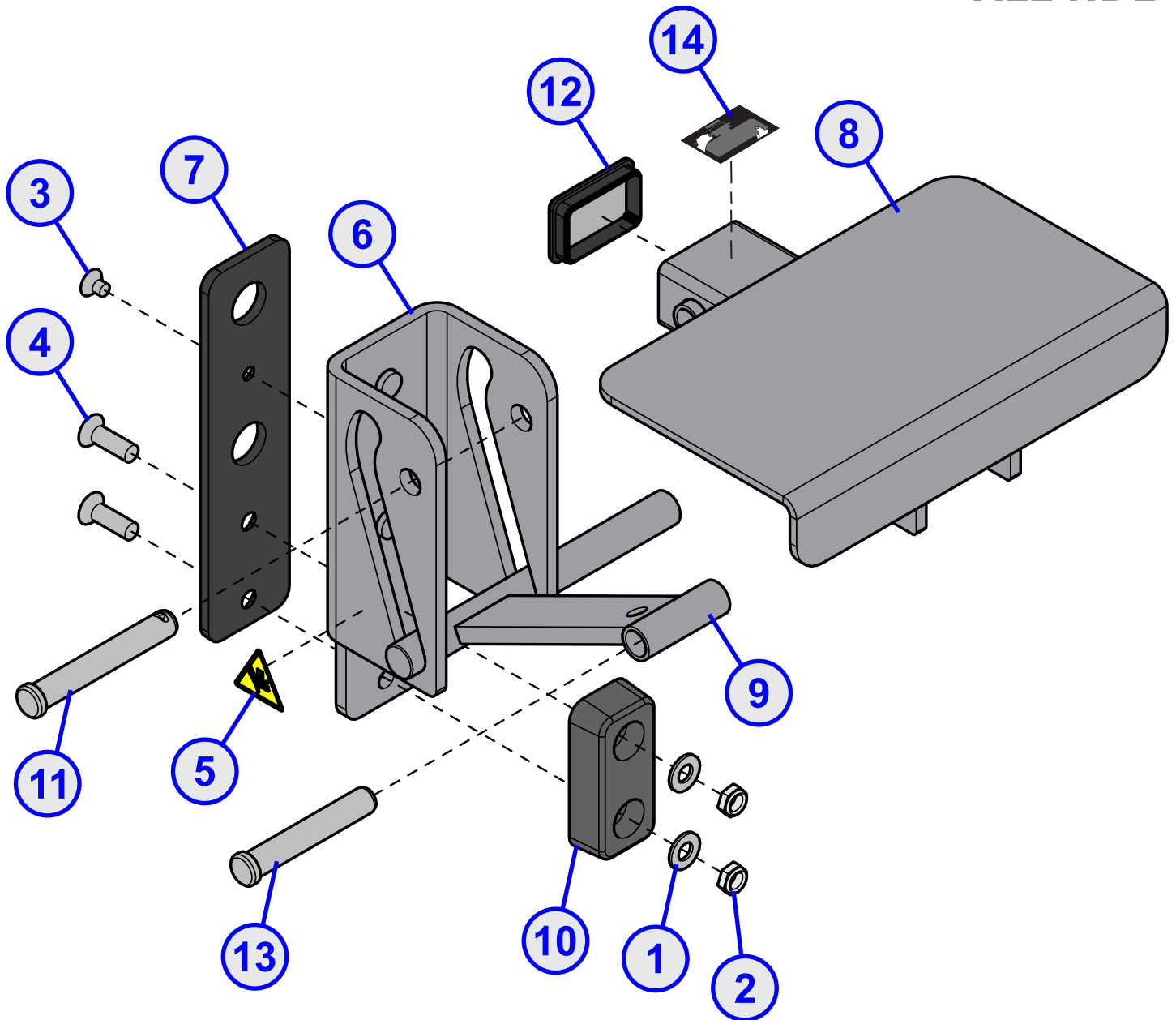
ITEM NO.	QTY.	PART NO.	DESCRIPTION
1	2	3246201	0.375 X 1/2" FLAT HEAD CAP SCREW
2	1	9113800	PTD ASSY, BAR CATCH
3	1	1004865-0004	ASSY, PAINT GUARD, 2IN TUBE
4	2	9113701	ASSY, HDE BAR CATCH END
5	2	1008790-0001	LABEL: LOGO, HAMMER STRENGTH
6	2	H-HPLUG(REG)	H-PLUG 9-16



ITEM NO.	QTY.	PART NO.	DESCRIPTION
1	2	9222601	GUIDE ROD, 31.7 X 581.0 MM
2	4	3102512	WASHER, TYPE A PLAIN ZN
3	4	3272805	1/2 IN-13 X 1.25 IN UNC HHCS G5 ZN
4	4	9235301	CLIP, BEARING



ITEM NO.	QTY.	PART NO.	DESCRIPTION
1	2	3102512	WSHR, FLAT 1/2 ID X1-3/4 OD ZN
2	2	3272805	1/2 IN - 13X 1.25 IN UNC HHCS G5 ZN
3	1	9222602	GUIDE ROD, 31.7 X 400.0 MM
4	2	9235301	CLIP, BEARING
5	1	9297793	WLDMT, HDLHRL, SBP

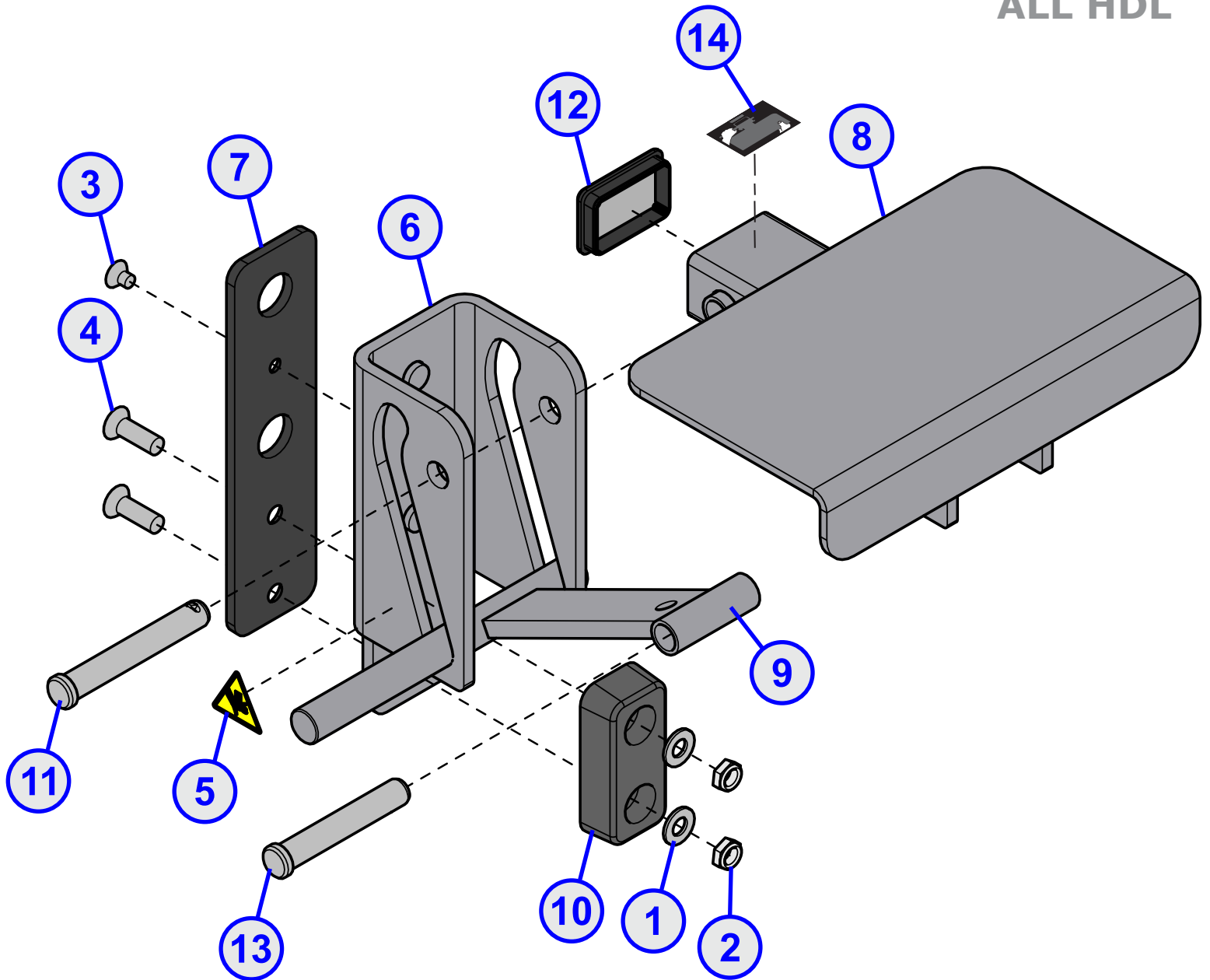


ITEM NO.	QTY.	PART NO.	DESCRIPTION
1	2	3102507	WASHER, FLAT 1/2 SAE ST ZN
2	2	3102804	NUT, NYLOCK-JAM 1/2-13 ST ZN
3	1	3246201	0.375 X 1/2" FLAT HEAD CAP SCREW
4	2	3246303	SCREW, FHSCS 1/2-13 X 1 1/2
5	2	8039501	LABEL, WARNING, TRIANGLE
6	1	9053493	WLDMT, HDE, SPOTTER PLATFORM
7	1	9053801	GUARD, PAINT, HDE, 300.0 X 76.8
8	1	9115593	WLDMT, HDE PLATFORM STEP
9	1	9116093	WLDMT - HDE PLATFORM SUPT
10	1	H-BUMP-SML	MM3 SMALL BUMPER
11	1	HDADJ PIN	LONG SEAT PIN (HDADJ)
12	1	RC-2030-1	CAP, END 2 X 3
13	1	STD SEAT PIN	STD SEAT PIN
14	1	1017982-0001	LABEL: PLACARD, SPOTTER PLATFORM

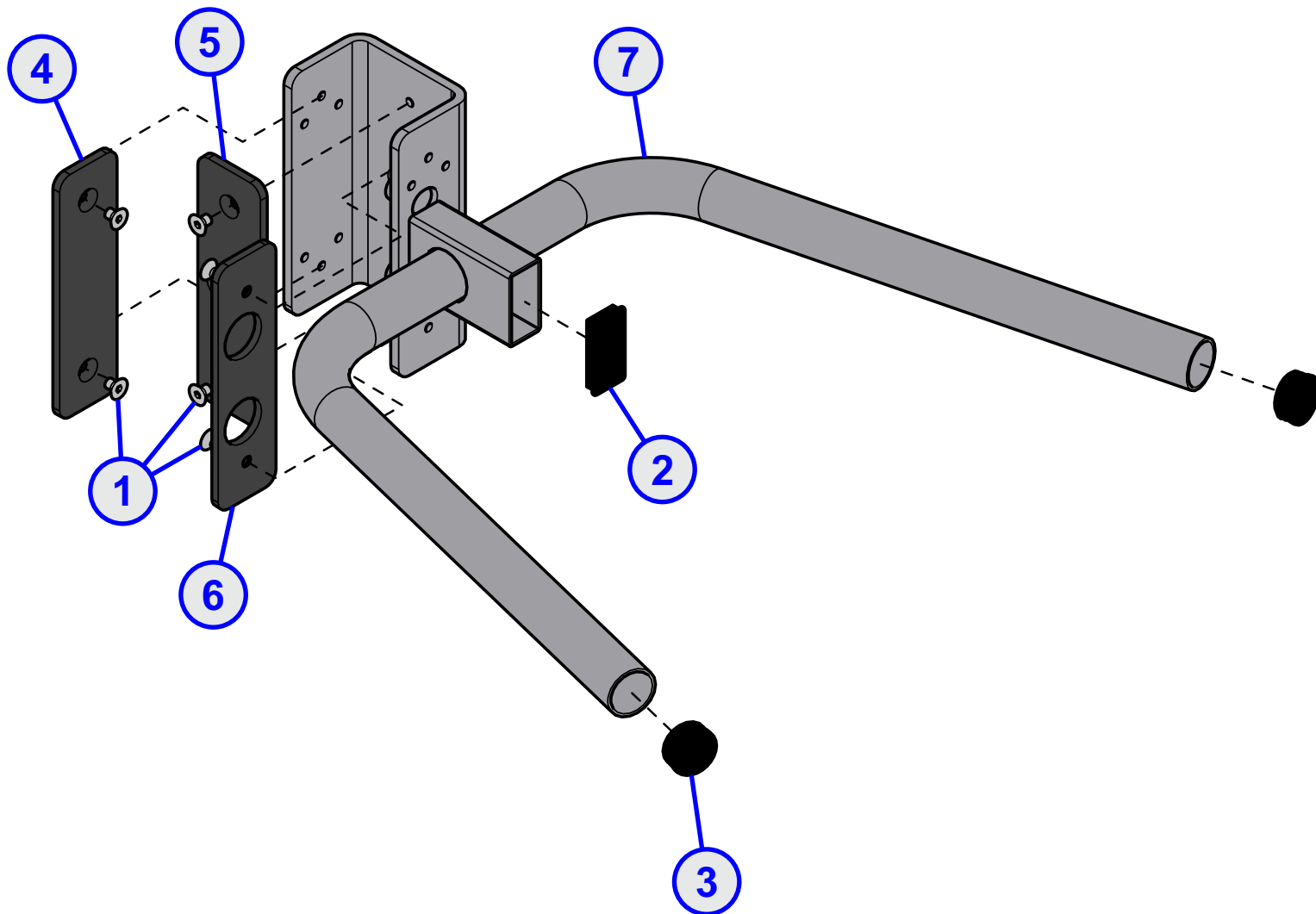
# HD ELITE

# RIGHT SPOTTER PLATFORM

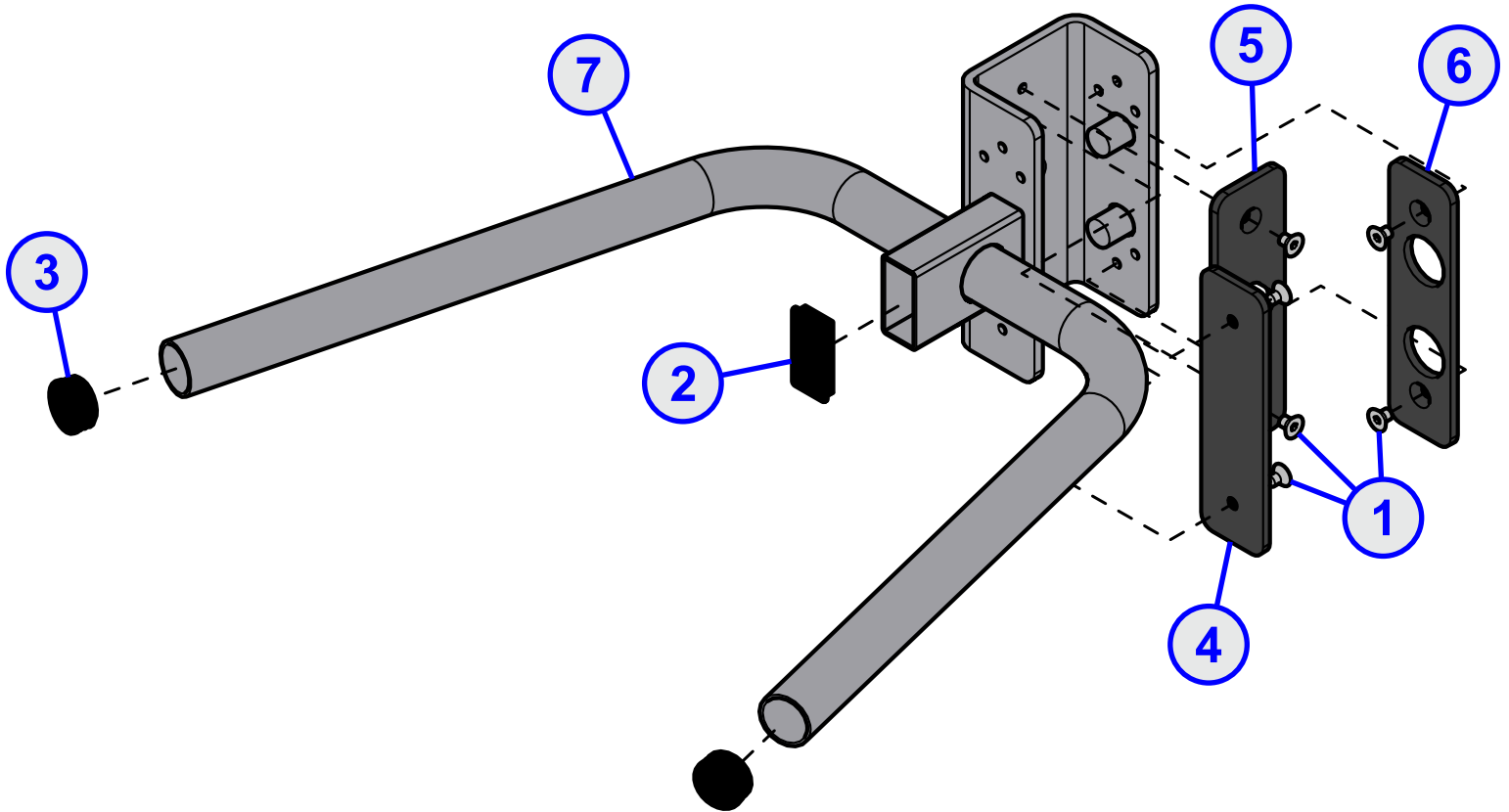
ALL HDL



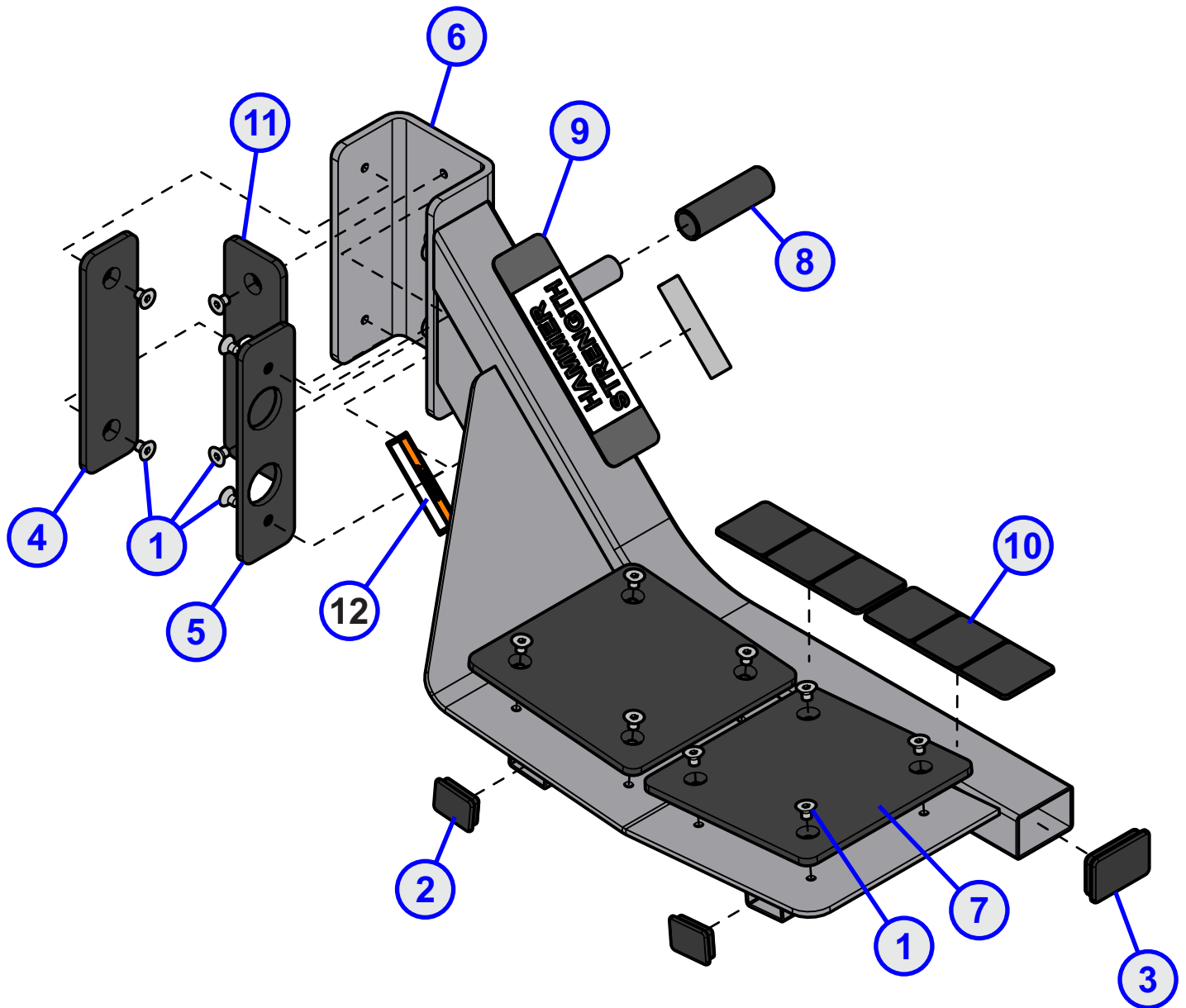
ITEM NO.	QTY.	PART NO.	DESCRIPTION
1	2	3102507	WASHER, FLAT 1/2 SAE ST ZN
2	2	3102804	NUT, NYLOCK-JAM 1/2-13 ST ZN
3	1	3246201	0.375 X 1/2" FLAT HEAD CAP SCREW
4	2	3246303	SCREW, FHSCS 1/2-13 X 1 1/2
5	2	8039501	LABEL, WARNING, TRIANGLE
6	1	9053493	WLDMT, HDE, SPOTTER PLATFORM
7	1	9053801	GUARD, PAINT, HDE, 300.0 X 76.8
8	1	9115593	WLDMT, HDE PLATFORM STEP
9	1	9116093	WLDMT - HDE PLATFORM SUPT
10	1	H-BUMP-SML	MM3 SMALL BUMPER
11	1	HDADJ PIN	LONG SEAT PIN (HDADJ)
12	1	RC-2030-1	CAP, END 2 X 3
13	1	STD SEAT PIN	STD SEAT PIN
14	1	1017982-0001	LABEL: PLACARD, SPOTTER PLATFORM



ITEM NO.	QTY.	PART NO.	DESCRIPTION
1	6	3246201	0.375 X 1/2" FLAT HEAD CAP SCREW
2	1	7477401	CAP. END, 1-1/2 X 3, 11GA SGRY
3	2	3119306	CAP, END 1-1/2 DIA, 8-12GA
4	1	9108901	GUARD, PAINT, HDE, 254.0 X 69.3
5	1	9109001	GUARD, PAINT, HDE, 254.0 X 75.6
6	1	9109101	GUARD, PAINT, HDE, 254.0 X 69.3
7	1	9110800	PTD, ASSY, HDE DIP ASSEMBLY

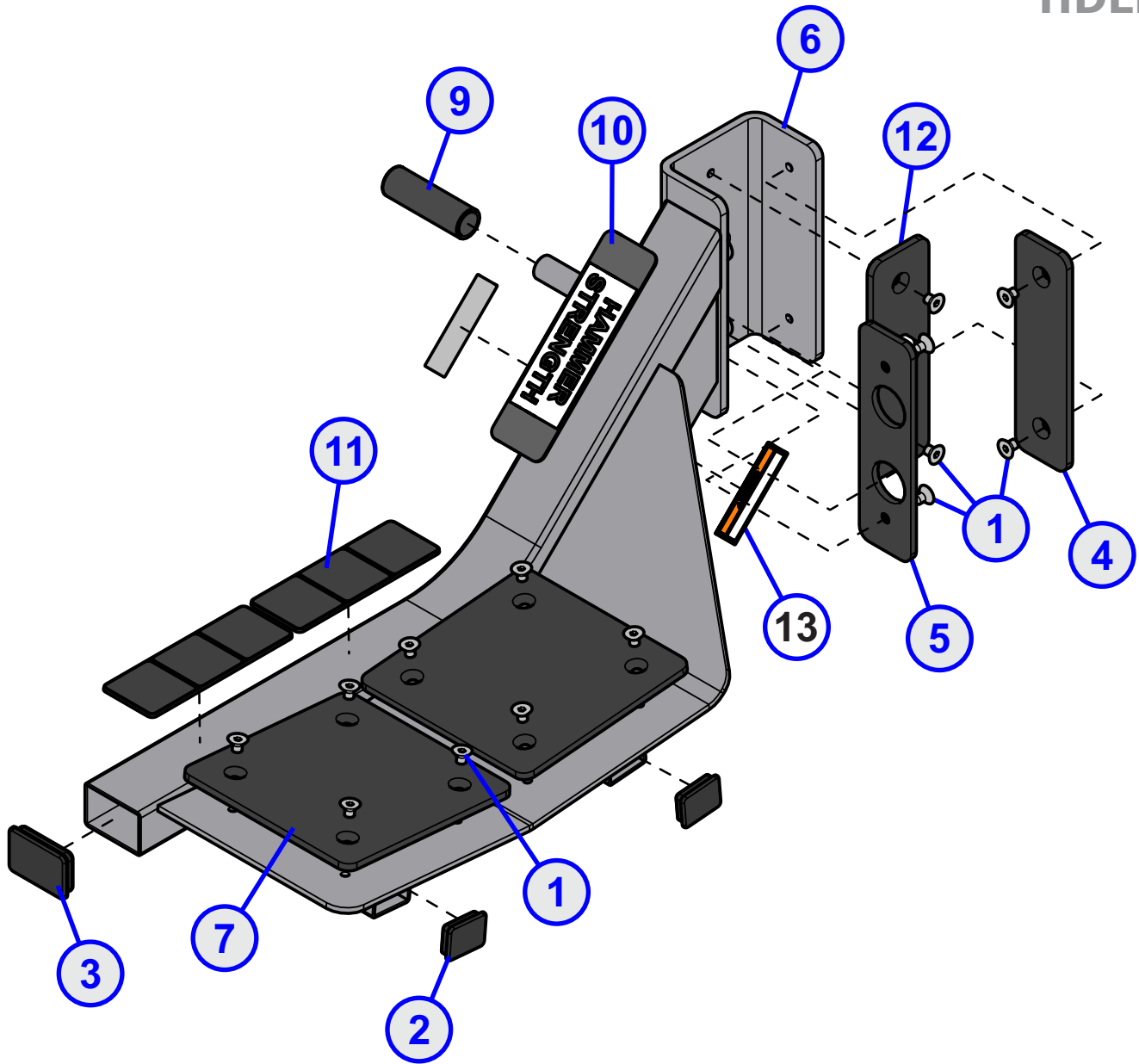


ITEM NO.	QTY.	PART NO.	DESCRIPTION
1	6	3246201	0.375 X 1/2" FLAT HEAD CAP SCREW
2	1	7477401	CAP. END, 1-1/2 X 3, 11GA SGRY
3	2	3119306	CAP, END 1-1/2 DIA, 8-12GA
4	1	9108901	GUARD, PAINT, HDE, 254.0 X 69.3
5	1	9109001	GUARD, PAINT, HDE, 254.0 X 75.6
6	1	9109101	GUARD, PAINT, HDE, 254.0 X 69.3
7	1	9111000	HDE REVERSE DIP ASSEMBLY



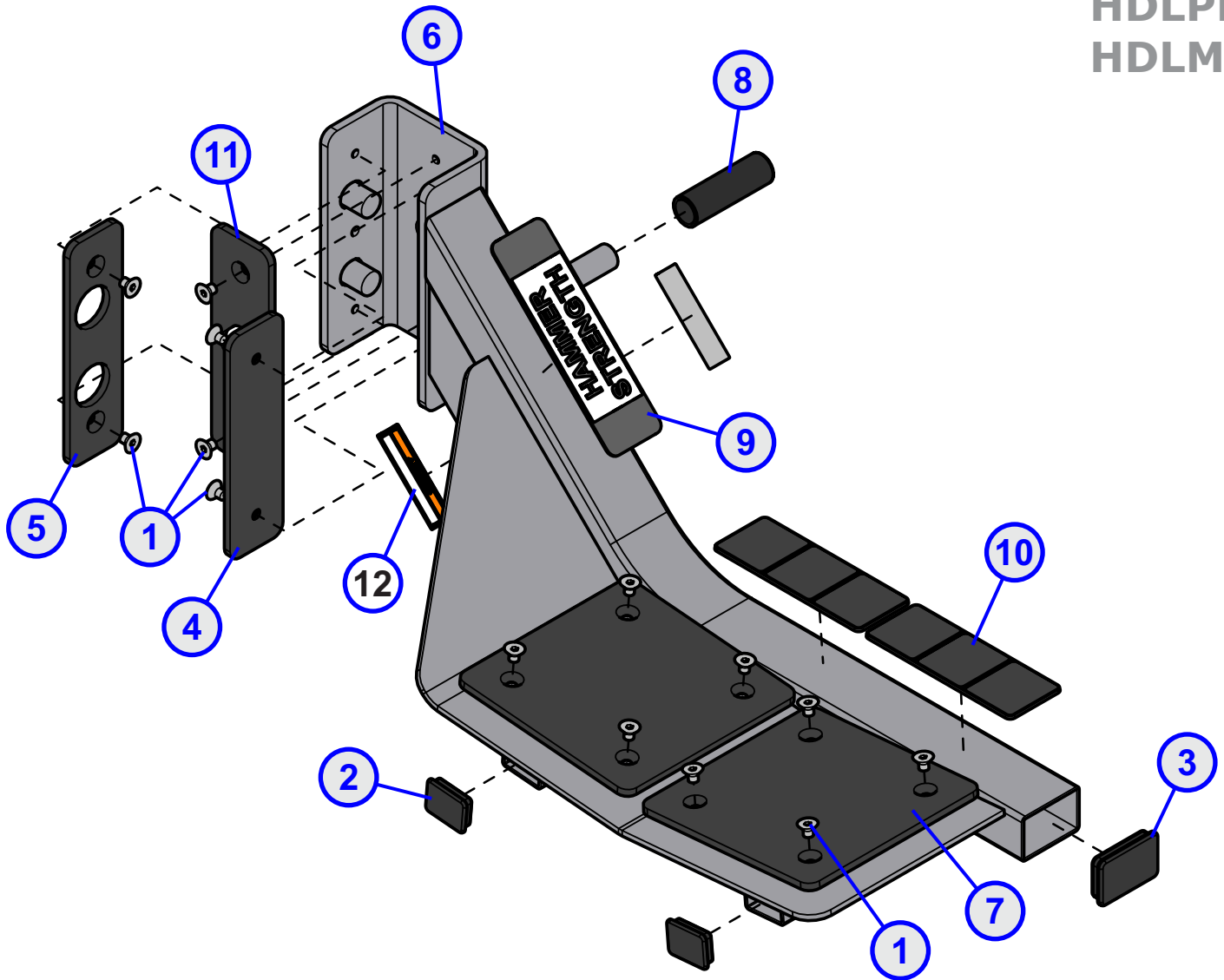
ITEM NO.	QTY.	PART NO.	DESCRIPTION
1	14	3246201	0.375 X 1/2" FLAT HEAD CAP SCREW
2	2	7352201	CAP, END 1-1/2 X 2
3	1	7352301	CAP, END 2 X 3
4	1	9108901	GUARD, PAINT, HDE, 254.0 X 69.3
5	1	9109101	GUARD, PAINT, HDE, 254.0 X 69.3
6	1	9112100	TECH TRAY LEFT, ASSY
7	2	9115401	GUARD, PAINT, HDE 228.6 X 228.6
8	1	H-GRIP	HANDLE GRIPS (.938X16)
9	1	H-NONSKID 3X9	PLASTIC NON SKID STRIP 3 X 9
10	2	H-PLATE-G3	LARGE PLATE GUARD
11	1	9109001	GUARD, PAINT, HDE, 254.0 X 75.6
12	2	91330XX	LABEL, MAX CAPACITY, 485 LBS





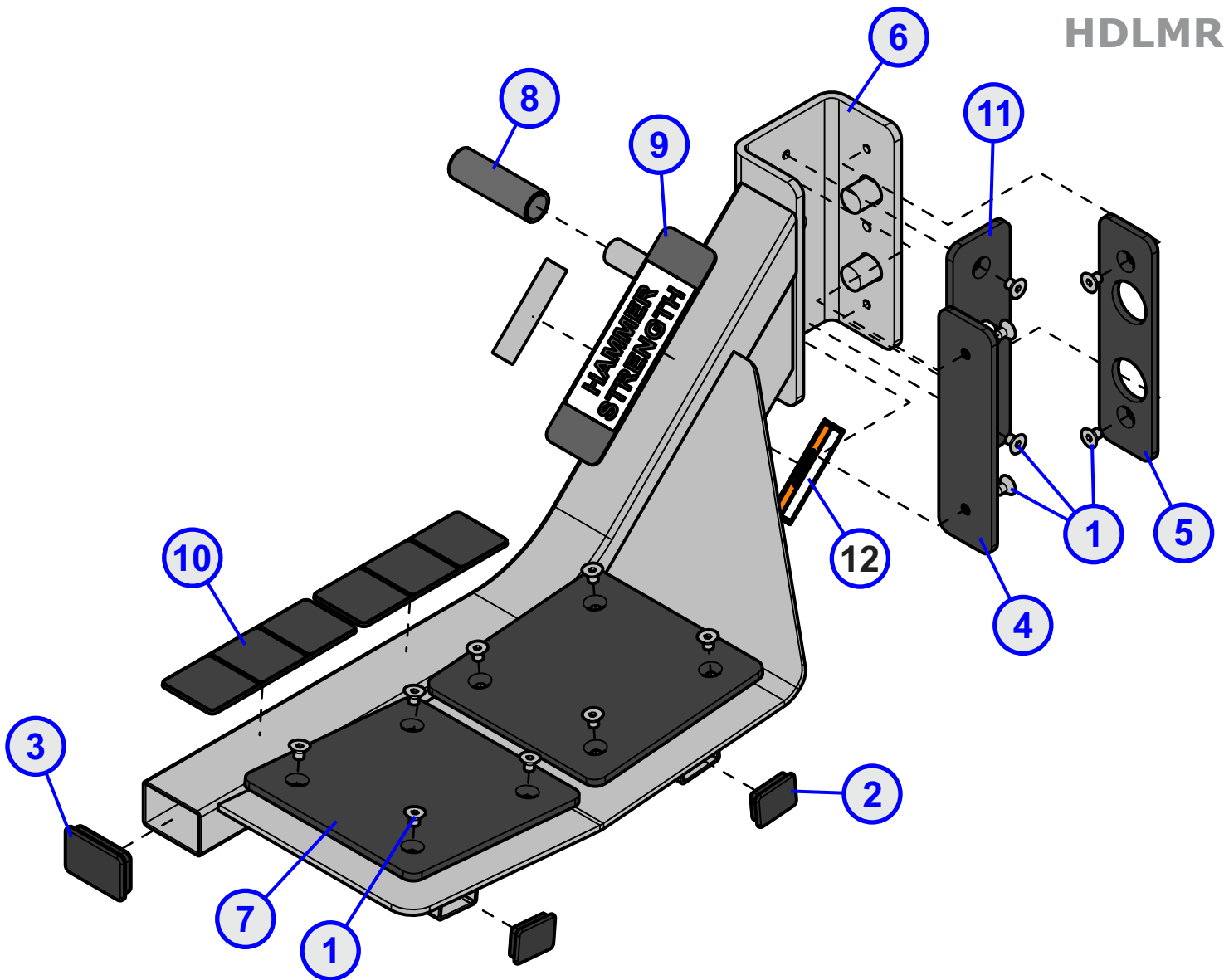
ITEM NO.	QTY.	PART NO.	DESCRIPTION
1	14	3246201	0.375 X 1/2" FLAT HEAD CAP SCREW
2	2	7352201	CAP, END 1-1/2 X 2
3	1	7352301	CAP, END 2 X 3
4	1	9108901	GUARD, PAINT, HDE, 254.0 X 69.3
5	1	9109101	GUARD, PAINT, HDE, 254.0 X 69.3
6	1	9112200	TECH TRAY RIGHT, ASSY
7	2	9115401	GUARD, PAINT, HDE 228.6 X 228.6
9	1	H-GRIP	HANDLE GRIPS (.938X16)
10	1	H-NONSKID 3X9	PLASTIC NON SKID STRIP 3 X 9
11	2	H-PLATE-G3	LARGE PLATE GUARD
12	1	9109001	GUARD, PAINT, HDE, 254.0 X 75.6
13	2	91330XX	LABEL, MAX CAPACITY, 485 LBS

HDLPR  
HDLMR

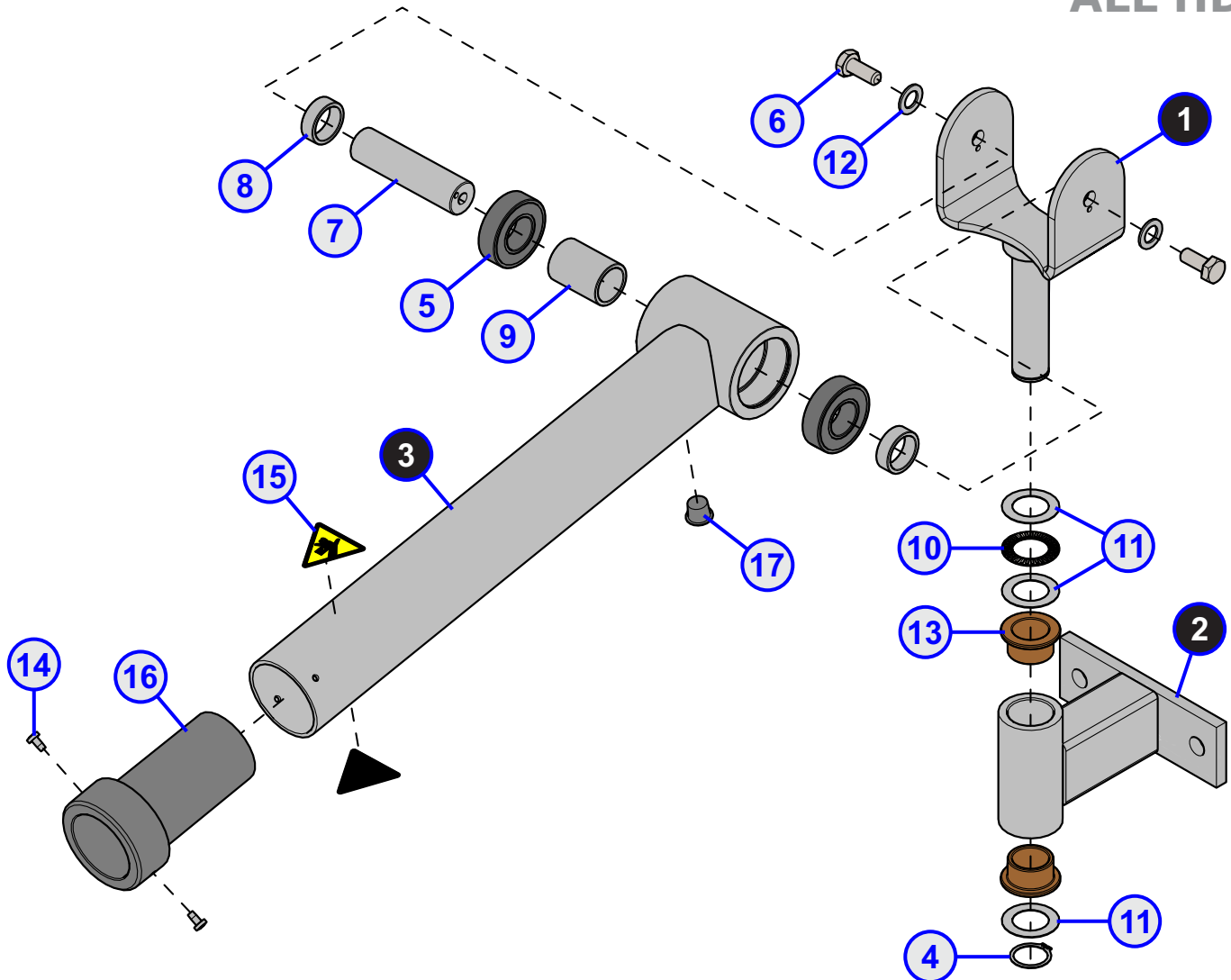


ITEM NO.	QTY.	PART NO.	DESCRIPTION
1	14	3246201	0.375 X 1/2" FLAT HEAD CAP SCREW
2	2	7352201	CAP, END 1-1/2 X 2
3	1	7352301	CAP, END 2 X 3
4	1	9108901	GUARD, PAINT, HDE, 254.0 X 69.3
5	1	9109101	GUARD, PAINT, HDE, 254.0 X 69.3
6	1	9112500	PTD ASSY, REVERSE TECH TRAY LEFT
7	2	9115401	GUARD, PAINT, HDE 228.6 X 228.6
8	1	H-GRIP	HANDLE GRIPS (.938X16)
9	1	H-NONSKID 3X9	PLASTIC NON SKID STRIP 3 X 9
10	2	H-PLATE-G3	LARGE PLATE GUARD
11	1	9109001	GUARD, PAINT, HDE, 254.0 X 75.6
12	2	91330XX	LABEL, MAX CAPACITY, 485 LBS

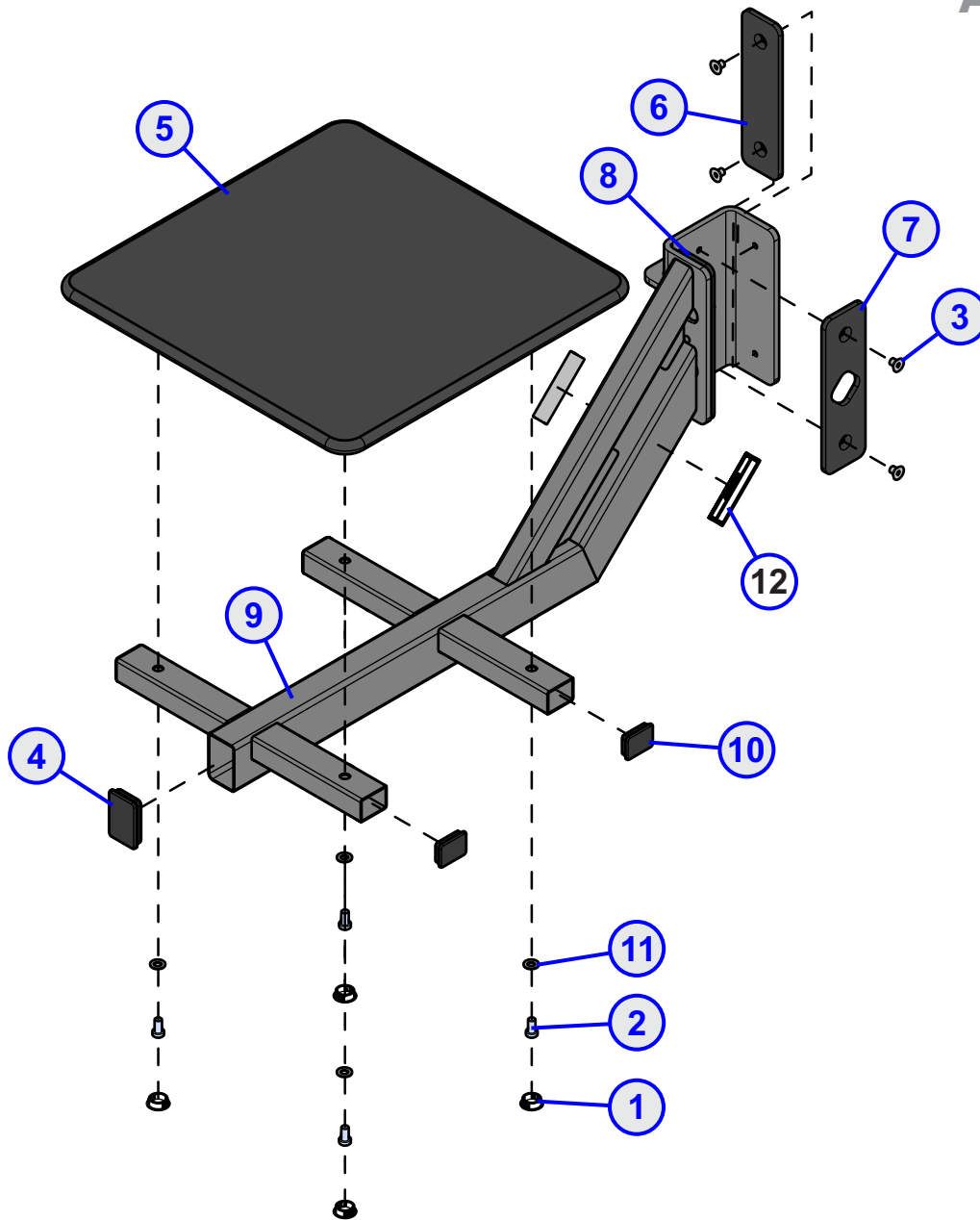
HDLPR  
HDLMR



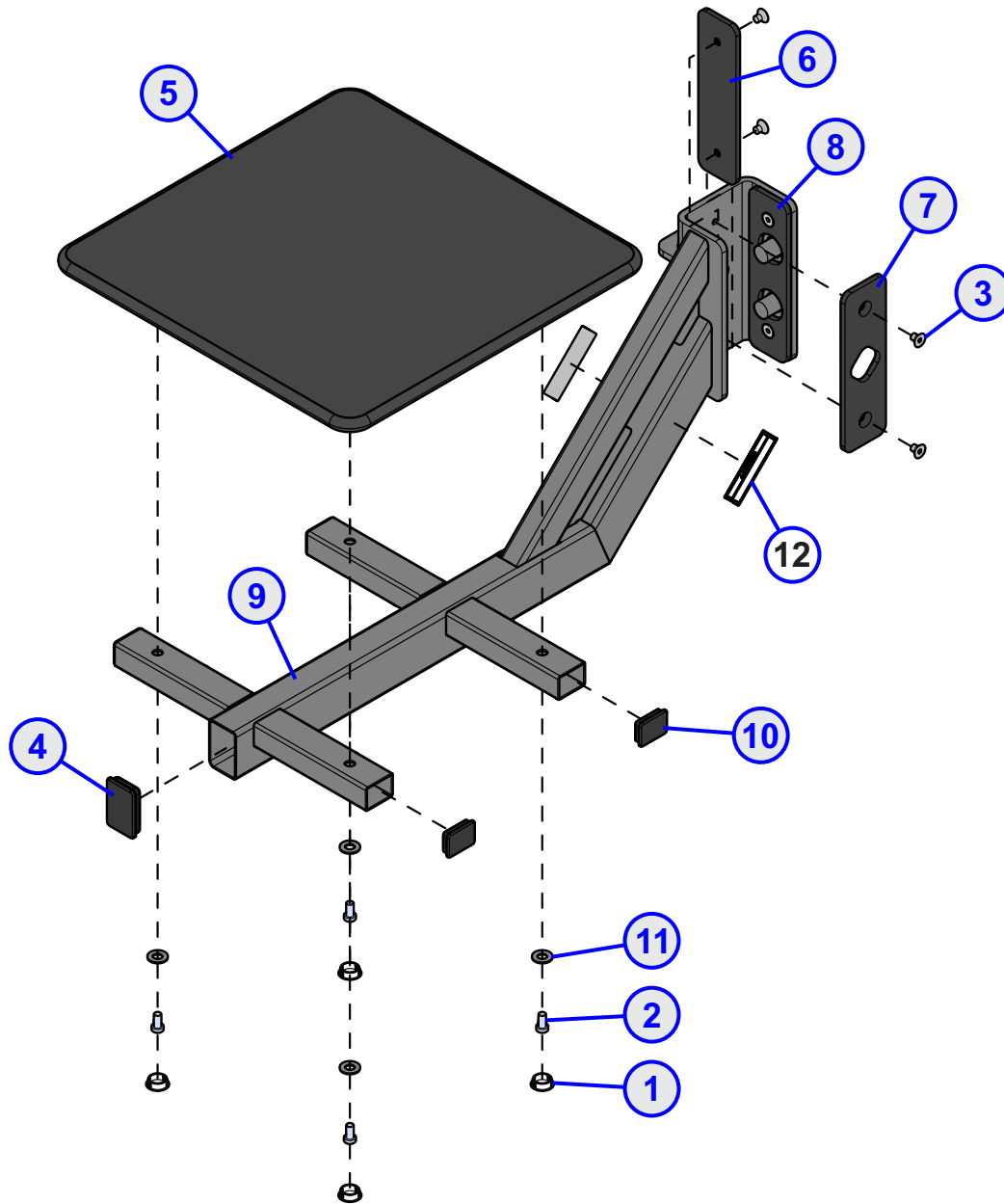
ITEM NO.	QTY.	PART NO.	DESCRIPTION
1	14	3246201	0.375 X 1/2" FLAT HEAD CAP SCREW
2	2	7352201	CAP, END 1-1/2 X 2
3	1	7352301	CAP, END 2 X 3
4	1	9108901	GUARD, PAINT, HDE, 254.0 X 69.3
5	1	9109101	GUARD, PAINT, HDE, 254.0 X 69.3
6	1	9113100	PTD ASSY, REVERSE TECH TRAY RIGHT
7	2	9115401	GUARD, PAINT, HDE 228.6 X 228.6
8	1	H-GRIP	HANDLE GRIPS (.938X16)
9	1	H-NONSKID 3X9	PLASTIC NON SKID STRIP 3 X 9
10	2	H-PLATE-G3	LARGE PLATE GUARD
11	1	9109001	GUARD, PAINT, HDE, 254.0 X 75.6
12	2	91330XX	LABEL, MAX CAPACITY, 485 LBS



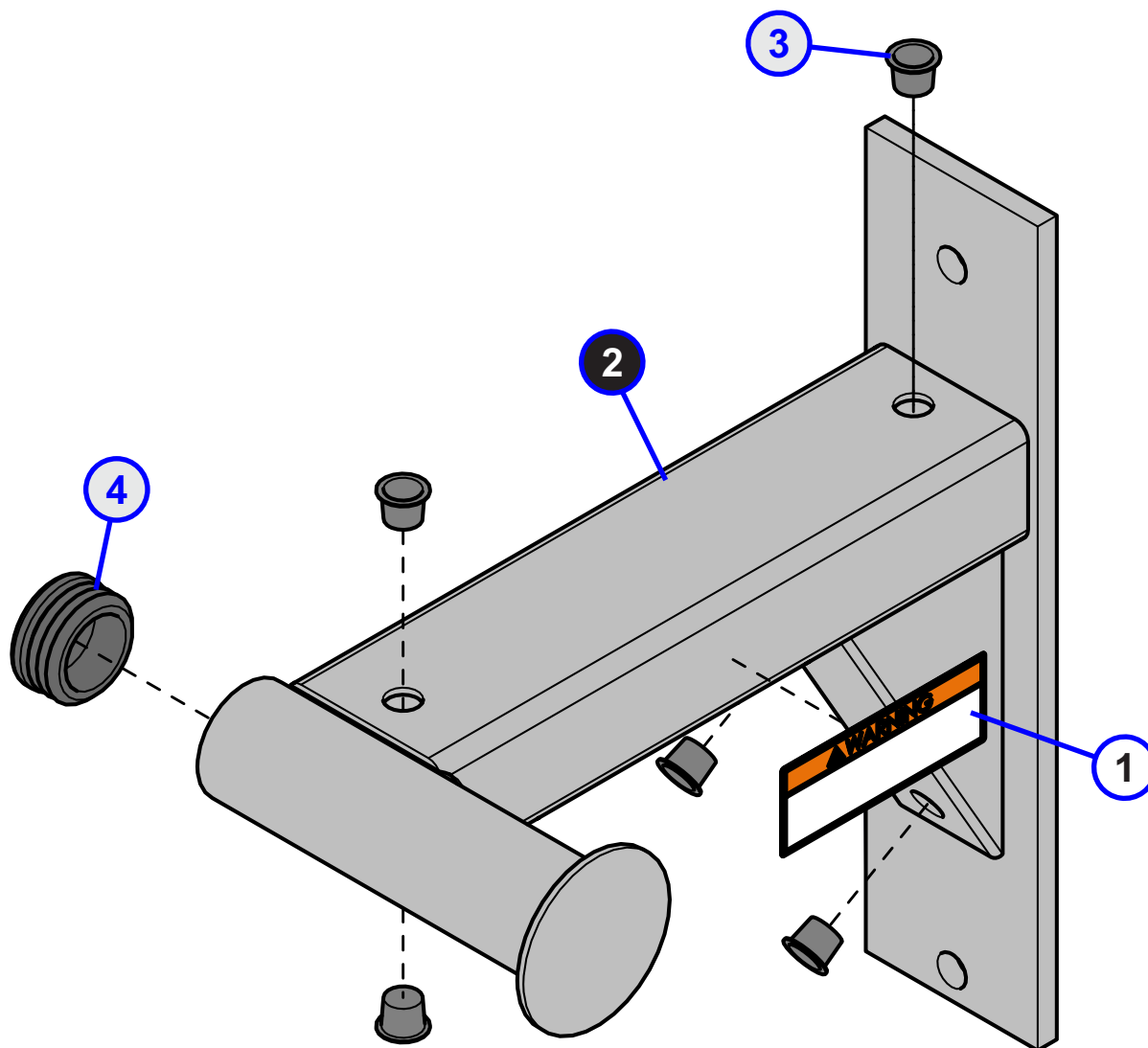
ITEM NO.	QTY.	PART NO.	DESCRIPTION
1	1	1002654-0000	WLDMT, AT-PP, PIVOT
2	1	1009620-0000	WLDMT: HOUSING
3	1	1002653-0000	WLDMT, AT-PP, WORK ARM
4	1	3232421	RING, BRE .940, 5100-100 ST PP B
5	2	3235601	BEARING, 6205 BALL
6	2	3251202	SCREW, M10 X1.5 X 25MM UNS HEX CS ST ZN
7	1	7316501	SHAFT, 25MM X 3.750
8	2	7330011	SPACER, INTERNAL X .425
9	1	7330006	SPACER, INTERNAL X 1.765
10	1	9117301	BEARING, THRUST NEEDLE-ROLLER, 1 IN. ID
11	3	9117401	WASHER, THRUST NEEDLE ROLLER, 1IN, ID
12	2	WASH.5STAR	1/2" INTERNAL LOCK WASHER
13	2	1002878-0003	1.00" ID 1.25" OD BRONZ BUSHING
14	2	3270601	SCREW, #10-32 X 3/8 TRX PAN ST BZ
15	2	8039501	LABEL, WARNING TRIANGLE
16	1	9045101	CAP, HDE, LANDMINE, WORK ARM
17	1	H-HPLUG(REG)	9/16IN HOLE PLUG



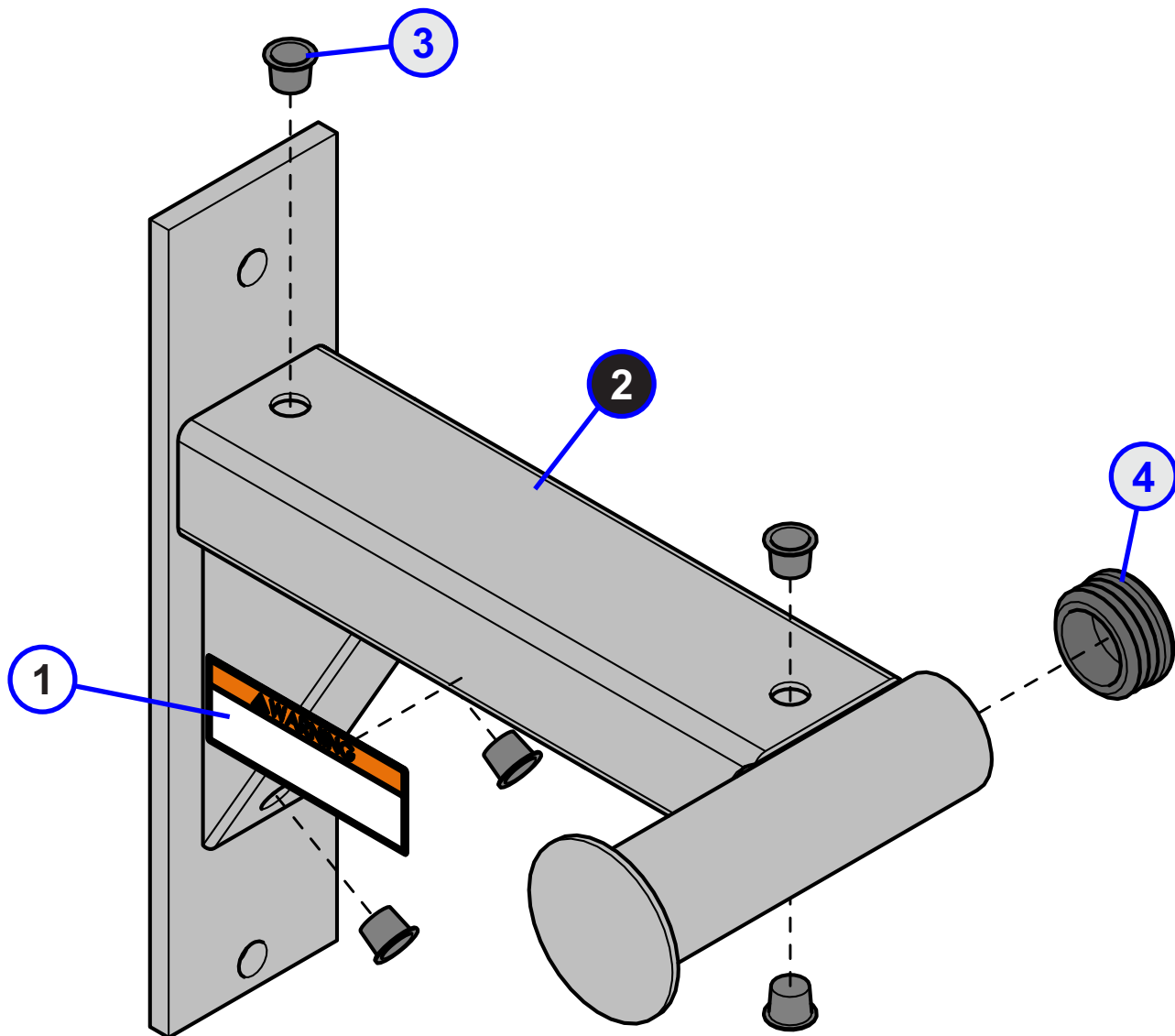
ITEM NO.	QTY.	PART NO.	DESCRIPTION
1	4	3236201	SCREW, M10 X1.5 20MM
2	4	WASH.375SAE	3/8" SAE FLAT WASHER
3	6	3246201	0.375 X 1/2" FLAT HEAD CAP SCREW
4	1	7352301	CAP, END 2 X 3
5	1	9058501	FOOT PLATE, FXT, STEP UP
6	1	9108901	GUARD, PAINT, HDE, 254.0 X 69.3
7	1	9109001	GUARD, PAINT, HDE, 254.0 X 75.6
8	1	9109101	GUARD, PAINT, HDE, 254.0 X 69.3
9	1	9191793	WLDMT, HDESTP
10	4	7352201	CAP, END 1-1/2 X 2
11	4	3237403	PLUG, 1" HOLE
12	2	1001280-0001	LABEL, MAX CAPACITY, 600 LB - ENGLISH
		1001281-0001	LABEL, MAX CAPACITY, 600 LB - ALL LANG.



ITEM NO.	QTY.	PART NO.	DESCRIPTION
1	4	3236201	SCREW, M10 X1.5 20MM
2	4	WASH.5SAE	1/2" SAE FLAT WASHER
3	6	3246201	0.375 X 1/2" FLAT HEAD CAP SCREW
4	1	7352301	CAP, END 2 X 3
5	1	9058501	FOOT PLATE, FXT, STEP UP
6	1	9108901	GUARD, PAINT, HDE, 254.0 X 69.3
7	1	9109001	GUARD, PAINT, HDE, 254.0 X 75.6
8	1	9109101	GUARD, PAINT, HDE, 254.0 X 69.3
9	1	9192293	WLDMT, HDERSTP
10	4	7352201	CAP, END 1-1/2 X 2
11	4	3237403	PLUG, 1" HOLE
12	2	1001280-0001	LABEL, MAX CAPACITY, 600 LB - ENGLISH
		1001281-0001	LABEL, MAX CAPACITY, 600 LB - ALL LANG.

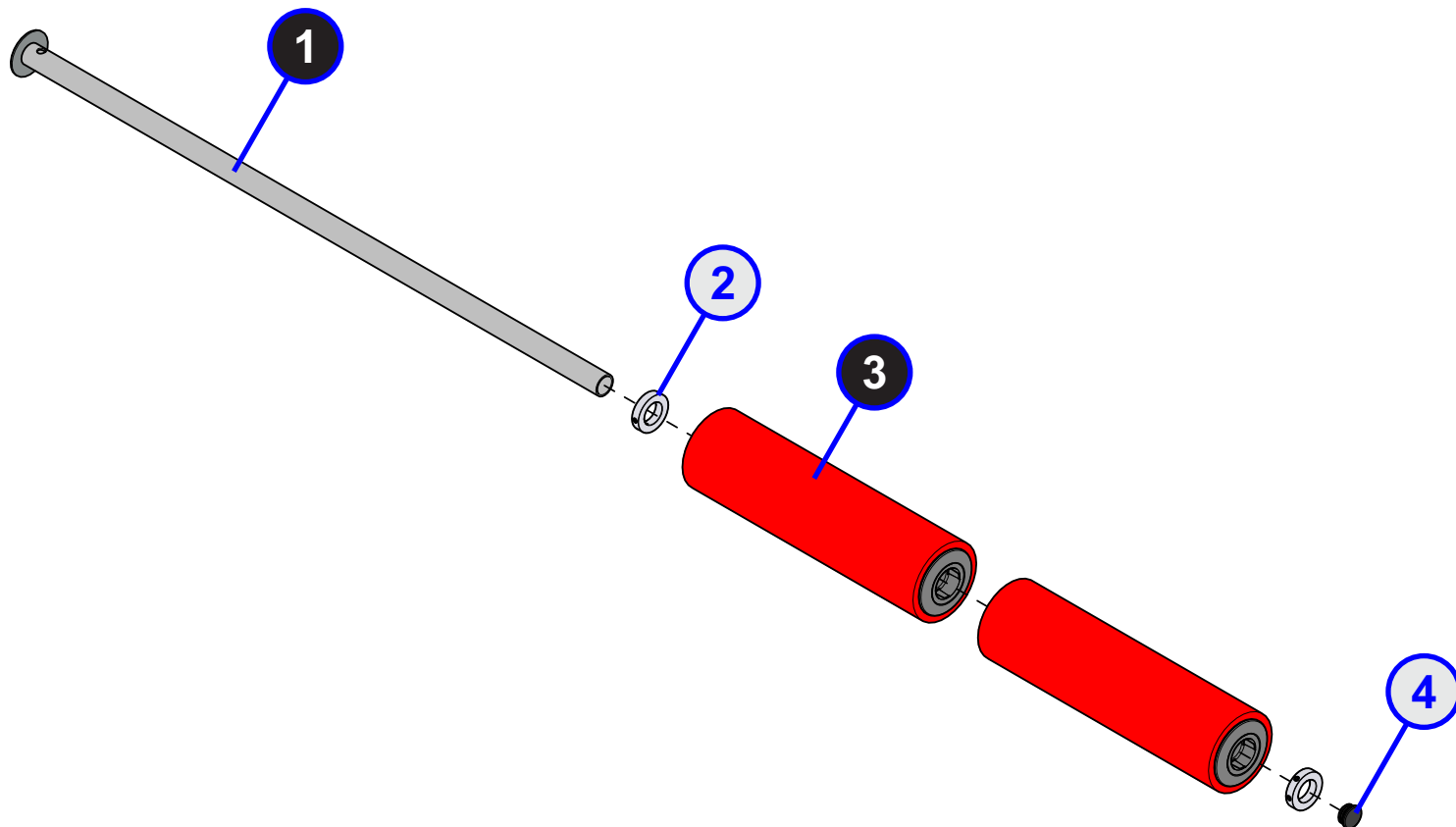


ITEM NO.	QTY.	PART NO.	DESCRIPTION
1	1	9223101	LABEL, MAX CAPACITY, 200 LB -ALL
2	1	9212600	WLDMT, HDE, BAND PEG, LT
3	5	H-HPLUG(REG)	H-PLUG 9-16
4	1	3119306	CAP, END 1-1/2 DIA, 8-12GA

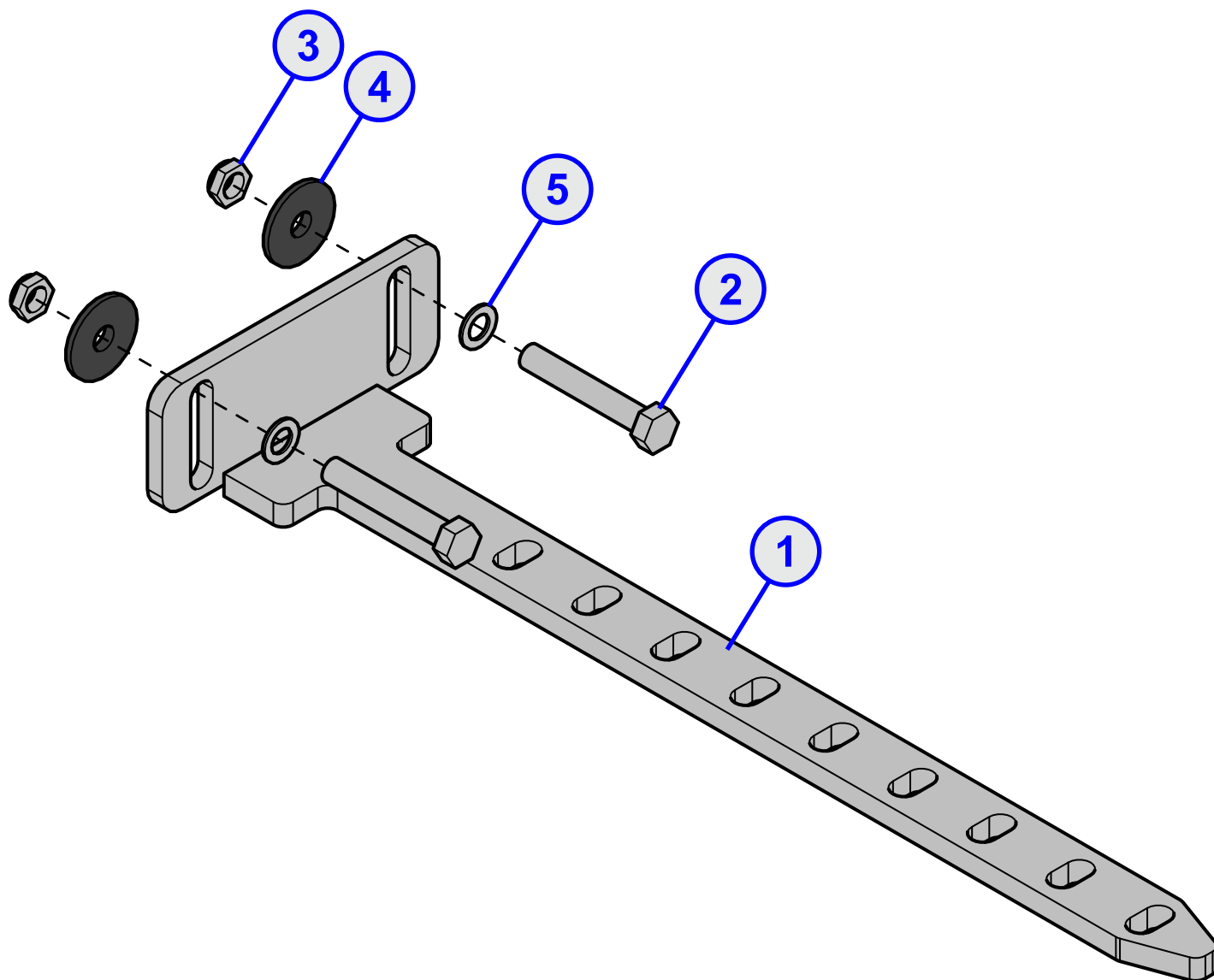


ITEM NO.	QTY.	PART NO.	DESCRIPTION
1	1	9223101	LABEL, MAX CAPACITY, 200 LB -ALL
2	1	9212900	WLDMT, HDE, BAND PEG, RT
3	5	H-HPLUG(REG)	H-PLUG 9-16
4	1	3119306	CAP, END 1-1/2 DIA, 8-12GA

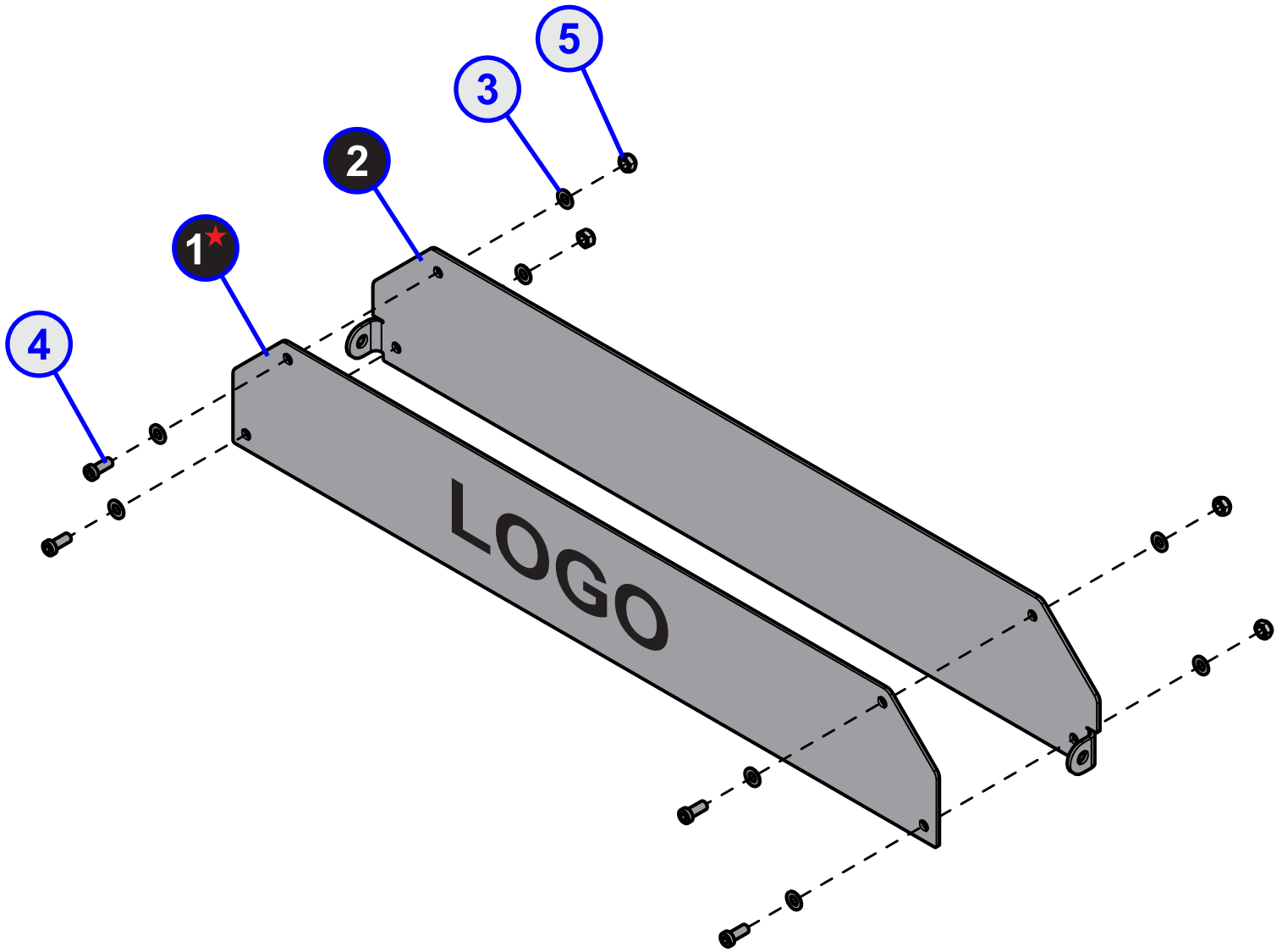




ITEM NO.	QTY.	PART NO.	DESCRIPTION
1	1	9139700	WLDMT, HDESLS
2	2	7357901	SHAFT COLLAR, 1-1/2" ID ALUM
3	2	7392801	ASSY, ROLLER PAD - LONG
4	1	3119306	CAP, END 1-1/2 DIA, 8-12GA

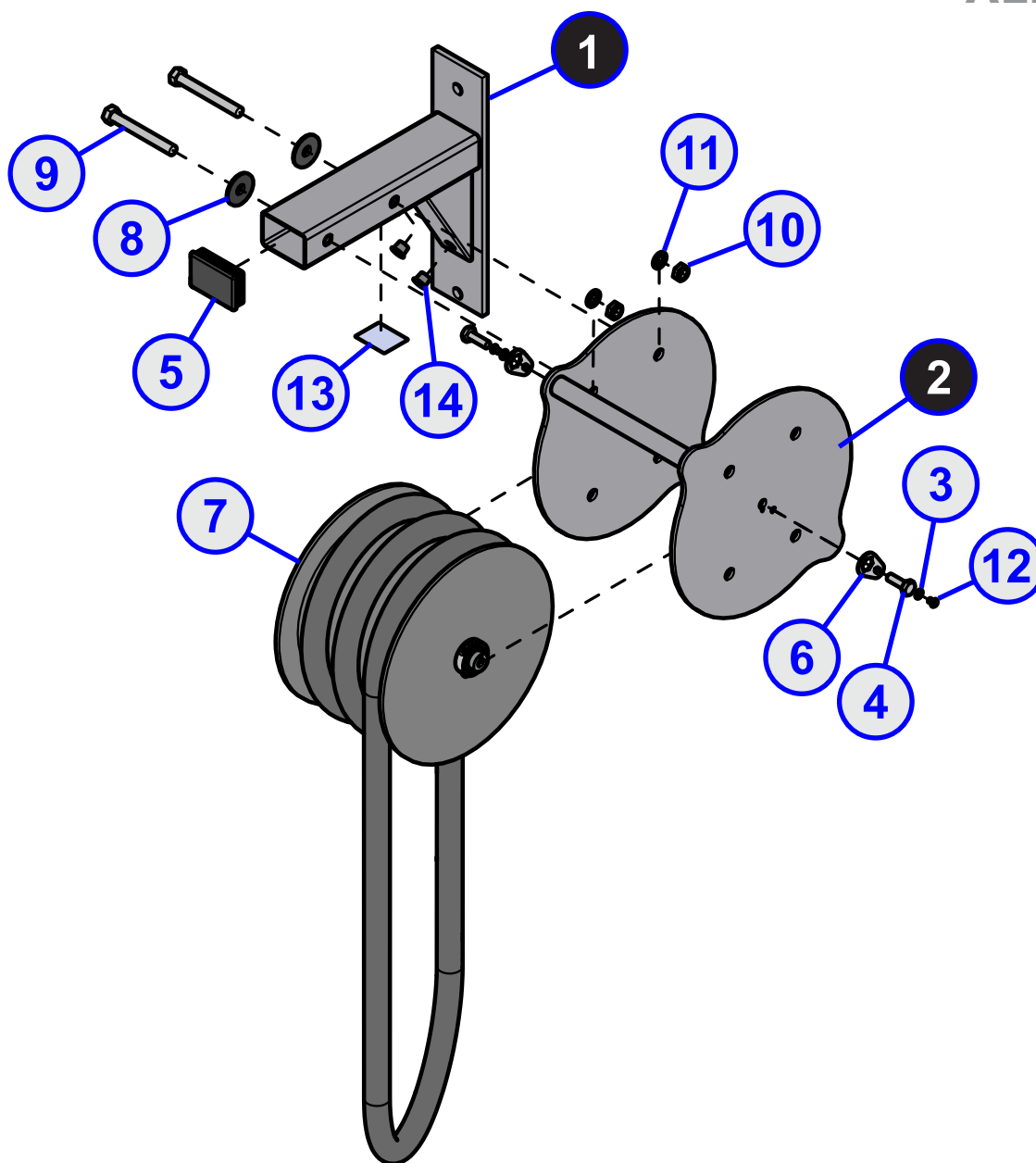


ITEM NO.	QTY.	PART NO.	DESCRIPTION
1	1	9125100	WLDMT, DOCK-LOCK
2	2	HHB.5X3.5	1/2" X 3-1/2 BOLT
3	2	NUT.5LOCK	1/2" THICK LOCK NUT
4	2	H-BACK-WASH	BACKING WASHER
5	2	WASH.5STAR	1/2" INTERNAL LOCK WASHER

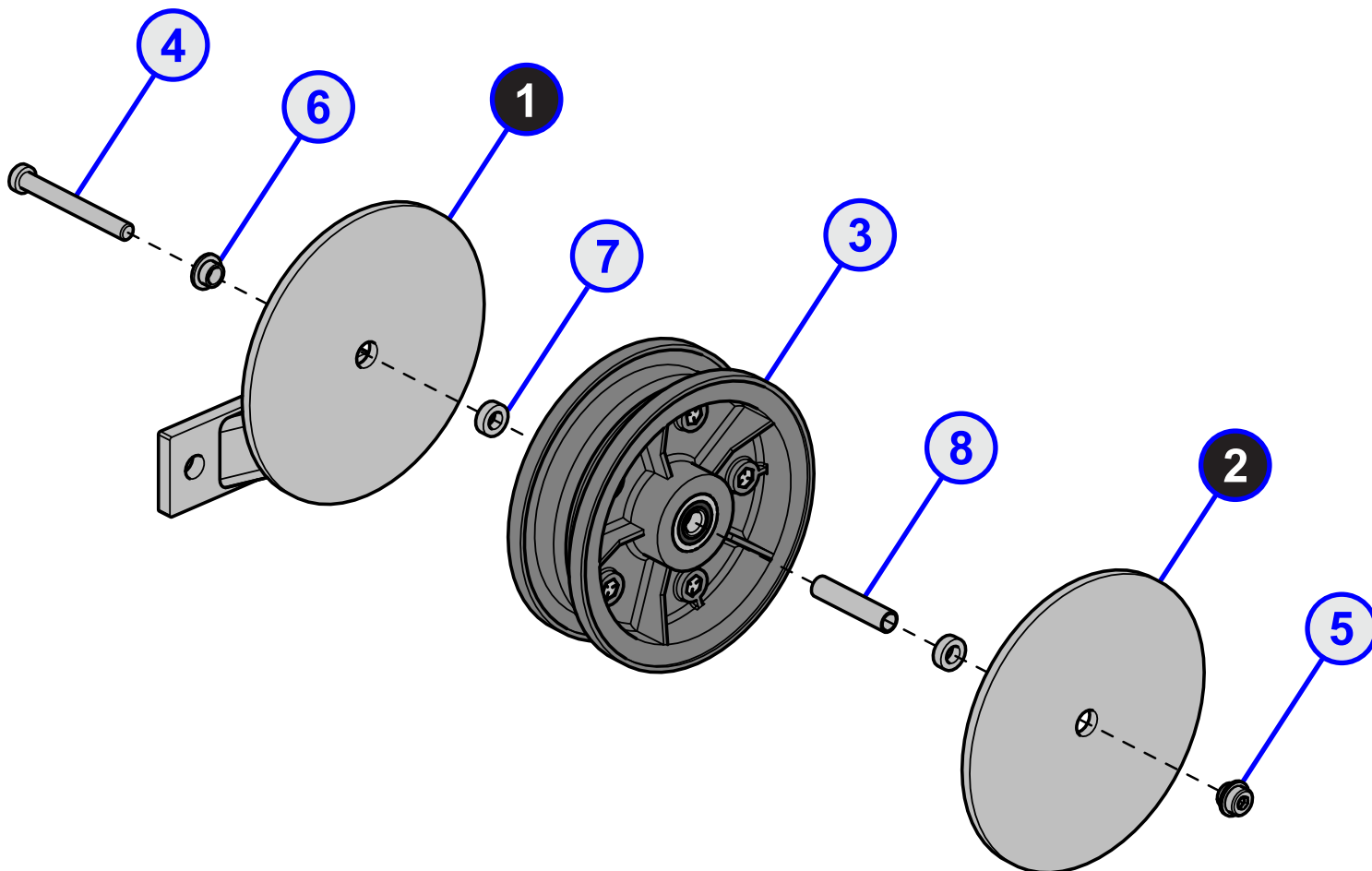


ITEM NO.	QTY.	PART NO.	DESCRIPTION
1★	1	1000615-0001	PLATE, HDL, BRANDING BLANK
2	1	1000613-0001	PLATE, HDL, BRANDING BACKER
3	8	WASH.375SAE	3/8" SAE FLAT WASHER
4	4	3236202	SCREW, M10 X1.5 25MM
5	4	3236801	NUT, M10 HEX NYLOCK SS

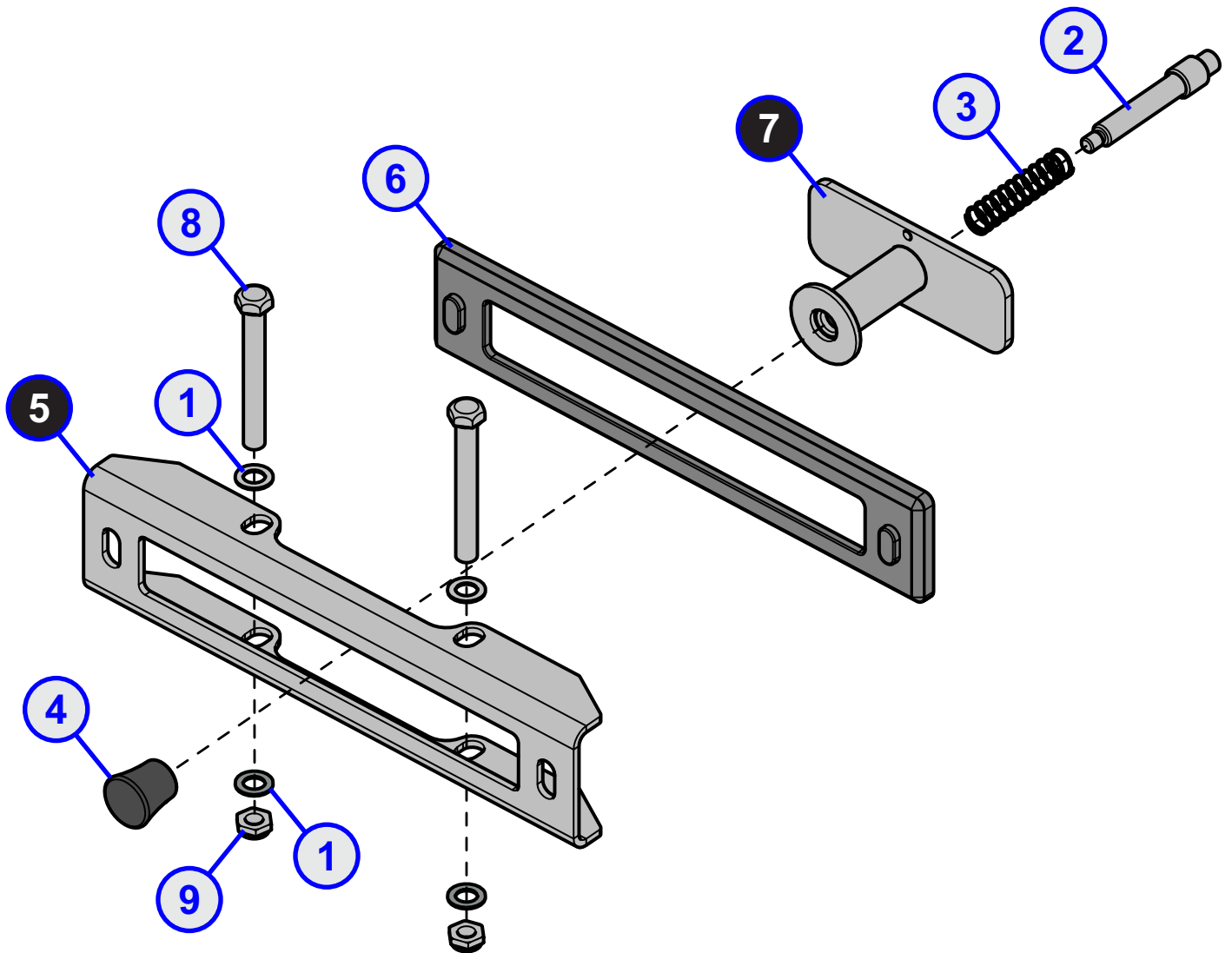
★ CUSTOM ITEM; REFER TO ORIGINAL PO



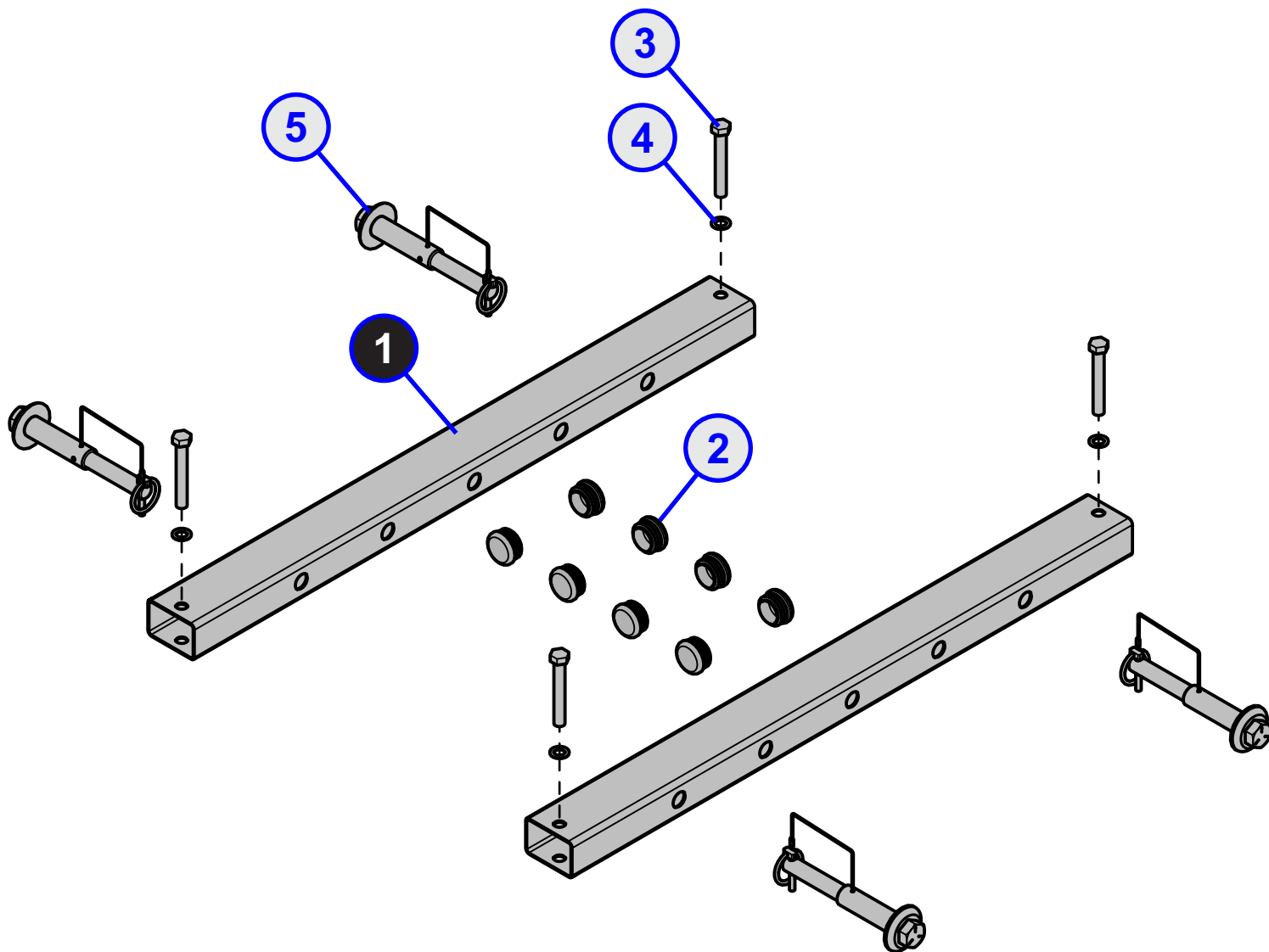
ITEM NO.	QTY.	PART NO.	DESCRIPTION
1	1	1002063-0000	WLDMT, HDL, ROPE PULL
2	1	1002064-0000	WLDMT, HDL, ROPE PULL
3	2	3264101	WASHER, M6
4	2	3270507	SCREW, M10 X 1.5 - 30MM, HEX HD
5	1	6692601	CAP, END 3 X 2 10-14GA
6	2	8852201	SHEET, BOLT RETAINER
7	1	9578801	ASSY, FXT, ROPE PULL DRUM
8	2	H-BACK-WASH	BACKING WASHER
9	2	HHB.5X4	1/2 X 4 BOLT
10	2	NUT.5JAMLOCK	1/2 THIN LOCK NUT
11	2	WASH.5STAR	1/2" INTERNAL LOCK WASHER
12	2	3252801	M6-1.0 X 8 HXS BUT CS ST ZN
13	1	-	SERIAL NUMBER LABEL
14	2	H-HPLUG(REG)	9/16 IN. HOLE PLUG



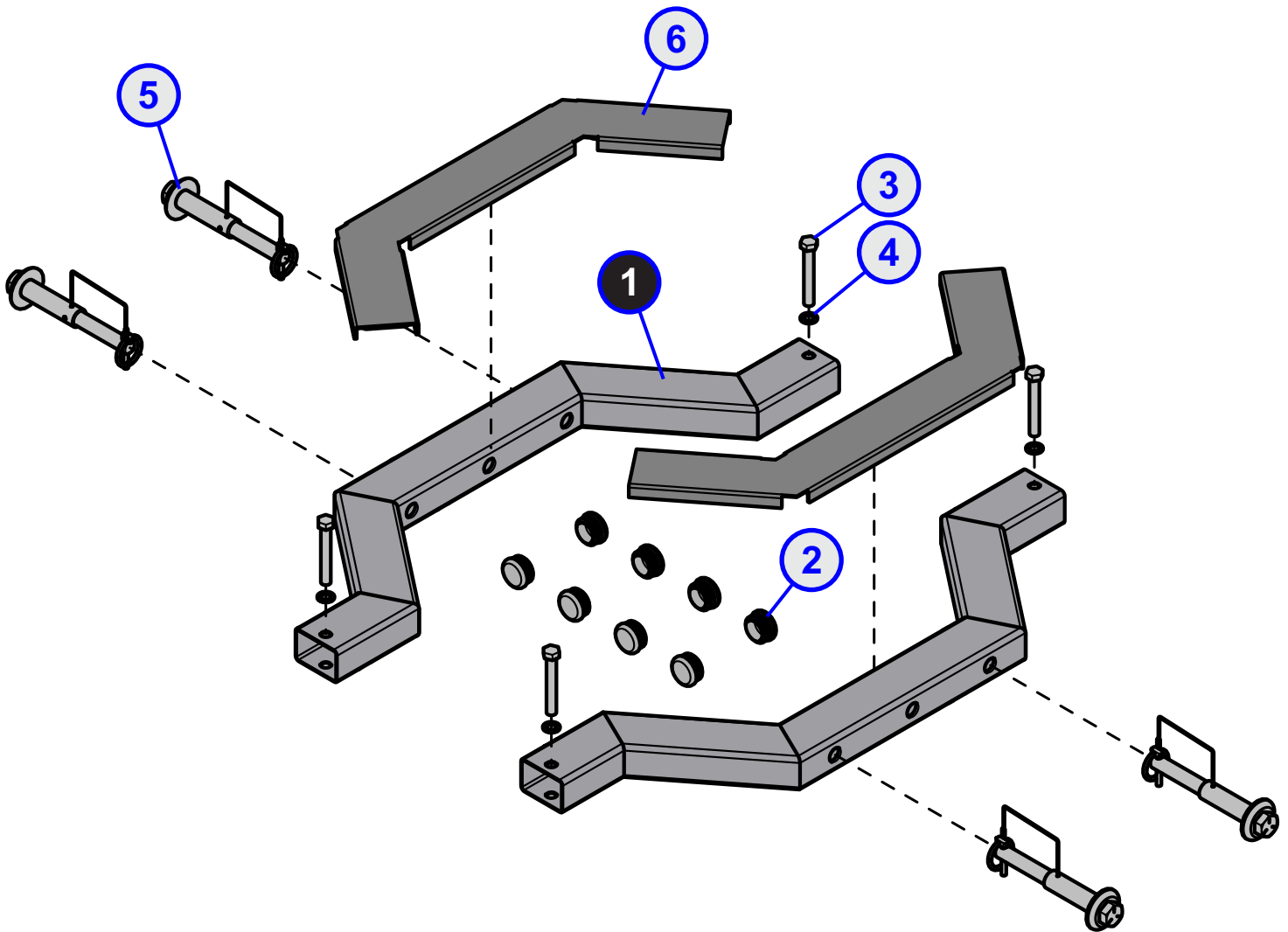
ITEM NO.	QTY.	PART NO.	DESCRIPTION
1	1	1002157-0000	WLDMT, HDL, ROPE PULL, LOW
2	1	1003725-0001	PLATE, ROPE PULL, LOW
3	1	1002264-0001	ASSY, PULLEY, ROPE PULL
4	1	3236214	SCREW, M10 X1.5 85MM
5	1	7335401	NUT, M10 X 1.5 SOCKET HEAD
6	1	7630101	RETAINER, CM/MJ PULLEY
7	2	7385201	SPACER, .406 X .750 X .250
8	1	1004369-0001	BSHNG, ROPE PULL, PULLEY



ITEM NO.	QTY.	PART NO.	DESCRIPTION
1	4	WASH.5STAR	1/2" INTERNAL LOCK WASHER
2	1	7351301	PIN, PULL X 4.375
3	1	7351501	SPRING, PULL PIN LARGE
4	1	8048001	KNOB, TULIP STYLE
5	1	9140601	BRKT, HDE, ADJ BAND PEG
6	1	9124301	GUIDE, HDE, ADJ BAND PEG
7	1	9021800	WLDMT, HDE, ADJ BAND PEG
8	2	3239316	1/2-13 X 4.00 UNS HEX FHB G5 ZN
9	2	3102804	NUT, NYLOCK-JAM 1/2-13 ST ZN

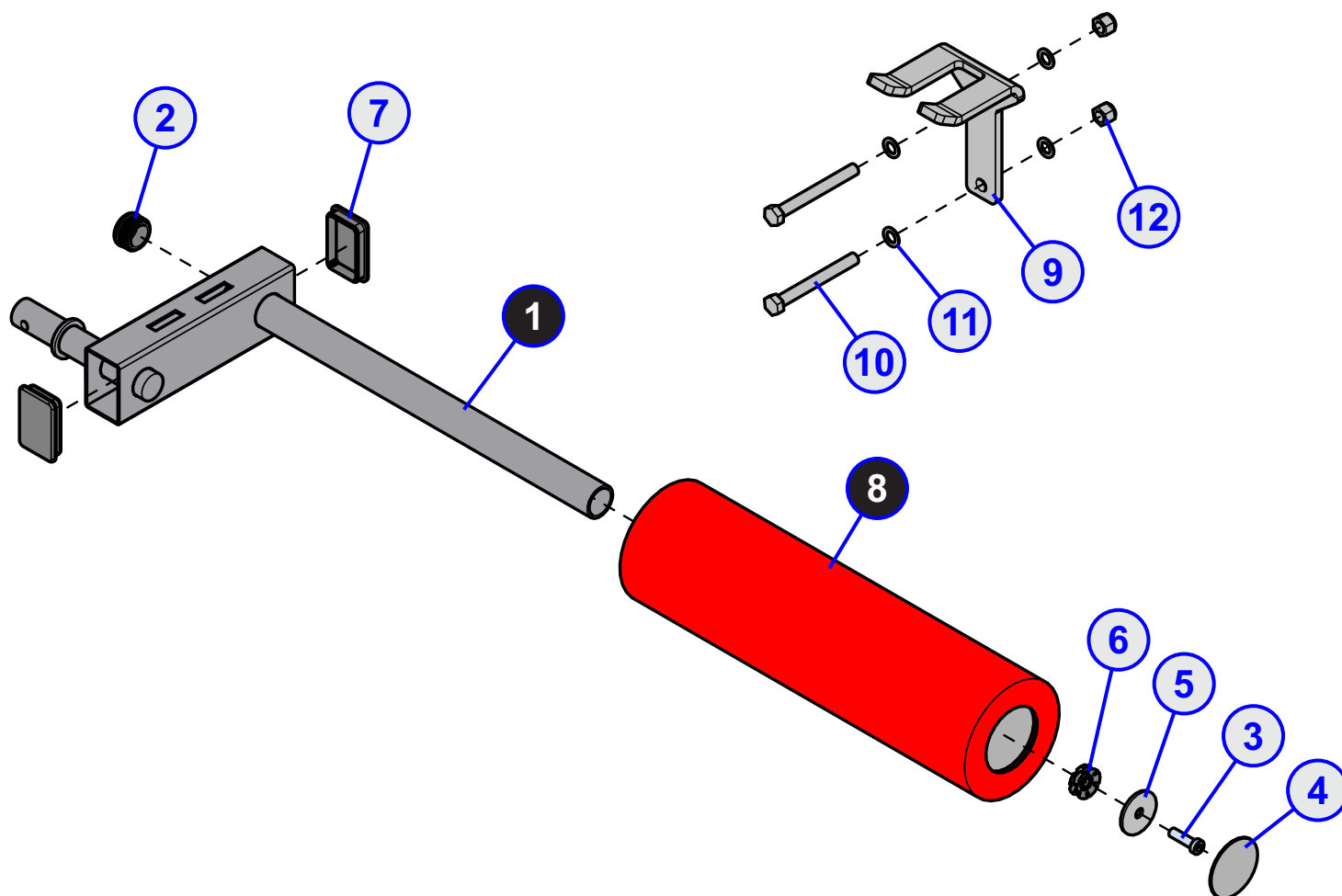


ITEM NO.	QTY.	PART NO.	DESCRIPTION
1	2	1006653-0000	TUBE: HDLPBP
2	8	3119307	CAP, END ROUND
3	4	HHB.5X3.5	1/2 X 3 1/2 BOLT
4	4	WASH.5STAR	1/2" INTERNAL LOCK WASHER
5	2	1002657-0001	ASSY, BAND PEG, SRT, SET

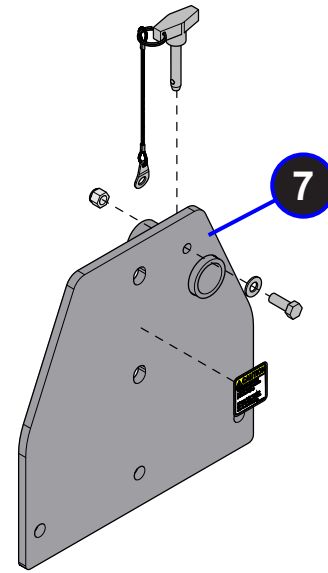
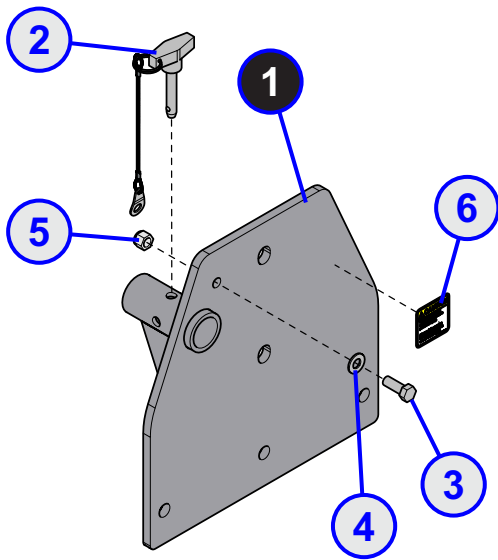


ITEM NO.	QTY.	PART NO.	DESCRIPTION
1	2	1006776-0000	WLDMT: HDLPSBP
2	8	3119307	CAP, END ROUND
3	4	HHB.5X3.5	1/2 X 3 1/2 BOLT
4	4	WASH.5STAR	1/2" INTERNAL LOCK WASHER
5	2	1002657-0001	ASSY, BAND PEG, SRT, SET
6	2	8797500	ASSY, HDE SUMO PAINT GUARD



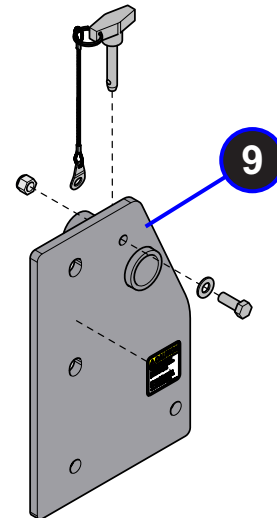
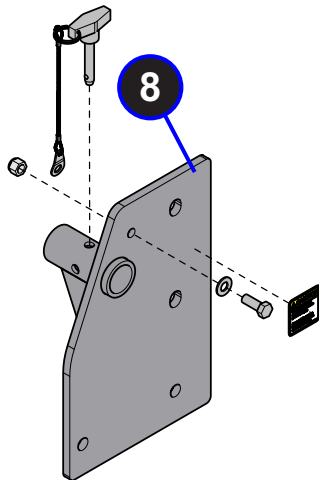


ITEM NO.	QTY.	PART NO.	DESCRIPTION
1	1	1006733-0000	WLDMT: WORK ARM, HDL-NH
2	1	3119306	CAP, END 1.50 DIA RD 8-12 GA
3	1	3236209	SCREW, SCREW, M10 X1.5 60MM
4	1	7308701	CAP, BEARING HOUSING
5	1	7322301	PLATE, 1.97 OD X .44 ID 10GA
6	1	7347301	NUT, SPIDER M10 X 1.5
7	2	7352301	CAP, END 2 X 3
8	1	73928XX	ASSY, ROLLER PAD LONG
9	1	1006724-0000	BRACKET: STORAGE, HDL-NH
10	2	HHB.5X4.5	1/2 X 4 1/2 BOLT
11	4	WASH.5STAR	1/2" INTERNAL LOCK WASHER
12	2	NUT.5LOCK	1/2 DIA THICK LOCK NUT

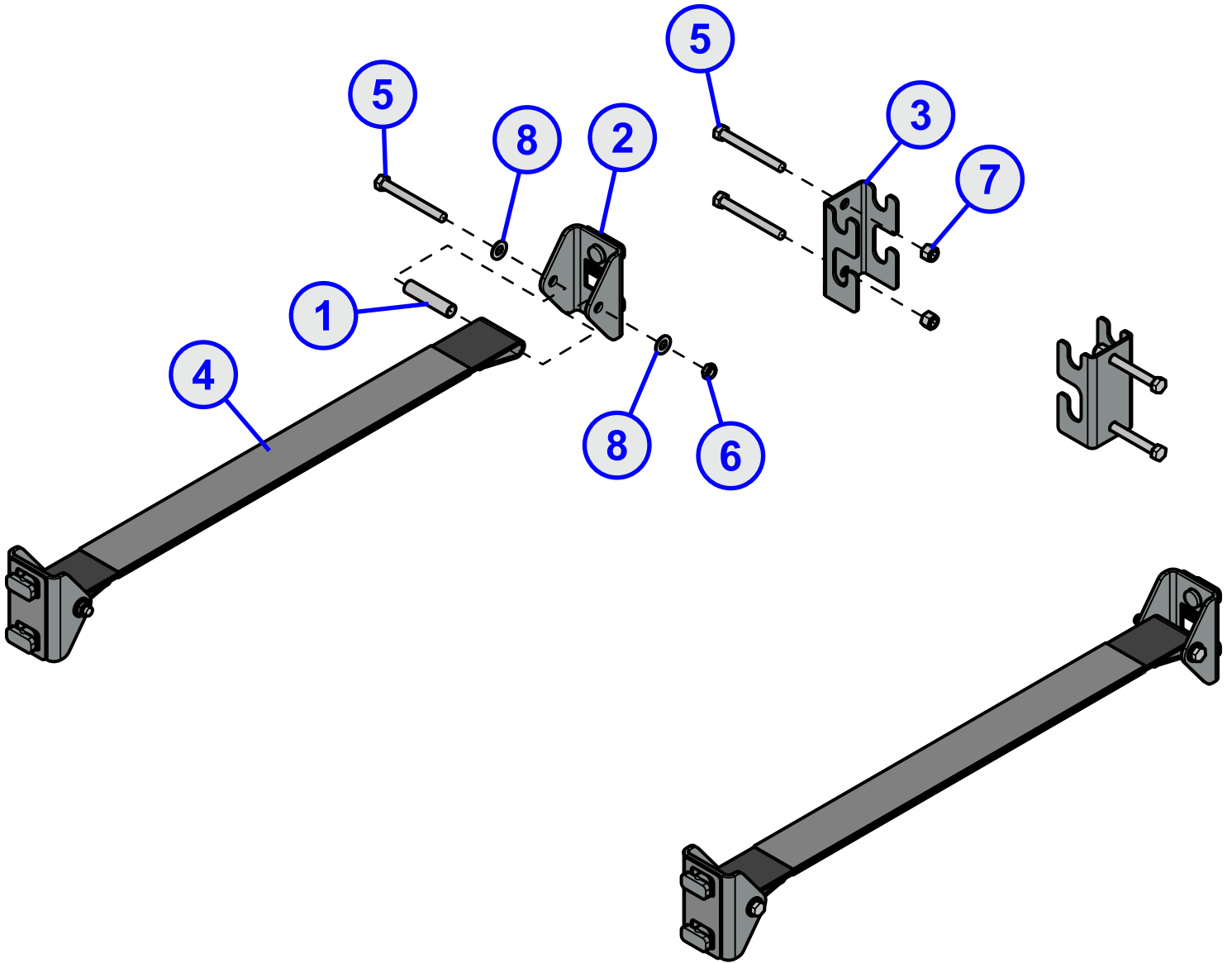


HRL/MR/PR

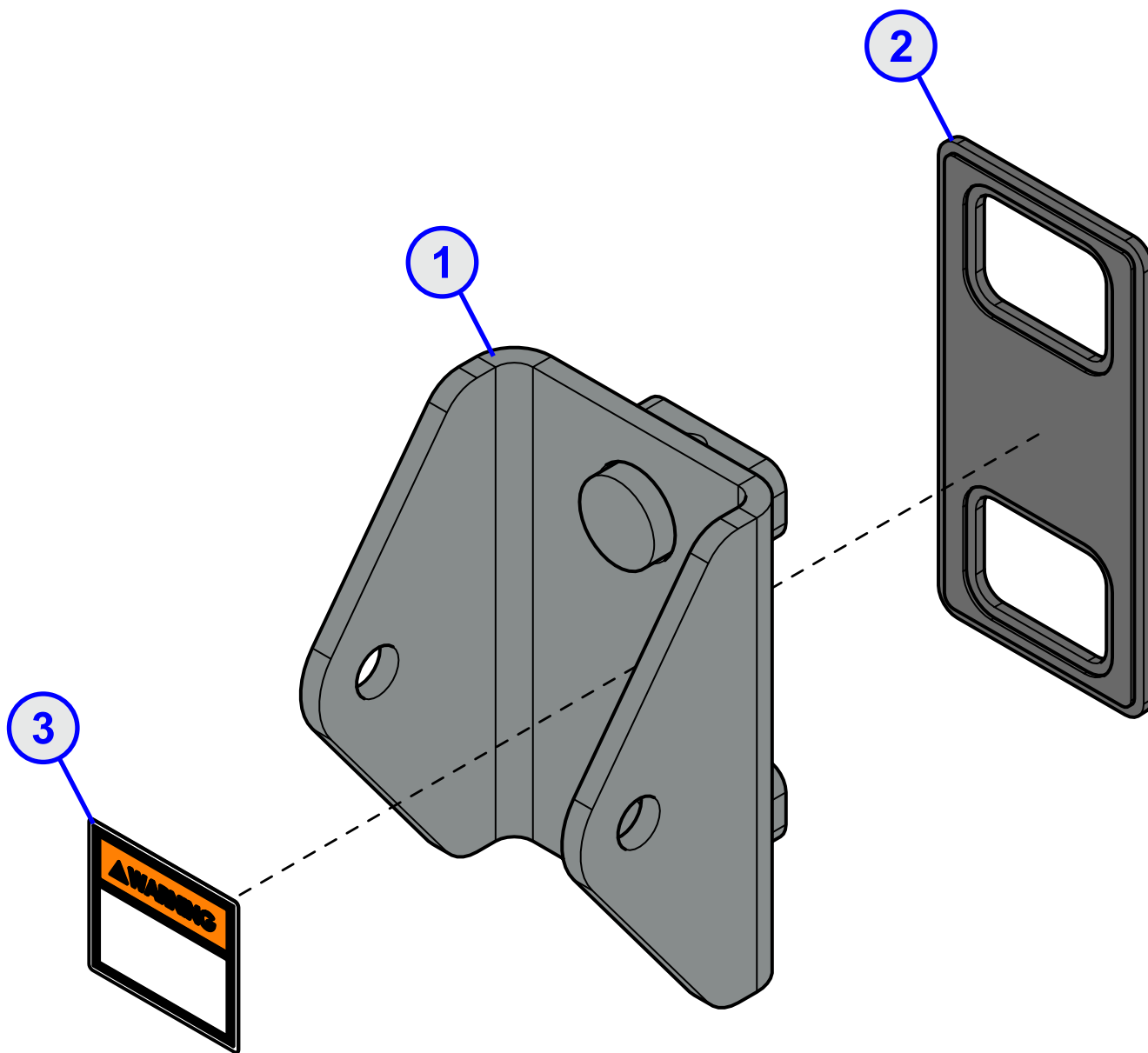
HRS/PR



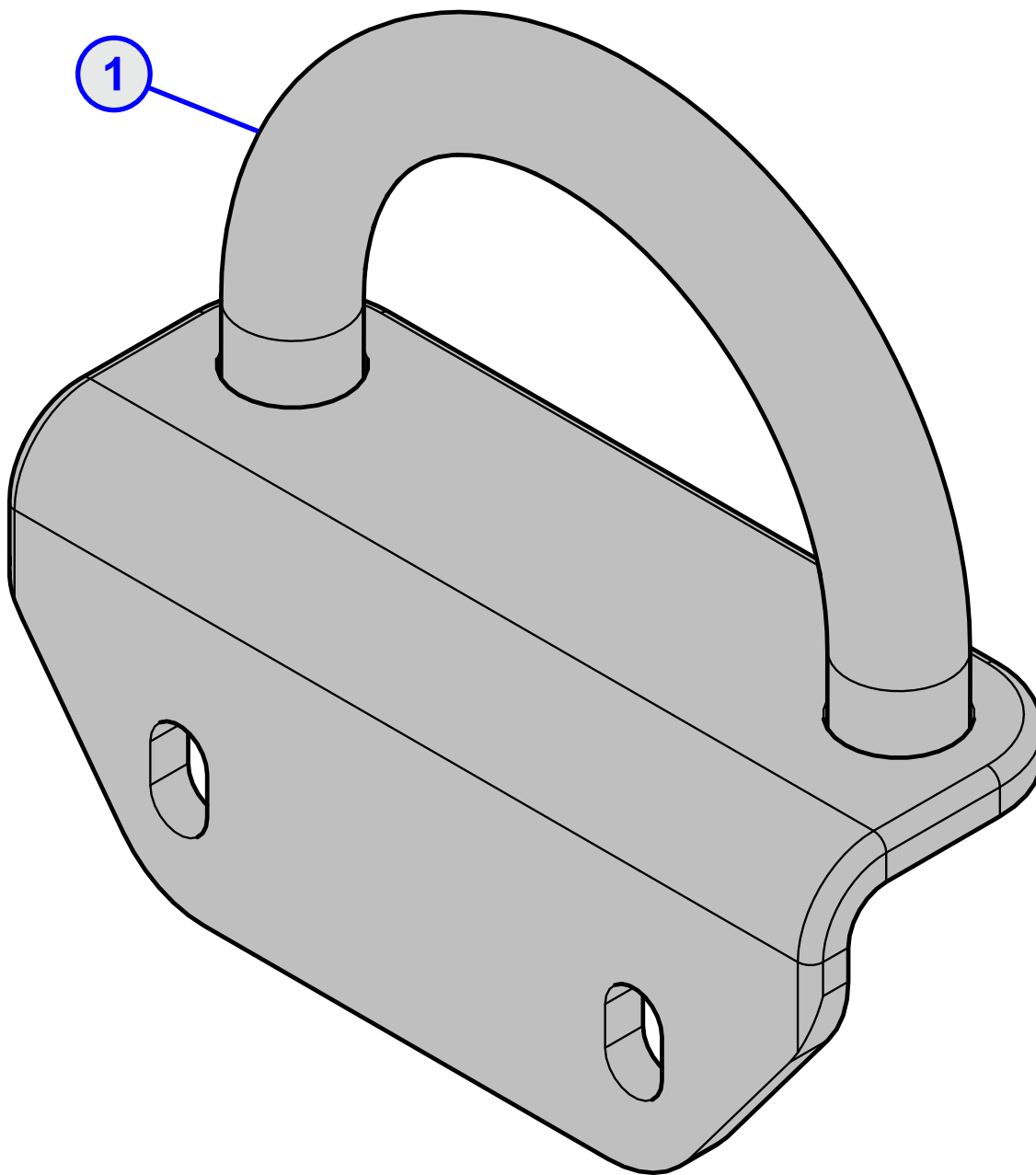
ITEM NO.	QTY.	PART NO.	DESCRIPTION
1	1	1007272-0000	WLDMT: LEFT, HDL-ANVL-LB
2	1	SELECTORPIN-2	SELECTOR PIN 1.7 IN. W/LANYARD
3	1	HHB.375X1	STEEL BOLT 3/8 X 1
4	1	WASH.375SAE	3/8" SAE FLAT WASHER
5	1	NUT.375LOCK	3/8 THICK LOCK NUT
6	1	8500-025-4	DECAL: CAUTION
7	1	1007271-0000	WLDMT: RIGHT, HDL-ANVL-LB
8	1	1006739-0000	WLDMT: LEFT, HDL-ANVL-SB
9	1	1006738-0000	WLDMT: RIGHT, HDL-ANVL-SB



ITEM NO.	QTY.	PART NO.	DESCRIPTION
1	4	1001972-0002	SPACER: 3/4 OD, 3-1/4
2	4	1006916-0000	ASSEMBLY: HDLPR-FBC, BRKT
3	2	1006951-0001	BRACKET: HDLPR-FBC, STORAGE
4	2	1007083-0001	STRAP: FBC, PR
5	8	HHB.5X4.5	1/2 X 4 1/2 BOLT
6	4	NUT.5JAMFINE	1/2IN JAM NUT FINE
7	4	NUT.5LOCK	1/2 DIA THICK LOCK NUT
8	8	WASH.5SAE	1/2" SAE FLAT WASHER



ITEM NO.	QTY.	PART NO.	DESCRIPTION
1	1	1006675-0000	WLDMT: HDLPR-FBC, BRKT
2	1	1006917-0001	GUARD: PAINT, 2-3/4 X 5-1/2
3	1	1006928-0001	LABEL: HDLPR-FBC, OFFSET

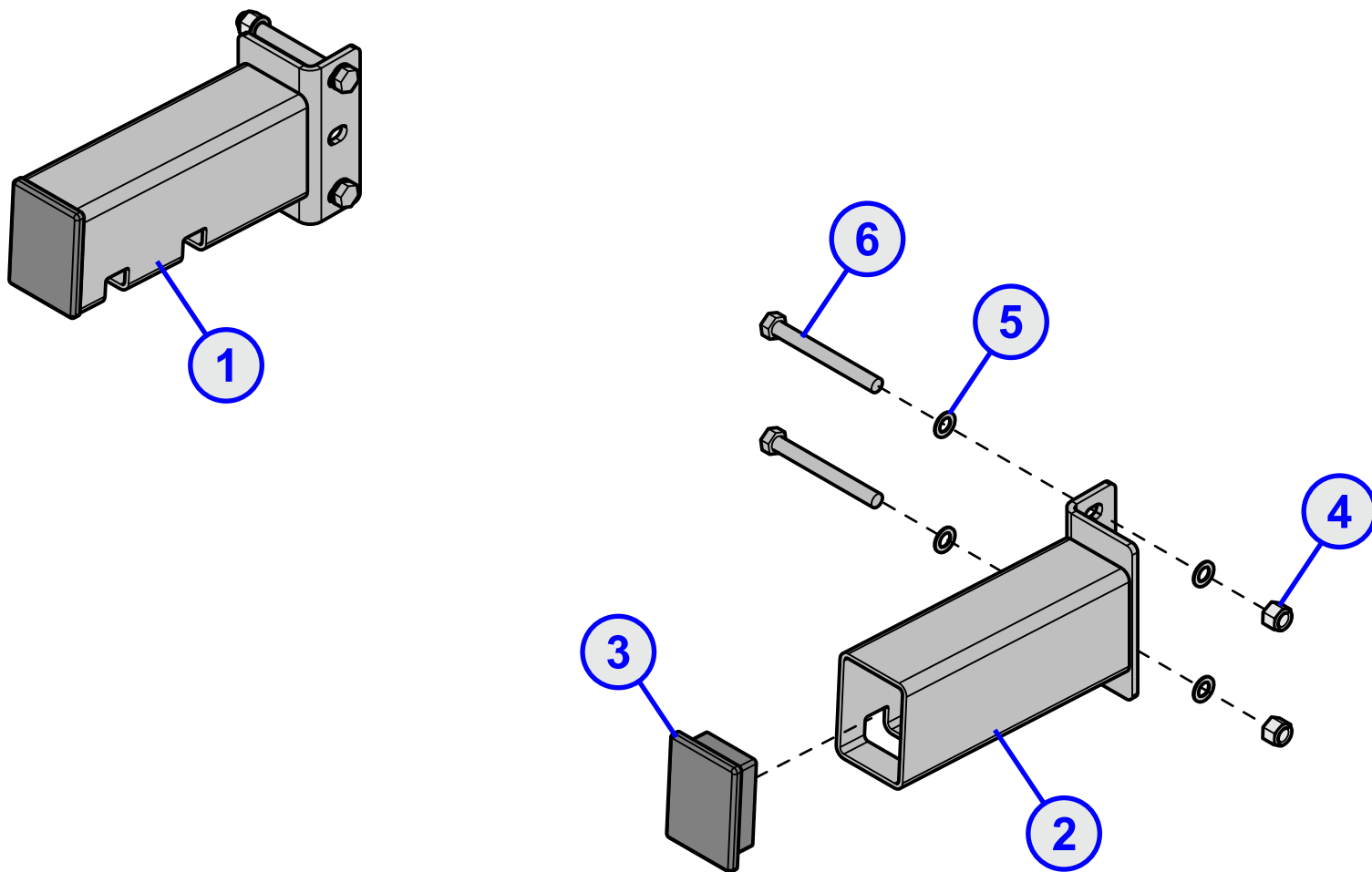


ITEM NO.	QTY.	PART NO.	DESCRIPTION
1	1	9165501	WLDMT, HDE BATTLE ROPE

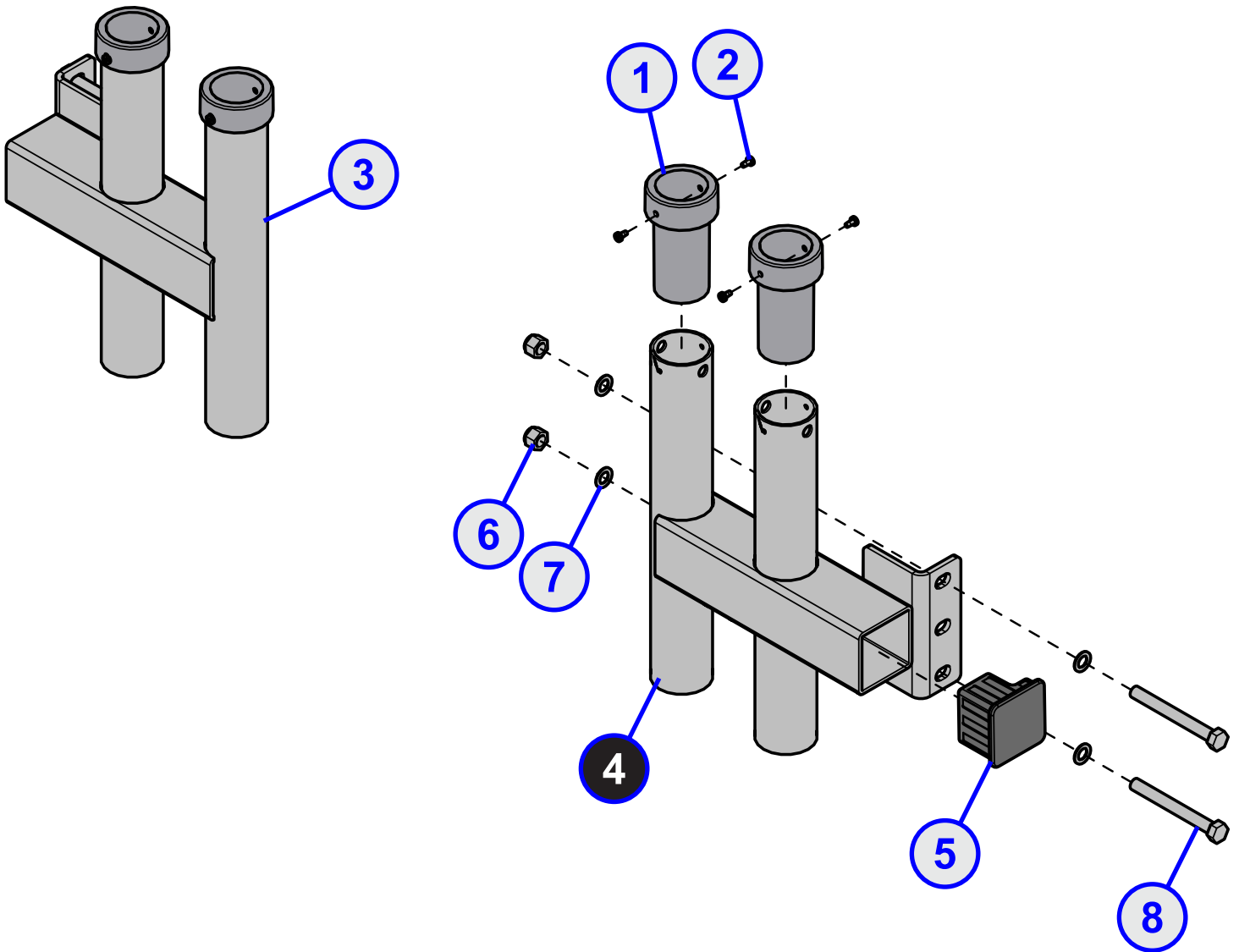
# HD ELITE

## HALF RACK BAR CATCH STORAGE

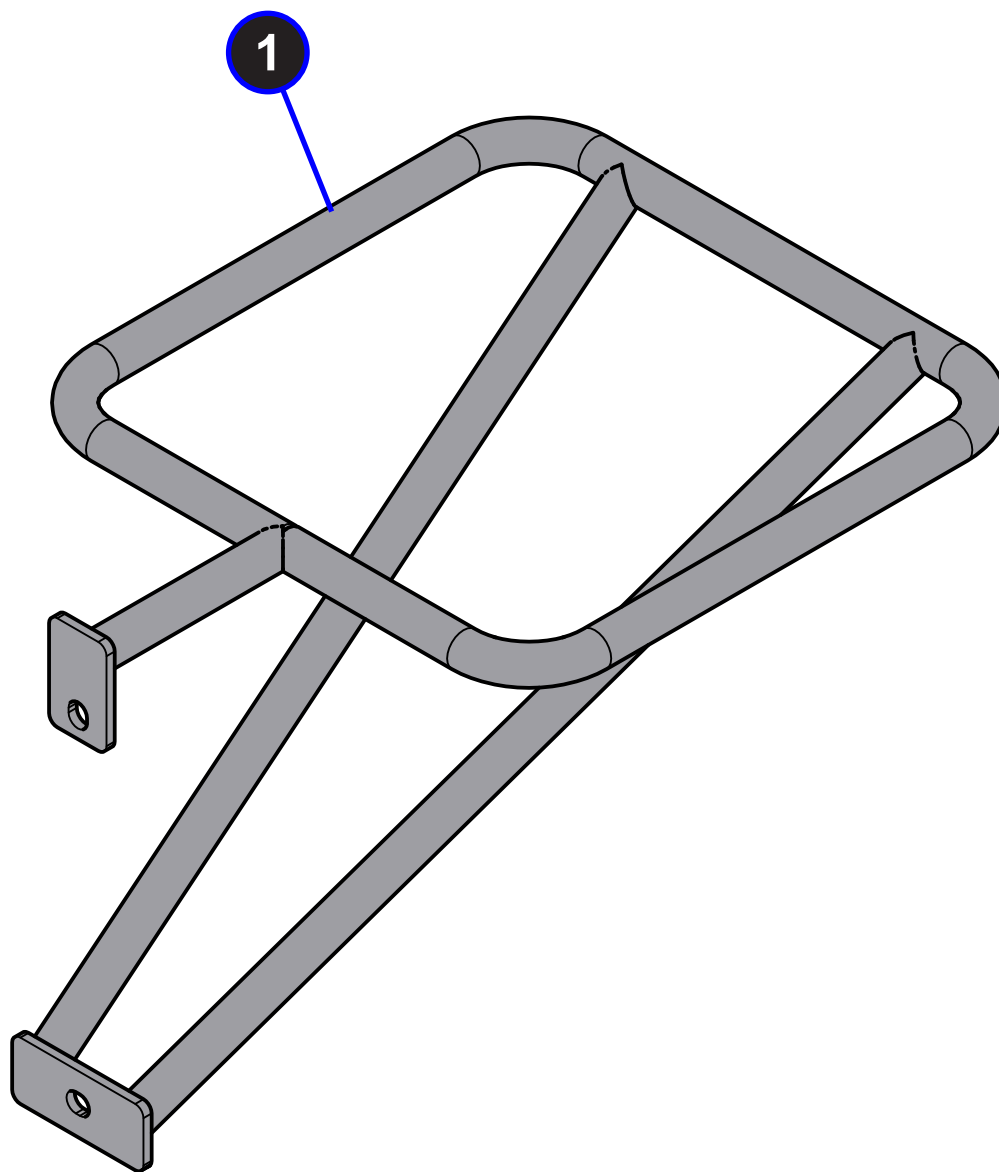
ALL HDL



ITEM NO.	QTY.	PART NO.	DESCRIPTION
1	1	9191993	WLDMT, HDEHRBS, RT
2	1	9188293	WLDMT, HDEHRBS, LT
3	2	9043101	CAP, END 3 X 4
4	4	NUT.5LOCK	1/2 DIA THICK LOCK NUT
5	8	WASH.5STAR	1/2" INTERNAL LOCK WASHER
6	4	0017-00101-1579	1/2 X 4 1/2 BOLT

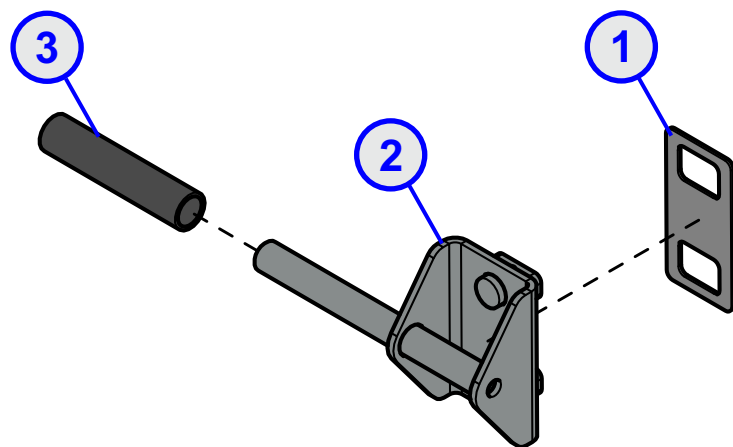
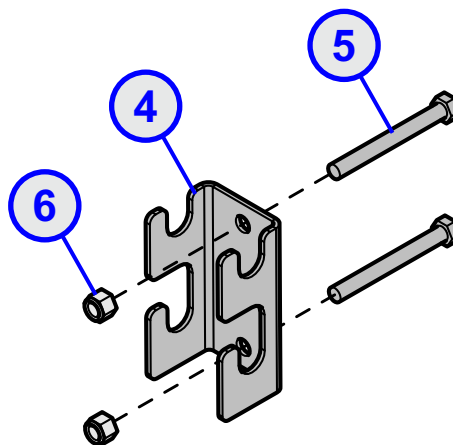
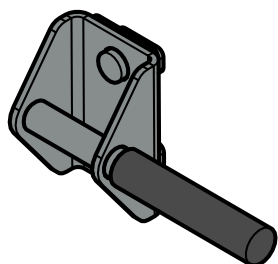


ITEM NO.	QTY.	PART NO.	DESCRIPTION
1	4	9045101	CAP, HDE, LANDMINE, WORK ARM
2	8	3270601	SCREW, #10-32 X 3/8 TRX PAN ST BZ
3	1	9192900	WLDMT, HDE, BAR STORAGE, LT
4	1	9217300	WLDMT, HDE, BAR STORAGE, RT
5	1	9212801	CAP, 3X3 SQ END
6	4	NUT.5LOCK	1/2 DIA THICK LOCK NUT
7	8	WASH.5STAR	1/2" INTERNAL LOCK WASHER
8	4	0017-00101-1579	1/2 X 4 1/2 BOLT

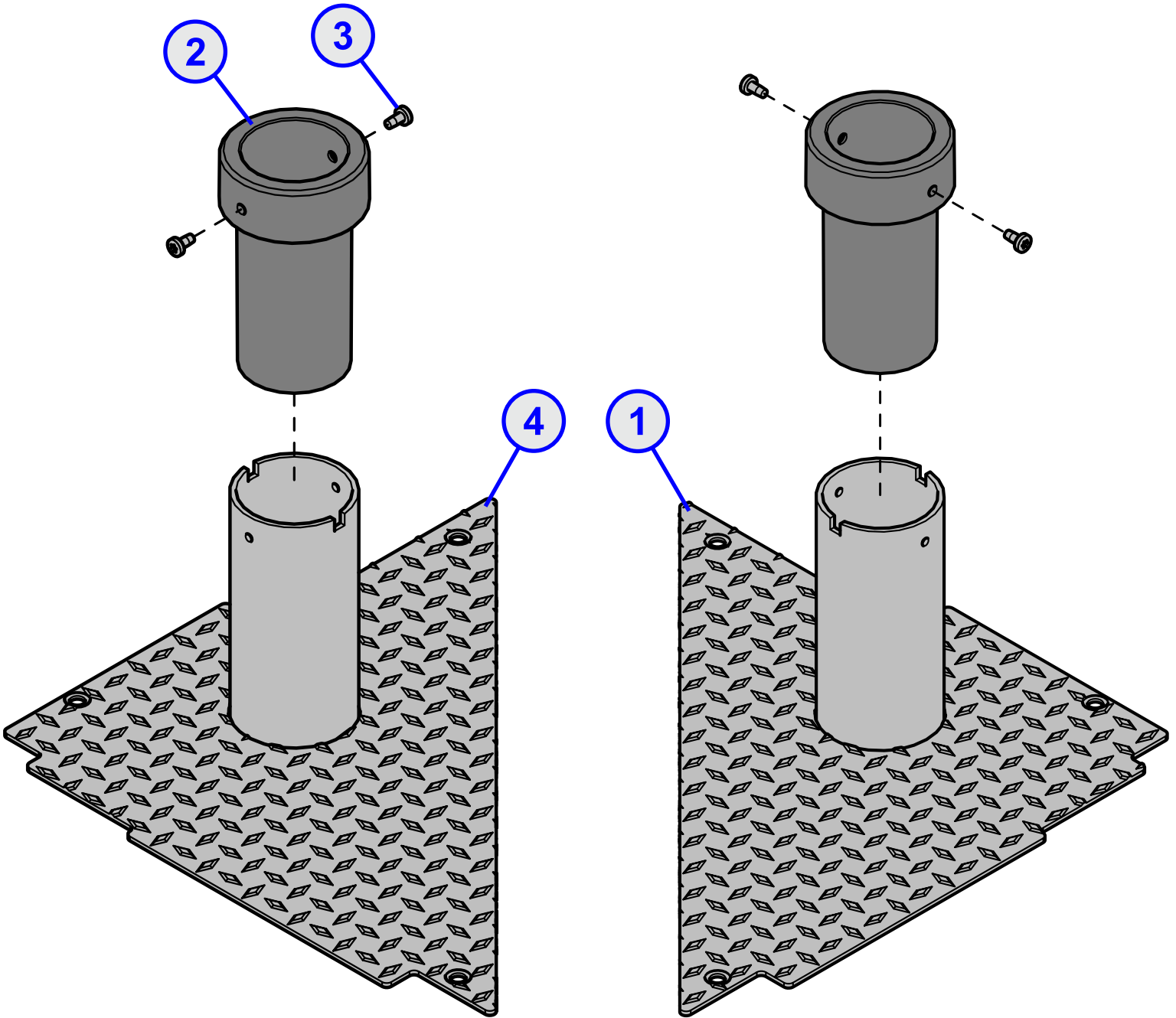


ITEM NO.	QTY.	PART NO.	DESCRIPTION
1	1	9542100	WLDMT, BALL STORAGE

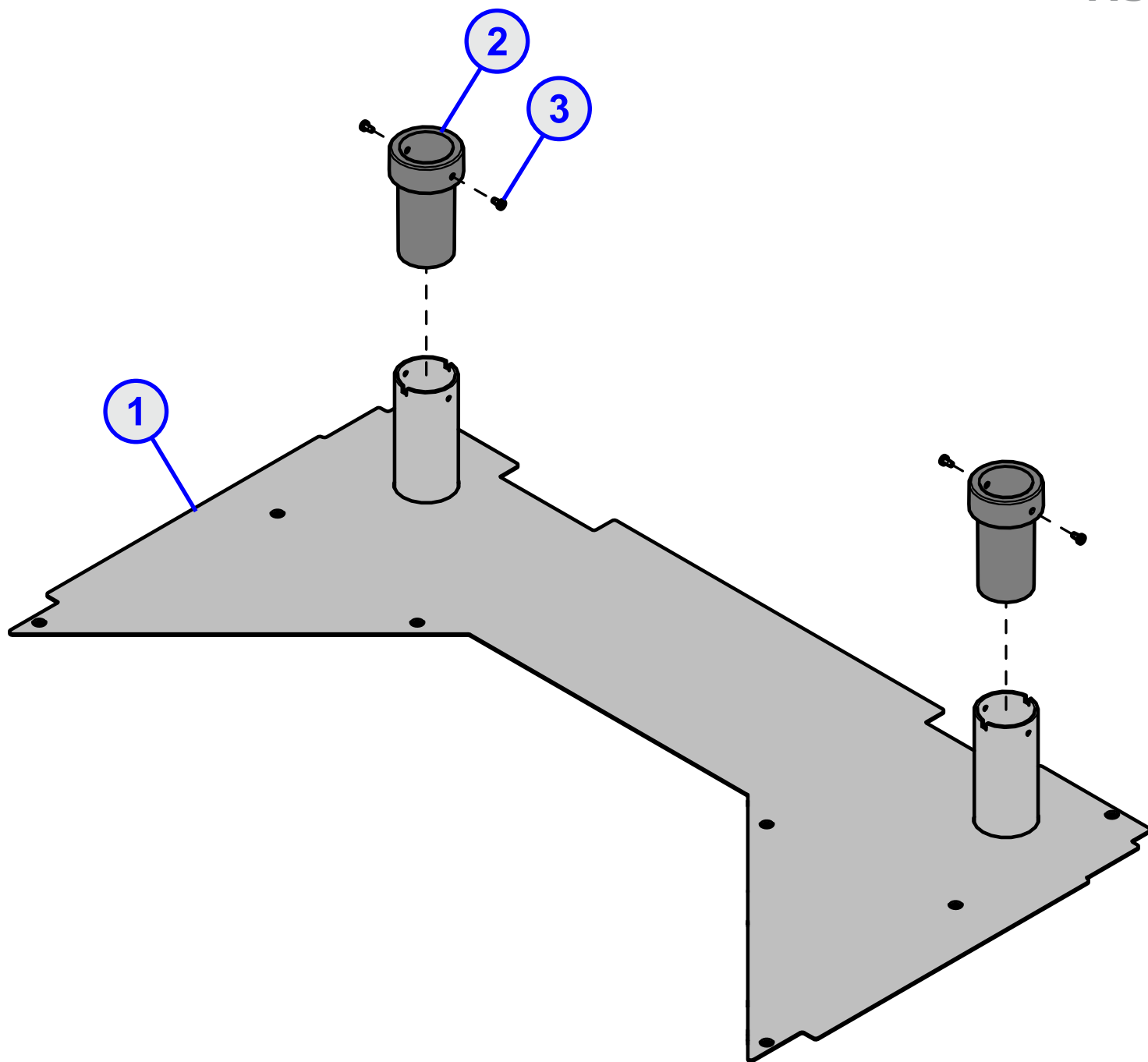




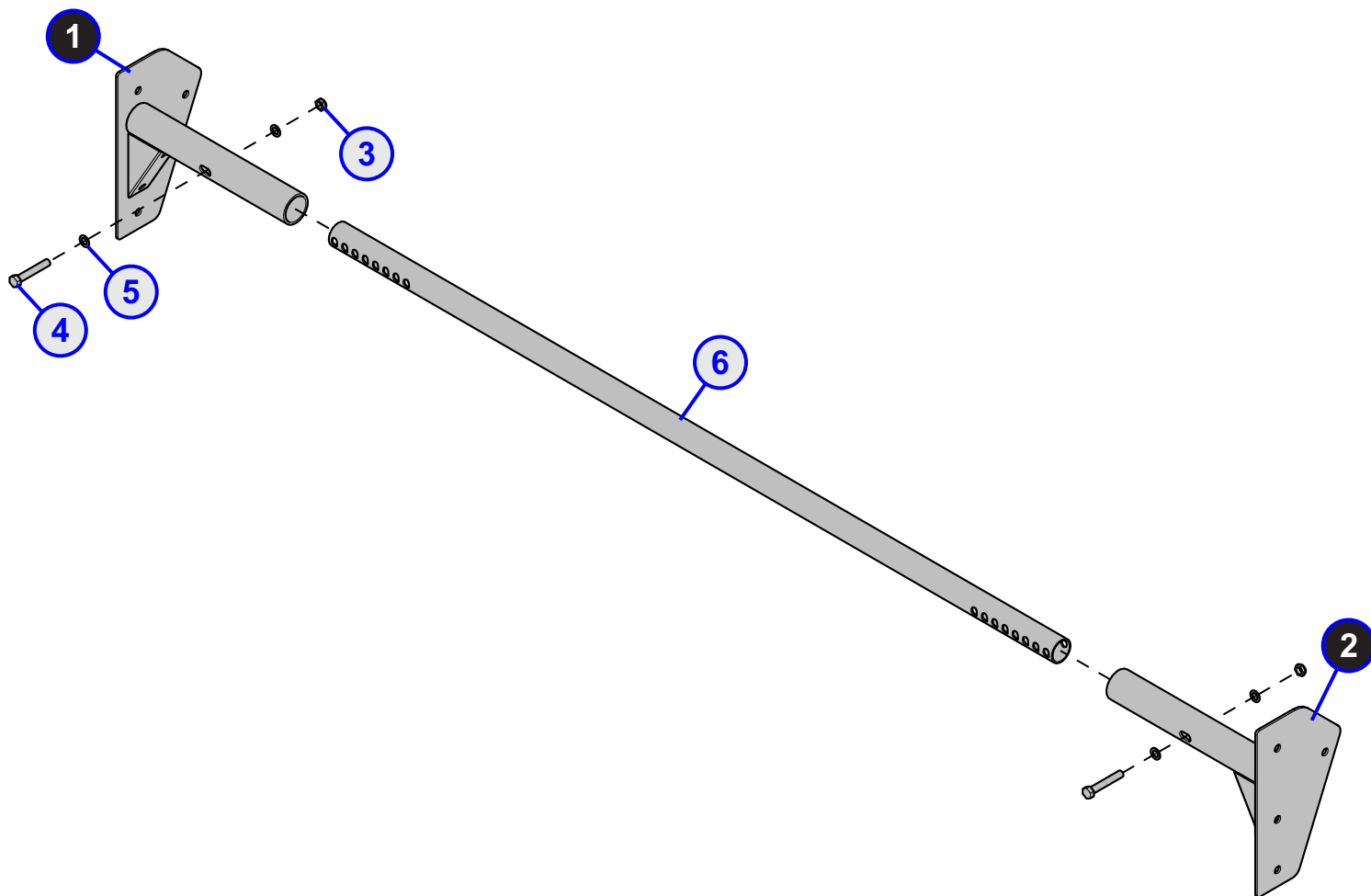
ITEM NO.	QTY.	PART NO.	DESCRIPTION
1	1	1006917-0001	GUARD: PAINT, 2-3/4 X 5-1/2
2	1	1007839-0001	WELDMENT: HDL, SSH
3	1	H-GRIP	HANDLE GRIPS (.938X16)
4	1	1006951-0001	BRACKET: HDLPR-FBC, STORAGE
5	2	HHB.5X4.5	1/2 X 4 1/2 BOLT
6	2	NUT.5LOCK	1/2 DIA THICK LOCK NUT



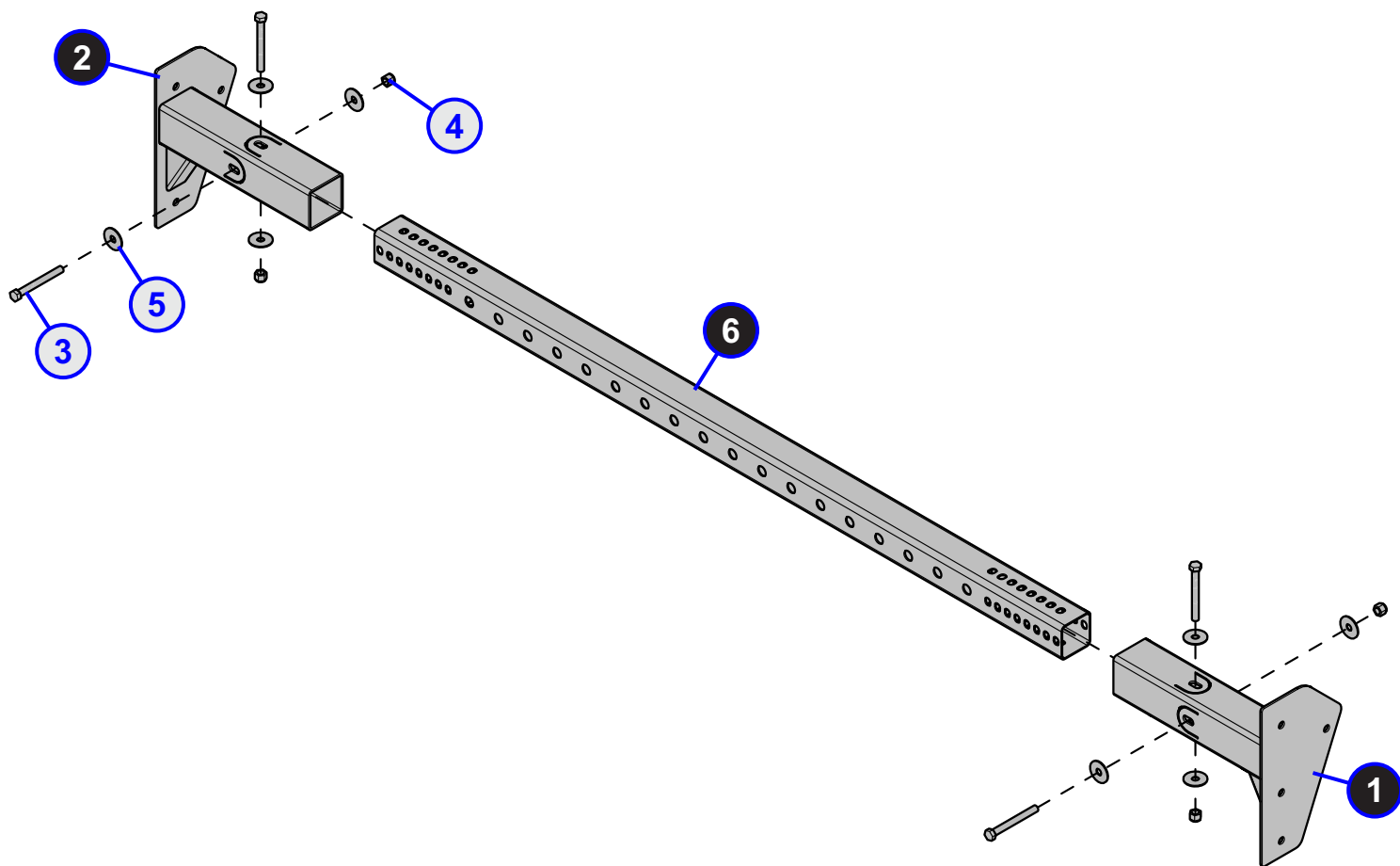
ITEM NO.	QTY.	PART NO.	DESCRIPTION
1	1	9546332	WLDMT, BAR STORAGE -LT
2	2	9045101	CAP, HDE, LANDMINE, WORK ARM
3	4	3270604	SCREW, #10-32 X .25 TRX PAN ST BZ
4	1	9546832	WLDMT, BAR STORAGE -RT



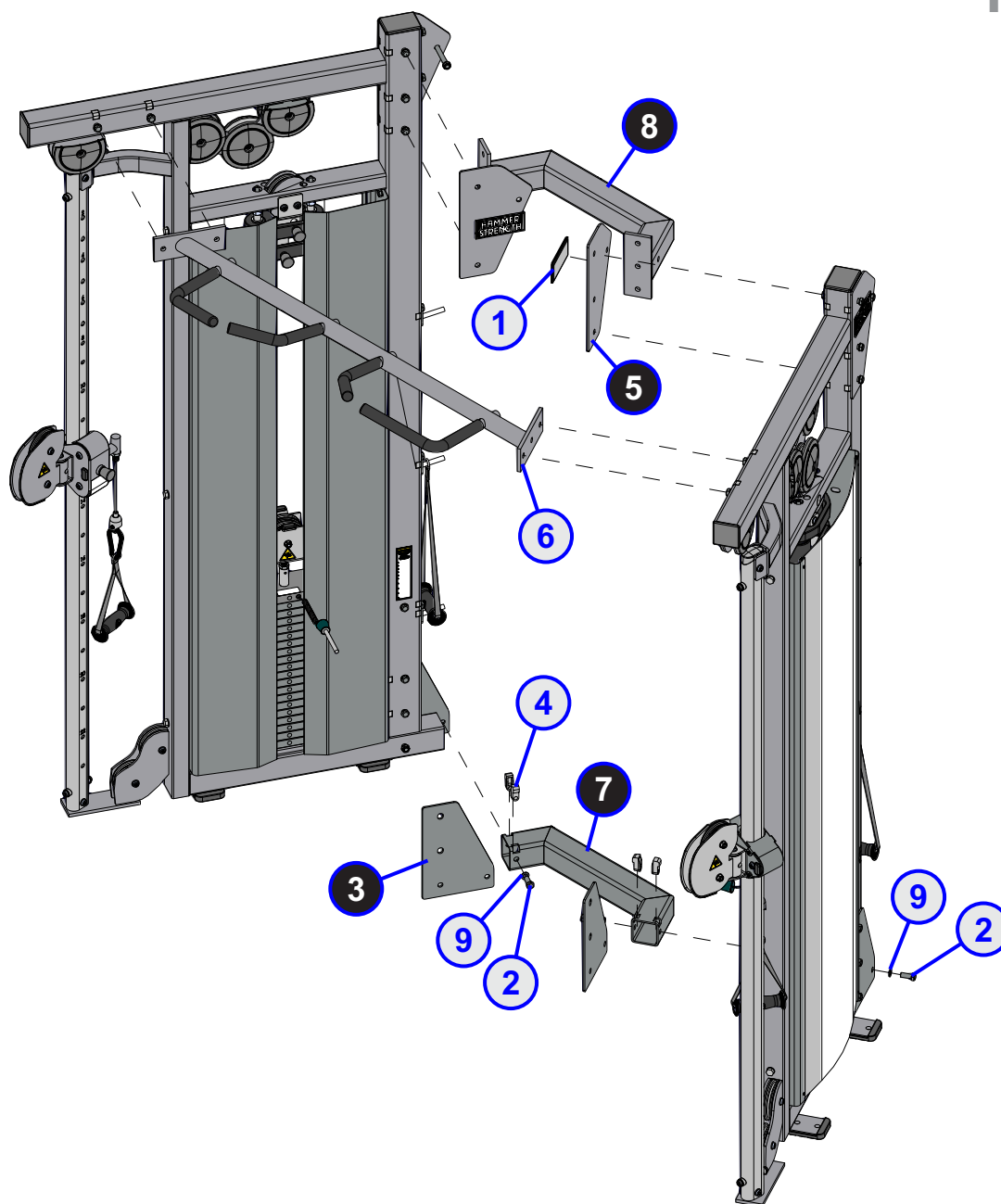
ITEM NO.	QTY.	PART NO.	DESCRIPTION
1	1	9547032	WLDMT, BAR STORAGE MS
2	2	9045101	CAP, HDE, LANDMINE, WORK ARM
3	4	3270604	SCREW, #10-32 X .25 TRX PAN ST BZ



ITEM NO.	QTY.	PART NO.	DESCRIPTION
1	1	9298000	WLDMT, HDL, RACK CONNECTOR, LT
2	1	9298100	WLDMT, HDL, RACK CONNECTOR, RT
3	2	NUT.5JAMLOCK	1/2 THIN LOCK NUT
4	2	HHB.5X3	1/2 X 3 BOLT
5	4	WASH.5STAR	1/2 INTERNAL LOCK WASHER
6	1	9499093	TUBE, HDL, RACK CONNECTOR, 6-7FT -HWG
		9499193	TUBE, HDL, RACK CONNECTOR, 7-8FT -HWG

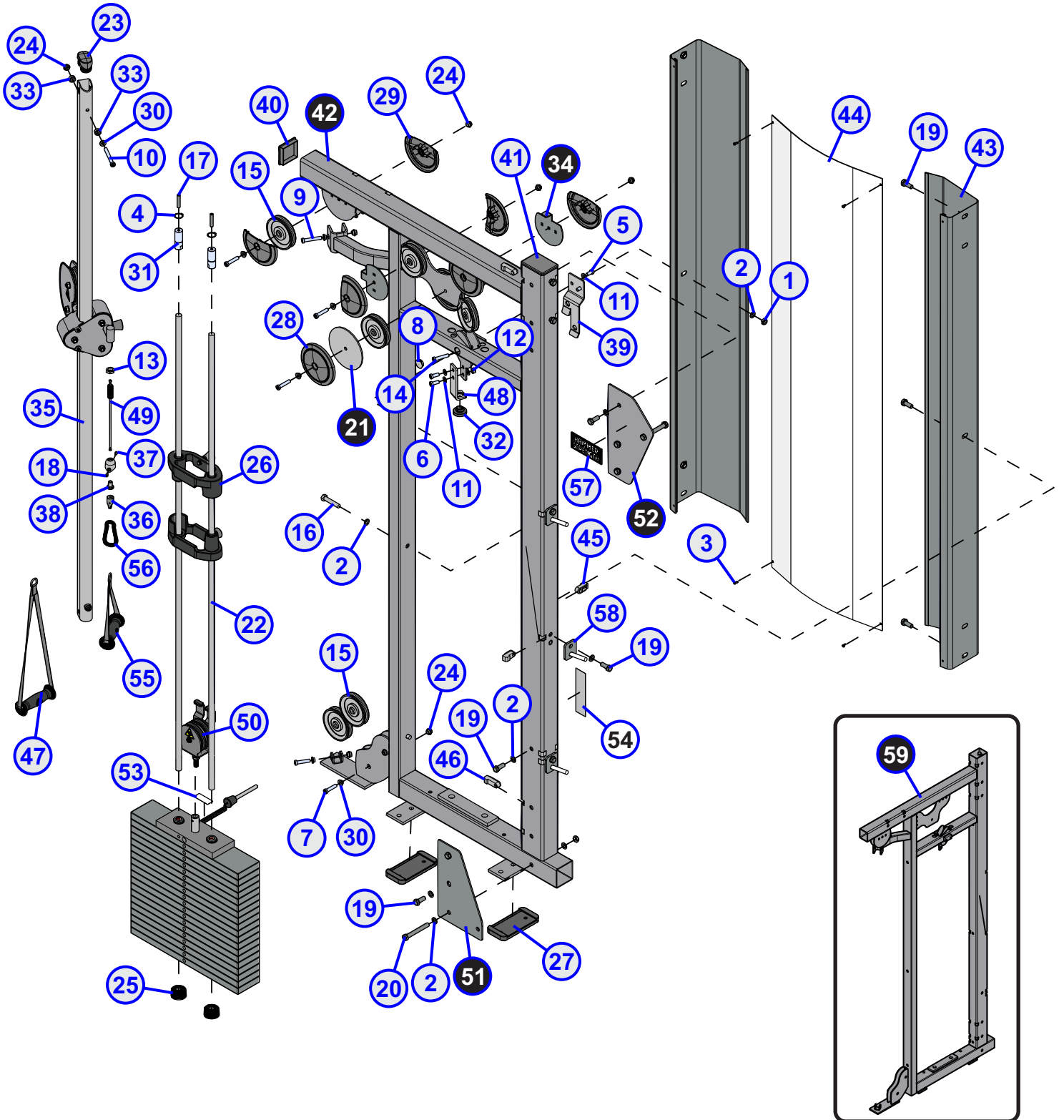


ITEM NO.	QTY.	PART NO.	DESCRIPTION
1	1	1003800-0000	WLDMT, HDLRC-SQ, RIGHT
2	1	1003799-0000	WLDMT, HDLRC-SQ, LEFT
3	4	HHB.5X4.5	1/2 X 4-1/2 BOLT
4	4	NUT.5LOCK	1/2 THICK LOCK NUT
5	8	3102512	WSHR, FLAT 1/2 ID X1-3/4 OD ZN
6	1	1003881-0000	TUBE, HDLRC-SQ, 6-7FT
		1003882-0000	TUBE, HDLRC-SQ, 7-8FT
		1003883-0000	TUBE, HDLRC-SQ, 8-9FT
		1003884-0000	TUBE, HDLRC-SQ, 9-10FT
		1006885-0000	TUBE, HDLRC-SQ, 10-11FT



ITEM NO.	QTY.	PART NO.	DESCRIPTION
1	2	H-NAMEPLATE	HAMMER STRENGTH BADGE
2	4	3272805	1/2 IN-13 X 1.25 IN UNC HHCS G5 ZN
3	2	9016400	PLATE, HDE, ANVIL, LOWER
4	4	9097301	NUT, RECT TUBING, 7GA, 3"
5	2	9212400	PLATE, HDE, ANVIL, UPPER
6	1	9231501	ASSY, PULL-UP, HDL SA DAP
7	1	9231600	WLDMT, HDL DAP SA BOTTOM
8	1	9231700	WLDMT, HDL DAP SA TOP
9	4	WASH.5STAR	1/2" INTERNAL LOCK WASHER

Please see the following KB article Life Fitness CMDAP, Hammer Strength HDLDAP Swivel Type Cable End Inspection

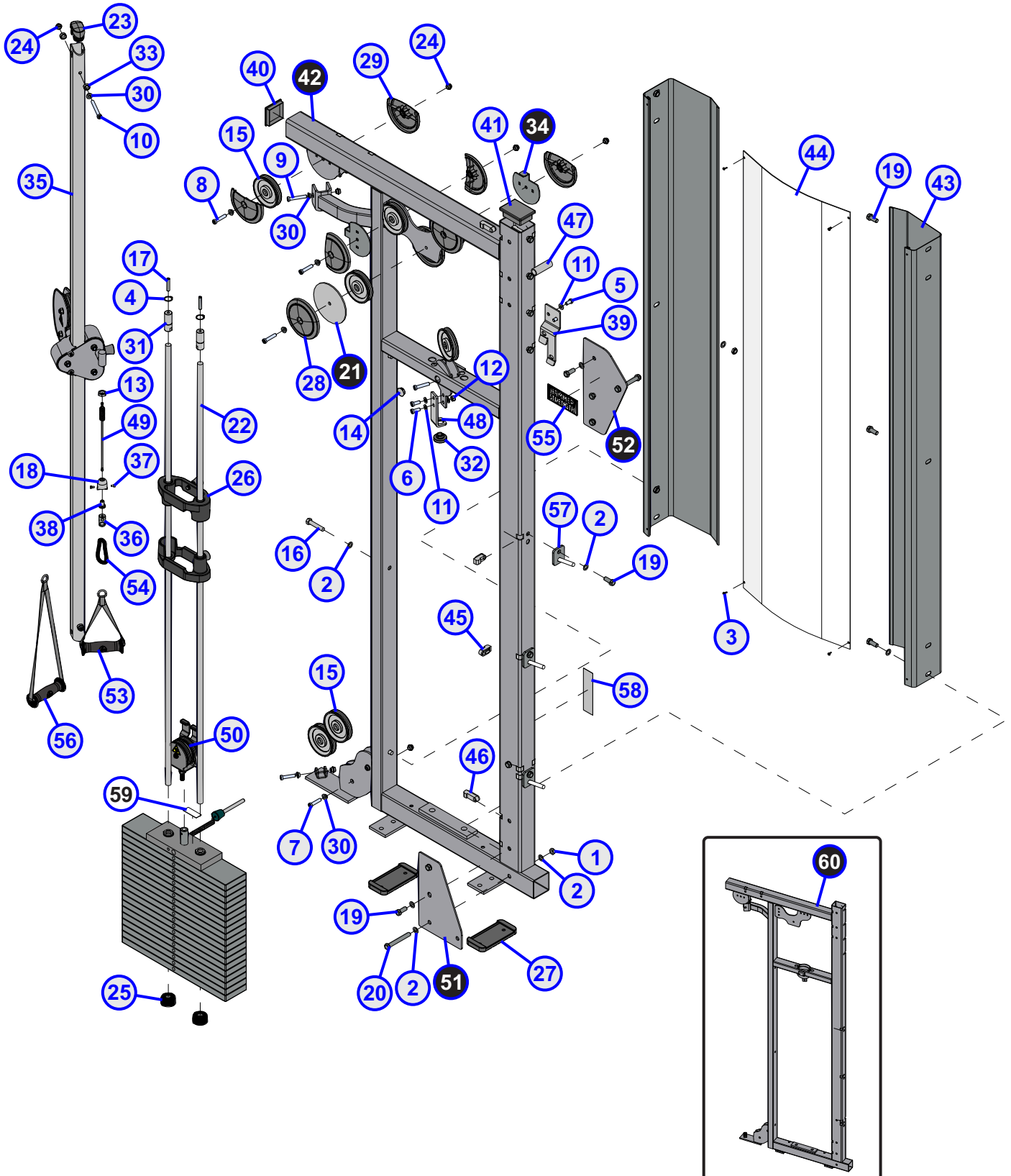


**TABLE ON FOLLOWING PAGE**

ITEM NO.	QTY.	PART NO.	DESCRIPTION
1	5	NUT.5JAMLOCK	1/2 THIN LOCK NUT
2	32	WASH.5STAR	1/2" INTERNAL LOCK WASHER
3	4	0017-00101-1587	RIVET, SHIELD
4	2	3232421	RING, BRE .940, 5100-100 ST PP B
5	2	3236201	SCREW, M10 X1.5 20MM
6	2	3236202	SCREW, M10 X1.5 25MM
7	3	3236206	SCREW, M10 X1.5 45MM
8	5	3236207	SCREW, M10 X1.5 50MM
9	1	3236209	SCREW, M10 X1.5 60MM
10	2	3236215	SCREW, M10 X1.5 90MM
11	6	WASH.375SAE	3/8" SAE FLAT WASHER
12	2	3236801	NUT, M10 HEX NYLOCK SS
13	1	3236902	NUT, HEX JAM M16 X 2 SS
14	1	3237403	PLUG, 1" HOLE
15	7	3237801	PULLEY, 1/4 IN CABLE (T3), 4.5 IN OD
16	3	HHB.5X2.5	1/2 X 2 1/2 BOLT
17	2	3240502	M10 X 1.5 X 50 HXS NO CUP ST BO
18	2	3250002	M5 X 0.8 HXS SOC CS ST BZ X 8
19	22	3272805	1/2 IN-13 X 1.25 IN UNC HHCS G5 ZN
20	2	3272816	1/2 IN-13 X 4.00 IN UNC HHCS G5 ZN
21	1	7301101	PLATE, PULLEY
22	2	7328618	GUIDE ROD, .75 OD SOLID 71.50
23	1	7333801	CAP, SMALL FLOV- END
24	10	7335401	NUT, M10 X 1.5 SOCKET HEAD
25	2	7352101	CUSHION, WEIGHT STACK
26	2	9102601	ASSY, INCREMENT WGT.
27	2	MM-9	3 X 6 FLANGE RUBBER SLIPPER
28	2	7629901	COVER, PULLEY- BOLTED FULL
29	6	7630001	COVER, PULLEY BOLTED PARTIAL
30	10	7630101	RETAINER, CM/MJ PULLEY
31	2	7634401	RETAINER, CM/MJ, GUIDEROD
32	1	7642301	BUMPER, CM/MJ, PLUG
33	4	7645501	SPACER, CM/MJ, SM FLOV CONCAVE
34	2	7730901	BRKT, COVER/CABLE RETAINER
35	1	8264101	TUBE, CM/MJ ADJ COLUMN
36	1	8943601	LINK, CM/MJ, CABLE END
37	1	8943701	HSNG, CM/MJ, CABLE END
38	1	8943801	INSERT, CM/MJ, CABLE END
39	1	9231103	STRIKER PLATE, INCR WGT, HT AND PLATED
40	1	9043001	CAP, END 3 X 3
41	1	9043101	CAP, END 3 X 4
42	1	9044900	WLDMT, HDDAP, SIDE FRAME, LEFT
43	2	9045793	SHROUD, HDEDAP, FNT -HWG
44	1	9046501	SHROUD, HDEDAP REAR
45	10	9097301	NUT, RECT TUBING, 7GA, 3"
46	12	9097302	NUT, RECT TUBING, 7GA, 4"
47	1	8219701	HANDLE, CM/MJ, LONG STRAP
48	1	1013912-9301	BRACKET: INC WEIGHT STOP, 1/4" -HWG
49	1	9124001	CABLE, HDEDAP, INCR. WGT
50	1	1014242-9301	ASSEMBLY: FLOATING DBL PULLEY, INC WGT -HWG
51	1	9016400	PLATE, HDE, ANVIL, LOWER
52	1	9212400	PLATE, HDE, ANVIL, UPPER
53	1	7744501	LABEL, WEIGHT AT HANDLE
54	1	82200XX	LABEL, ASTM WARNING SELECT
55	1	8219601	HANDLE, CM/MJ, SHORT STRAP
56	1	3250201	SNAP LINK, 3/8" DIA
57	1	H-NAMEPLATE	HAMMER STRENGTH BADGE
58	3	9306493	WLDMT, HDL, PEG
59	1	9044800	WLDMT, HDEDAP, SIDE FRAME, RIGHT

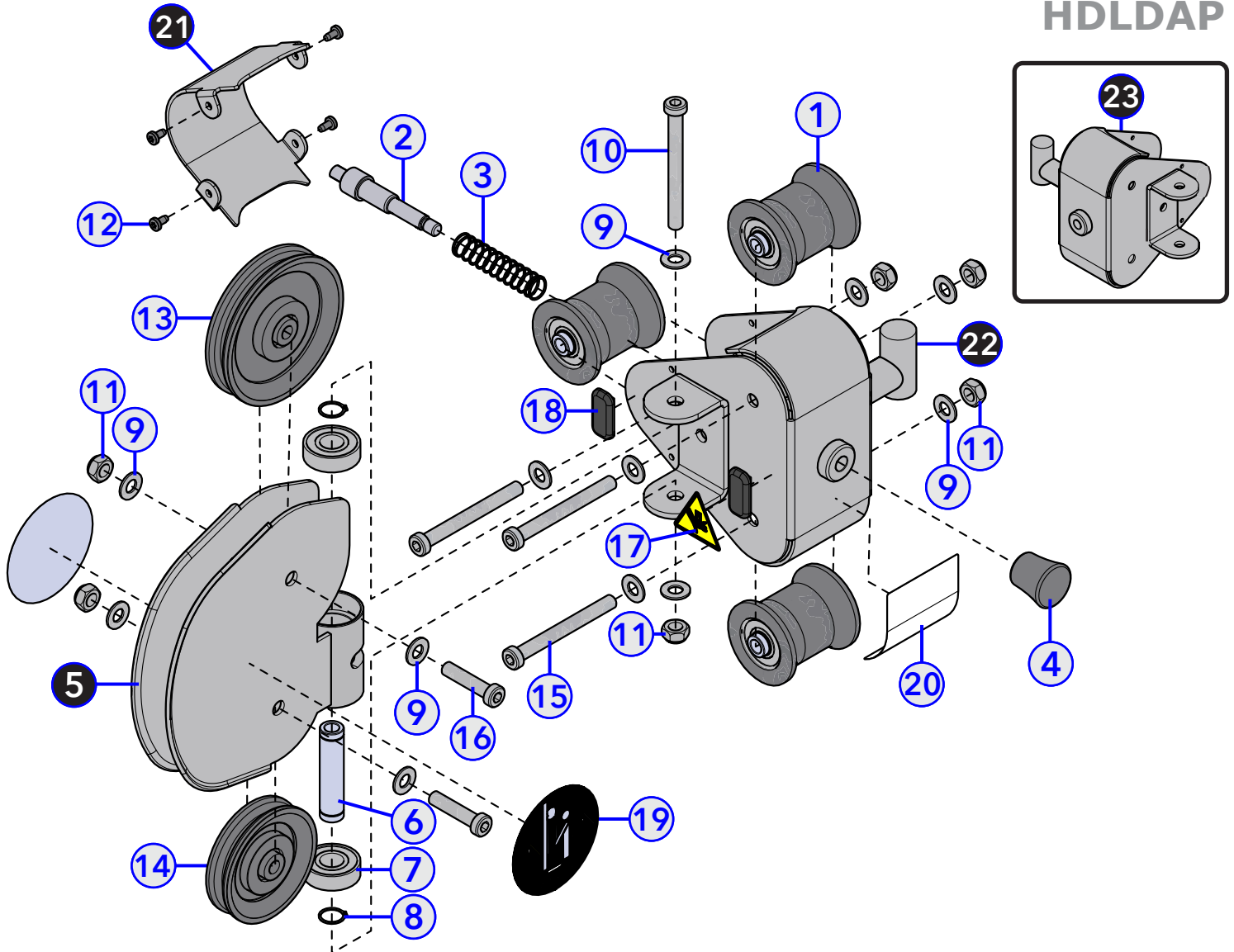


Please see the following KB article Life Fitness CMDAP, Hammer Strength HDLDAP Swivel Type Cable End Inspection

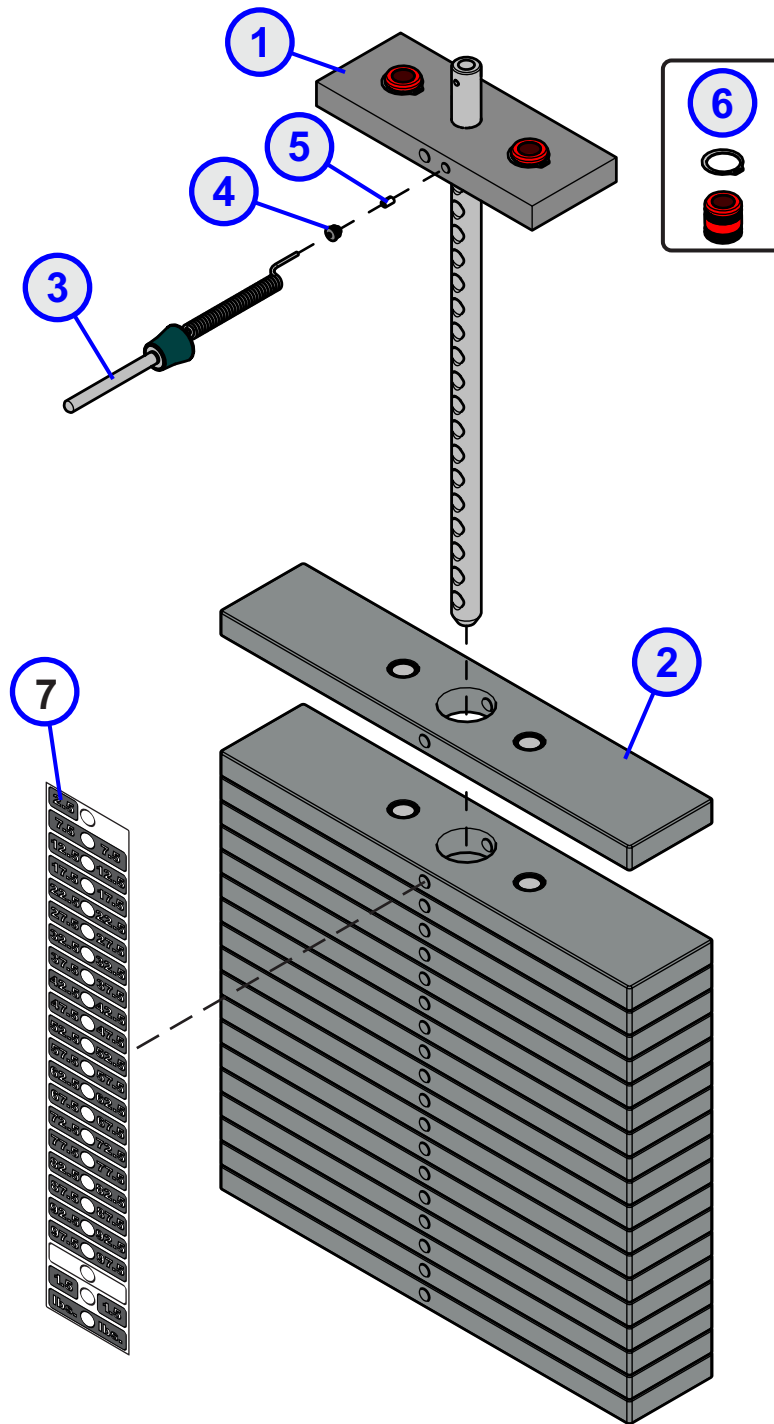


**TABLE ON FOLLOWING PAGE**

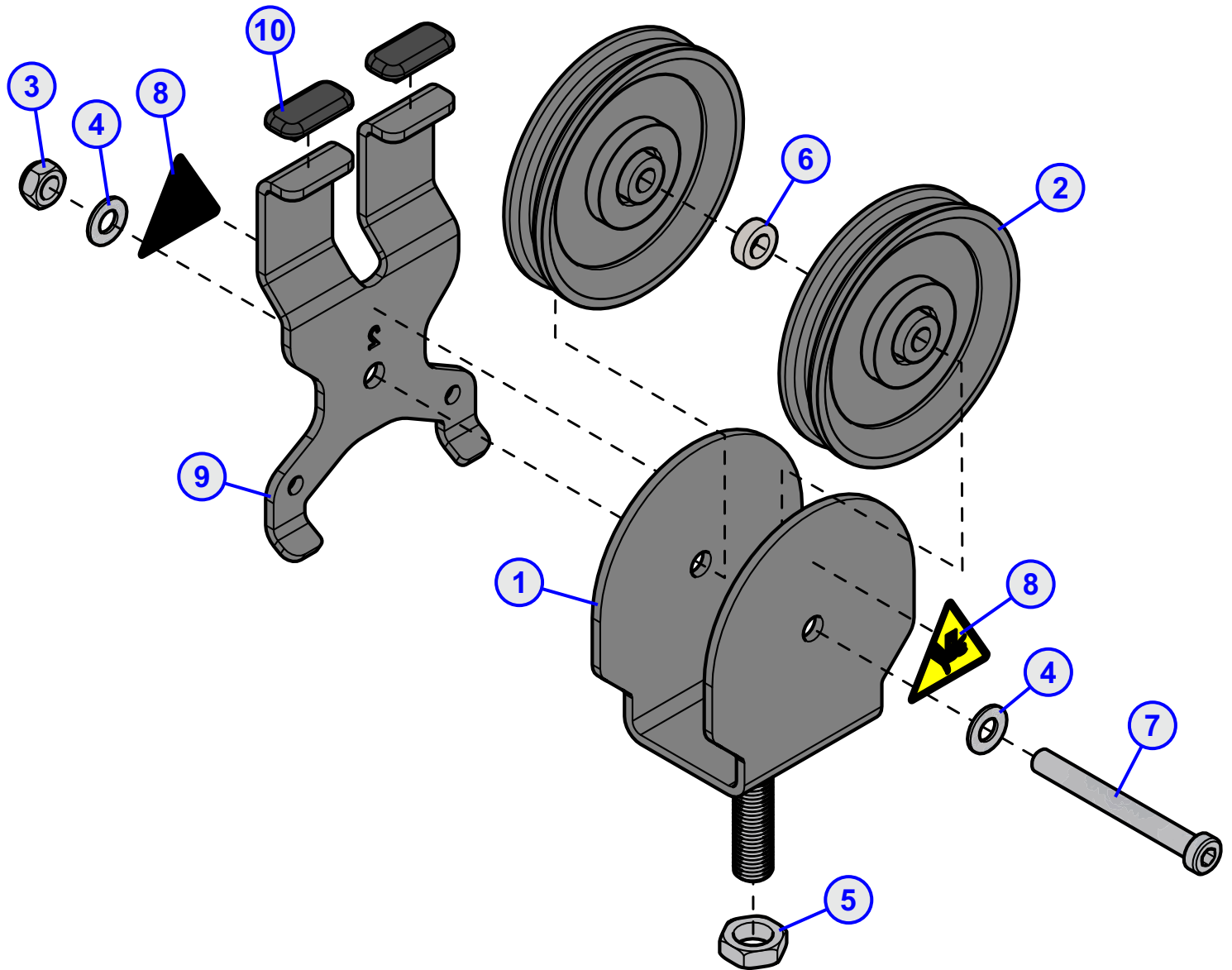
ITEM NO.	QTY.	PART NO.	DESCRIPTION
1	5	NUT.5JAMLOCK	1/2 THIN LOCK NUT
2	34	WASH.5STAR	1/2" INTERNAL LOCK WASHER
3	4	0017-00101-1587	RIVET, SHIELD
4	2	3232421	RING, BRE .940, 5100-100 ST PP B
5	2	3236201	SCREW, M10 X1.5 20MM
6	2	3236202	SCREW, M10 X1.5 25MM
7	3	3236206	SCREW, M10 X1.5 45MM
8	5	3236207	SCREW, M10 X1.5 50MM
9	1	3236209	SCREW, M10 X1.5 60MM
10	2	3236215	SCREW, M10 X1.5 90MM
11	6	WASH.375SAE	3/8" SAE FLAT WASHER
12	2	3236801	NUT, M10 HEX NYLOCK SS
13	1	3236902	NUT, HEX JAM M16 X 2 SS
14	1	3237403	PLUG, 1" HOLE
15	7	3237801	PULLEY, 1/4 IN CABLE (T3), 4.5 IN OD
16	3	HHB.5X2.5	1/2 X 2 1/2 BOLT
17	2	3240502	M10 X 1.5 X 50 HXS NO CUP ST BO
18	2	3250002	M5 X 0.8 HXS SOC CS ST BZ X 8
19	24	3272805	1/2 IN-13 X 1.25 IN UNC HHCS G5 ZN
20	2	3272816	1/2 IN-13 X 4.00 IN UNC HHCS G5 ZN
21	1	7301101	PLATE, PULLEY
22	2	7328618	GUIDE ROD, .75 OD SOLID 71.50
23	1	7333801	CAP, SMALL FLOV- END
24	10	7335401	NUT, M10 X 1.5 SOCKET HEAD
25	2	7352101	CUSHION, WEIGHT STACK
26	2	9102601	ASSY, INCREMENT WGT.
27	2	MM-9	3 X 6 FLANGE RUBBER SLIPPER
28	2	7629901	COVER, PULLEY- BOLTED FULL
29	6	7630001	COVER, PULLEY BOLTED PARTIAL
30	10	7630101	RETAINER, CM/MJ PULLEY
31	2	7634401	RETAINER, CM/MJ, GUIDEROD
32	1	7642301	BUMPER, CM/MJ, PLUG
33	4	7645501	SPACER, CM/MJ, SM FLOV CONCAVE
34	2	7730901	BRKT, COVER/CABLE RETAINER
35	1	9232301	TUBE, CM/MJ ADJ COLUMN, 9FT
36	1	8943601	LINK, CM/MJ, CABLE END
37	1	8943701	HSNG, CM/MJ, CABLE END
38	1	8943801	INSERT, CM/MJ, CABLE END
39	1	9035601	STRIKER PLATE, INCR. WGT.
40	1	9043001	CAP, END 3 X 3
41	1	9043101	CAP, END 3 X 4
42	1	9189300	WLDMT, HDDAP, SIDE FRAME, LEFT 9FT
43	2	9045793	SHROUD, HDEDAP, FNT -HWG
44	1	9046501	SHROUD, HDEDAP REAR
45	12	9097301	NUT, RECT TUBING, 7GA, 3"
46	12	9097302	NUT, RECT TUBING, 7GA, 4"
47	1	9124100	TUBE, HDEHR/MR, SPACER, 9' RACK
48	1	1013912-9301	BRACKET: INC WEIGHT STOP, 1/4" -HWG
49	1	9233201	CABLE, HDEDAP, 9FT
50	1	1014242-9301	ASSEMBLY: FLOATING DBL PULLEY, INC WGT -HWG
51	1	9016400	PLATE, HDE, ANVIL, LOWER
52	1	9212400	PLATE, HDE, ANVIL, UPPER
53	1	8219601	HANDLE, CM/MJ, SHORT STRAP
54	1	3250201	SNAP LINK, 3/8" DIA
55	1	H-NAMEPLATE	HAMMER STRENGTH BADGE
56	1	8219701	HANDLE, CM/MJ, LONG STRAP
57	3	9306493	WLDMT, HDL, PEG
58	1	82200XX	LABEL, ASTM, SELECT VERT
59	1	77445XX	LABEL, WEIGHT AT HANDLE
60	1	9189000	WLDMT, HDEDAP, 9FT SIDE FRAME, RIGHT



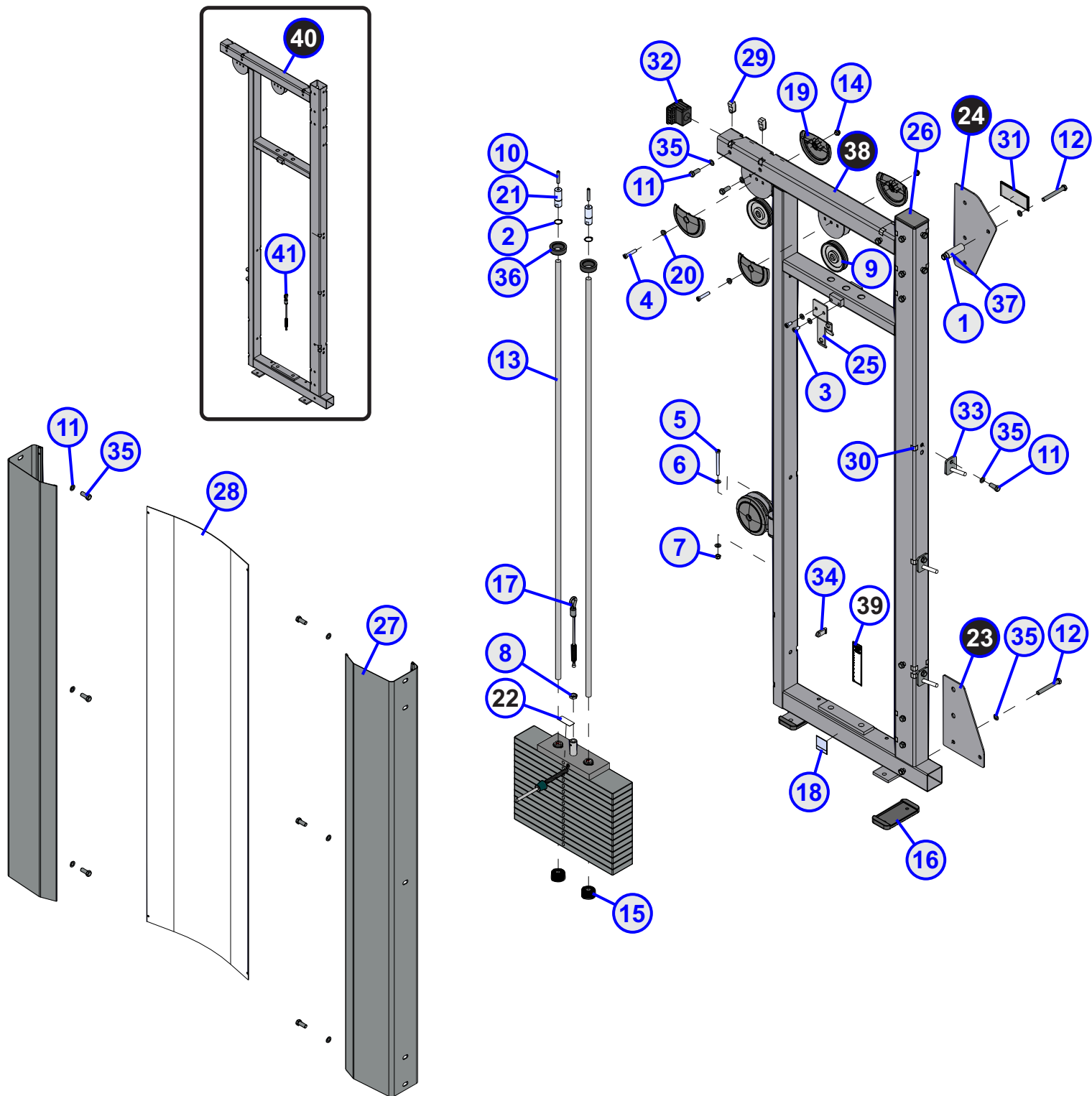
ITEM NO.	QTY.	PART NO.	DESCRIPTION
1	3	7637901	ASSY, ROLLER-CONCAVE
2	1	1002880-0001	ASSY, CM/MJ PIN-PULL, BEVEL NOSE
3	1	7351501	SPRING, PULL PIN LARGE
4	1	7351401	KNOB, TULIP STYLE
5	1	7633301	WLDMT, CM/MJ, SWIVEL PULLEY
6	1	7645401	SHAFT, CM/MJ, 6203 BRNG
7	2	3245901	BEARING, 6203
8	2	3232413	RING, BRE .631, 5100-66, ST PP B
9	12	3236601	WASHER, 3/8 SAE SS
10	1	3236217	SCREW, M10 X1.5 100MM
11	6	3236801	NUT, M10 HEX NYLOCK SS
12	4	3270601	SCREW, #10-32 X 3/8 TRX PAN ST BZ
13	1	3237801	PULLEY, 1/4 IN CABLE (T3), 4.5 IN OD
14	1	3245701	PULLEY, 3.5" OD, 10MM ID
15	3	3236216	SCREW, M10 X1.5 95MM
16	2	3236206	SCREW, M10 X1.5 45MM
17	1	8039501	LABEL, WARNING, TRIANGLE, 10-0099-067, BNR
18	2	7570801	GUARD, PAINT 1.25 x .75 x .25
19	2	1011299-0001	LABEL: WARNING, ADJ CARRIAGE
20	1	7821001	LABEL, WARNING ADJ CARRIAGE
21	1	7631801	BRKT, CM/MJ, CARRIAGE SHROUD
22	1	8346901	WLDMT, CMDAP RH CARRIAGE
23	1	8346701	WLDMT, CMDAP LH CARRIAGE



ITEM NO.	QTY.	PART NO.	DESCRIPTION
1	1	8920201	19 HOLE HEAD PLATE/BAYONET SER. KIT ASSY
2	19	7328401	WEIGHT PLATE, 20 LB
3	1	7353001	ASSY, SELECTOR PIN
4	1	7356501	PLUG, LANYARD ATTACHMENT
5	1	7523601	CRIMP, CABLE
6	X	7338001	BUSHING KIT, HEADPLATE
7	1	9138101	LABEL, WGHT STK, 97.5 LBS
		9138201	LABEL, WGHT STK, 48.75 KG



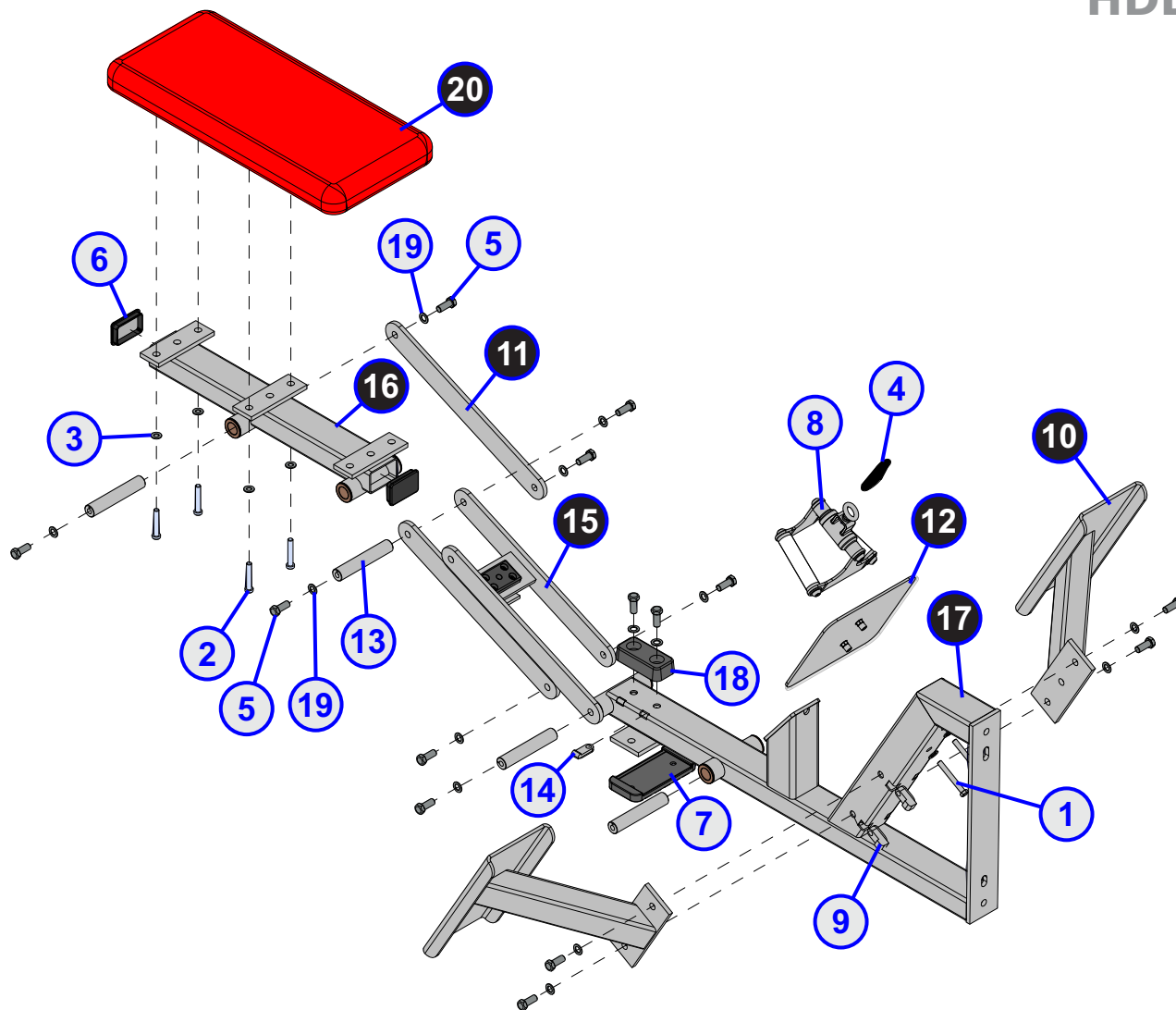
ITEM NO.	QTY.	PART NO.	DESCRIPTION
1	1	1012796-9301	WELDMENT: FLOATING DOUBLE PULLEY -HWG
2	2	3237801	PULLEY, 1/4 IN CABLE (T3), 4.5 IN OD
3	1	3236801	NUT, NYLOCK M10 X 1.5 SS
4	2	3236601	WASHER, 3/8 SAE STAINLESS STEEL
5	1	3236902	NUT, HEX JAM M16 X 2 SS
6	1	7385201	SPACER, .406 X .750 X .250 SS
7	1	3236215	M10 X 1.5 X 90 SHCS, LOW HEAD
8	2	8039501	LABEL, WARNING TRIANGLE
9	1	1013924-9301	BRACKET: INC WEIGHT, DBL PULLEY, 7 GA -HWG
10	2	7570801	GUARD, PAINT 1.25 X .75 X .25



**TABLE ON FOLLOWING PAGE**

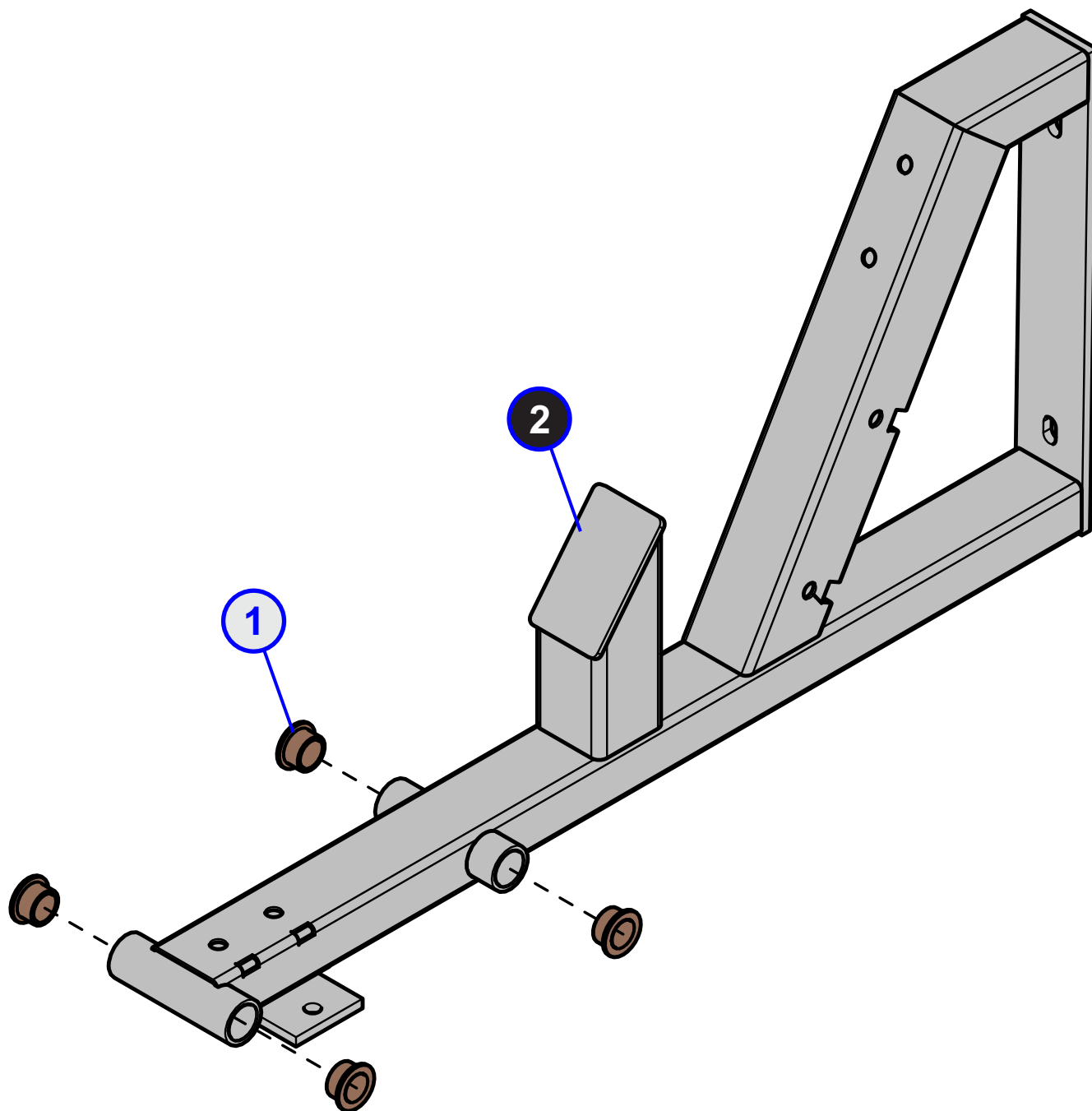
ITEM NO.	QTY.	PART NO.	DESCRIPTION
1	2	NUT.5JAMLOCK	1/2 THIN LOCK NUT
2	2	3232421	RING, BRE .940, 5100-100 ST PP B
3	2	3236201	SCREW, M10 X1.5 20MM
4	2	3236207	SCREW, M10 X1.5 50MM
5	1	3236217	SCREW, M10 X1.5 100MM
6	4	WASH.375SAE	3/8" SAE FLAT WASHER
7	1	3236801	NUT, M10 HEX NYLOCK SS
8	1	3236902	NUT, HEX JAM M16 X 2 SS
9	2	3237801	PULLEY, 1/4 IN CABLE (T3), 4.5 IN OD
10	2	3240502	M10 X 1.5 X 50 HXS NO CUP ST BO
11	31	3272805	1/2 IN-13 X 1.25 IN UNC HHCS G5 ZN
12	2	3272816	1/2 IN-13 X 4.00 IN UNC HHCS G5 ZN
13	2	7328618	GUIDE ROD, .75 OD SOLID 71.50
14	2	7335401	NUT, M10 X 1.5 SOCKET HEAD
15	2	7352101	CUSHION, WEIGHT STACK
16	2	MM-9	3 X 6 FLANGE RUBBER SLIPPER
17	1	1003787-0006	CABLE: M16TP, LOOP; 152.5 (8FT CABLE)
18	1	-	LABEL, SERIAL NUMBER, BLANK
19	4	7630001	COVER, PULLEY BOLTED PARTIAL
20	2	7630101	RETAINER, CM/MJ PULLEY
21	2	7634401	RETAINER, CM/MJ, GUIDEROD
22	1	77445XX	LABEL, WEIGHT AT HANDLE
23	1	9016400	PLATE, HDE, ANVIL, LOWER
24	1	9212400	PLATE, HDE, ANVIL, UPPER
25	1	9231103	STRIKER PLATE, INCR WGT, HT AND PLATED
26	1	9043101	CAP, END 3 X 4
27	2	9045793	SHROUD, HDEDAP, FNT -HWG
28	1	9046501	SHROUD, HDEDAP REAR
29	14	9097301	NUT, RECT TUBING, 7GA, 3"
30	12	9097302	NUT, RECT TUBING, 7GA, 4"
31	1	H-NAMEPLATE	HAMMER STRENGTH BADGE
32	1	9212801	CAP, 3X3 SQ END
33	3	9306493	WLDMT, HDL, PEG
34	5	9311803	NUT, RECT TUBING, 11GA, 3"
35	36	WASH.5STAR	1/2" INTERNAL LOCK WASHER
36	2	7767601	BUMPER, PS INCREMENT WT -SGY
37	1	9124100	TUBE, HDEHR/MR, SPACER, 9' RACK
38	1	9296300	WLDMT, HDLROW, SIDE FRAME - 8'
39	1	82200XX	LABEL, ASTM, SELECT VERT
40	1	9345700	WLDMT, HDLROW, SIDE FRAME, 9FT
41	1	1003787-0008	CABLE: M16TP, LOOP; 176.500 (9FT CABLE)



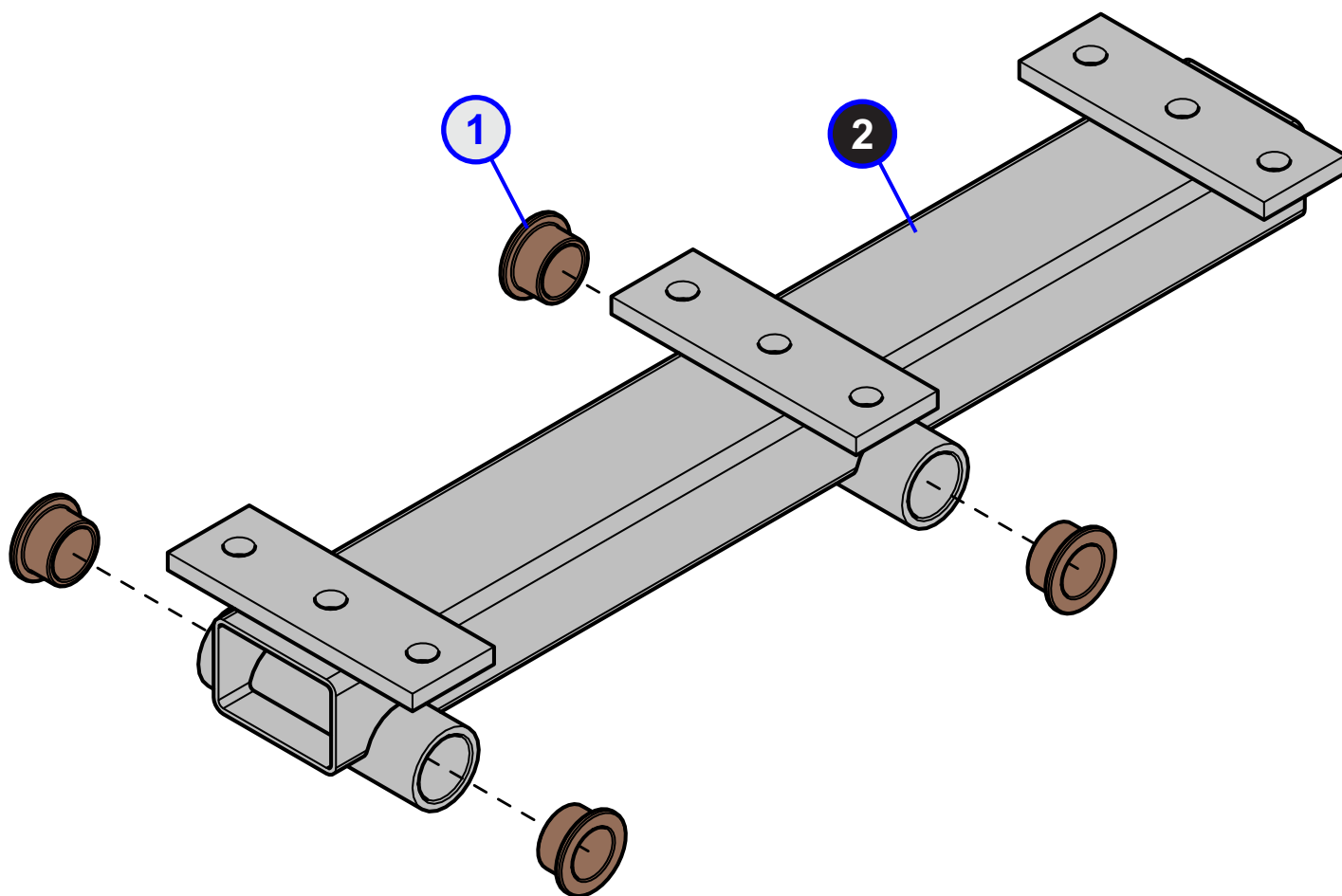


ITEM NO.	QTY.	PART NO.	DESCRIPTION
1	2	3223309	3/8-16 X 3.00 HEX HEAD BOLT
2	4	3236209	SCREW, M10 X1.5 60MM
3	4	WASH.375SAE	3/8" SAE FLAT WASHER
4	1	3250201	SNAP LINK, 3/8" DIA
5	14	3272805	1/2 IN-13 X 1.25 IN UNC HHCS G5 ZN
6	2	7352301	CAP, END 2 X 3
7	1	MM-9	3 X 6 FLANGE RUBBER SLIPPER
8	1	7732301	HANDLE, MJRW
9	4	9097301	NUT, RECT TUBING, 7GA, 3"
10	2	9305193	WLDMT, HDL, ROW, FOOT
11	2	9305701	PLATE. HDL, ROW, LINK
12	1	9305901	ASSY, HDL, ROW, HANDLE REST
13	4	9306501	SHAFT, 1IN X 5.57IN
14	2	9311803	NUT, RECT TUBING, 11GA, 3"
15	1	9329501	ASSY, HDL, ROW, LINKAGE
16	1	9329601	ASSY, HDL, ROW, SEAT
17	1	9329701	ASSY, HDL, ROW, USER STATION SUB
18	1	H-BUMP-SML	MM3 SMALL BUMPER
19	16	WASH.5STAR	1/2" INTERNAL LOCK WASHER
20	1	73988XX	PAD, BACK 25 X 11-1/4

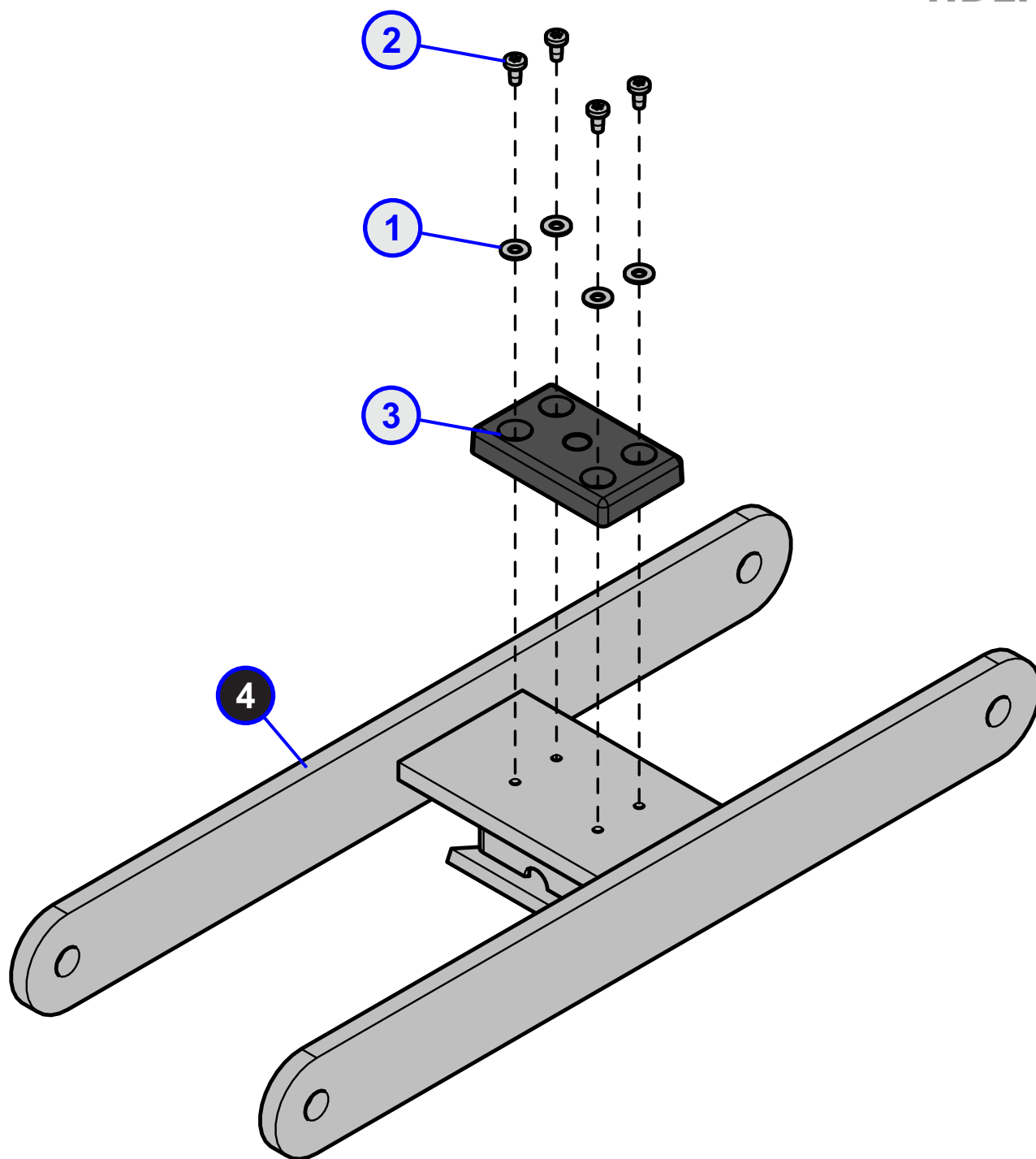




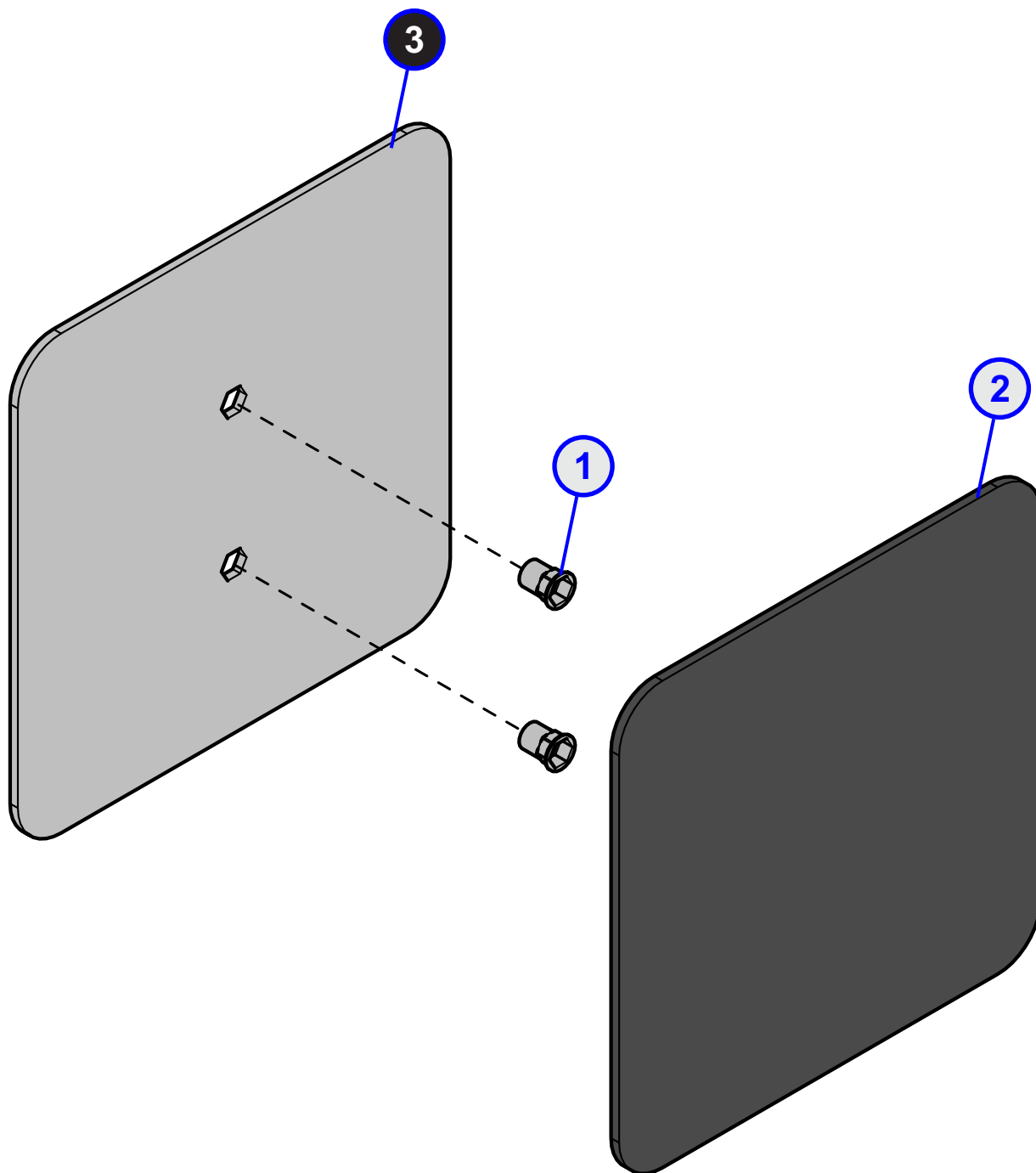
ITEM NO.	QTY.	PART NO.	DESCRIPTION
1	4	1002878-0003	1.00" ID 1.25" OD BRONZ BUSHING
2	1	9304100	WLDMT, HDL, ROW, SEAT FRAME



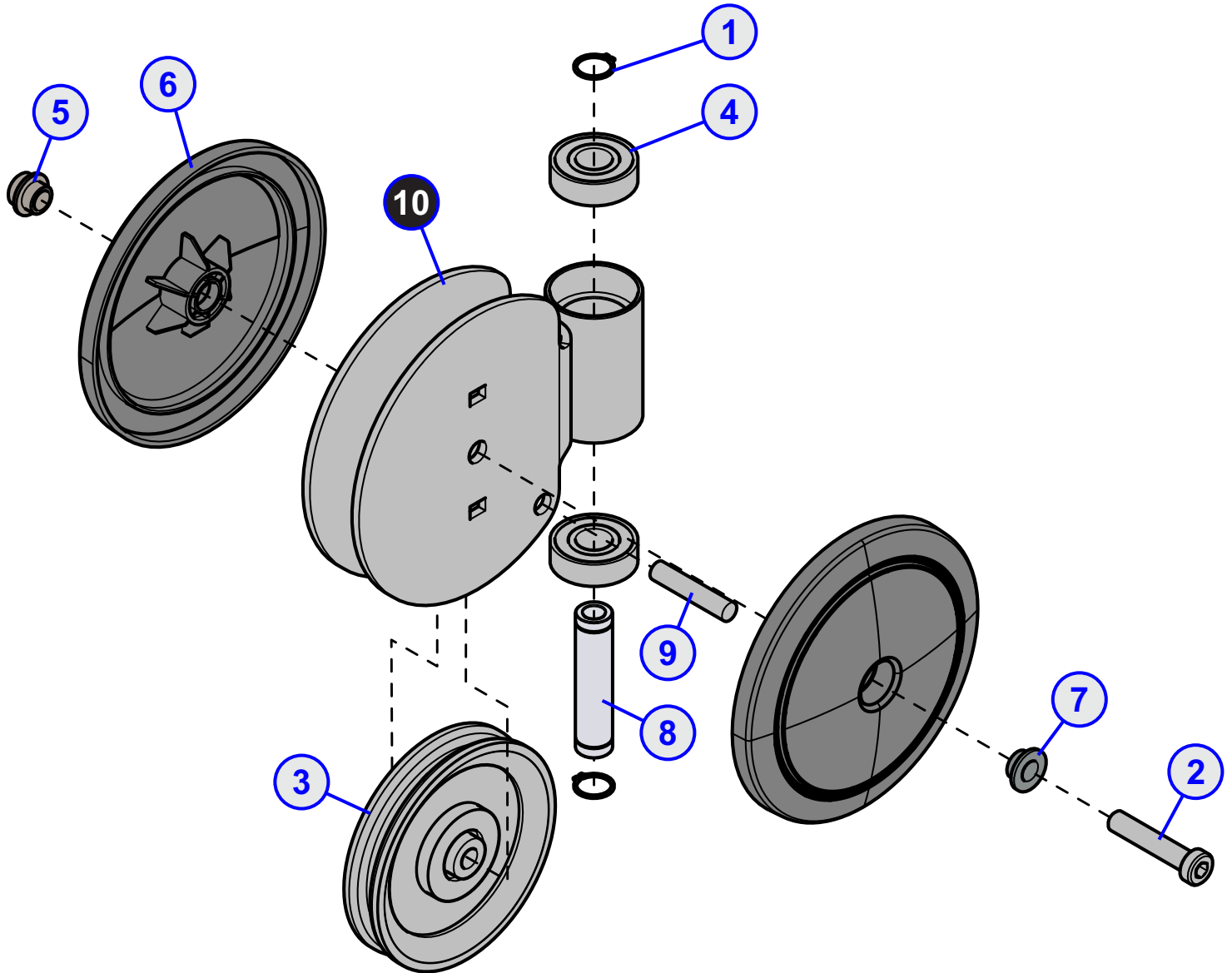
ITEM NO.	QTY.	PART NO.	DESCRIPTION
1	4	1002878-0003	BRNG, FLANGE 1.00 ID X 1.25 OD
2	1	9304800	WLDMT, HDLROW, SEAT



ITEM NO.	QTY.	PART NO.	DESCRIPTION
1	4	3114407	WASHER, FLAT #10 SAE ST BZ
2	4	3270601	SCREW, #10-32 X 3/8 TRX PAN ST BZ
3	1	7810801	PAD, RUBBER FOOT, 10-0101-006, BNR
4	1	9327700	WLDMT, HDL, SEAT, ROW

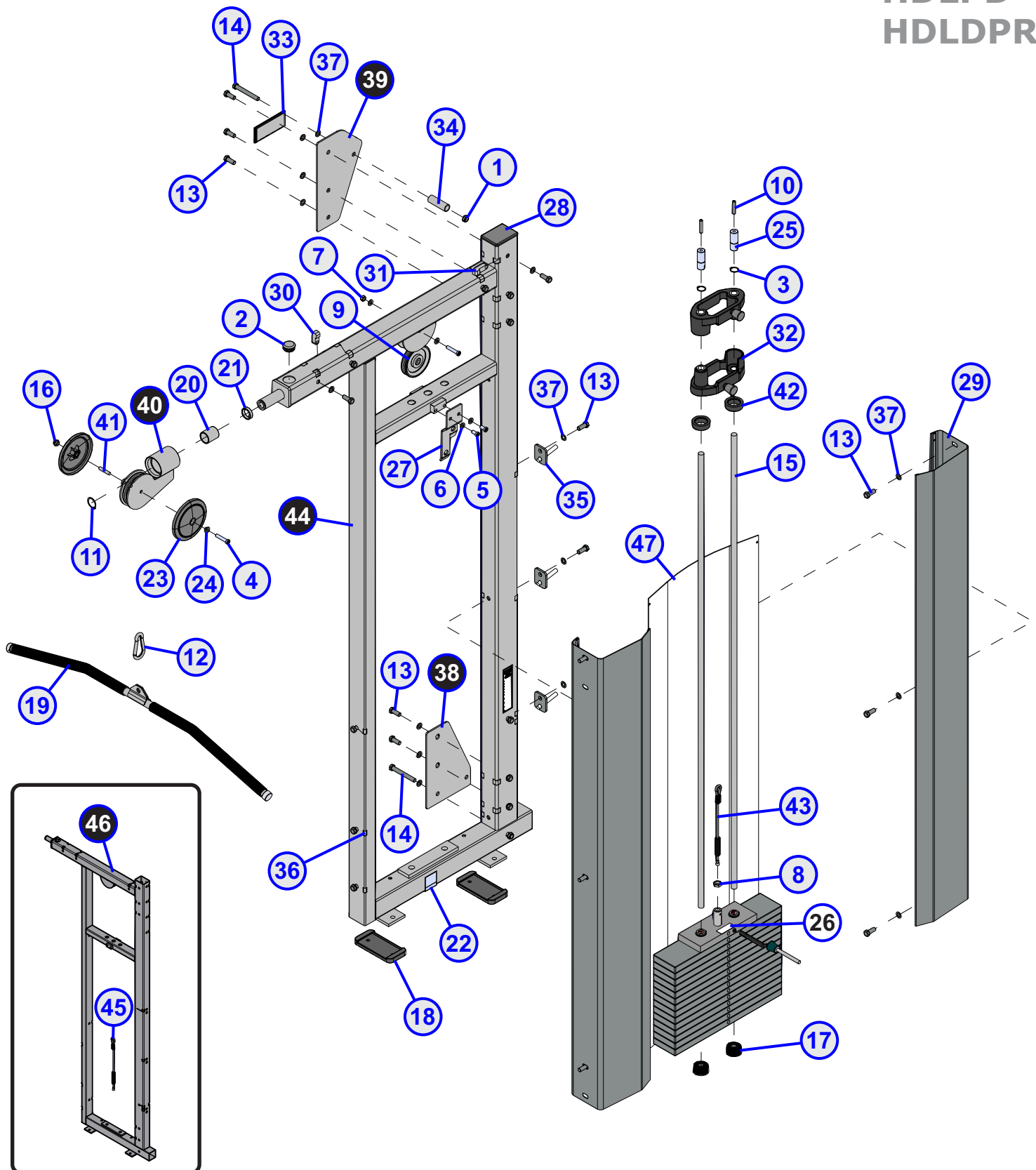


ITEM NO.	QTY.	PART NO.	DESCRIPTION
1	2	3229701	3/8-16 BLIND THRED INSERT HEX
2	1	9305301	RUBBER, HDL, ROW, HANDLE REST
3	1	9306001	PLATE, HDL, ROW, HANDLE REST



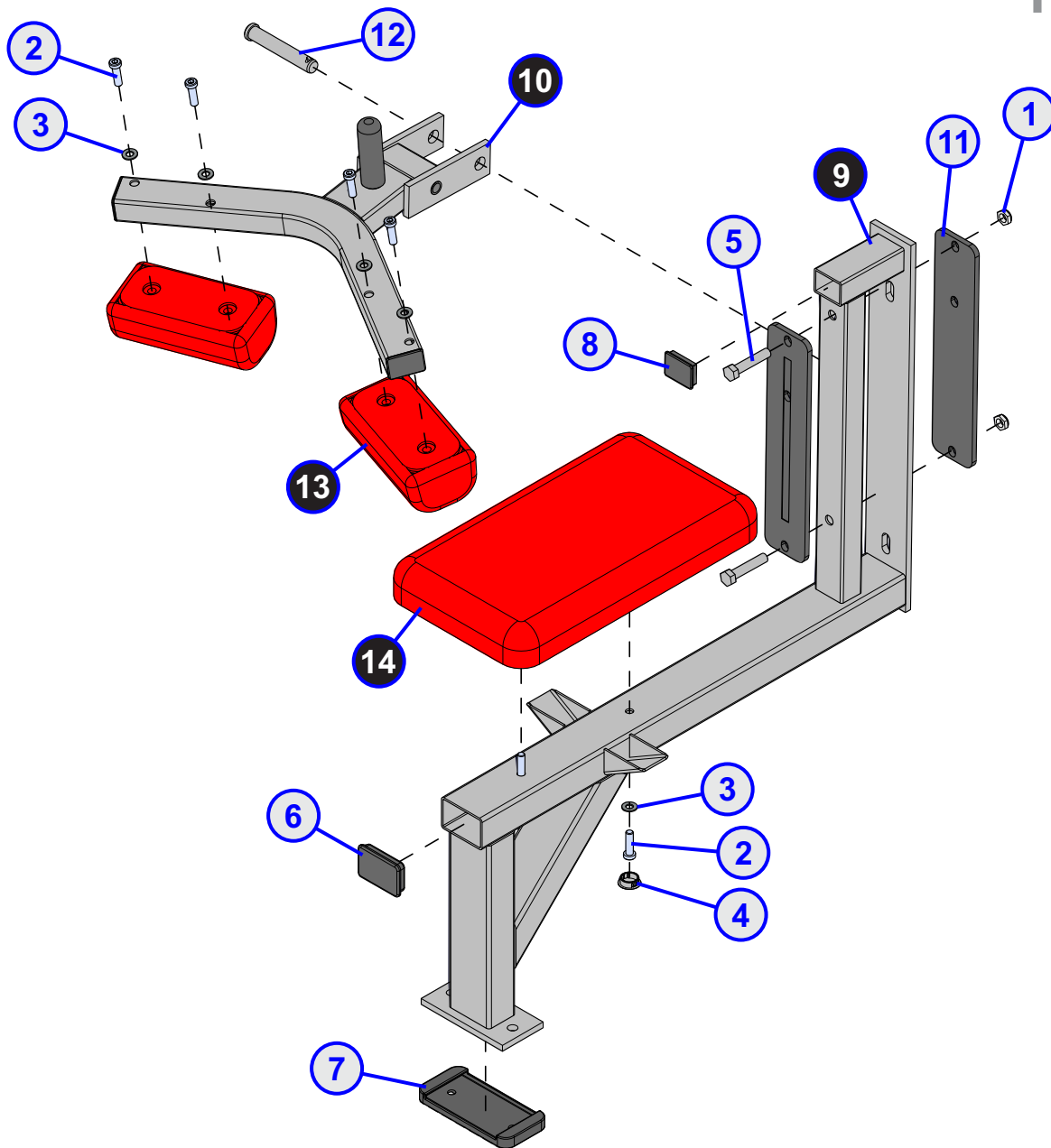
ITEM NO.	QTY.	PART NO.	DESCRIPTION
1	2	3232413	RING, BRE .631, 5100-66, ST PP B
2	1	3236207	SCREW, M10 X1.5 50MM
3	1	3237801	PULLEY, 1/4 IN CABLE (T3), 4.5 IN OD
4	2	3245901	BEARING, 6203
5	1	7335401	NUT, M10 X 1.5 SOCKET HEAD
6	2	7629901	COVER, PULLEY- BOLTED FULL
7	1	7630101	RETAINER, CM/MJ PULLEY
8	1	7645401	SHAFT, CM/MJ, 6203 BRNG
9	1	9327201	ROUND, 3/8 RETAINER
10	1	9327900	WLDMT, HDL, ROW, SWIVEL PULLEY

HDLPD  
HDLDPR



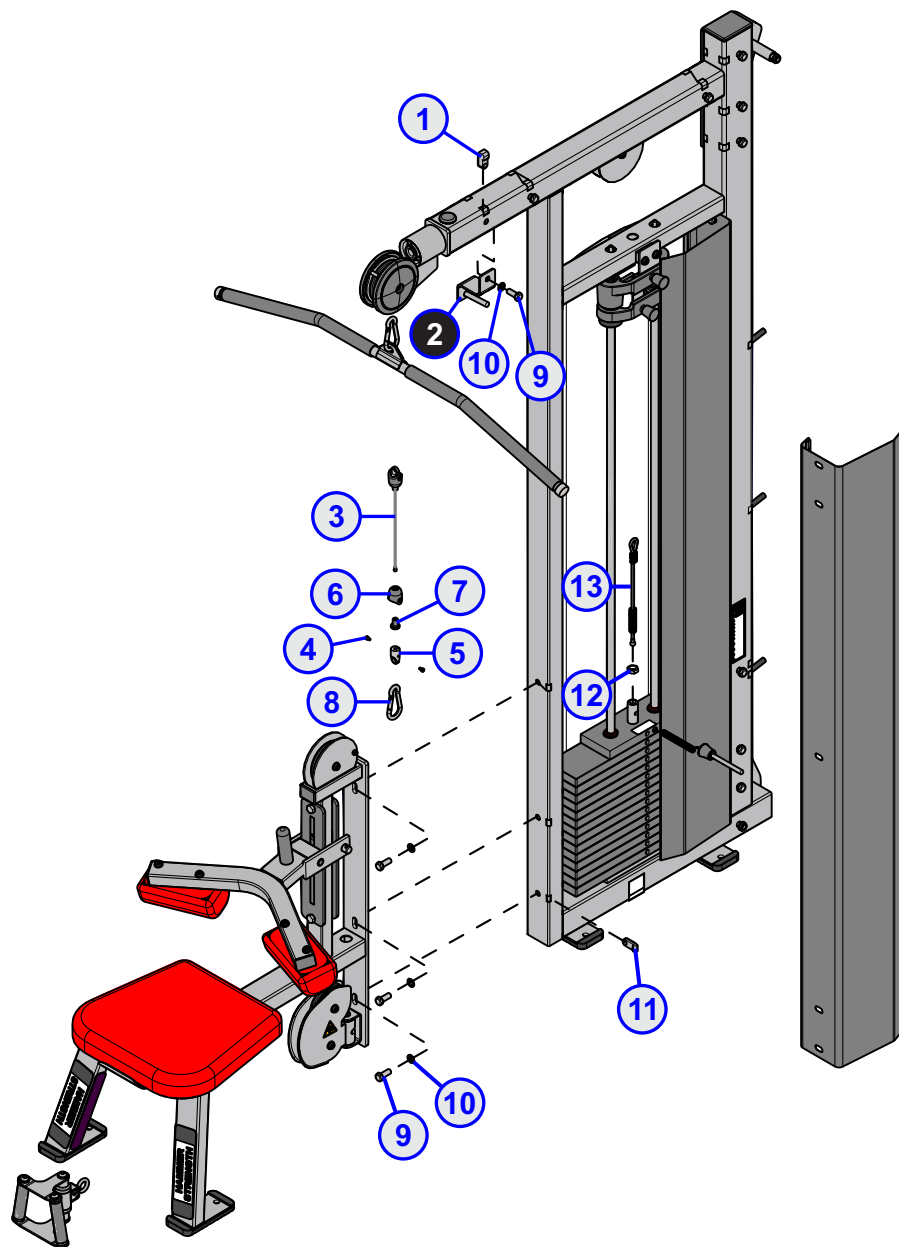
**TABLE ON FOLLOWING PAGE**

ITEM NO.	QTY.	PART NO.	DESCRIPTION
1	2	NUT.5JAMLOCK	1/2 THIN LOCK NUT
2	1	3119307	CAP, END ROUND
3	2	3232421	RING, BRE .940, 5100-100 ST PP B
4	2	3236207	SCREW, M10 X1.5 50MM
5	2	3236201	SCREW, M10 X1.5 20MM
6	4	WASH.375SAE	3/8" SAE FLAT WASHER
7	1	3236801	NUT, M10 HEX NYLOCK SS
8	1	3236902	NUT, HEX JAM M16 X 2 SS
9	2	3237801	PULLEY, 1/4 IN CABLE (T3), 4.5 IN OD
10	2	3240502	M10 X 1.5 X 50 HXS NO CUP ST BO
11	1	3243905	RING, BRE M19, ST, PP
12	1	3250201	SNAP LINK, 3/8" DIA
13	33	3272805	1/2 IN-13 X 1.25 IN UNC HHCS G5 ZN
14	2	3272816	1/2 IN-13 X 4.00 IN UNC HHCS G5 ZN
15	2	7328618	GUIDE ROD, .75 OD SOLID 71.50
16	1	7335401	NUT, M10 X 1.5 SOCKET HEAD
17	2	7352101	CUSHION, WEIGHT STACK
18	2	MM-9	3 X 6 FLANGE RUBBER SLIPPER
19	1	7442301	PTD ASSY, LAT BAR
20	1	7511502	SPACER, FZ/PS INTERNAL 1.845
21	1	7511501	SPACER, FZ/PS INTERNAL .403
22	1	-	LABEL, SERIAL NUMBER, BLANK
23	2	7629901	COVER, PULLEY- BOLTED FULL
24	1	7630101	RETAINER, CM/MJ PULLEY
25	2	7634401	RETAINER, CM/MJ, GUIDEROD
26	1	77445XX	LABEL, WEIGHT AT HANDLE
27	1	9231103	STRIKER PLATE, INCR WGT, HT AND PLATED
28	1	9043101	CAP, END 3 X 4
29	2	9045793	SHROUD, HDEDAP, FNT -HWG
30	14	9097301	NUT, RECT TUBING, 7GA, 3"
31	12	9097302	NUT, RECT TUBING, 7GA, 4"
32	2	9102601	ASSY, INCREMENT WGT.
33	1	H-NAMEPLATE	HAMMER STRENGTH BADGE
34	1	9124100	TUBE, HDEHR/MR, SPACER, 9' RACK
35	3	9306493	WLDMT, HDL, PEG
36	6	9311803	NUT, RECT TUBING, 11GA, 3"
37	37	WASH.5STAR	1/2" INTERNAL LOCK WASHER
38	1	9016400	PLATE, HDE, ANVIL, LOWER
39	1	9212400	PLATE, HDE, ANVIL, UPPER
40	1	9303400	WLDMT, HDL P/D, PULLEY
41	1	9327201	ROUND, 3/8 RETAINER
42	2	7767601	BUMPER, PS INCREMENT WT -SGY
43	1	1003787-0005	CABLE: M16TP, LOOP; 109.500 (8 FOOT)
44	1	9302900	WLDMT, HDL PULLDOWN, FRAME 8FT
45	1	1003787-0007	CABLE: M16TP, LOOP; 127.500
46	1	9345300	WLDMT, HDL PULLDOWN, FRAME 9FT
47	1	9046501	SHROUD, HDEDAP, REAR

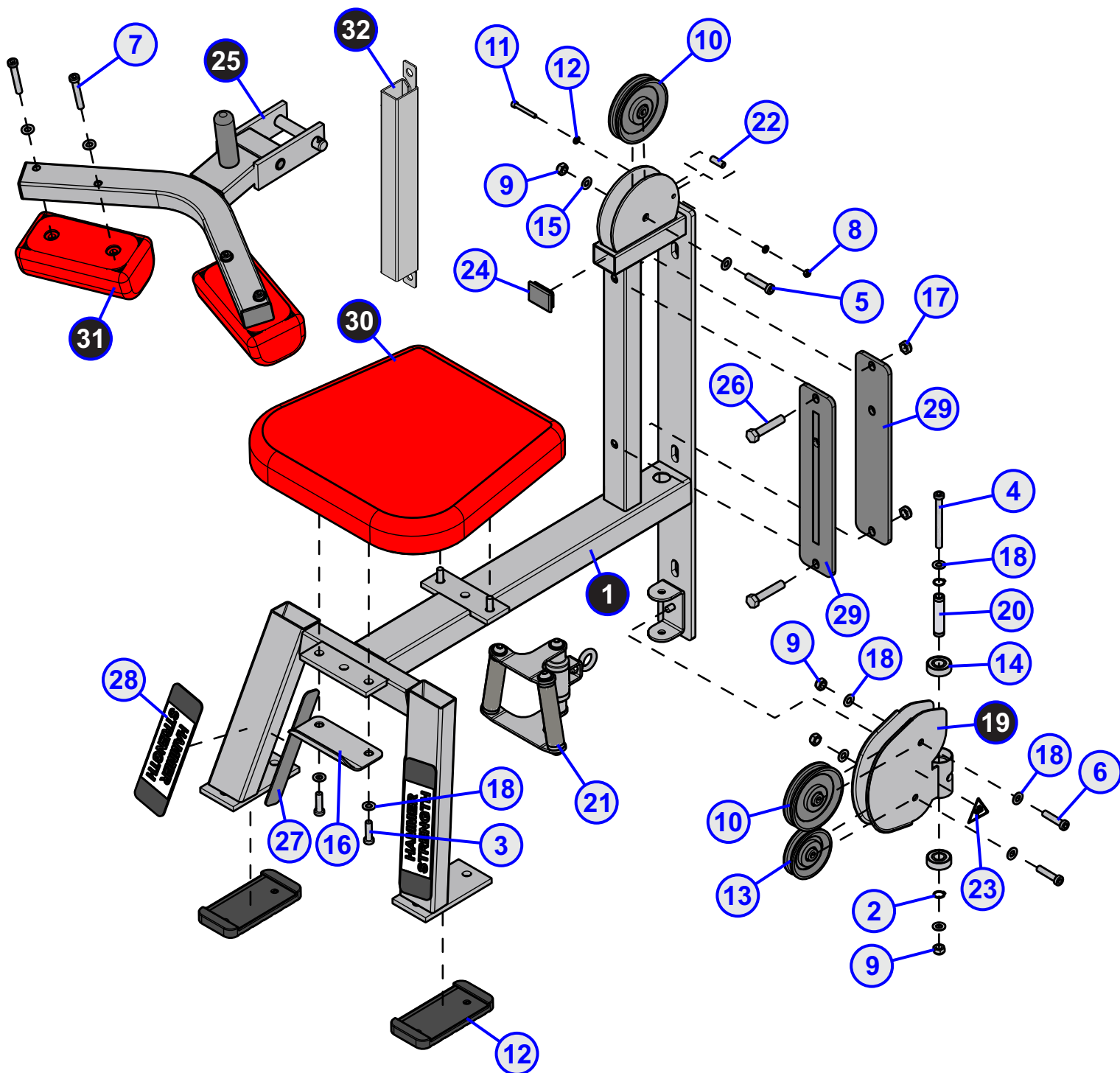


ITEM NO.	QTY.	PART NO.	DESCRIPTION
1	2	NUT.5JAMLOCK	1/2 THIN LOCK NUT
2	6	3236204	SCREW, M10 X1.5 35MM
3	6	WASH.375SAE	3/8" SAE FLAT WASHER
4	2	3237403	PLUG, 1" HOLE
5	2	HHB.5X2.5	1/2 X 2 1/2 BOLT
6	1	7352301	CAP, END 2 X 3
7	1	MM-9	3 X 6 FLANGE RUBBER SLIPPER
8	1	RC1520-1Q1	CAP:1-1/2 X 2 RECTANGLE PLUG
9	1	9302000	WLDMT, HDL, P/D, SEAT
10	1	CST4	ASSY, STD SEAT 4
11	2	H-SEATRCKS-N	PLASTIC SEAT GUIDES(PP229)NEW)
12	1	STD SEAT PIN	STD SEAT PIN
13	2	75013XX	PAD, 8 X 4 X 2-3/4
14	1	72973XX	PAD, 18 X 10





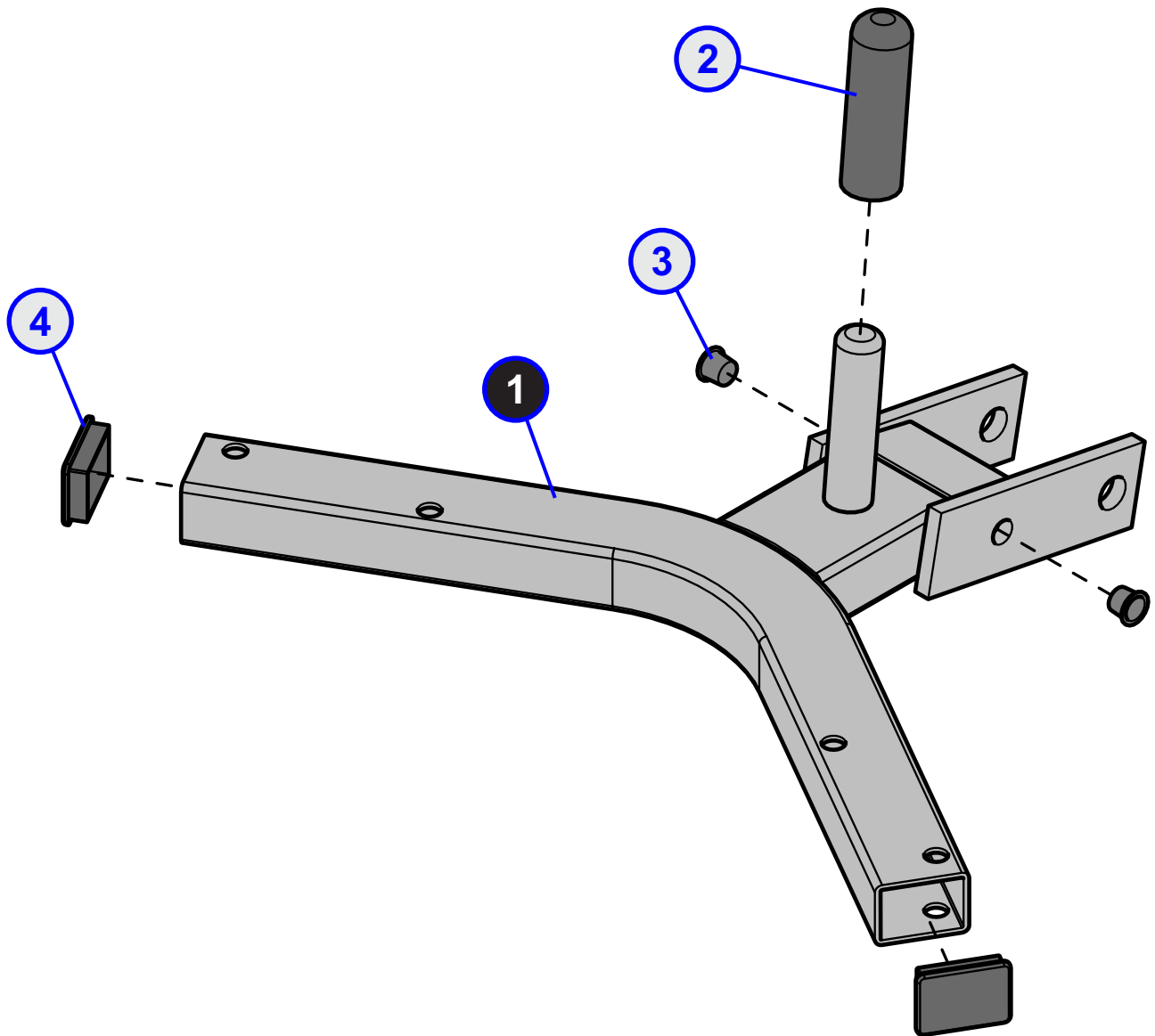
ITEM NO.	QTY.	PART NO.	DESCRIPTION
1	1	9097301	NUT, RECT TUBING, 7GA, 3 IN.
2	1	1001363-0000	WLDMT, HDL, CABLE HOOK
3	1	1002947-0001	CABLE: ROW, HDL DPR, 8'
		1002947-0002	CABLE: ROW, HDL DPR, 9'
4	4	3250002	M5 X 0.8 HXS SOC CS ST BZ X 8
5	2	8943601	LINK, CM/MJ, CABLE END
6	2	8943701	HSNG, CM/MJ, CABLE END
7	2	8943801	INSERT, CM/MJ, CABLE END
8	1	3250201	SNAP LINK, 3/8" DIA
9	4	3272805	1/2 IN - 13X 1.25 IN UNC HHCS G5 ZN
10	4	WASH.5STAR	1/2 INTERNAL LOCK WASHER
11	3	9311803	NUT, RECT TUBING, 11GA, 3"
12	1	3236902	NUT, HEX JAM M16 X 2 SS
13	1	1003787-0005	CABLE: M16TP, LOOP; 109.500 (8 FOOT)
		1003787-0007	CABLE: M16TP, LOOP; 127.500 (9 FOOT)



**TABLE ON FOLLOWING PAGE**

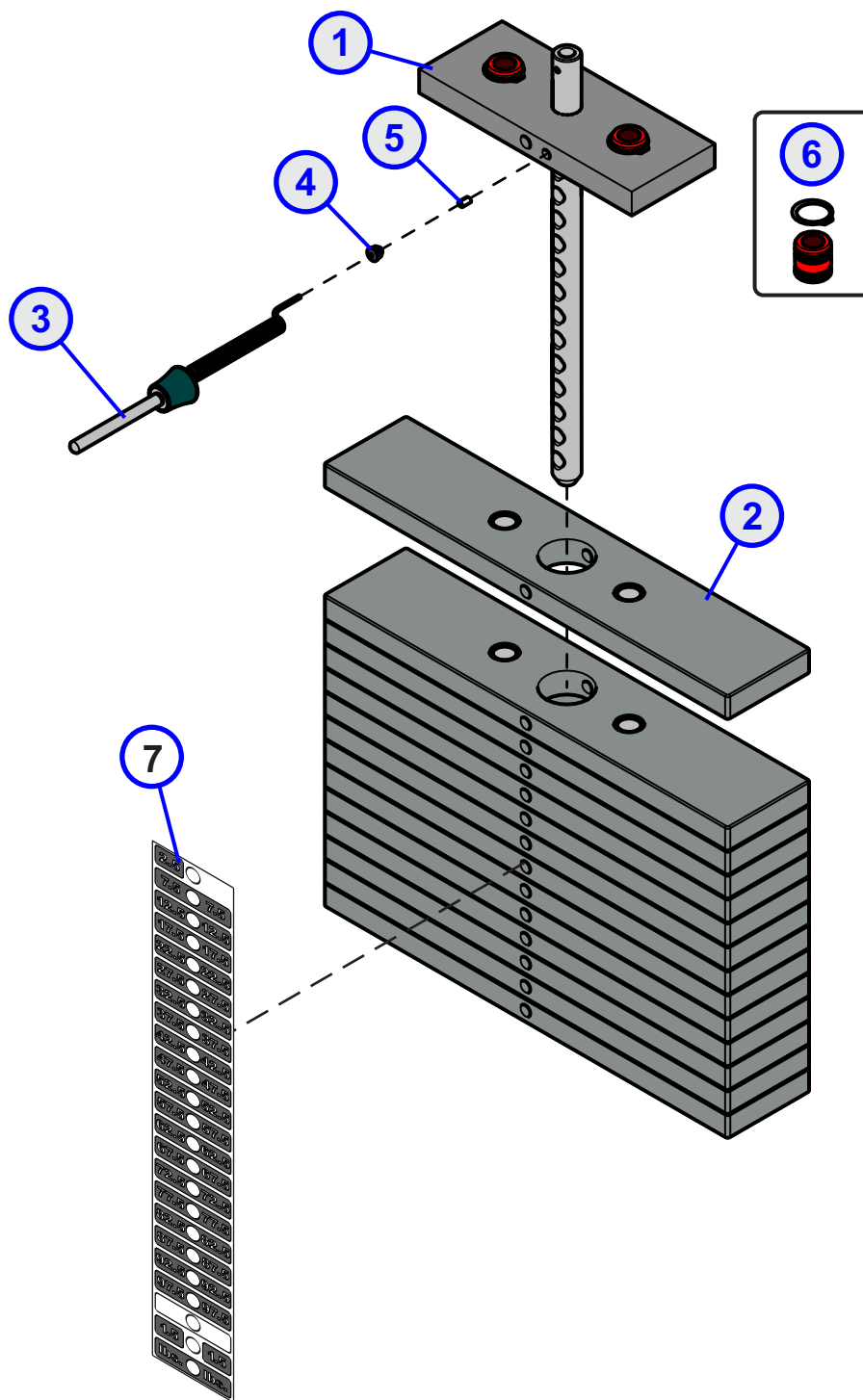
ITEM NO.	QTY.	PART NO.	DESCRIPTION
1	1	1001261-0000	WLDMT, HDL DPR, SEAT
2	2	3232413	RING, BRE .631, 5100-66, ST PP B
3	4	3236204	SCREW, M10 X1.5 35MM
4	1	3236217	SCREW, M10 X1.5 100MM
5	1	3236207	SCREW, M10 X1.5 50MM
6	2	3236206	SCREW, M10 X1.5 45MM
7	4	3236210	SCREW, M10 X1.5 65MM
8	1	3236802	NUT, M6 HEX NYLOCK SS
9	4	3236801	NUT, M10 HEX NYLOCK SS
10	2	3237801	PULLEY, 1/4 IN CABLE (T3), 4.5 IN OD
11	1	3241706	SCREW, M6 X1 45MM
12	2	MM-9	3 X 6 FLANGE RUBBER SLIPPER
13	1	3245701	PULLEY, 3.5" OD, 10MM ID
14	2	3245901	BEARING, 6203
15	2	3236601	WASHER, 3/8 SAE SS
16	1	1008562-0001	PLATE: GUARD, SEAT
17	2	NUT.5JAMLOCK	1/2 THIN LOCK NUT
18	16	WASH.375SAE	3/8" SAE FLAT WASHER
19	1	7633301	WLDMT, CM/MJ, SWIVEL PULLEY
20	1	7645401	SHAFT, CM/MJ, 6203 BRNG
21	1	7732301	HANDLE, MJRW
22	1	8002401	SPACER, CM/MJ PULLEY
23	1	8039501	LABEL, WARNING, TRIANGLE, 10-0099-067, BNR
24	1	RC1520-1Q1	CAP:1-1/2 x 2 RECTANGLE PLUG
25	1	CST4	ASSY, STD SEAT 4
26	2	HHB.5X2.5	1/2 X 2 1/2 BOLT
27	2	NONSKID 1 X 9	PLASTIC NON SKID STRIP 1 X 9
28	2	H-NONSKID 3X9	PLASTIC NON SKID STRIP 3 X 9
29	2	H-SEATRCKS-N	PLASTIC SEAT GUIDES(PP229)NEW)
30	1	88542XX	PAD, SEAT 17 X 16-3/4 CUS
31	2	75013XX	PAD, 8 X 4 X 2-3/4
32	1	1012602-0000	TUBE: GUARD, CABLE, HDL DPR

HDLPD  
HDLPDR



ITEM NO.	QTY.	PART NO.	DESCRIPTION
1	1	ST4	WLDMT, STD SEAT 4
2	1	H-GRIP	HANDLE GRIPS (.938X16)
3	2	H-HPLUG(REG)	H-PLUG 9-16
4	2	RC1520-1Q1	CAP:1-1/2 X 2 RECTANGLE PLUG

HDLPD  
HDLROW  
HDL DPR

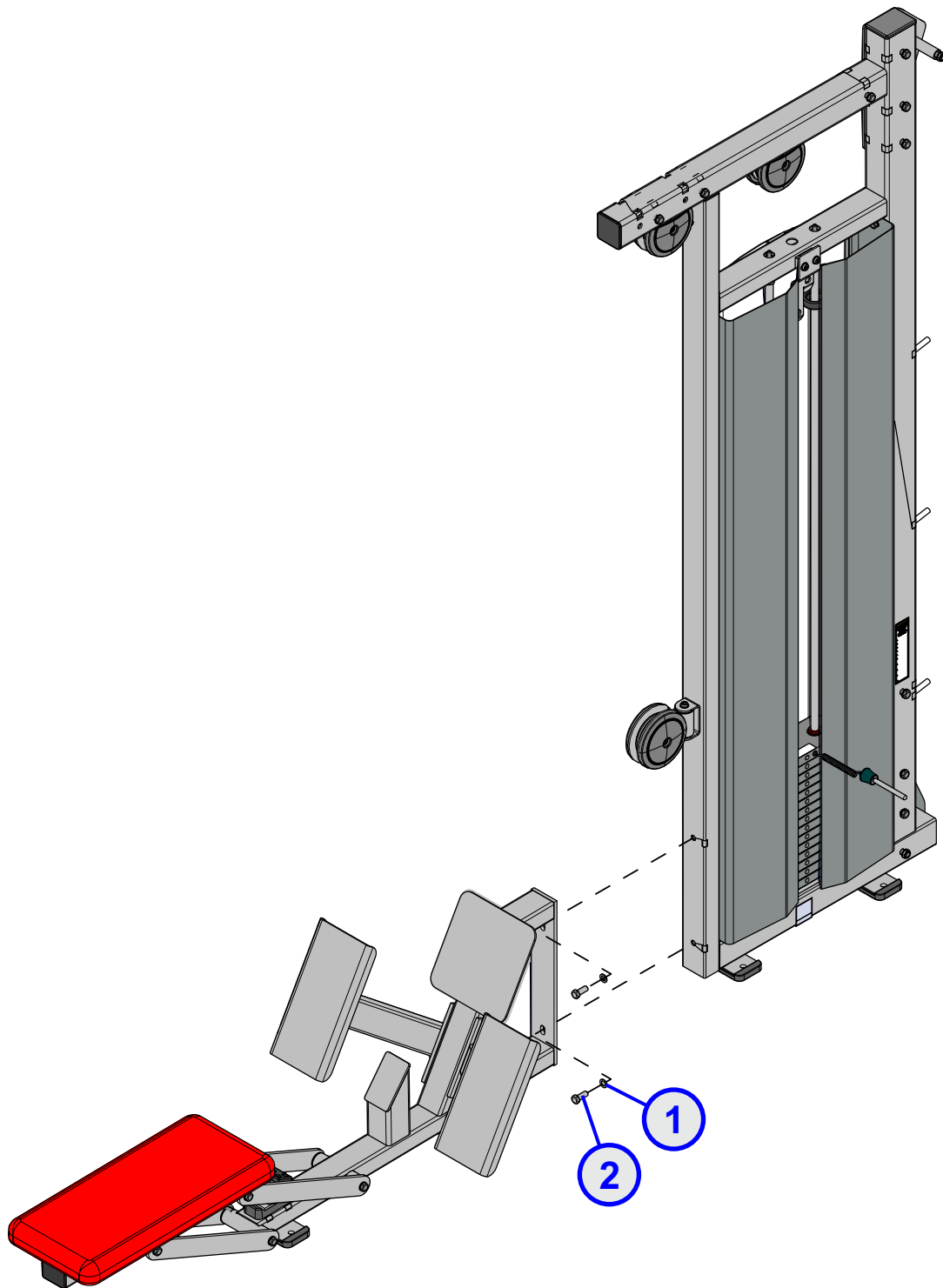


ITEM NO.	QTY.	PART NO.	DESCRIPTION
1	1	8920101	14 HOLE HEAD PLATE/BAYONET SER. KIT ASSY
2	14	7328401	WEIGHT PLATE, 20 LB
3	1	7353001	ASSY, SELECTOR PIN
4	1	7356501	PLUG, LANYARD ATTACHMENT
5	1	7523601	CRIMP, CABLE
6	X	7338001	BUSHING KIT, HEADPLATE
7	1	7927201	LABEL, 390 LB STACK
		7927301	LABEL, 195 KG STACK

# ROW & PULLDOWN

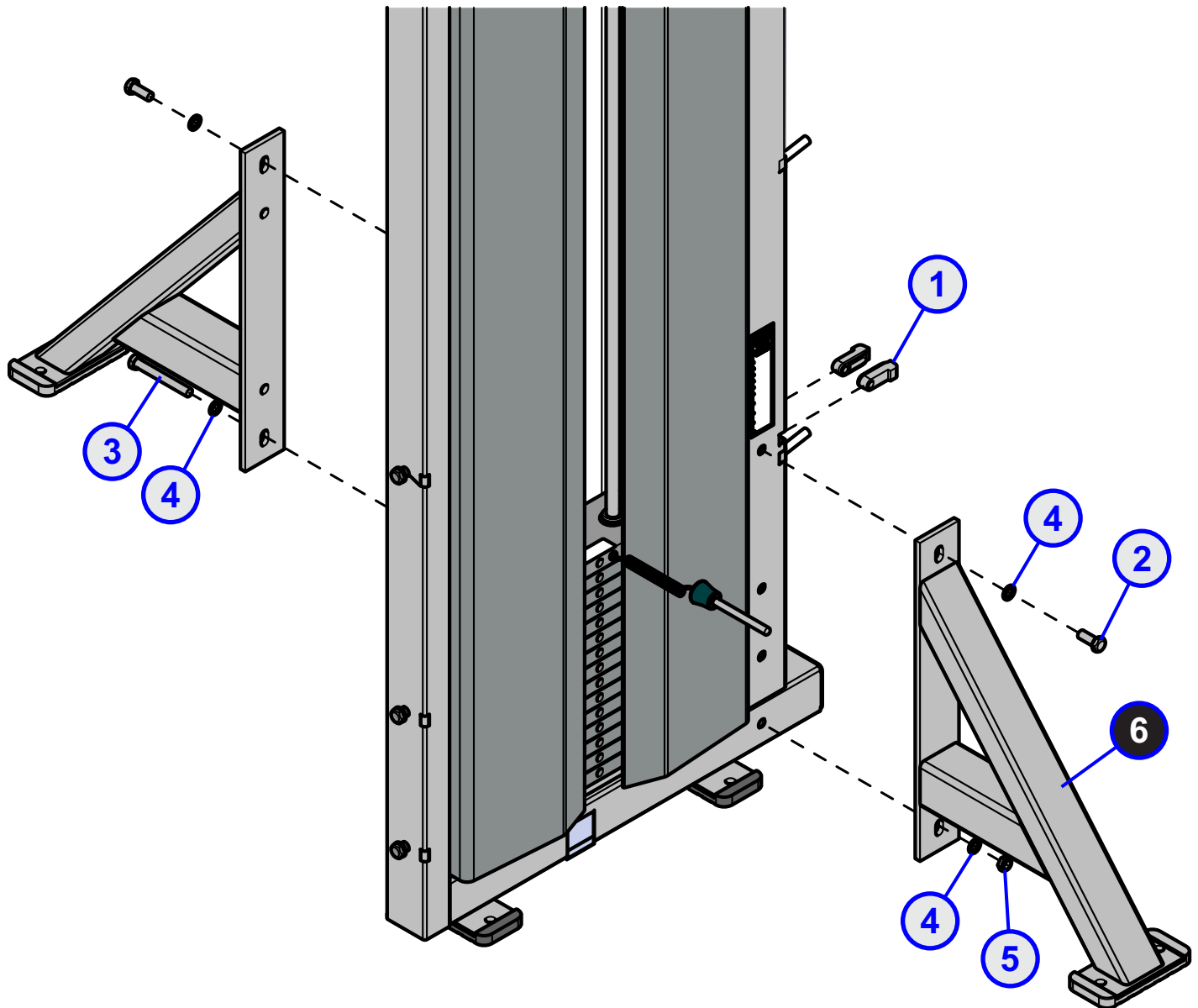
## CONNECTING HARDWARE

SHOWN: HDLROW

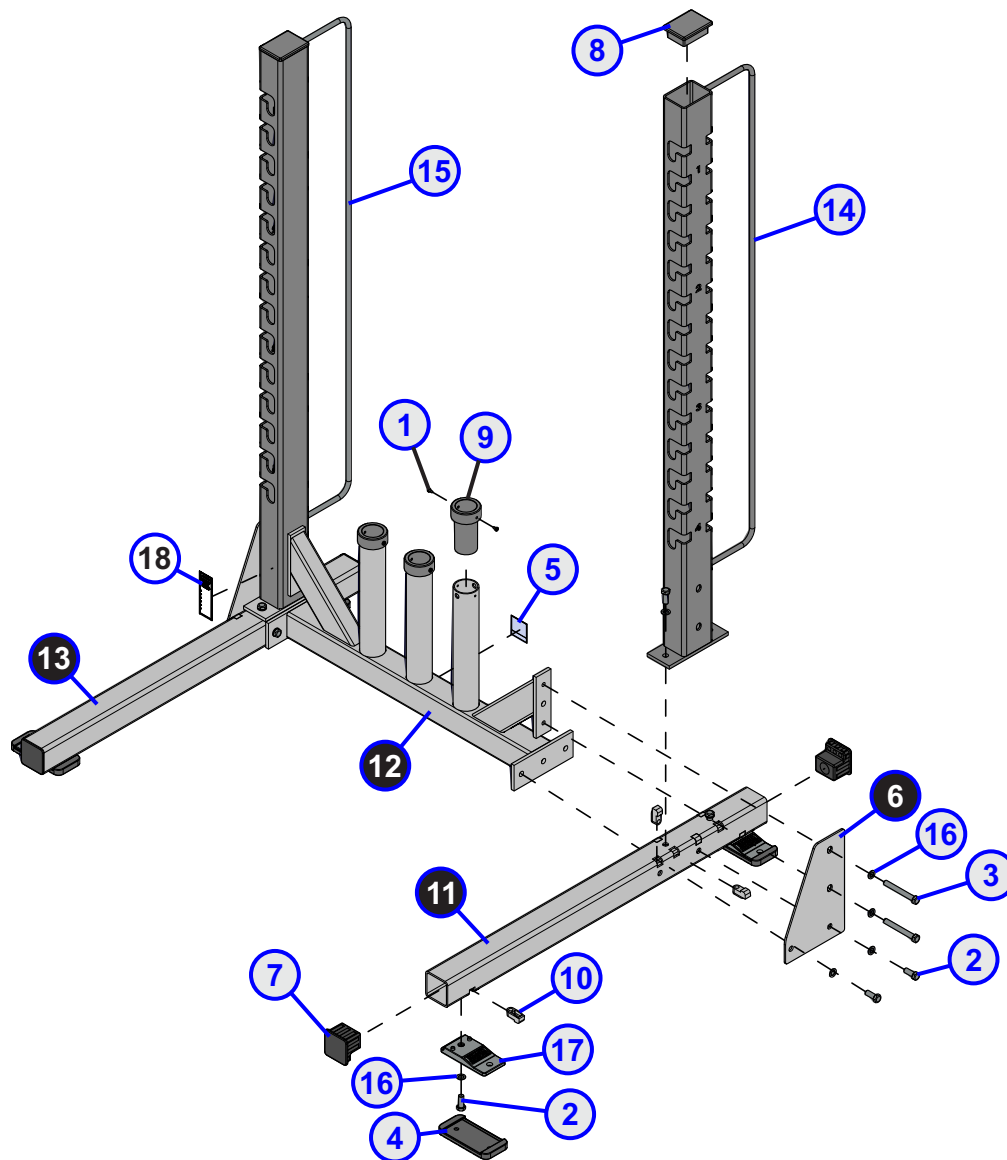


ITEM NO.	QTY.	PART NO.	DESCRIPTION
1	2	WASH.5STAR	1/2 INTERNAL LOCK WASHER
2	2	3272805	1/2 IN - 13X 1.25 IN UNC HHCS G5 ZN

HDLPD  
HDLROW  
HDLDPR



ITEM NO.	QTY.	PART NO.	DESCRIPTION
1	2	9097302	NUT, RECT TUBING, 7GA, 4 IN.
2	2	3272805	1/2 IN - 13X 1.25 IN UNC HHCS G5 ZN
3	1	3272816	1/2 IN.-13 X 4.00 IN. UNC HHCS G5 ZN
4	4	0017-00104-0379	WSH 500- LK-D ST ZN B
5	1	3102804	NUT, NYLOCK 1/2-13 LOW HT
6	2	9301500	WLDMT, HDL, SIDE FRAME



ITEM NO.	QTY.	PART NO.	DESCRIPTION
1	6	3270601	SCREW, #10-32 X 3/8 TRX PAN ST BZ
2	16	3272805	1/2 IN-13 X 1.25 IN UNC HHCS G5 ZN
3	4	3272816	1/2 IN-13 X 4.00 IN UNC HHCS G5 ZN
4	4	MM-9	3 X 6 FLANGE RUBBER SLIPPER
5	1	-	LABEL, SERIAL NUMBER, BLANK
6	2	9016400	PLATE, HDE, ANVIL, LOWER
7	4	9212801	CAP, 3X3 SQ END
8	2	9043101	CAP, END 3 X 4
9	3	9045101	CAP, HDE, LANDMINE, WORK ARM
10	16	9097301	NUT, RECT TUBING, 7GA, 3"
11	1	9503401	TUBE, HDLAC, BASE, RT
12	1	9170000	WLDMT, HDEAC, BASE, X-MEM
13	1	9503501	TUBE, HDLAC, BASE, LT
14	1	9170493	WLDMT, HDEAC, UPRIGHT, RT -HWG
15	1	9170693	WLDMT, HDEAC, UPRIGHT, LT -HWG
16	20	WASH.5STAR	1/2" INTERNAL LOCK WASHER
17	4	9407393	FOOT, HDL - HWG
18	1	89265XX	LABEL, ASTM, OLY VERT