

**HAMMER  
STRENGTH<sup>®</sup>**

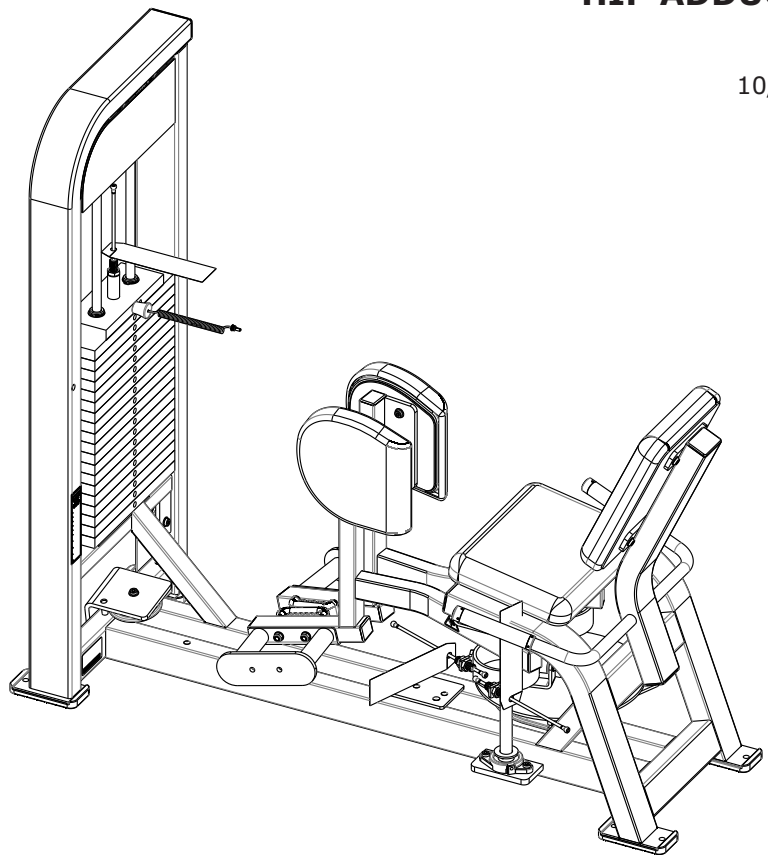
**HAMMER  
STRENGTH<sup>®</sup>**

**HAMMER SELECT**

**PARTS MANUAL**

**HIP ADDUCTION  
HS-HAD**

10/15/2025



# CONTENTS

POWDER COATED COMPONENTS ..... PAGE 3

COMPONENT ASSEMBLY ..... 4

COMPONENT ASSEMBLY LEGEND ..... 5

WEIGHT STACK ASSEMBLY ..... 6

INCREMENT WEIGHT ASSEMBLY ..... 7

ADD-ON WEIGHT ASSEMBLY ..... 8

REAR SHROUD ASSEMBLY ..... 9

FULL SHROUD ASSEMBLY ..... 10

LF CONNECT RETRO-FIT KIT REPLACEMENT PARTS..... 11

LF CONNECT COMPONENTS..... 12

LF CONNECT DEVICE HOLDER, PIVOTING..... 13

**KEY**

**LANGUAGE** 1 2 3

Items with Black call-outs require the language to be listed within the order notes. IE. English

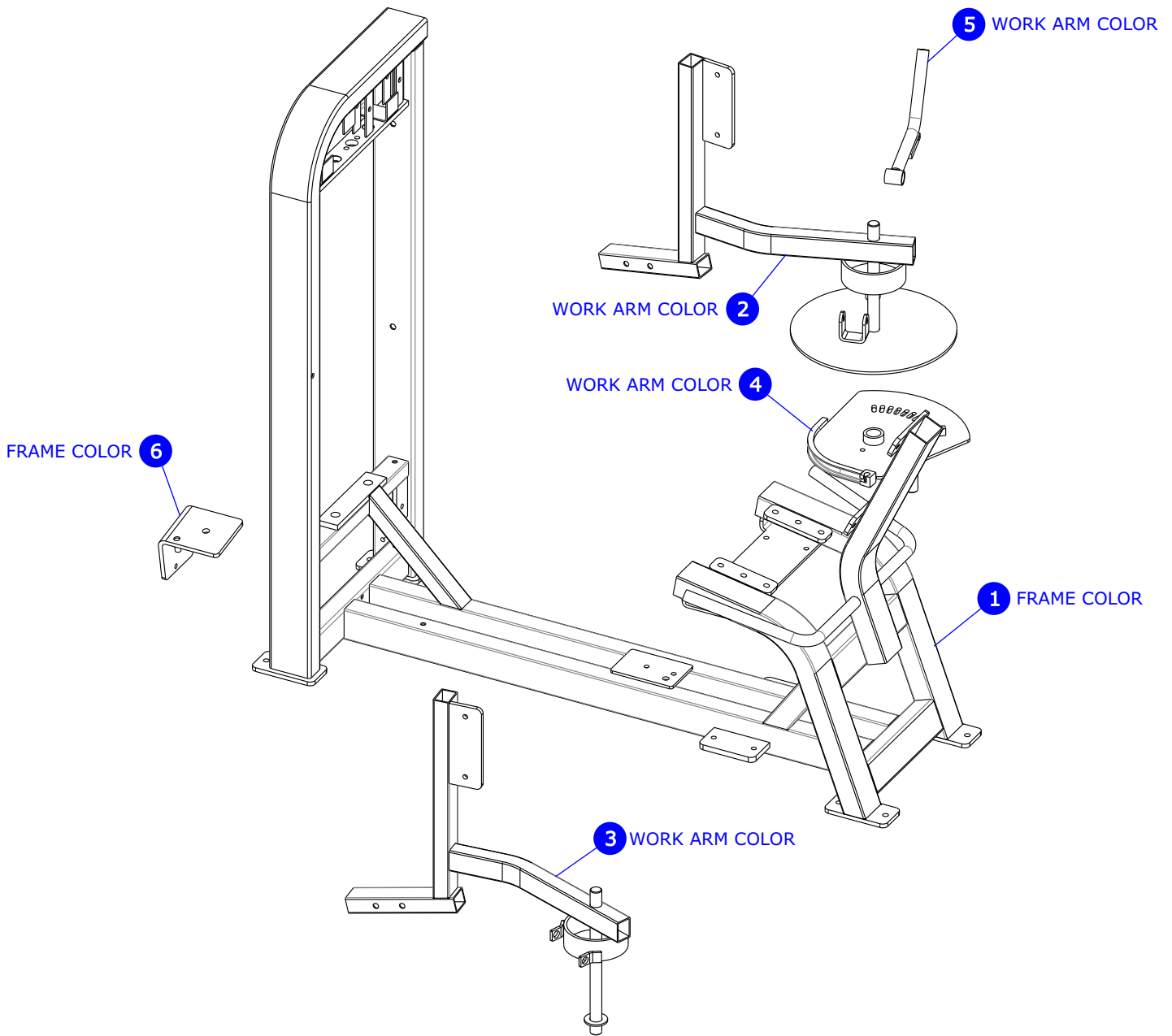
**UPHOLSTERY** 1 2 3

Items with Gray call-outs require the upholstery color listed within the order notes. IE: Putty

**FRAME AND WORK ARM COLORS** 1 2 3

Items with Blue call-outs require the powder coat frame color to be listed within the order notes. Add 'No Clear' after color - IE. Platinum No Clear

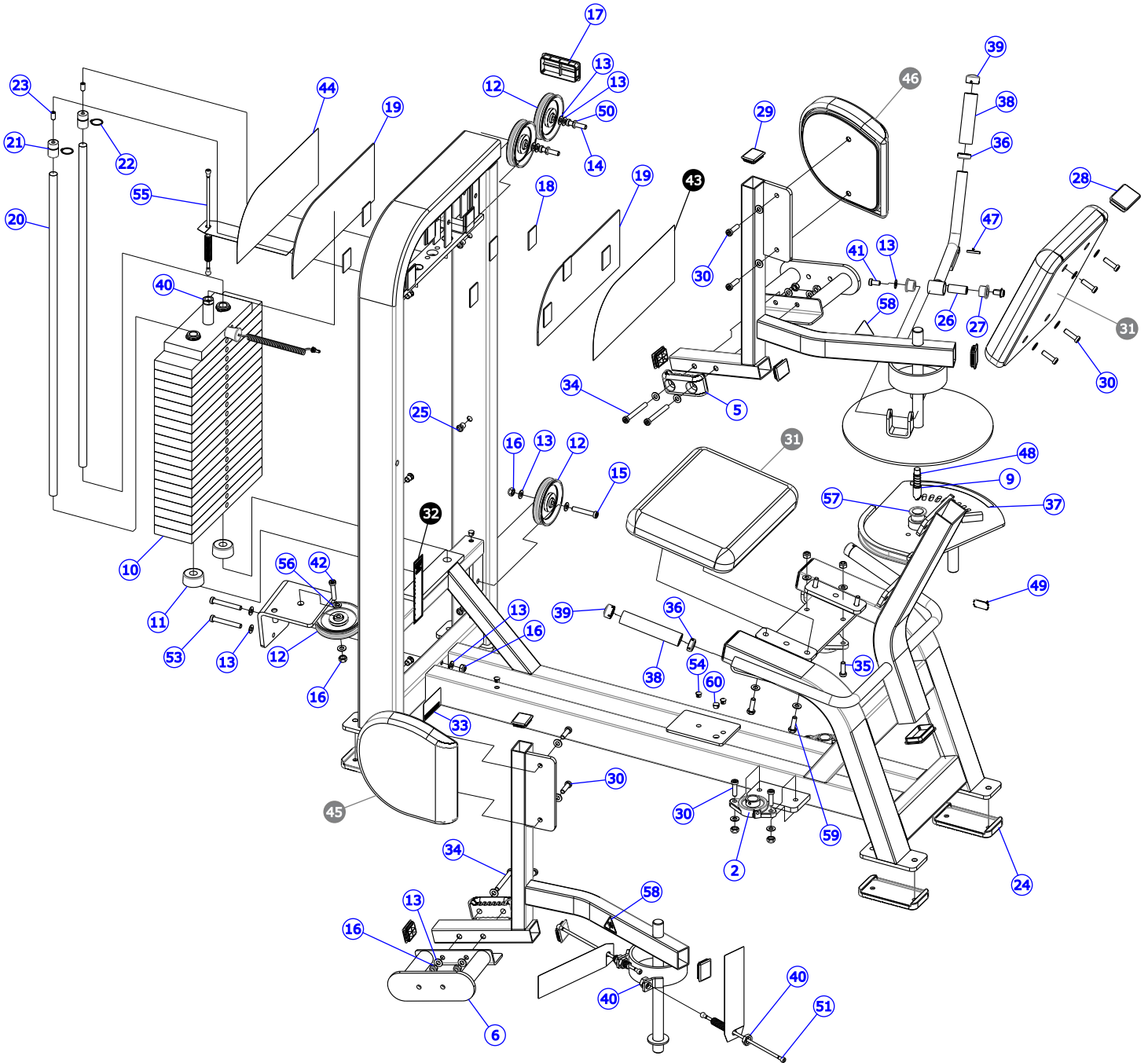
# POWDER COATED COMPONENTS



ITEM NO.	QTY.	PART NO.	DESCRIPTION
1	1	POSSIBLE RMA	WLDMT, PSHAB/HAD MAIN FRAME
2	1	7551299	WLDMT, PIVOT ARM RIGHT PSHAD
3	1	7551499	WLDMT, PIVOT ARM LEFT PSHAD
4	1	7551399	WLDMT, CAM PSHAD
5	1	7551599	WLDMT, ADJUST HANDLE PSHAD/HAB
6	1	7573899	WLDMT, PSHAD/HAB PULLEY BRKT

**ITEMS ON THIS PAGE ARE POWDER COAT PAINTED. REFER TO PAGE 2 FOR ORDERING INSTRUCTIONS.**

# COMPONENT ASSEMBLY

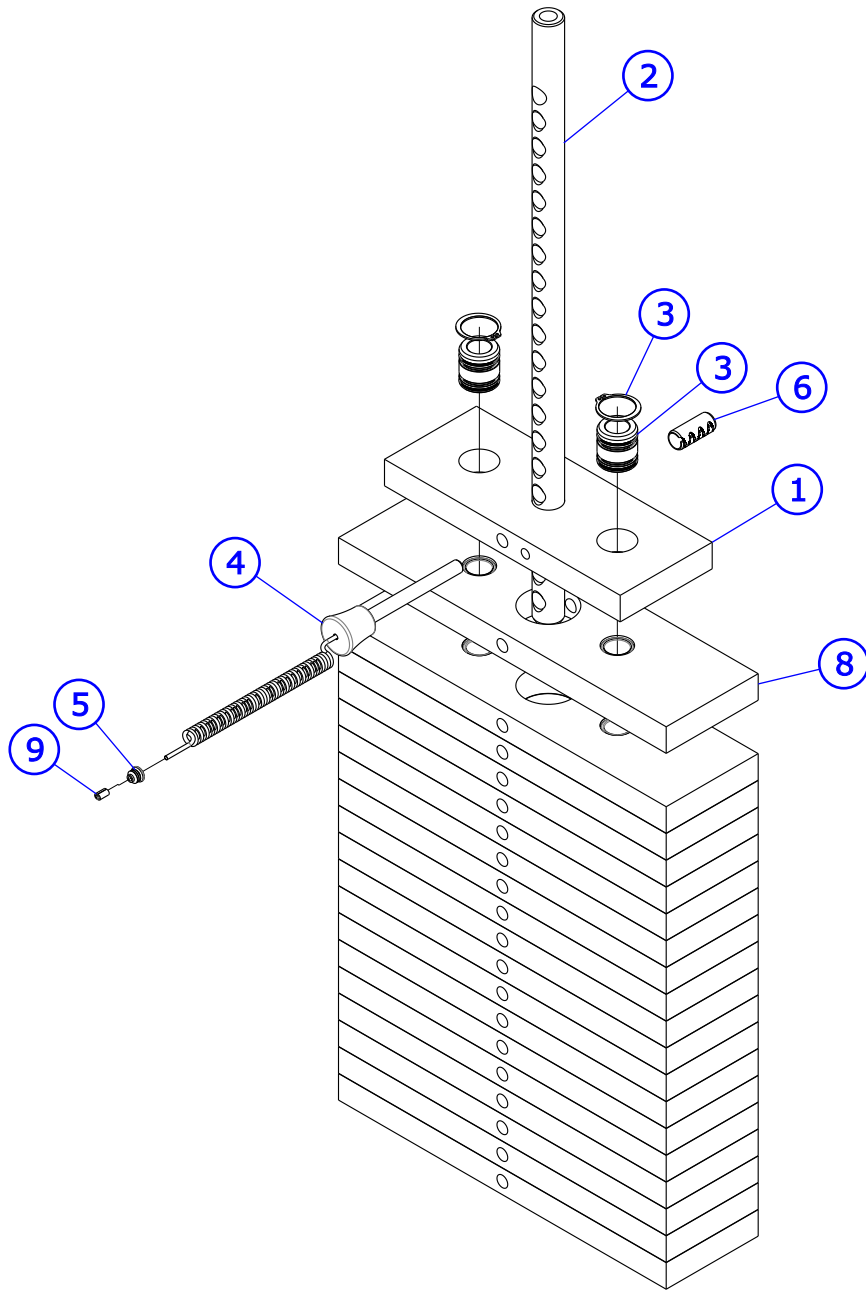


SEE PAGE 5 FOR TABLE

# COMPONENT ASSEMBLY LEGEND

ITEM NO.	QTY.	PART NO.	DESCRIPTION
2	4	3237701	ASSY, PILLOW BLOCK 4.88 X 2.75
5	2	7352001	BUMPER, 2-1/8 X 4-5/8
6	2	7551101	WLDMT, FOOT SUPPORT
9	1	7549901	PIN, SPRING PSHAD/HAB
10	1	-	ASSY, 300LB STACK
11	2	7352101	CUSHION, WEIGHT STACK
12	4	3237801	PULLEY, 4.5" OD
13	41	3236601	WASHER, 3/8 SAE SS
14	2	3236206	SCREW, M10 X1.5 45MM
15	1	3236209	SCREW, M10 X1.5 60MM
16	16	3236801	NUT, M10 HEX NYLOCK SS
17	1	9462701	CAP, HAMMER, END 2 X 4
18	12	7544202	PAD, DUAL LOCK 250 1.5" X 2.0"
19	2	9169401	COVER, STACK-PRO2 STD
20	2	7328614	GUIDE ROD, .75 OD SOLID 35.38
21	2	7402301	RETAINER, GUIDEROD
22	2	3232421	RING, BRE .940, 5100-100 ST PP B
23	2	3240501	M10 X 1.5 HXS NO CUP ST BO
24	4	MM-9	3 X 6 FLANGE RUBBER SLIPPER
25	6	3238601	M10X1.5 BLIND THREADED INSERT (HEX)
26	1	7324802	SHAFT, TAPPED 0.75 DIA X 1.800
27	2	3104901	.75" ID 1.00" OD BRONZE BUSHING
28	4	7352301	CAP, END 2 X 3
29	8	RC1520-1Q1	CAP:1-1/2 X 2 RECTANGLE PLUG
30	12	3236204	SCREW, M10 X1.5 35MM
31	2	7422199	PAD, BACK 15 X 11-1/4
32	1	8220099	LABEL, ASTM WARNING SELECT
33	1	7571301	LABEL, SERIAL NUMBER, BLANK
34	4	3236214	SCREW, M10 X1.5 85MM
35	4	3236203	SCREW, M10 X1.5 30MM
36	3	7662801	RING, GRIP 1.25 OD
37	1	7806001	LABEL, PSHAD 1-9 CURVED
38	3	3235801	GRIP, OPEN END
39	3	7662901	CAP, GRIP 1.25 OD
40	5	3236902	NUT, HEX JAM M16 X 2 SS
41	2	3236201	SCREW, M10 X1.5 20MM
42	1	3236207	SCREW, M10 X1.5 50MM
43	1	9468299	LABEL, PSHAD PLACARD
44	1	9468301	LABEL, PSHAD LOGO PANEL
45	1	7549599	PAD, HIP ADDUCTOR LH
46	1	7549699	PAD, HIP ADDUCTOR RH
47	1	3110011	ROLL PIN, 3/16 X 1-1/4
48	1	7351501	SPRING, PULL PIN LARGE
49	1	7570801	GUARD, PAINT 1.25"x.75"x.25"
50	2	3236901	NUT, HEX JAM M10 X 1.5 SS
51	2	7573701	CABLE, PSHAD/HAB
53	2	3236212	SCREW, M10 X1.5 75MM
54	17	3237401	PLUG, 7/16" HOLE
55	1	7423712	CABLE, PSHAD/HAB
56	1	7348101	WASHER, SPACER
57	2	3104903	1.00" ID 1.25" OD BRONZ BUSHING
58	2	8039501	LABEL, WARNING, TRIANGLE
59	4	3251204	SCREW, M10 X1.5 X 35MM UNS HEX CS ST ZN
60	1	3237402	PLUG, 1/2" HOLE

# WEIGHT STACK ASSEMBLY

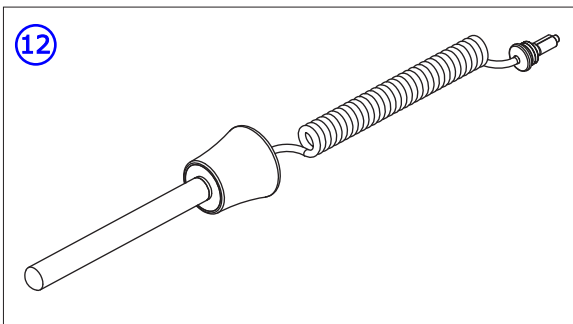


10

10	○
25	○ 25
40	○ 40
55	○ 55
70	○ 70
85	○ 85
100	○ 100
115	○ 115
130	○ 130
145	○ 145
160	○ 160
175	○ 175
190	○ 190
205	○ 205
220	○ 220
235	○ 235
250	○ 250
265	○ 265
280	○ 280
295	○ 295
	○
5	○ 5
Lbs.	○ Lbs.

11

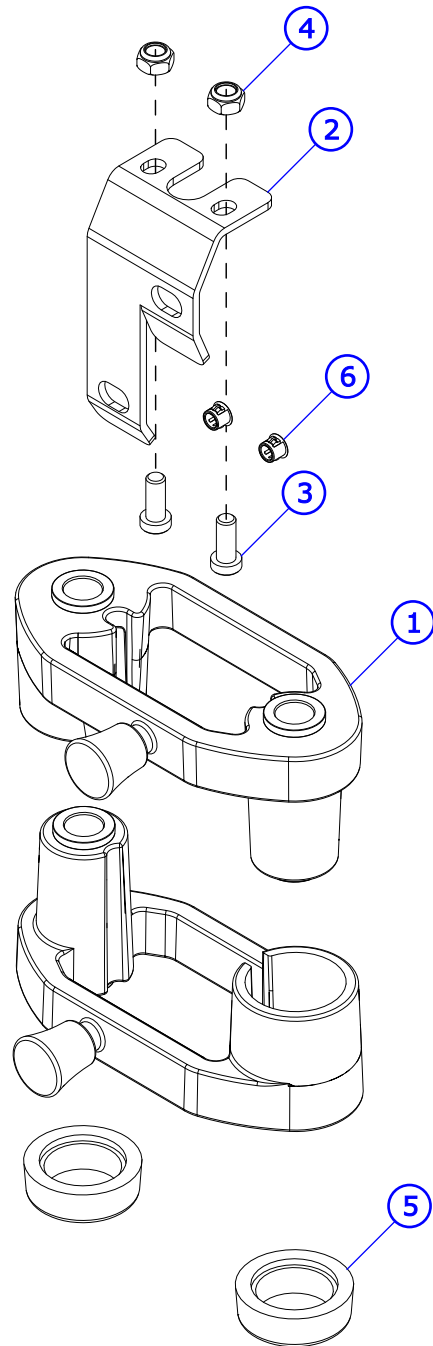
5	○
12	○ 12
19	○ 19
26	○ 26
33	○ 33
40	○ 40
47	○ 47
54	○ 54
61	○ 61
68	○ 68
75	○ 75
82	○ 82
89	○ 89
96	○ 96
103	○ 103
110	○ 110
117	○ 117
124	○ 124
131	○ 131
138	○ 138
	○
2.5	○ 2.5
Kg.	○ Kg.



ITEM NO.	QTY.	PART NO.	DESCRIPTION
1	1	7353901	HEADPLATE, WT. STACK
2	1	7356601	STEM, PRO2 19 HOLE
3	2	7338001	BUSHING, HEADPLATE
4	1	7353001	ASSY, SELECTOR PIN
5	1	7356501	PLUG, LANYARD ATTACHMENT
6	1	3236001	BUSHING, SPRING PIN
8	19	7353801	ASSY, 15 LB PLATE
9	1	7523601	CRIMP, CABLE
10	1	7987201	LABEL, 300 LB STACK
11	1	7987401	LABEL, 138 KG STACK
12	1	1028860-0001	ASSY: WEIGHT STACK PIN/CRIMP

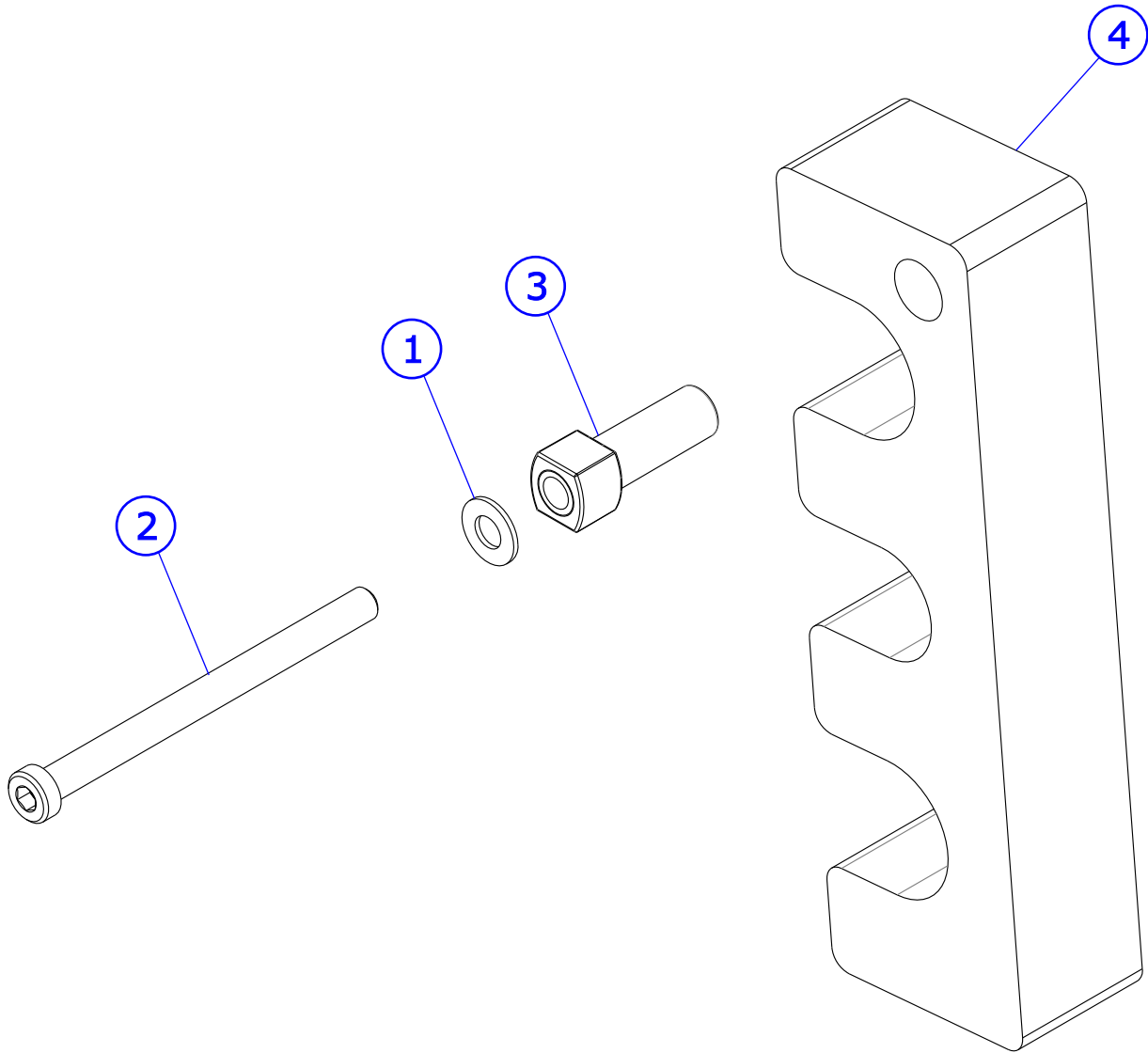
# INCREMENT WEIGHT ASSEMBLY

SE TRIM



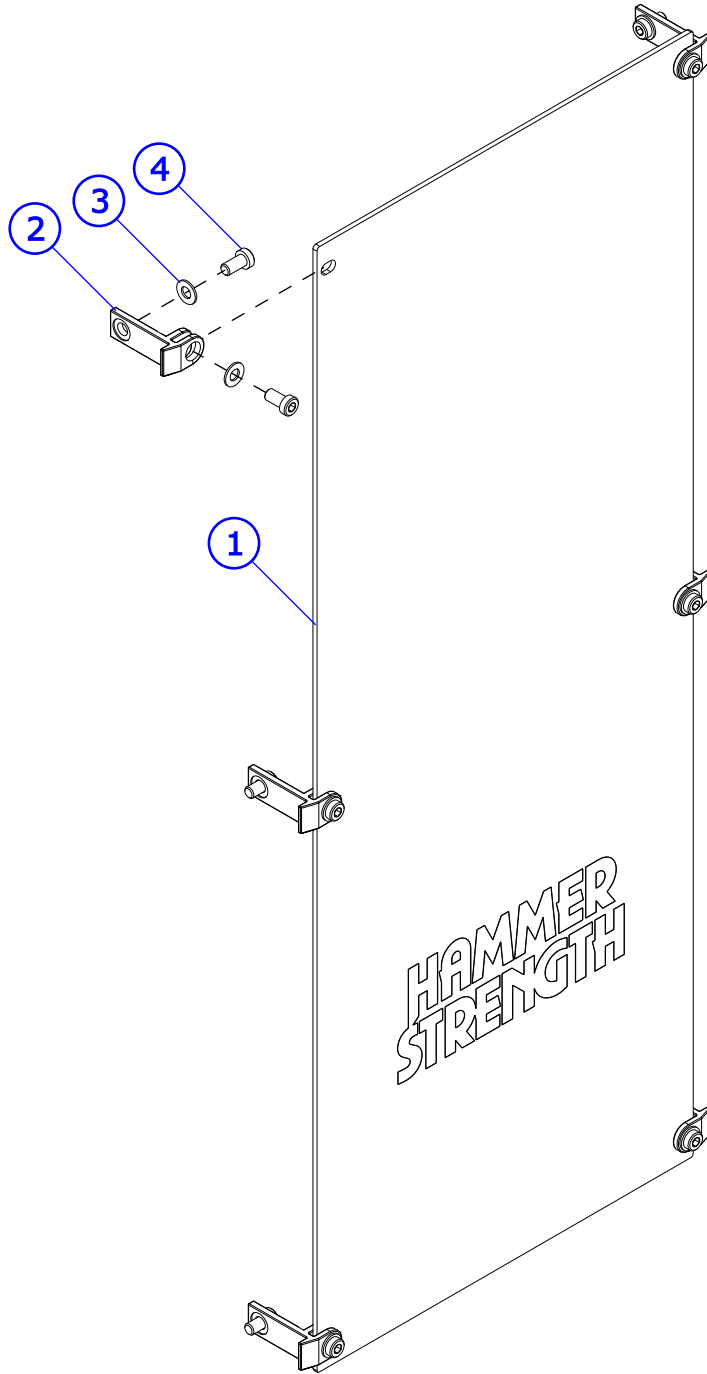
NOTE: ADHERE TO HEAD PLATE

ITEM NO.	QTY.	PART NO.	DESCRIPTION
1	2	8047001	ASSY, PS, INCREMENT WEIGHT
2	1	1012781-0001	PLATE, INCREMENT WEIGHT STRIKER
3	2	3236202	M10 X 1.5 X 25 SHCS, LOW HEAD
4	2	3236801	NUT, NYLOCK M10 X 1.5 SS
5	2	7767601	BUMPER, PS INCREMENT
6	2	3237401	PLUG, 7/16" HOLE



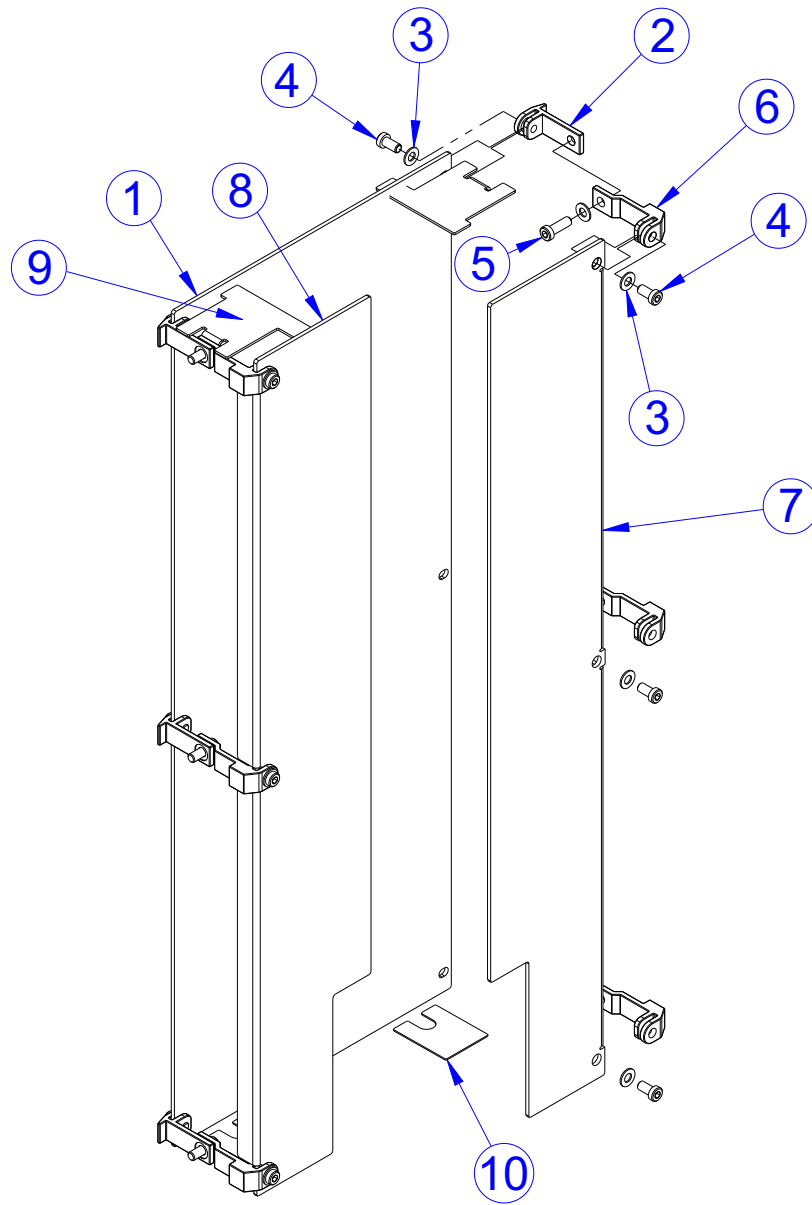
ITEM NO.	QTY.	PART NO.	DESCRIPTION
1	1	3236601	WASHER, 3/8 SAE SS
2	1	3236220	SCREW, M10 X1.5 130MM
3	1	7401701	COVER, PLASTIC PEG
4	1	7366101	WEIGHT, 7.5 LB. ADD-ON

# REAR SHROUD ASSEMBLY



ITEM NO.	QTY.	PART NO.	DESCRIPTION
1	1	9475701	SHROUD, HS REAR 42.50 X 16.43
2	6	7655301	BRACKET, PS REAR SHIELD
3	12	3236601	WASHER, 3/8 SAE SS
4	12	3236201	SCREW, M10 X1.5 20MM

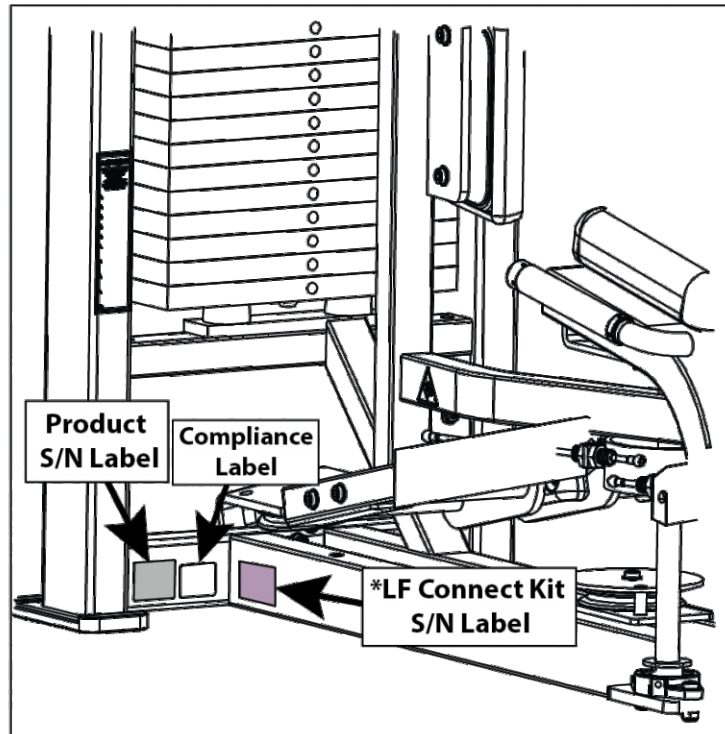
# FULL SHROUD ASSEMBLY



ITEM NO.	QTY.	PART NO.	DESCRIPTION
1	1	7376801	SHIELD, PS REAR 42.5
2	6	7655301	BRKT, PS REAR SHIELD
3	18	3236601	WASHER,3/8 SAE STAINLESS STEEL
4	12	3236201	M10 X 1.5 X 20 HXS SOC CS SS
5	6	3236203	M10 X 1.5 X 30 HXS SOC CS SS
6	6	7376601	BRACKET, PS FRONT SHIELD
7	1	7544101	SHIELD, PSHAB/HAD FRONT RHT
8	1	7582301	SHIELD, PSHAB/HAD FRONT LFT
9	2	7657401	PLATE, PRO2 SHROUD SPCR
10	2	7570901	PLATE, PS SHIELD STAND-OFF

# LF CONNECT RETRO-FIT KIT REPLACEMENT PARTS

**NOTE: LF Connect label located next to the machine serial number label. Placement location on the frame is machine dependent.**



**Product S/N Label**

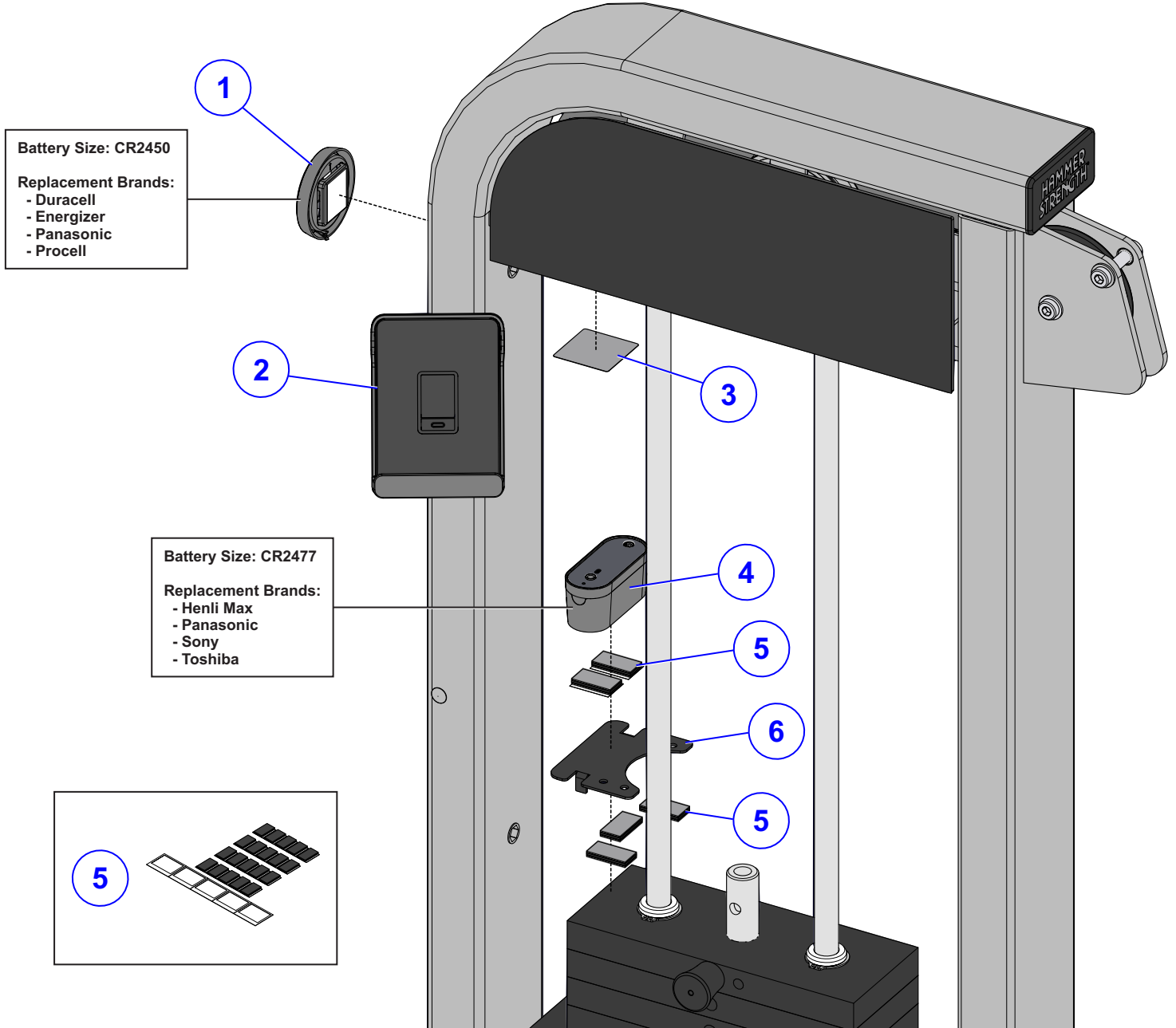


**\*LF Connect Retro-Fit Kit S/N Label**



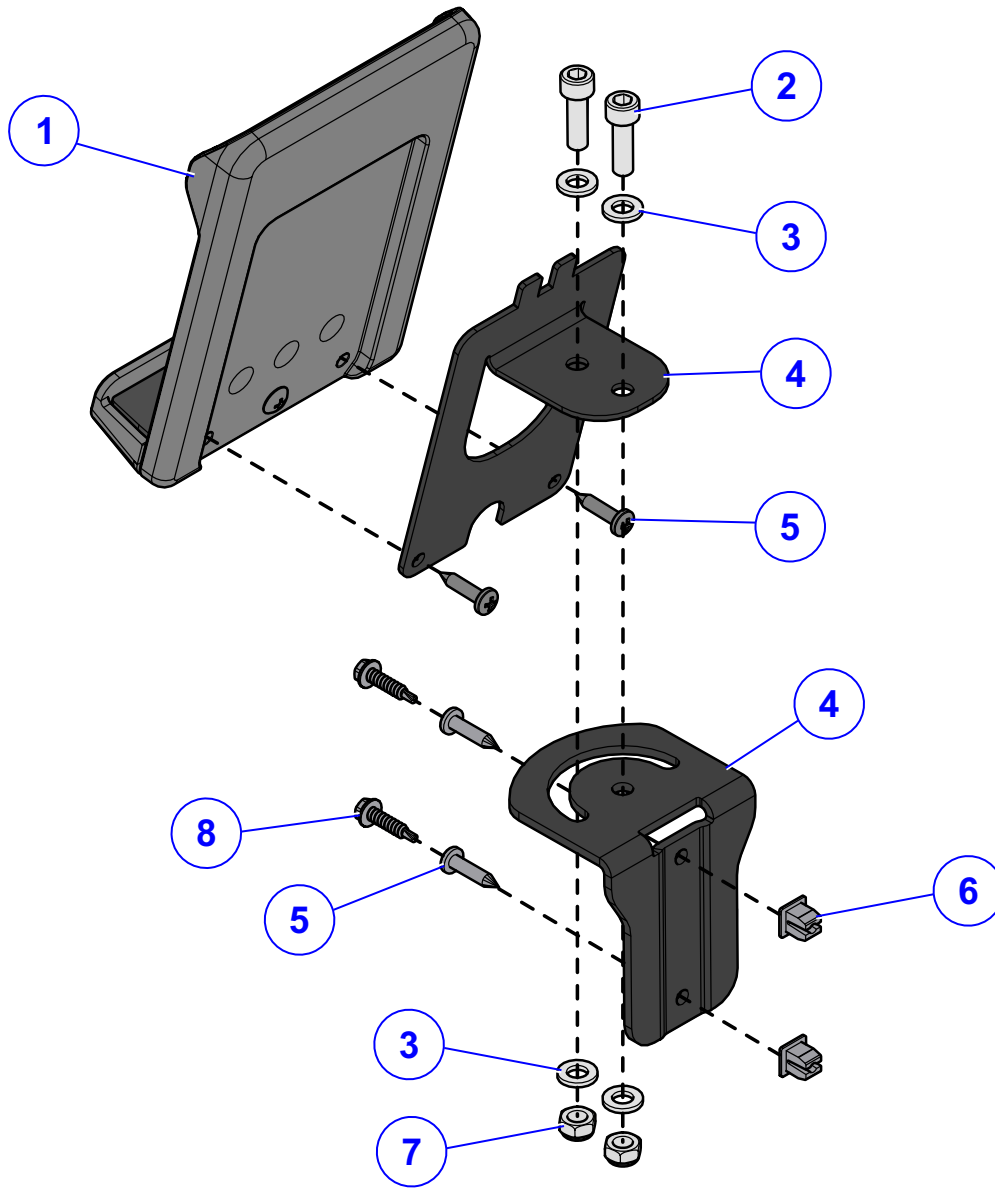
\* For LF Connect internet connectivity retro-fit kit replacement parts, please use the LF Connect retro-fit kit serial number on the LF Parts store: <https://fn.fit/Part Store> to access the related part manual.

# LF CONNECT COMPONENTS



ITEM NO.	QTY.	PART NO.	DESCRIPTION
1	1	1023949-0001	ASSEMBLY: LF CONNECT, PUCK
2	1	1025081-0001	KIT: DEVICE HOLDER, PIVOTING
3	1	1023952-0001	TAPE: REFLECTOR FILM, M50X50
4	1	1023947-0001	NC ASSEMBLY: LF CONNECT, MAIN UNIT
5	1	1025095-0001	KIT: SELF INTERLOCKING TAPE & WIPES
6	1	1024353-2801	PLATE: LF CONN, MU ADAPTER, 14GA -CHR

# LF CONNECT DEVICE HOLDER, PIVOTING



ITEM NO.	QTY.	PART NO.	DESCRIPTION
1	1	1016970-0001	SHELF: DEVICE HOLDER SUBSASSY
2	2	3241701	M6 X 1 X 20MM SHCS, STD HEAD
3	4	3241801	WASHER, FLAT 6MM SS
4	1	1025081-0001	KIT: DEVICE HOLDER, PIVOTING
5	4	3275801	SCREW, 8 X 3/4 DIN PHL PAN AB ST ZB
6	2	0017-00042-1147	GROMMET: SCREW, 8 OR 10
7	2	3236802	NUT, M6 X 1 HEX NYLOCK SS
8	2	1018964-0001	SCREW: #8-18 X 3/4, SELF-DRILL, HWH, BZ