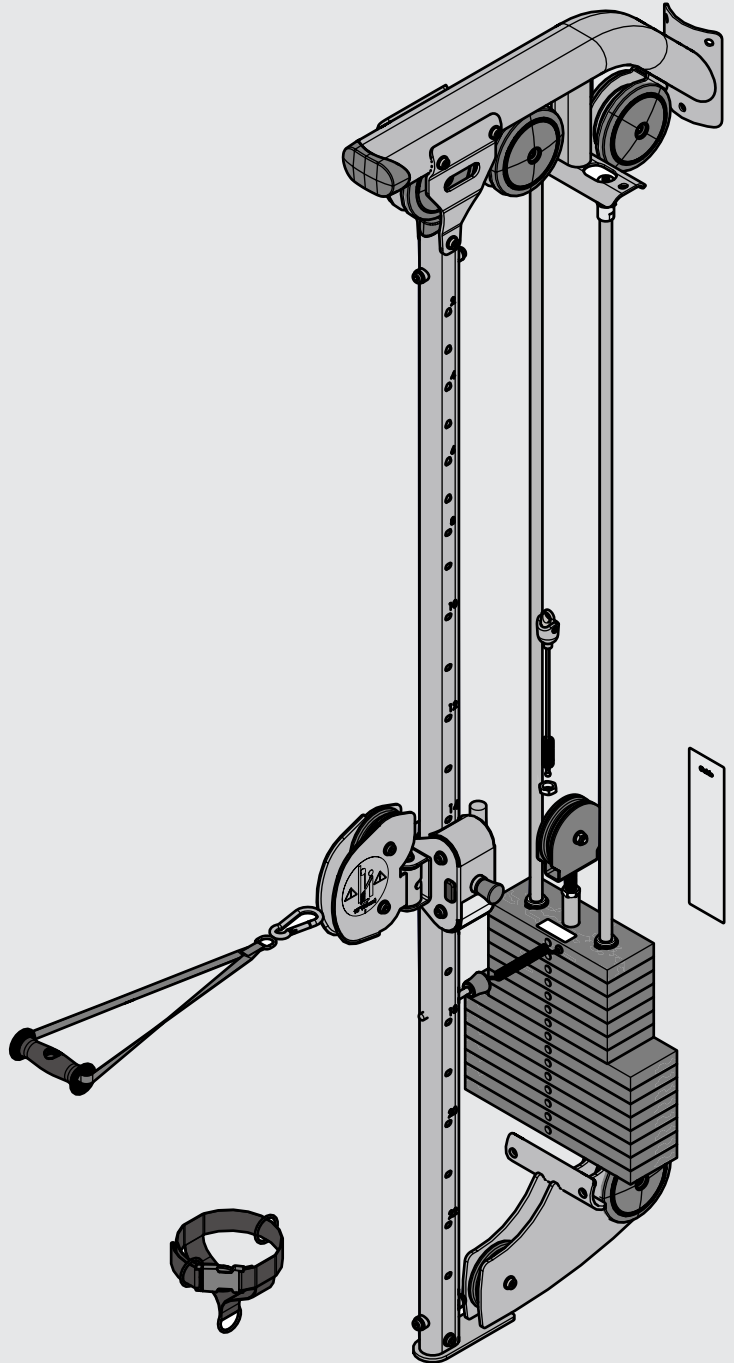


# Signature Series Multi-Jungle Adjustable Pulley MJAP

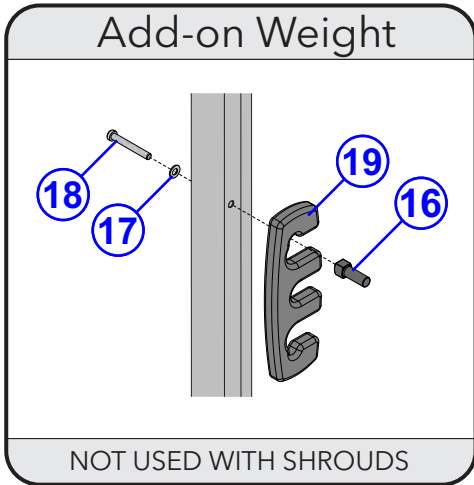
## Parts Manual



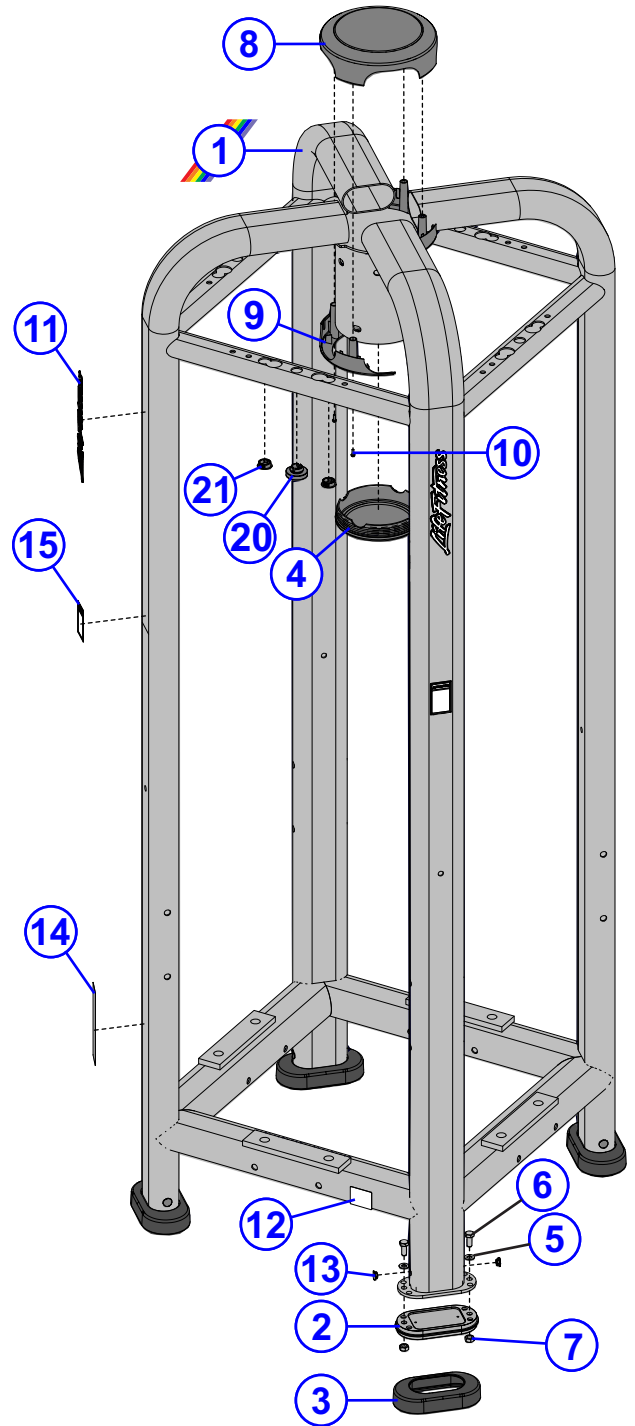
# MJAP - Adjustable Pulley Contents

MJCORE Assembly .....	3
Painted Frame Weldments .....	4
Component Assembly .....	5
Component Assembly Table .....	6
Boom Assembly .....	7
Base Support Assembly .....	8
Carriage Assembly .....	9
Column Assembly .....	10
190 Pound Weight Stack Assembly .....	11
Front Shroud Assembly .....	12
Wrapped Shroud Assemblies .....	13

# MJAP - Adjustable Pulley MJCORE Assembly

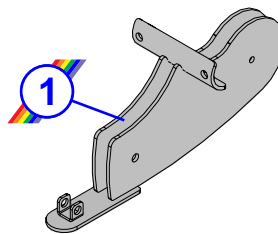
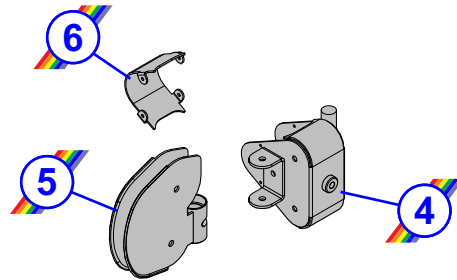
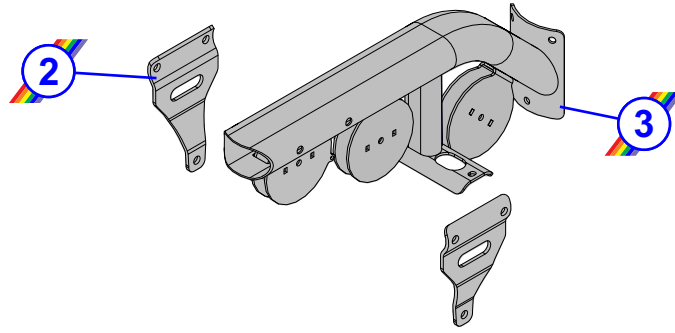


ITEM NO.	QTY.	PART NO.	DESCRIPTION
1	1	1003329-0000	WLDMT, MJCORE
2	4	7334001	FOOT, 2.50 X 4.49 FLOV
3	4	7340201	COVER, FOOT - STRAIGHT
4	1	7640401	COVER, BOTTOM CAP
5	8	3236601	WASHER, 3/8 SAE SS
6	8	3251202	SCREW, M10 X1.5 X 25MM UNS HEX CS ST ZN
7	8	3254703	NUT, M10 X 1.5 HEX ZINC
8	1	7629201	COVER, CENTER TOP
9	2	7629801	COVER, CENTER BOTTOM
10	4	3236501	M4 X 0.7 PHIL PAN MS ST ZN
11	4	8866901	LABEL, LF LOGO 10" - FLAT (CHROME)
12	1	-	LABEL, SERIAL NUMBER, BLANK
13	8	7646801	PLUG, CURVED HOLE
14	1	82200XX	LABEL, ASTM WARNING SELECT
15	3	91411XX	LABEL, WARN, STRAP TRAIN
16	1	7401701	COVER, PLASTIC PEG 2.25" -SG
17	1	3236601	WASHER, 3/8 SAE SS
18	1	3236212	SCREW, M10 X1.5 75MM
19	1	7711501	WEIGHT, 5 LB. ADD-ON
20	4	7642301	BUMPER, CM/MJ/OSDAP, PLUG
21	8	3237403	PLUG, 1 IN HOLE



NOTE: Indicates color item  
 Indicates language item

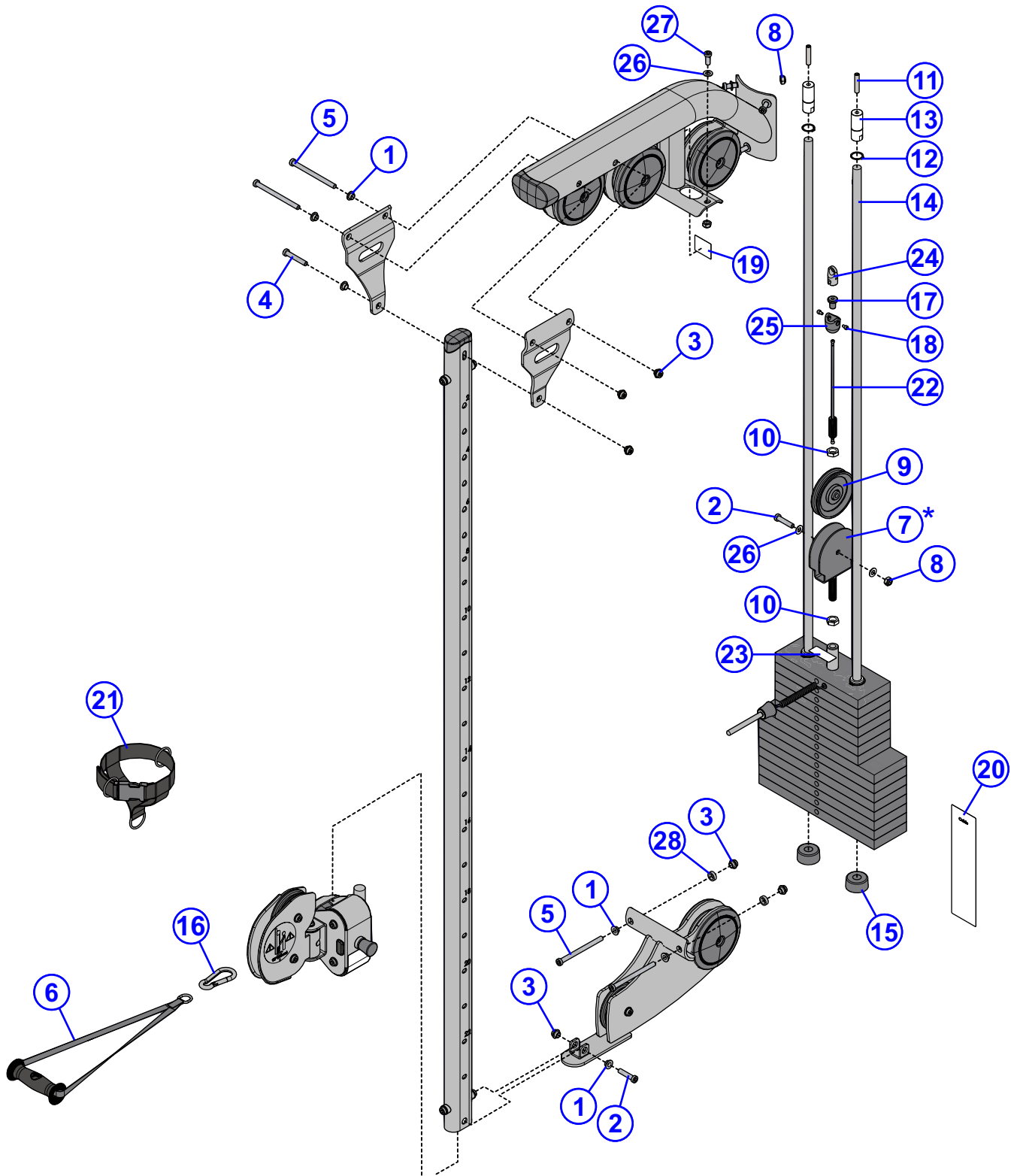
# MJAP - Adjustable Pulley Painted Frame Weldments



ITEM NO.	QTY.	PART NO.	DESCRIPTION
1	1	7634801	WLDMT, MJ ADJ PULLEY BASE
2	2	7780301	BRKT, MJAP, ADJ TUBE TOP
3	1	7635201	WLDMT, MJAP BOOM
4	1	8327601	WLDMT, MJ ADJ PULLEY CARRIAGE
5	1	7633301	WLDMT, CM/MJ, SWIVEL PULLEY
6	1	7631801	BRKT, CM/MJ, CARRIAGE SHROUD

NOTE:  Indicates color item

# MJAP - Adjustable Pulley Component Assembly



\* If ordering Item 7, include Item 2 (qty. 1) and Items 26 (qty. 2)

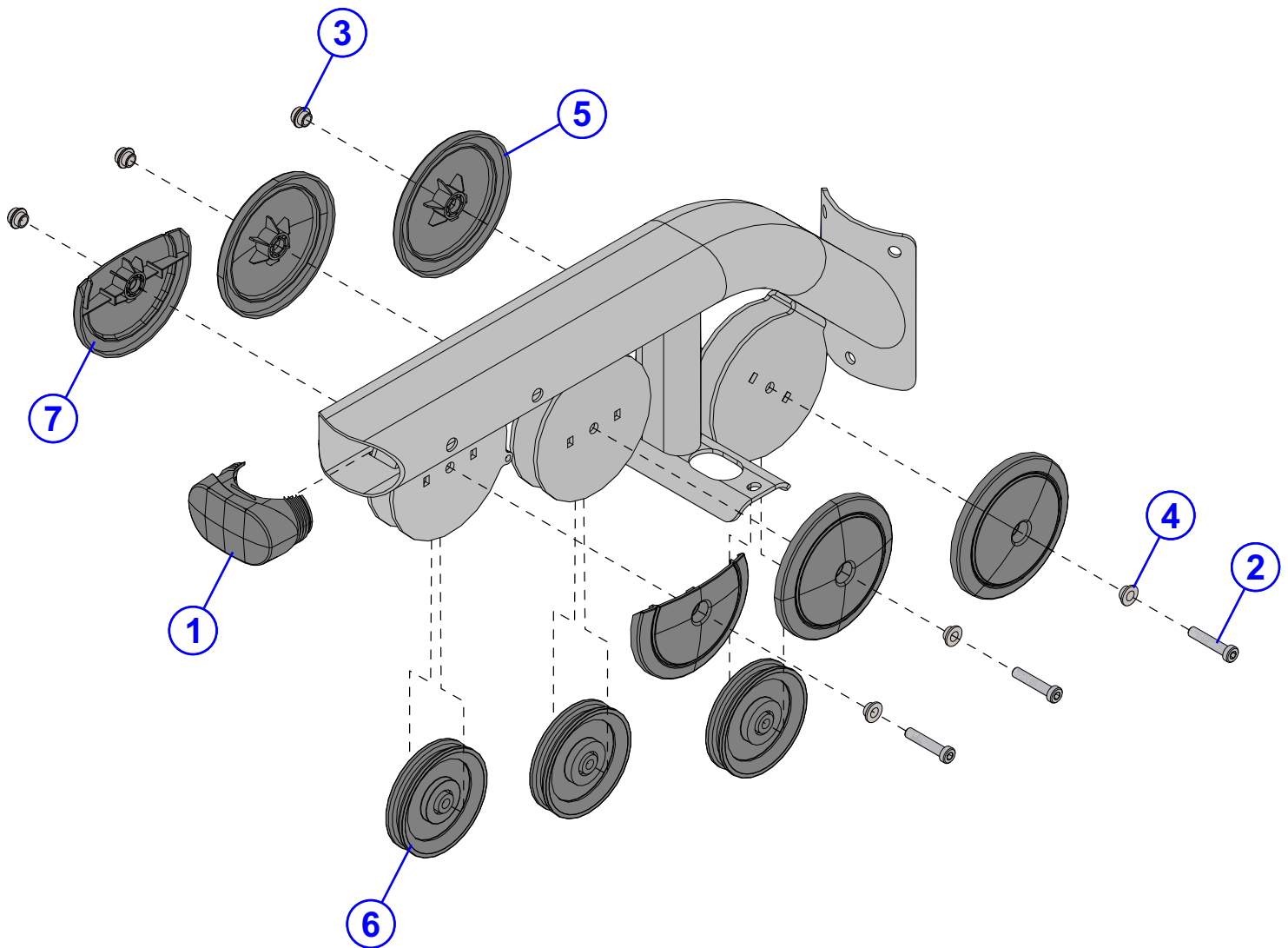
See page 6 for table

# MJAP - Adjustable Pulley Component Assembly Table

ITEM NO.	QTY.	PART NO.	DESCRIPTION
1	6	7630101	RETAINER, CM/MJ PULLEY
2	2	3236207	SCREW, M10 X1.5 50MM
3	6	7335401	NUT, M10 X 1.5 SOCKET HEAD
4	1	3236209	SCREW, M10 X1.5 60MM
5	4	3236220	SCREW, M10 X1.5 130MM
6	1	8219701	HANDLE, CM/MJ, LONG STRAP
7	1	1013240-9301	WELDMENT: FLOATING SINGLE PULLEY -SGR
8	6	3236801	NUT, M10 HEX NYLOCK SS
9	1	3237801	PULLEY, 1/4 IN CABLE (T3), 4.5 IN OD
10	2	3236902	NUT, HEX JAM M16 X 2 SS
11	2	3240502	M10 X 1.5 X 50 HXS NO CUP ST BO
12	2	3232421	RING, BRE .940, 5100-100 ST PP B
13	2	7634401	RETAINER, CM/MJ, GUIDEROD
14	2	7328618	GUIDE ROD, .75 OD SOLID 71.50
15	2	7352101	CUSHION, WEIGHT STACK
16	1	3250201	SNAP LINK, 3/8" DIA
17	1	8943801	INSERT, CM/MJ, CABLE END
18	2	3250002	M5 X 0.8 HXS SOC CS ST BZ X 8
19	1	-	LABEL, SERIAL NUMBER, BLANK
20	1	1003313-00XX	LABEL, PLACARD, MJ CABLE
21	1	7734701	STRAP, 4-WAY ANKLE
22	1	8946907	CABLE, MJAP/AXO
23	1	77445XX	LABEL, WEIGHT AT HANDLE
24	1	8943601	LINK, CM/MJ, CABLE END
25	1	8943701	HSNG, CM/MJ, CABLE END
26	7	3236601	WASHER, 3/8 SAE STAINLESS STEEL
27	5	3236202	M10 X 1.5 X 25 SHCS, LOW HEAD
28	2	7634701	SPACER, CM/MJ, .565 X .815

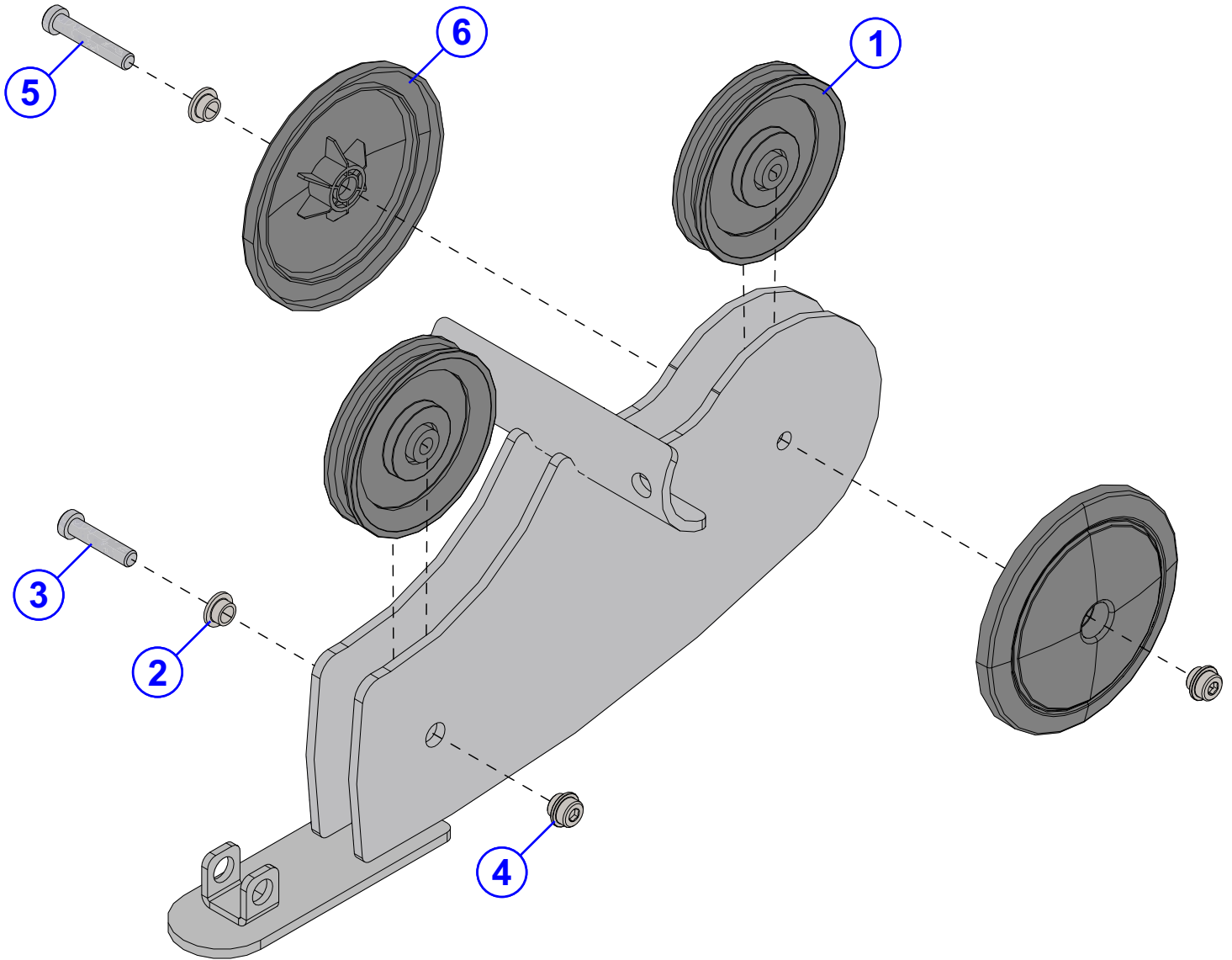
NOTE: **XX** Indicates language item

# MJAP - Adjustable Pulley Boom Assembly



ITEM NO.	QTY.	PART NO.	DESCRIPTION
1	1	7333901	CAP, LARGE FLOW- END
2	3	3236207	SCREW, M10 X1.5 50MM
3	3	7335401	NUT, M10 X 1.5 SOCKET HEAD
4	3	7630101	RETAINER, CM/MJ, PULLEY
5	4	7629901	COVER, PULLEY- BOLTED FULL
6	3	3237801	PULLEY, 4.5" OD
7	2	7630001	COVER, PULLEY BOLTED PARTIAL

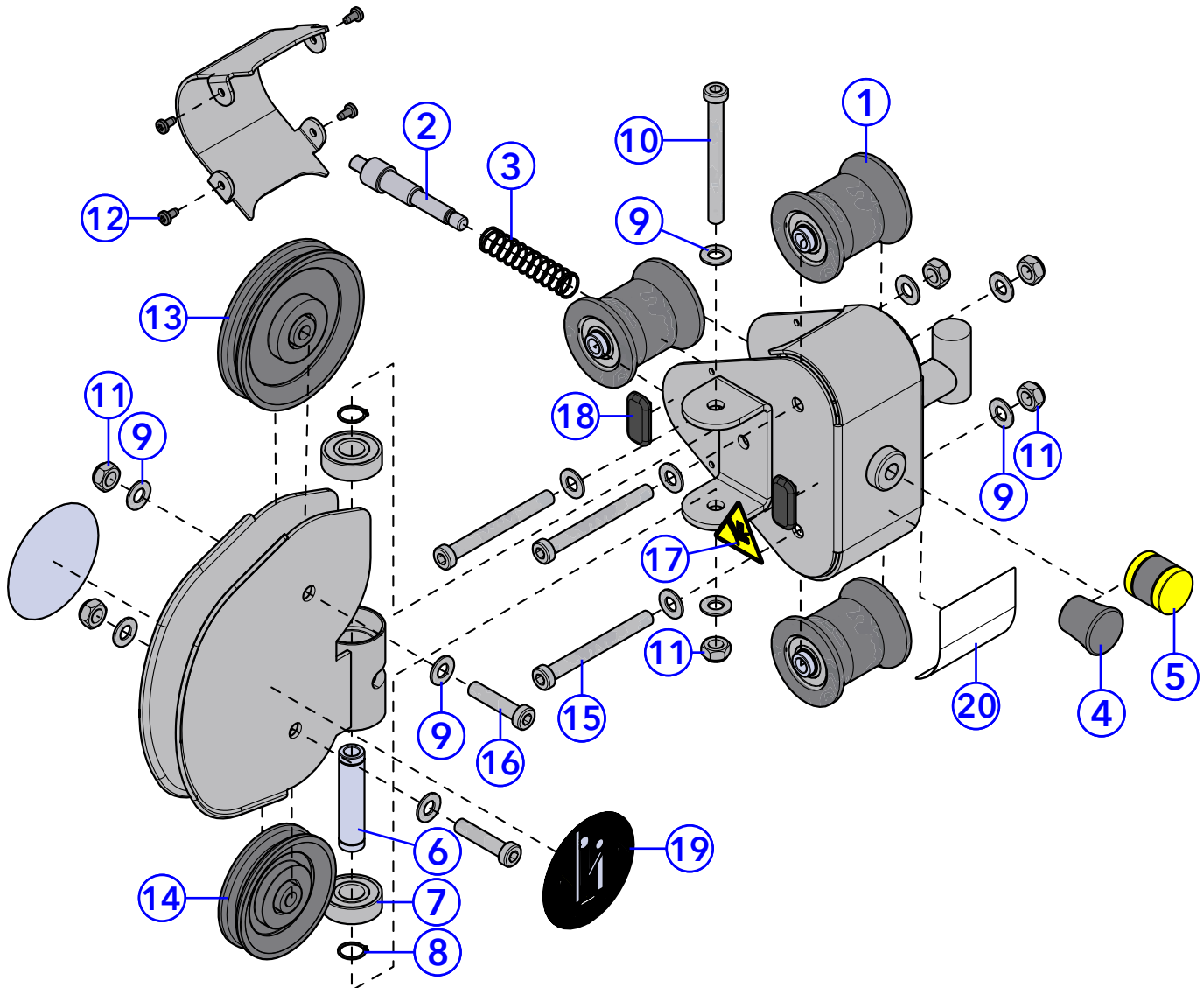
# MJAP - Adjustable Pulley Base Support Assembly



ITEM NO.	QTY.	PART NO.	DESCRIPTION
1	2	3237801	PULLEY, 4.5" OD
2	2	7630101	RETAINER, CM/MJ, PULLEY
3	1	3236206	SCREW, M10 X1.5 45MM
4	2	7335401	NUT, M10 X 1.5 SOCKET HEAD
5	1	3236208	SCREW, M10 X1.5 55MM
6	2	7629901	COVER, PULLEY- BOLTED FULL

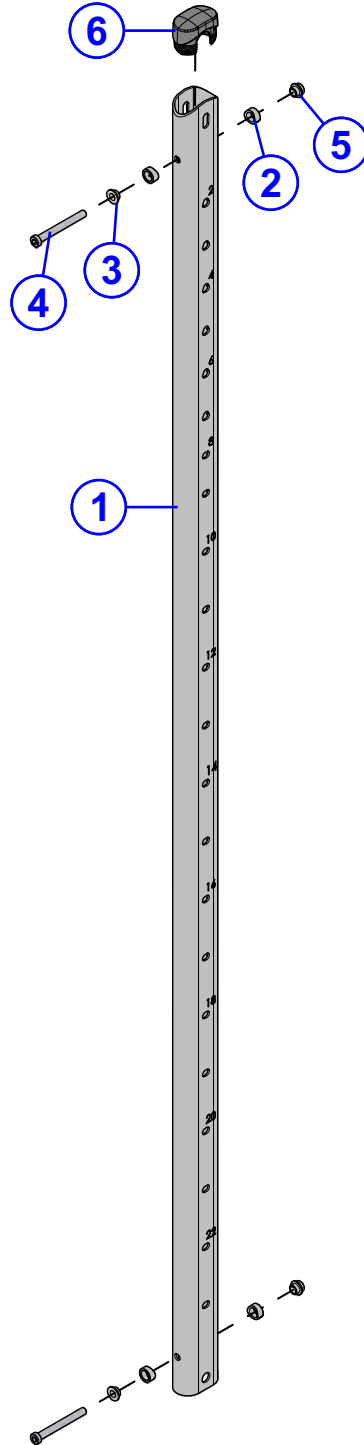


# MJAP - Adjustable Pulley Carriage Assembly



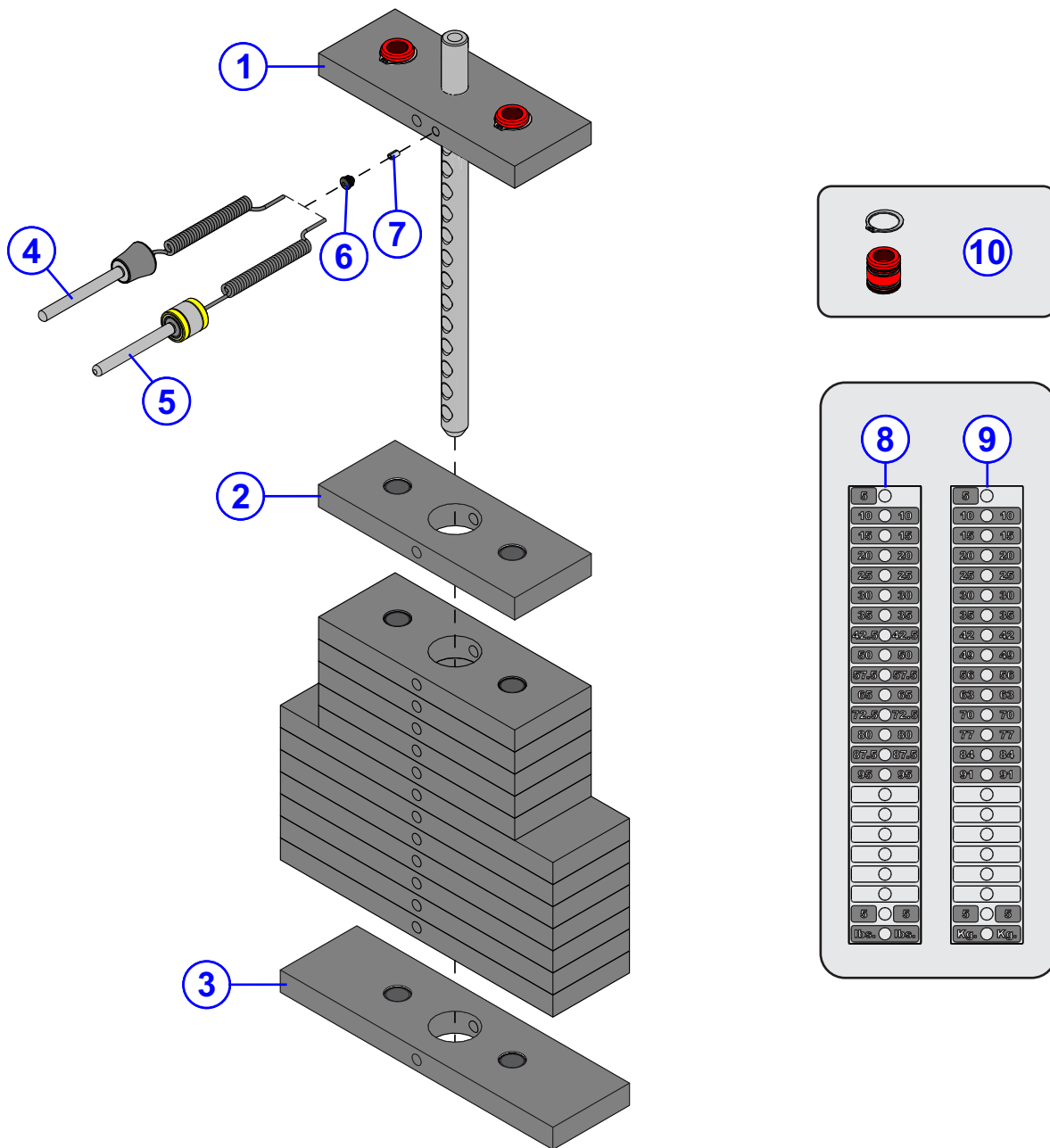
ITEM NO.	QTY.	PART NO.	DESCRIPTION
1	3	7637901	ASSY, ROLLER-CONCAVE
2	1	1002880-0001	ASSY, CM/MJ PIN-PULL, BEVEL NOSE
3	1	7351501	SPRING, PULL PIN LARGE
4	1	7351401	KNOB, TULIP STYLE
5	1	7424803	KNOB, POP PIN, YELLOW
6	1	7645401	SHAFT, CM/MJ, 6203 BRNG
7	2	3245901	BEARING, 6203
8	2	3232413	RING, BRE .631, 5100-66, ST PP B
9	12	3236601	WASHER, 3/8 SAE SS
10	1	3236217	SCREW, M10 X1.5 100MM
11	6	3236801	NUT, M10 HEX NYLOCK SS
12	4	3270601	SCREW, #10-32 X 3/8 TRX PAN ST BZ
13	1	3237801	PULLEY, 1/4 IN CABLE (T3), 4.5 IN OD
14	1	3245701	PULLEY, 3.5" OD, 10MM ID
15	3	3236216	SCREW, M10 X1.5 95MM
16	2	3236206	SCREW, M10 X1.5 45MM
17	2	8039501	LABEL, WARNING, TRIANGLE, 10-0099-067, BNR
18	2	7570801	GUARD, PAINT 1.25"x.75"x.25"
19	1	1011299-0001	LABEL: WARNING, ADJ CARRIAGE
20	1	7821001	LABEL, WARNING ADJ CARRIAGE

# MJAP - Adjustable Pulley Column Assembly



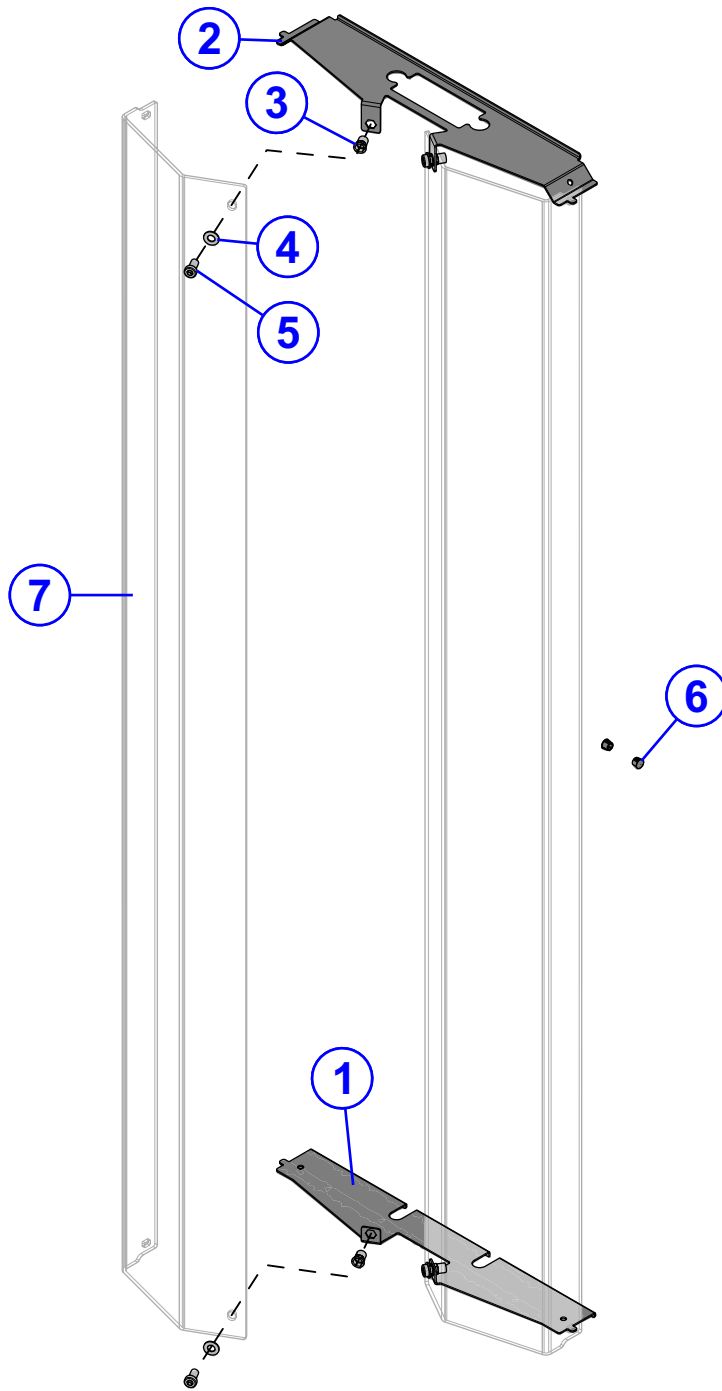
ITEM NO.	QTY.	PART NO.	DESCRIPTION
1	1	8264101	TUBE, CM/MJ ADJ COLUMN
2	4	7645501	SPACER, CM/MJ, SM FLOV CONCAVE
3	2	7630101	RETAINER, CM/MJ, PULLEY
4	2	3236215	SCREW, M10 X1.5 90MM
5	2	7335401	NUT, M10 X 1.5 SOCKET HEAD
6	1	7333801	CAP, SMALL FLOV- END

# MJAP - Adjustable Pulley 190 Pound Weight Stack Assembly



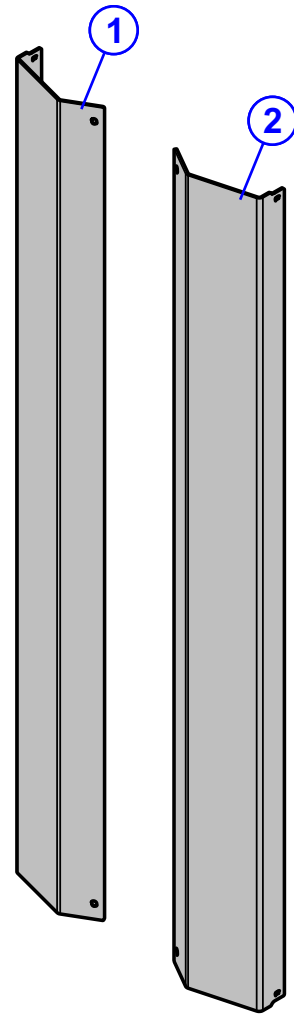
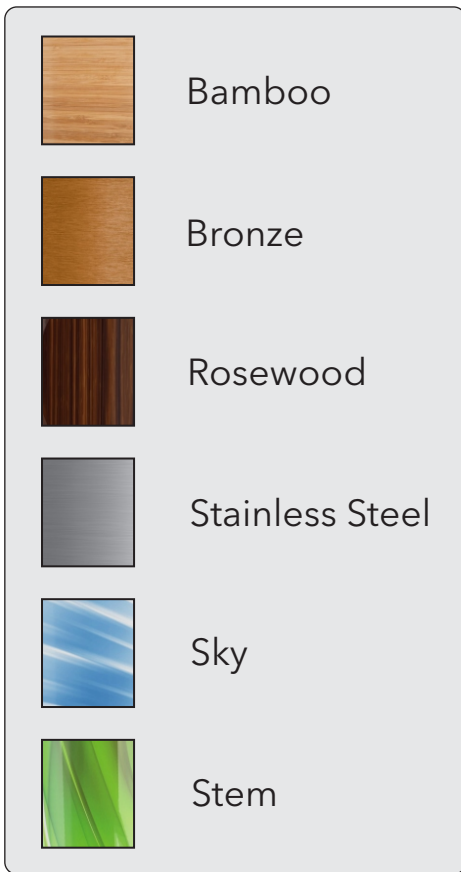
ITEM NO.	QTY.	PART NO.	DESCRIPTION
1	1	8920101	14 HOLE HEAD PLATE/BAYONET SER. KIT ASSY
2	6	7353701	ASSY, 10 LB PLATE
3	8	7353801	ASSY, 15 LB PLATE
4	1	7353001	ASSY, SELECTOR PIN
5	1	8981903	ASSY, WT STACK SELECTOR PIN, SRT - YELLOW
6	1	7356501	PLUG, LANYARD ATTACHMENT
7	1	7523601	CRIMP, CABLE
8	1	8068901	LABEL, WGHT STK, 95 LBS
9	1	8069101	LABEL, WGHT STK, 45.5 KG
10	1	7338001	BUSHING, HEADPLATE

# MJAP - Adjustable Pulley Front Shroud Assembly



ITEM NO.	QTY.	PART NO.	DESCRIPTION
1	1	9035995	BRKT, SHROUD, CMDAP, BOTTOM, SG
2	1	1010662-9500	BRKT, SHROUD, CM/MJ, TOP -SG
3	4	3238601	M10X1.5 BLIND THREADED INSERT (HEX)
4	4	3236601	WASHER, 3/8 SAE STAINLESS STEEL
5	4	3236201	M10 X 1.5 X 20 SHCS, LOW HEAD
6	2	3237401	PLUG, 7/16" HOLE
7	2	9035801	SHROUD, CM/MJ FRONT

# MJAP - Adjustable Pulley Wrapped Shroud Assemblies



ITEM NO.	QTY.	PART NO.	DESCRIPTION
1	1	9147801	SHROUD, FNT, LT -BAMBOO
2	1	9147701	SHROUD, FNT, RT -BAMBOO
1	1	9148701	SHROUD, FNT, LT -BRONZE
2	1	9148601	SHROUD, FNT, RT -BRONZE
1	1	9149601	SHROUD, FNT, LT -ROSEWOOD
2	1	9149501	SHROUD, FNT, RT -ROSEWOOD
1	1	9149901	SHROUD, FNT, LT -STAINLESS STEEL
2	1	9149801	SHROUD, FNT, RT -STAINLESS STEEL
1	1	9148101	SHROUD, RT TOWER, FNT, LT -SKY
2	1	9148001	SHROUD, RT TOWER, FNT, RT -SKY
1	1	9149302	SHROUD, RT TOWER, FNT, LT-STEM
2	1	9149202	SHROUD, RT TOWER, FNT, RT-STEM