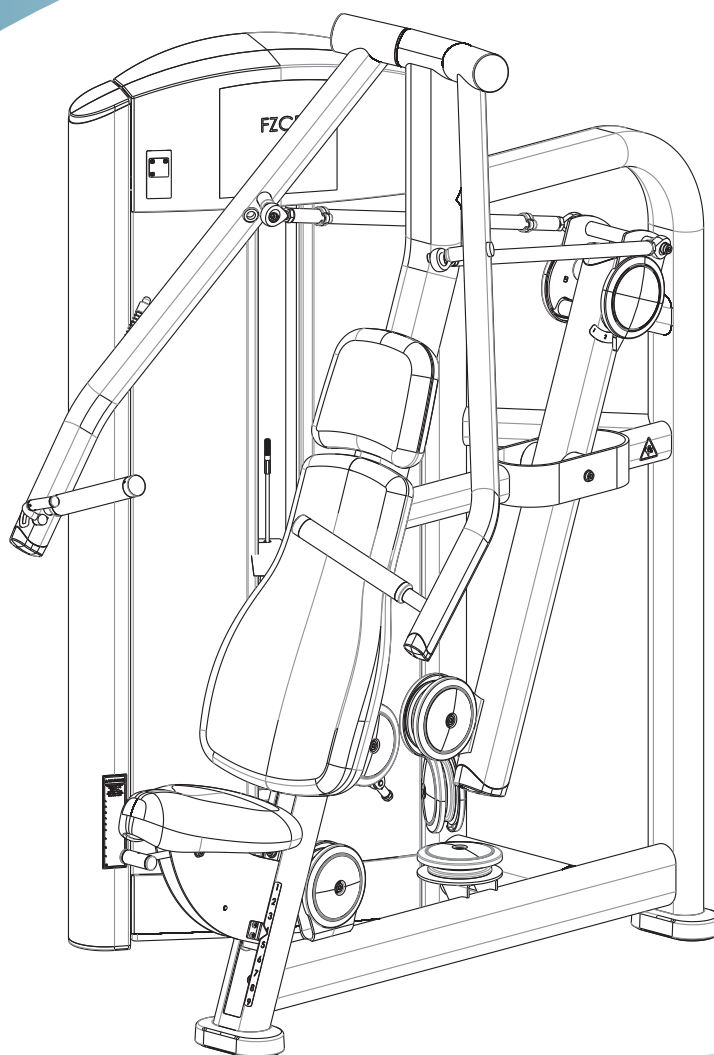


# Signature Series Single Station Chest Press

FZCP

## Parts List



# FZCP CHEST PRESS CONTENTS

---

FRAME AND UPHOLSTERY COLORS..... 3

SHROUD OPTIONS..... 4

COMPONENT ASSEMBLY..... 5

COMPONENT ASSEMBLY II..... 6

COMPONENT ASSEMBLY LEGEND..... 7

SEAT CARRIAGE ASSEMBLY ..... 8

ADJUSTER HANDLE ASSEMBLY ..... 9

MID-14 TOWER ASSEMBLY..... 10

PLASTIC TOWER ASSEMBLY..... 11

OPTIONAL WRAPPED SHROUDS..... 12

MID-14 WEIGHT STACK ASSEMBLY ..... 13

5 LB. INCREMENT WEIGHT ASSEMBLY..... 14

10 LB. INCREMENT WEIGHT ASSEMBLY..... 15

15 LB. INCREMENT WEIGHT ASSEMBLY..... 16

OPTIONAL LIGHT MID-14 WEIGHT STACK ASSEMBLY..... 17

OPTIONAL 2.5 LB. INCREMENT WEIGHT ASSEMBLY..... 18

OPTIONAL 5 LB. INCREMENT WEIGHT ASSEMBLY..... 19

OPTIONAL 7.5 LB. INCREMENT WEIGHT ASSEMBLY..... 20

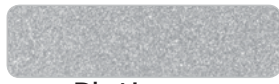
HEAD PLATE ASSEMBLY ..... 21

IMAGE..... 22

# FZCP CHEST PRESS FRAME AND UPHOLSTERY COLORS

---

## Strength Frame Colors



Platinum



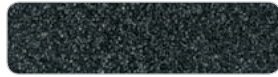
White



Black



Ice Blue Metallic



Midnight Metallic



Nickel



Blue



Red



Yellow



Candy Apple Red

Note: Include frame color in pick-slip notes when ordering frame assemblies or weldments.

## Strength Upholstery Colors



American Beauty Red 07



Azure 20



Black 01



Cranberry 04



Graphite 22



Hunter Green 13



Regimental Blue 14



Royal Blue 02



Slate 03



Wheat 21



Burgundy 29



Candy Apple Red 28



Chestnut 34



Concord 16



Crocus 19



Dove Gray 37



Emerald 27



Grotto 25



Gun Metal 39



Imperial Blue 33



Jade 26



Navy 32



Northwoods Green 05



Paprika 35



Plum 30



Putty 38



Space Blue 06



Suede 08



Terra Cotta 36



Turquoise 17

Note: Replace XX with above color suffix when ordering pads (ie. 74123XX = 7412301 Black)  
Use 99 suffix for custom upholstery.

# FZCP CHEST PRESS SHROUD OPTIONS

## STANDARD SHROUD NO WRAP



TRANSLUCENT



## OPTIONAL StackWraps™ SHROUD + WRAP

BAMBOO



BRONZE



ROSEWOOD



SKY



STAINLESS STEEL



STEM



## CO-BRANDED StackWraps™

SHROUD + WRAP

(refer to co-branded parts list)



PLANET FITNESS

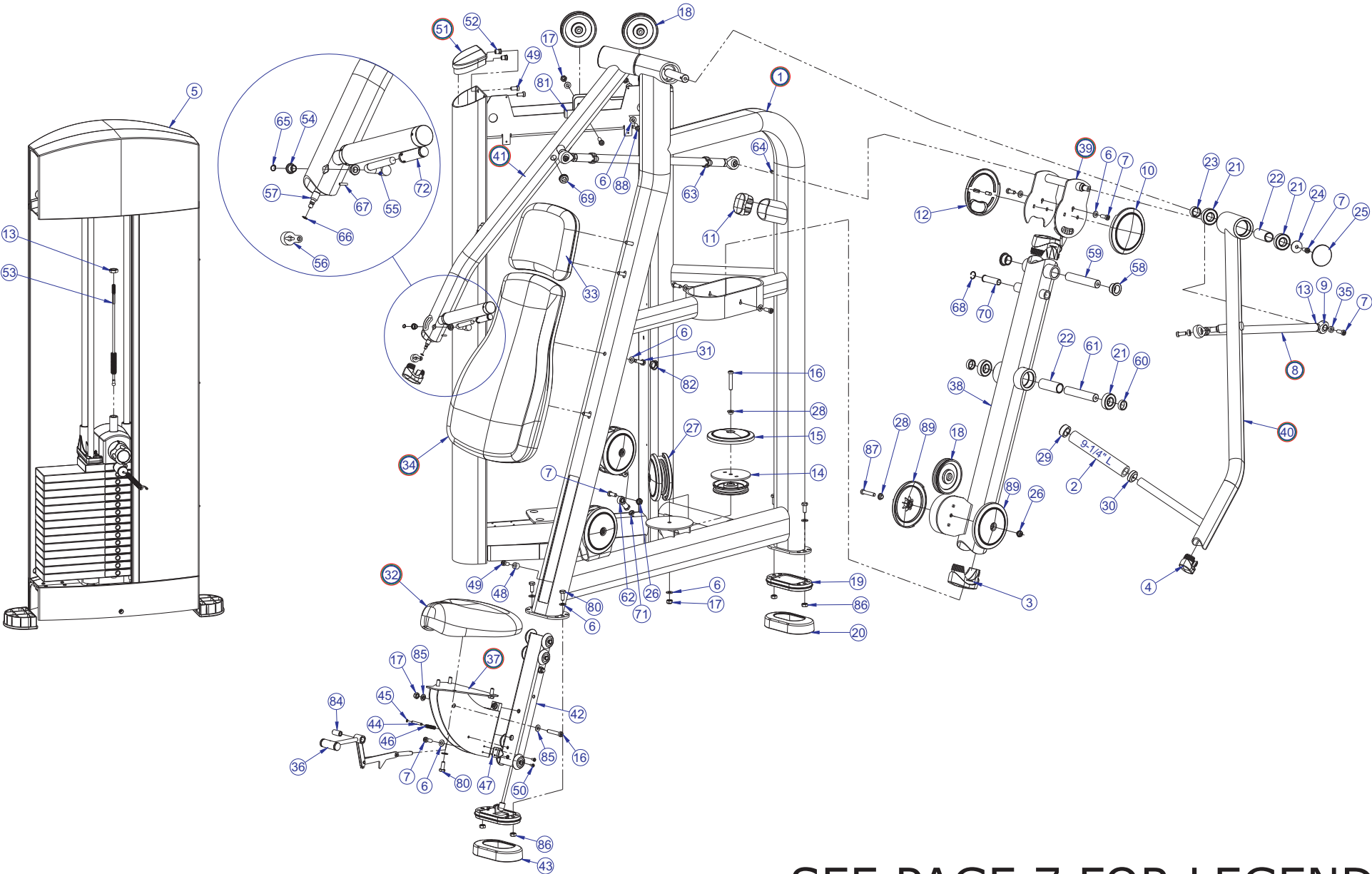


BLINK FITNESS



RETRO FITNESS

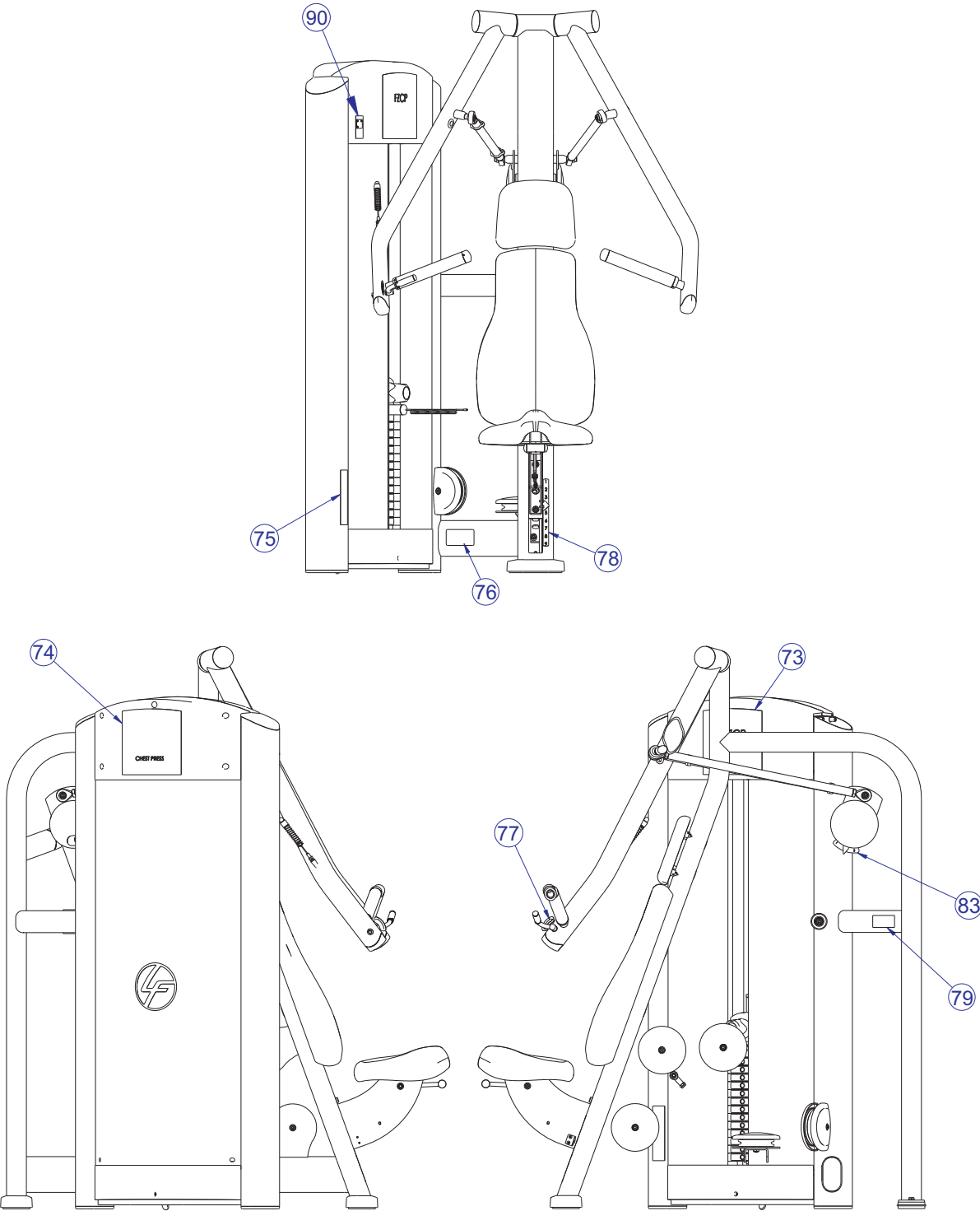
# FZCP CHEST PRESS COMPONENT ASSEMBLY



SEE PAGE 7 FOR LEGEND

# FZCP CHEST PRESS COMPONENT ASSEMBLY II

---

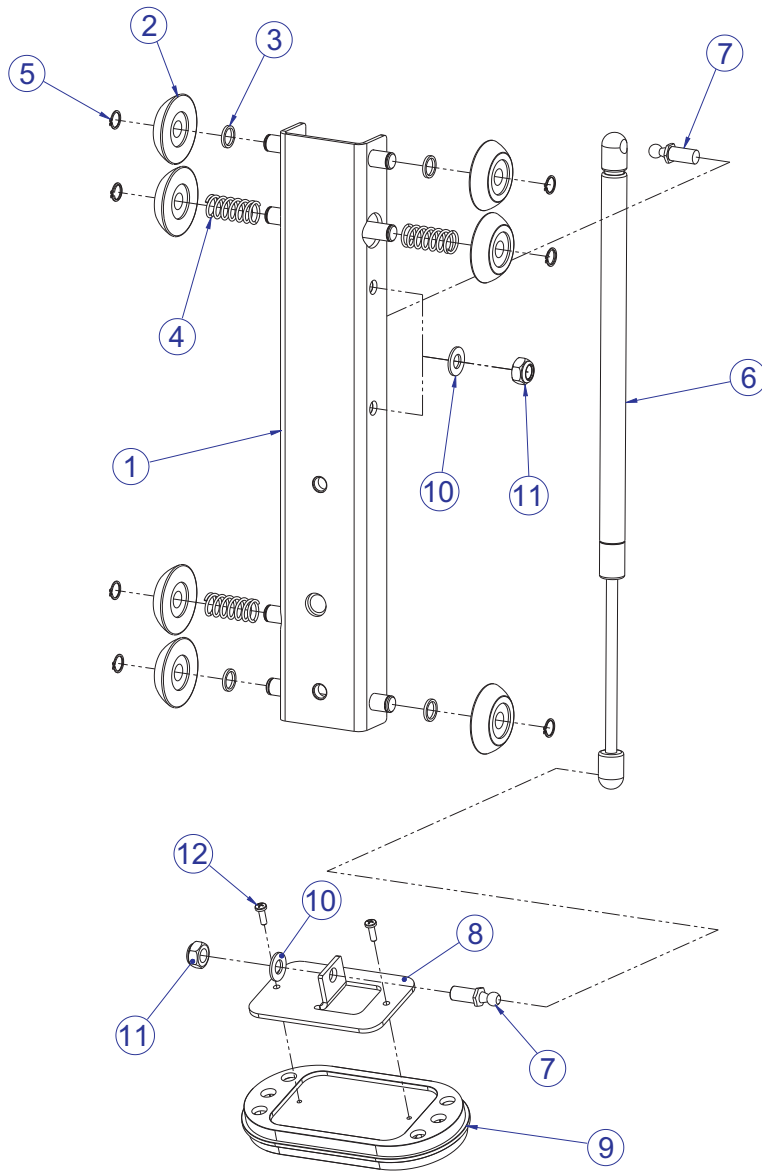


SEE PAGE 7 FOR LEGEND

# FZCP CHEST PRESS COMPONENT ASSEMBLY LEGEND

ITEM NO.	QTY.	PART NO.	DESCRIPTION	COLOR	ITEM NO.	QTY.	PART NO.	DESCRIPTION	COLOR
1	1		W LDMT, FZCP FRAME	ANY	51	2	7326201	CAP, D-TUBE - TOP	ANY
2	2	3235802	GRIP, TBC	-	52	4	3238601	M10X1.5 THREADED INSERT (HEX)	-
3	2	7333901	CAP, LARGE FLOV- END	-	53	1	7423604	CABLE, FZCP	-
4	2	7333801	CAP, SMALL FLOV- END	-	54	2	3104908	.375" ID .500" OD BRONZE BUSHING	-
5	1	SEE PAGE 10	ASSY, MID TOWER-14	-	55	1	8002195	W LDMT, ADJ HANDLE SHDW GREY	-
6	22	3236601	W ASHER, 3/8 SAE SS	-	56		CAM -SEE BULLETIN FZ09091601R	-	
7	13	3236202	SCREW , M10 X1.5 25MM	-	57		PUSH-PULL CABLE -SEE BULLETIN FZ09091601R	-	
8	2	7318003	TIE ROD, 1 X 24	ANY	58	2	3104903	1.00" ID 1.25" OD BRONZ BUSHING	-
9	4	3238701	ROD END, METRIC MALE	-	59	1	7324902	SHAFT, TAPPED 1 DIA X 5.330	-
10	1	7340001	COVER, PULLEY- NOTCHED	-	60	2	7330001	SPACER, INTERNAL X .403	-
11	1	7317901	STOP, BUMPER	-	61	1	7316502	SHAFT, 25MM X 5.250	-
12	1	7516801	COVER, PULLEY- SLOT	-	62	1	3237901	ROD END, METRIC FEMALE	-
13	5	3236902	NUT, M16 X 2 HEX JAM SS	-	63	2	7780001	CLIP, CABLE	-
14	1	7318201	PLATE, PULLEY	-	64	2	3242901	SCREW , SET BO	-
15	1	8102901	COVER, PULLEY-BOLTED FULL	-	65	1	3232405	RING, RETAINING, EXTERNAL	-
16	2	3236208	SCREW , M10 X1.5 55MM	-	66	1	3232403	RING, RETAINING, EXTERNAL	-
17	4	3236801	NUT, M10 HEX NYLOCK SS	-	67	1	3110013	ROLL PIN, 5/32 DIA X 5/8	-
18	7	3237801	PULLEY, 4.5" OD	-	68	1	3232202	RING, BRI .875,5000-87,ST,PP,B	-
19	1	7334001	FOOT, 2.50 X 4.49 FLOV	-	69	1	3209101	GROMMET	-
20	1	7340201	COVER, FOOT - STRAIGHT	-	70	1	7524901	HOUSING, INT PUSH-PULL ADJ	-
21	6	3235601	BEARING, 6205 BALL	-	71	1	3236901	NUT, M10 X 1.5 JAM	-
22	3	7330003	SPACER, INTERNAL X 3.265	-	72	1	7681901	HANDLE, REMOTE, SHADOW GRAY	-
23	2	7330002	SPACER, INTERNAL X .653	-			7681903	HANDLE, REMOTE, YELLOW	-
24	2	3236701	W ASHER, FENDER 3/8" ID X 1.5" OD	-	73	1	7507101	LABEL, FZCP PLACARD ENG	-
25	2	7308701	CAP, BEARING HOUSING	-			7507102	LABEL, FZCP PLACARD GER	-
26	5	7335401	NUT, M10 X 1.5 SOCKET HEAD	-			7507103	LABEL, FZCP PLACARD FRN	-
27	2	8094101	COVER, PULLEY-BOLTED PARTIAL	-			7507104	LABEL, FZCP PLACARD SPN	-
28	5	7630101	RETAINER, CM/MJ, PULLEY	-			7507105	LABEL, FZCP PLACARD ITL	-
29	2	7662902	CAP, GRIP 1.50 OD	-			7507106	LABEL, FZCP PLACARD DUT	-
30	2	7662802	RING, GRIP 1.50 OD	-			7507107	LABEL, FZCP PLACARD JAP	-
31	4	3251203	SCREW , M10 X1.5 X 30MM HEX	-			7507108	LABEL, FZCP PLACARD POR	-
32	1	72971XX	PAD, SEAT SADDLE	ANY			7507109	LABEL, FZCP PLACARD SWE	-
33	1	74743XX	PAD, HEAD REST	ANY			7507110	LABEL, FZCP PLACARD RUS	-
34	1	74741XX	PAD, LARGE BACK	ANY	74	1	7507201	LABEL, FZCP LOGO	-
35	4	7385201	SPACER, .406 X .750 X .250	-	75	1	7422004	LABEL, 2" ASTM WARN	-
36	1	77780XX	ASSY, FZ ADJUSTER HANDLE	-	76	1	7571301	LABEL, SERIAL NUMBER	-
37	1	7330501	W LDMT, FZ SEAT SUPPORT	ANY	77	1	7524001	LABEL, ARROW	-
38	1	7120801	W LDMT, FZCP PIVOT ARM	ANY	78	1	7524501	LABEL, 1-9 STRAIGHT	-
39	1	7332101	W LDMT, FZCP ADJ START	ANY	79	1	7422003	LABEL, MOVING PARTS	-
40	1	7119701	W LDMT, FZCP PRESS ARM LH	ANY	80	8	3251202	SCREW , M10 X1.5 X 25MM HEX	-
41		RIGHT WORK ARM -SEE BULLETIN FZ09091601R		ANY	81	1	6757701	CLIP, CABLE 2-7/8 X 1 X 1	-
42	1	7911101	ASSY, SEAT CARRIAGE	-	82	4	3237403	PLUG, 1" HOLE	-
43	1	7419601	COVER, FOOT-20 DEG.	-	83	1	7523901	LABEL, 1-3 CURVED	-
44	1	7407502	PIN, LINK	-	84	1	7776501	SHAFT, .625 X .406 X 1.200	-
45	2	3232401	RING, RETAINING, EXTERNAL	-	85	2	7776401	SPACER, FLANGE .406 X .495 X .81	-
46	1	3273101	SPRING, EXT, .50 X .067 X 2.00	-	86	4	3254703	NUT, M10 X 1.5 HEX ZINC	-
47	1	7425295	BRKT, SEAT INDICATOR	-	87	4	3236207	SCREW , M10 X1.5 50MM	-
48	1	7385203	SPACER, .406 X .750 X .500	-	88	2	3236206	SCREW , M10 X1.5 45MM	-
49	5	3236201	SCREW , M10 X1.5 20MM	-	89	6	8104501	COVER, PULLEY-BOLTED NOTCHED	-
50	2	3239101	SCREW , M5X10 PHL PAN TT ST	-	90	1	9310201	LABEL, FZCP, NFC-QR TAG	-

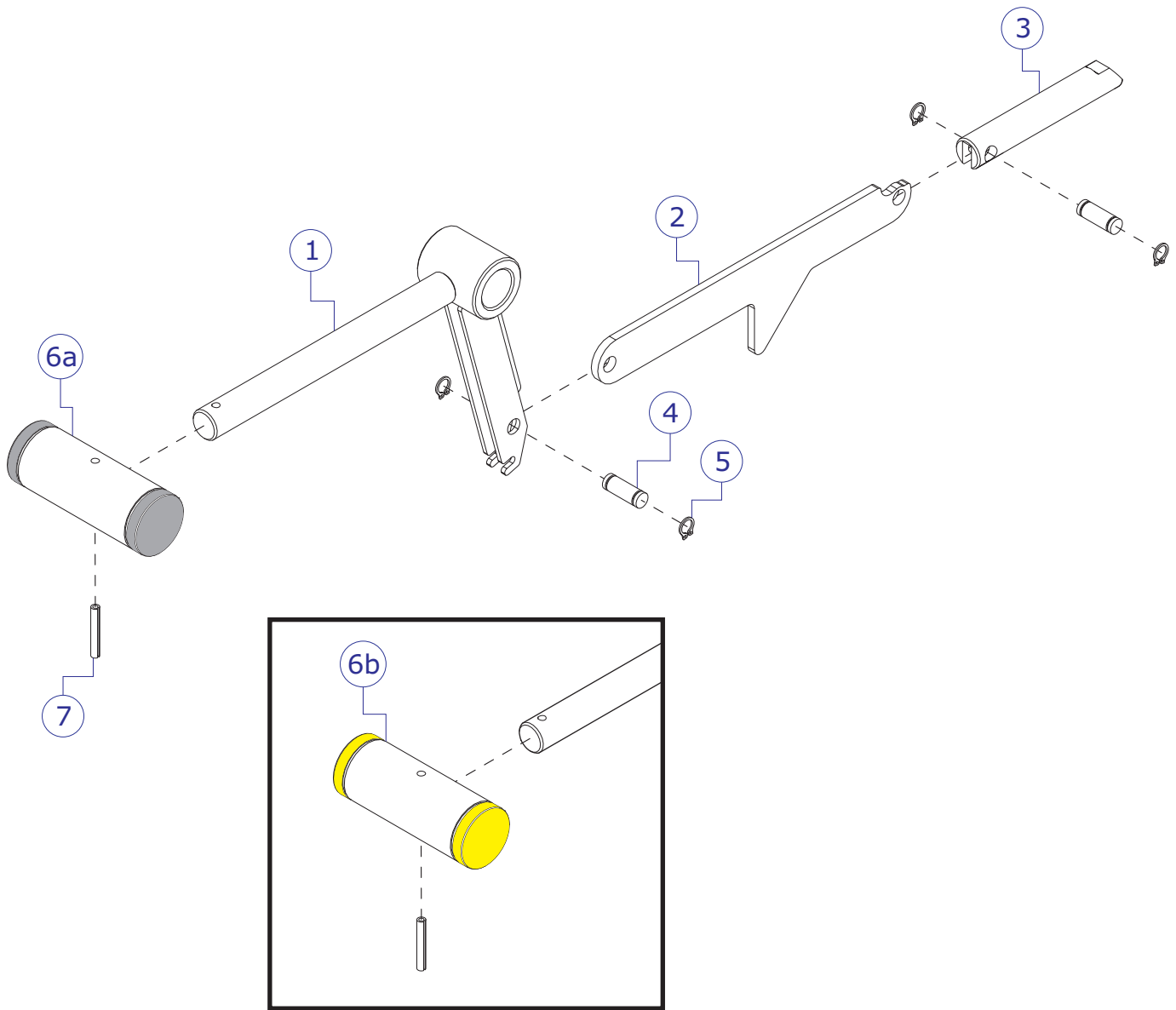
# FZCP CHEST PRESS SEAT CARRIAGE ASSEMBLY - 7911101



ITEM NO.	QTY.	PART NO.	DESCRIPTION	COLOR
1	1	7911295	WLDMT, SEAT CARRIAGE SHDW GRAY	SHADOW GRAY
2	7	7889701	ROLLER, SEAT CARRIAGE	-
3	4	7911901	SPACER, .625 DIA X 16 GA.	-
4	3	7912001	SPRING, SEAT CARRIAGE	-
5	7	3232408	RING, BRE .443, 5100-46, ST, PP, B	-
6	1	3235703	SPRING, GAS 80N	-
7	2	7414301	STUD, M10 BALL END M10 X 1.5	-
8	1	7339401	BRACKET, GAS SPRING	-
9	1	7334001	FOOT, 2.50 X 4.49 FLOV	-
10	2	3236601	WASHER, 3/8 SAE SS	-
11	2	3236801	NUT, M10 HEX NYLOCK SS	-
12	2	3241201	M4 PHL PAN F ST ZN	-



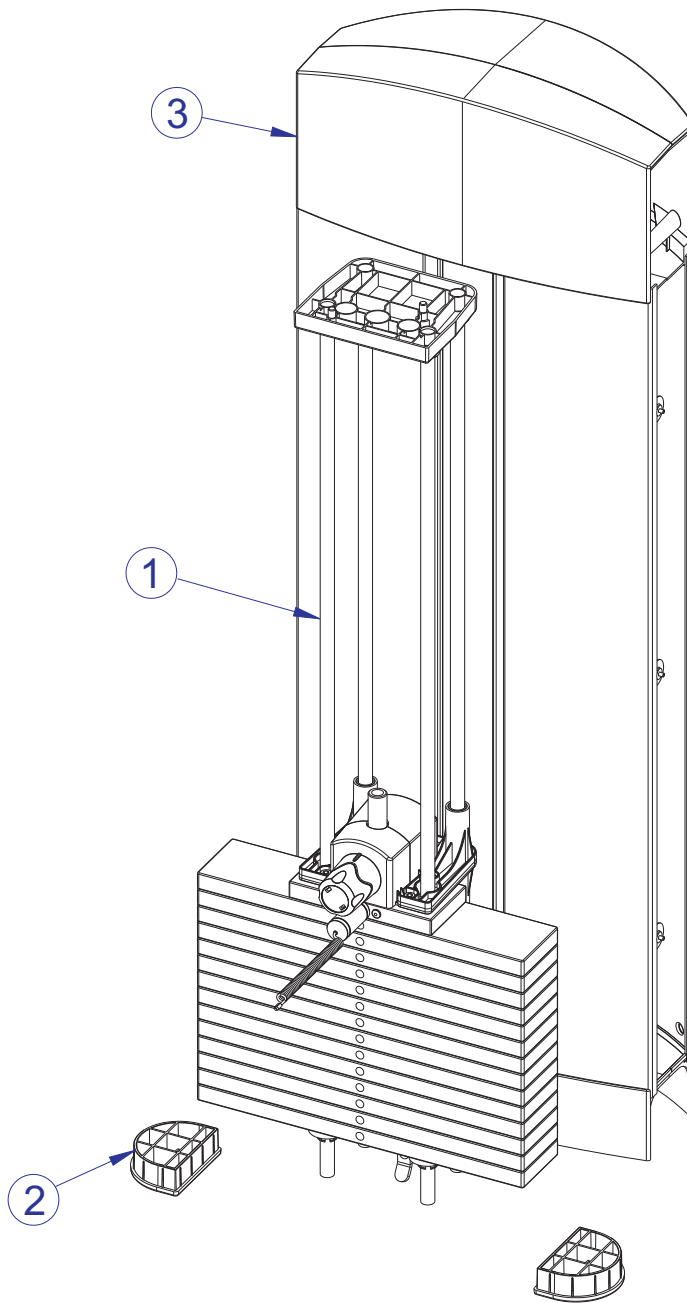
# FZCP CHEST PRESS ADJUSTER HANDLE ASSEMBLY - 77780XX



ITEM NO.	QTY.	PART NO.	DESCRIPTION
1	1	7777595	WLDMT, FZ SEAT ADJ HANDLE SHADOW GRAY
2	1	9164801	LINK, ADJUSTER
3	1	9154101	PIN, INDEX
4	2	7407501	PIN, LINK
5	4	3232401	RING, RETAINING, EXTERNAL
6	a	7287901	HANDLE, ADJUSTER - SILVER
	b	7287903	HANDLE, ADJUSTER - YELLOW
7	1	3110010	ROLL PIN, 1/8 X 7/8

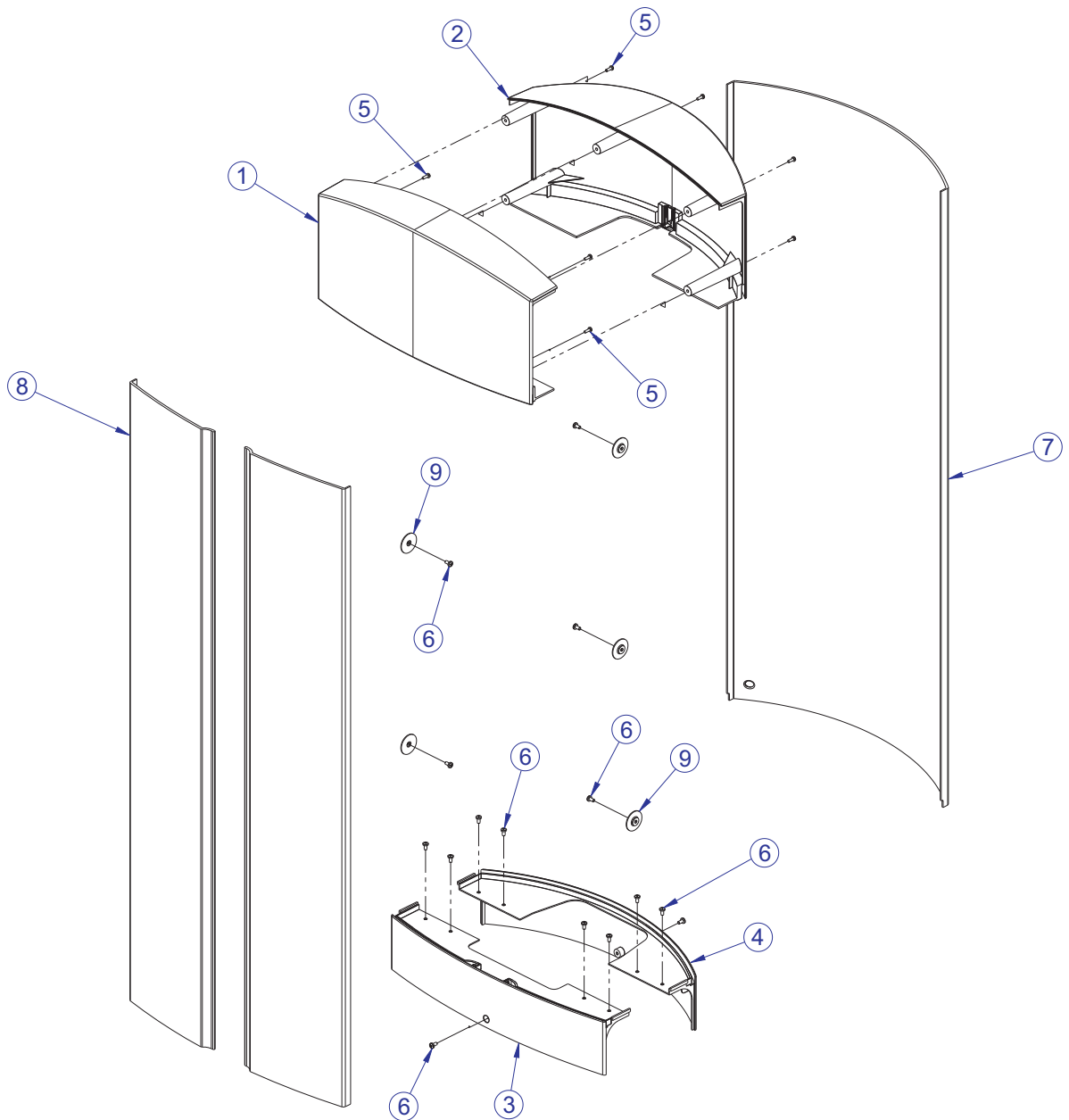
# FZCP CHEST PRESS MID-14 TOWER ASSEMBLY

---



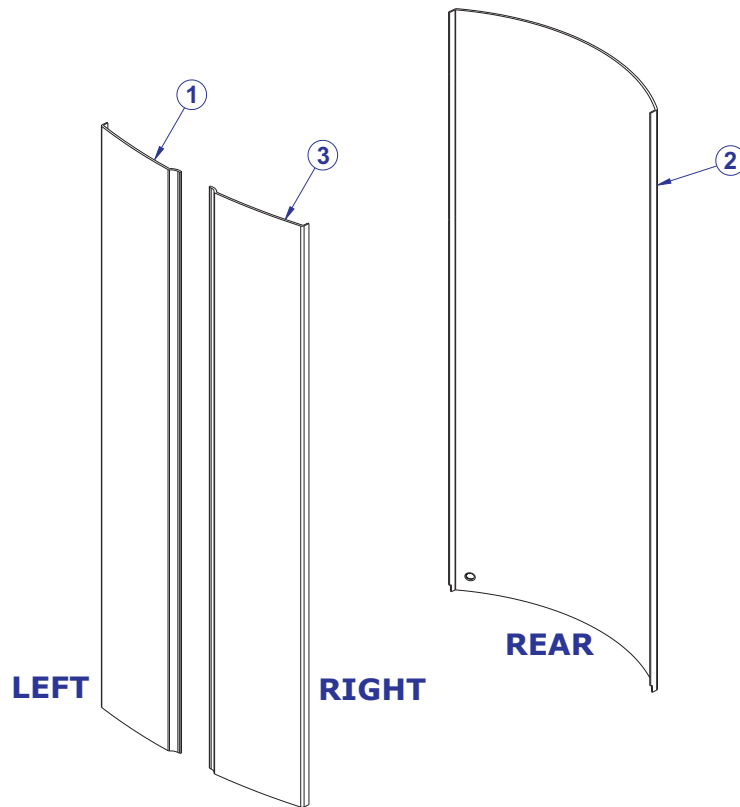
ITEM NO.	QTY.	PART NO.	DESCRIPTION
1	1	SEE PAGE 13	ASSY, WEIGHT STACK MID-14
2	2	7326301	CAP, D-TUBE-BTM
3	1	SEE PAGE 11	ASSY, TOWER PLASTICS-MID


# FZCP CHEST PRESS PLASTIC TOWER ASSEMBLY - 7419801





ITEM NO.	QTY.	PART NO.	DESCRIPTION	COLOR
1	1	7318601	COVER, TOWER- TOP FRONT	-
2	1	7318701	COVER, TOWER- TOP REAR	-
3	1	7318801	COVER, TOWER- BOTTOM FRONT	-
4	1	7318901	COVER, TOWER- BOTTOM REAR	-
5	9	3236501	M4 X 0.7 PHL PAN MS ST ZN	-
6	16	3239101	SCREW, M5X10 PHL PAN TT ST	-
7	1	7765701	SHROUD, TOWER- REAR SHORT	-
8	2	7765601	SHROUD, TOWER- FRT SHORT RH	-
9	6	7583501	RETAINER, FZ SHROUD	-


# FZCP CHEST PRESS OPTIONAL WRAPPED SHROUDS





BAMBOO		ITEM NO.	QTY.	PART NO.	DESCRIPTION
		1	1	8954201	SHROUD, FZ, FNT, SRT, LT -BAMBOO
		2	1	8949101	SHROUD, FZ, REAR, SRT -BAMBOO
		3	1	8949001	SHROUD, FZ, FNT, SRT, RT -BAMBOO

SKY		ITEM NO.	QTY.	PART NO.	DESCRIPTION
		1	1	8954301	SHROUD, FZ, FNT, SRT, LT -SKY
		2	1	8949301	SHROUD, FZ, REAR, SRT -SKY
		3	1	8949201	SHROUD, FZ, FNT, SRT, RT -SKY

BRONZE		ITEM NO.	QTY.	PART NO.	DESCRIPTION
		1	1	8954401	SHROUD, FZ, FNT, LT - BRONZE
		2	1	8949501	SHROUD, FZ, REAR -BRONZE
		3	1	8949401	SHROUD, FZ, FNT, SRT, RT -BRONZE

STEM		ITEM NO.	QTY.	PART NO.	DESCRIPTION
		1	1	8954501	SHROUD, FZ, FNT, SRT, LT -STEM
		2	1	8949701	SHROUD, FZ, REAR, SRT -STEM
		3	1	8949601	SHROUD, FZ, FNT, SRT, RT -STEM

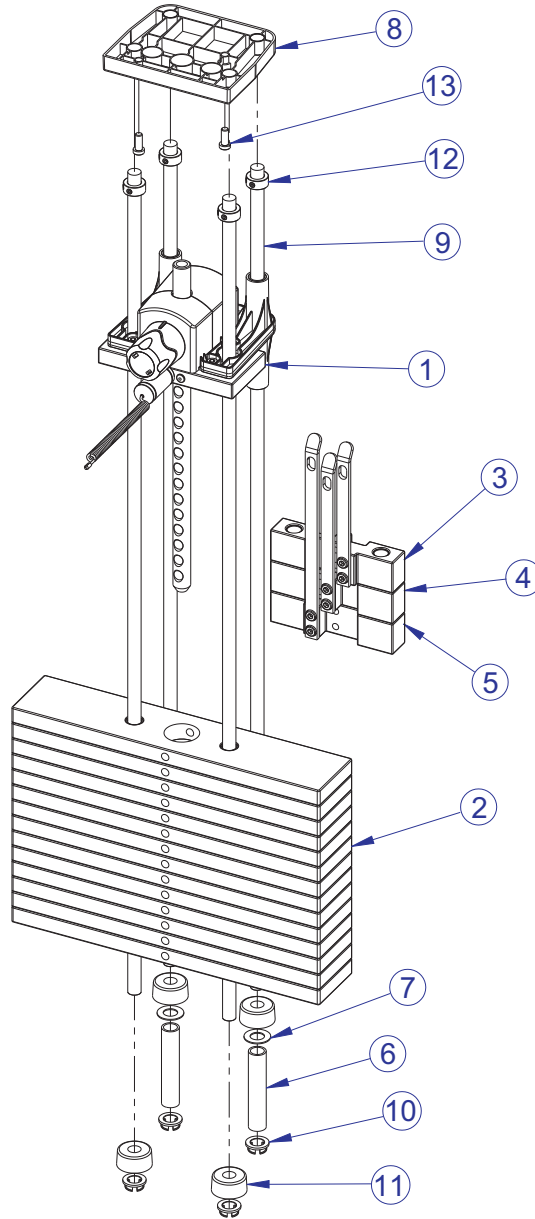
ROSEWOOD		ITEM NO.	QTY.	PART NO.	DESCRIPTION
		1	1	8954601	SHROUD, FZ, FNT, SRT, LT -ROSEWOOD
		2	1	8949901	SHROUD, FZ, REAR, SRT -ROSEWOOD
		3	1	8949801	SHROUD, FZ, FNT, SRT, RT -ROSEWOOD

STAINLESS STEEL		ITEM NO.	QTY.	PART NO.	DESCRIPTION
		1	1	8954701	SHROUD, FZ, FNT, SRT, LT -STAINLESS STEEL
		2	1	8950101	SHROUD, FZ, REAR, SRT -STAINLESS STEEL
		3	1	8950001	SHROUD, FZ, FNT, SRT, RT-STAINLESS STEEL

# FZCP CHEST PRESS MID-14 WEIGHT STACK ASSEMBLY

## WEIGHT STACK LABELS

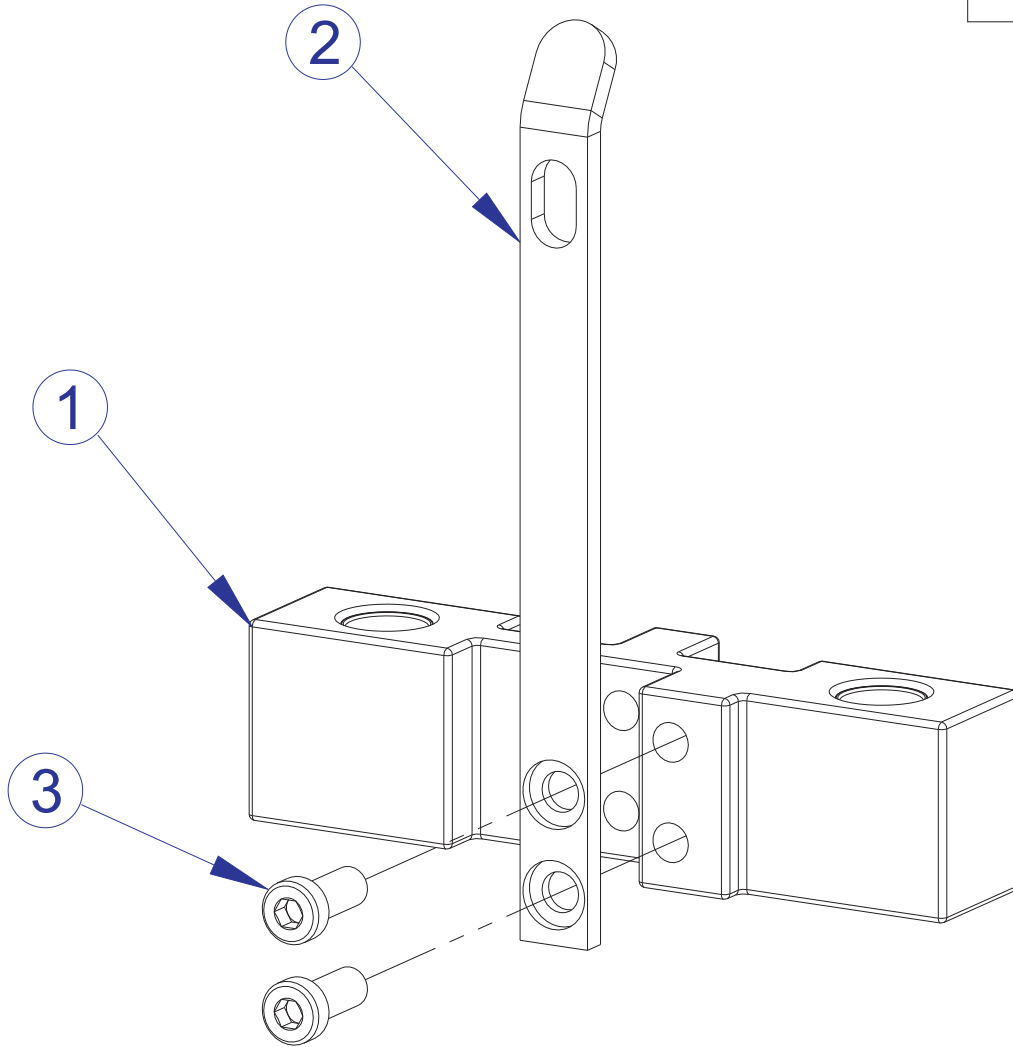
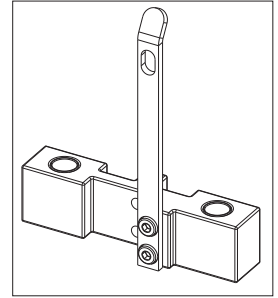
7927201	LABEL, 390 LB STACK
7927301	LABEL, 195 KG STACK



ITEM NO.	QTY.	PART NO.	DESCRIPTION	COLOR
1	1	7350701	ASSY, HEAD PLATE (14)	-
2	14	7328401	WEIGHT PLATE, 20 LB	-
3	1	7327601	ASSY, INCREMENT WT-5LB	-
4	1	7327701	ASSY, INCREMENT WT-10LB	-
5	1	7327801	ASSY, INCREMENT WT-15LB	-
6	2	7328701	SPACER, INC WT STACK 14 PLT	-
7	2	7351001	SPACER, INC WT STACK	-
8	1	7621101	RETAINER, GUIDE ROD-TOP	-
9	4	7328602	GUIDE ROD, .75 OD SOLID X 53.50	-
10	4	7337901	BUSHING, GUIDE ROD	-
11	4	7352101	CUSHION, WEIGHT STACK	-
12	4	3103301	SHAFT COLLAR, 3/4" ID ZINC	-
13	2	3236202	M10 X 1.5 X 25 HXS SOC CS SS	-

# FZCP CHEST PRESS

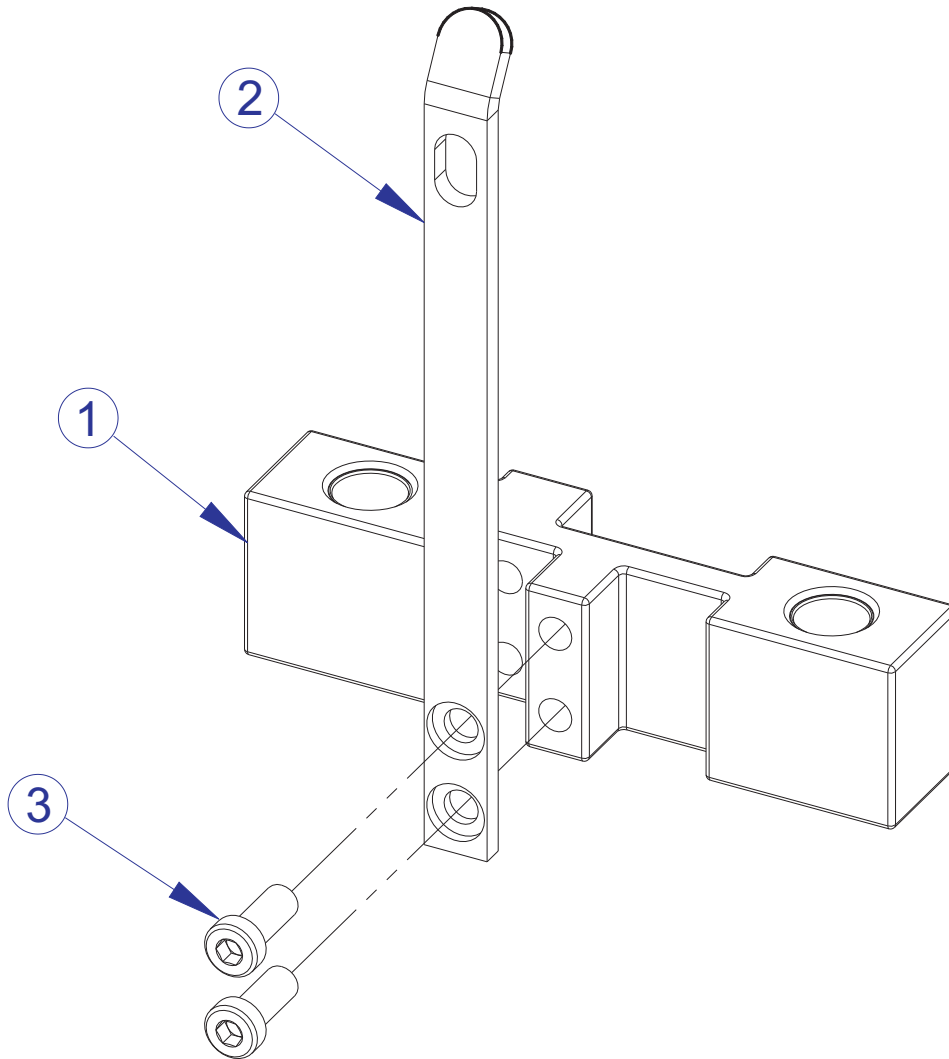
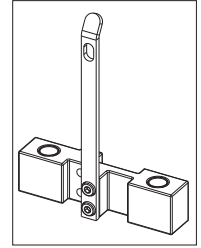
## 5 LB. INCREMENT WEIGHT ASSEMBLY - 7327601



ITEM NO.	QTY.	PART NO.	DESCRIPTION
1	1	7968501	ASSY, FZ INC WEIGHT 5LB
2	1	7328001	BRKT, INCREMENT WT - 5 LB
3	2	3236202	SCREW , M10 X1.5 25MM

# FZCP CHEST PRESS

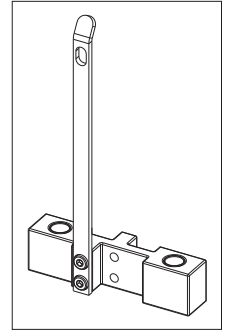
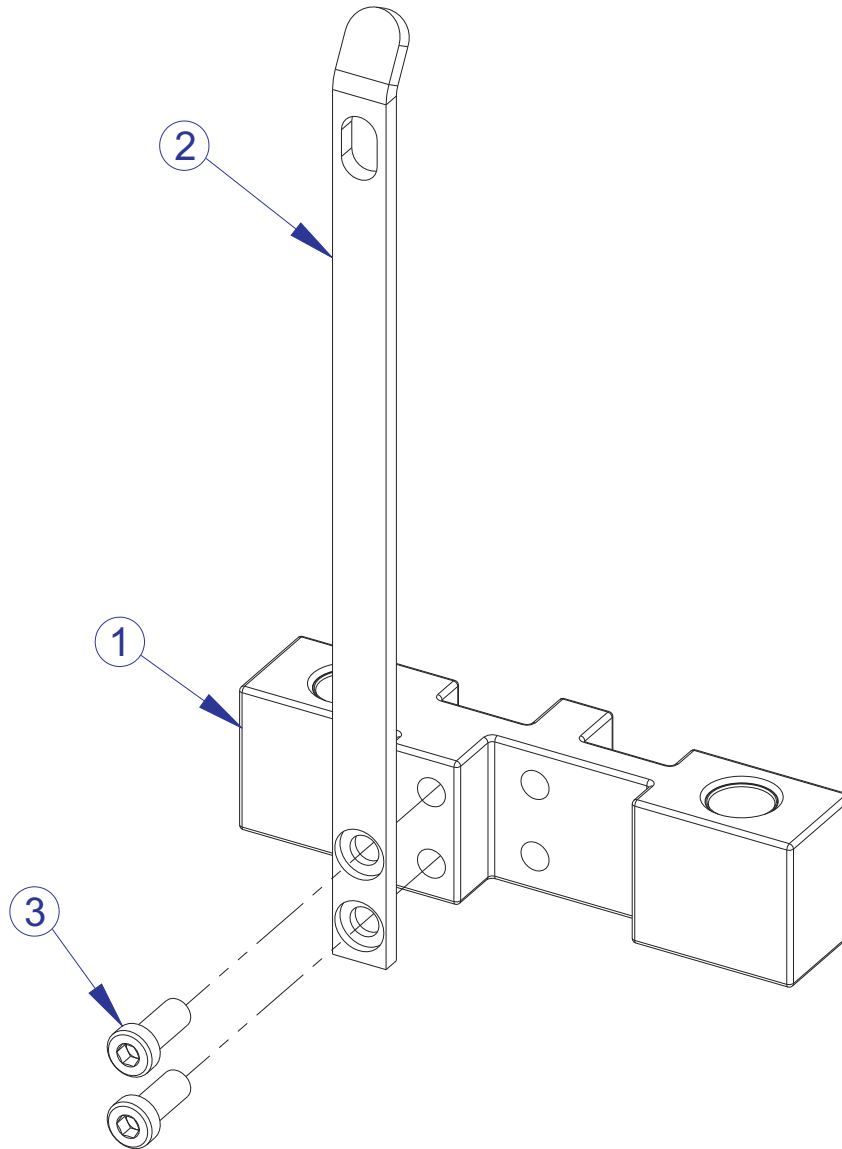
## 10 LB. INCREMENT WEIGHT ASSEMBLY - 7327701



ITEM NO.	QTY.	PART NO.	DESCRIPTION
1	1	7968501	ASSY, FZ INC WEIGHT 5LB
2	1	7328101	BRKT, INCREMENT WT - 10 LB
3	2	3236202	SCREW, M10 X1.5 25MM

# FZCP CHEST PRESS

## 15 LB. INCREMENT WEIGHT ASSEMBLY - 7327801



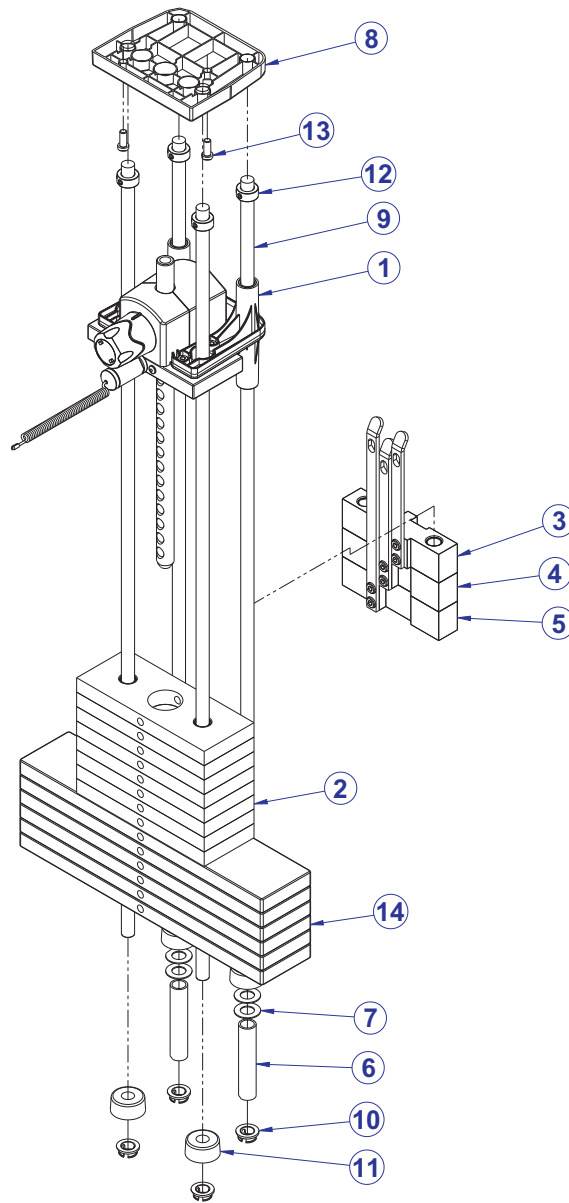
ITEM NO.	QTY.	PART NO.	DESCRIPTION
1	1	7968501	ASSY, FZ INC WEIGHT 5LB
2	1	7328201	BRKT, INCREMENT WT - 15 LB
3	2	3236202	SCREW, M10 X1.5 25MM



# FZCP CHEST PRESS

## OPTIONAL LIGHT MID-14 WEIGHT STACK ASSY.

WEIGHT STACK LABELS	
8867001	LABEL, 310 LB STACK

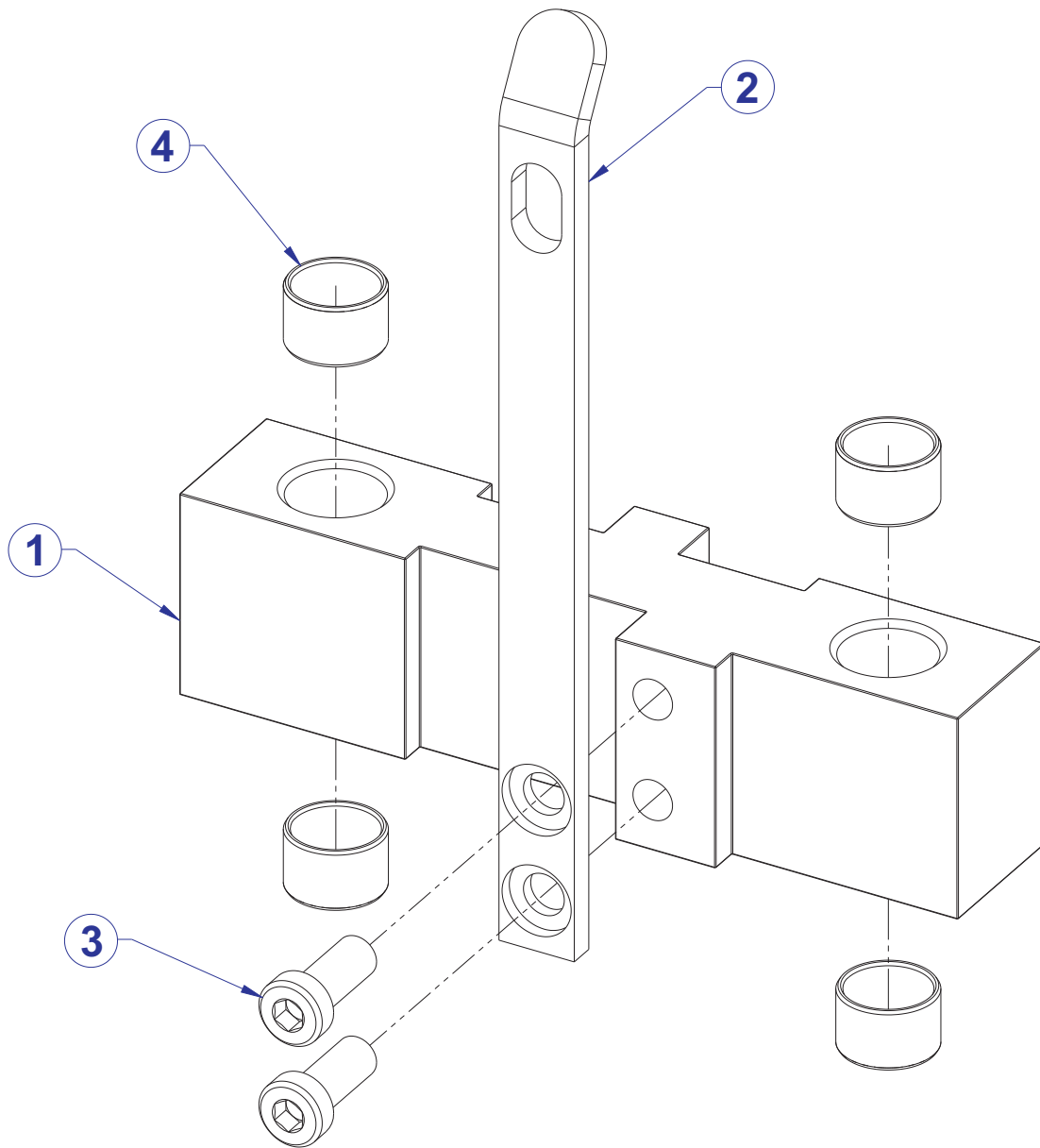


ITEM NO.	QTY.	PART NO.	DESCRIPTION	COLOR
1	1	7350701	ASSY, HEAD PLATE (14)	-
2	8	7353701	ASSY, 10 LB PLATE	-
3	1	8861301	ASSY, FZ INC WEIGHT - 2.5 LB	-
4	1	8861401	ASSY, FZ INC WEIGHT - 5 LB	-
5	1	8861501	ASSY, FZ INC WEIGHT - 7.5 LB	-
6	2	7328701	SPACER, INC WT STACK - 14 PLT	-
7	4	7351001	SPACER, INC WT STACK	-
8	1	7621101	RETAINER, GUIDE ROD - TOP	-
9	4	7328602	GUIDE ROD, .75 OD SOLID 53.50	-
10	4	7337901	BUSHING, GUIDE ROD	-
11	4	7352101	CUSHION, WEIGHT STACK	-
12	4	3103301	SHAFT COLLAR, 3/4 I.D. ZINC	-
13	2	3236202	SCREW, M10 X1.5 25MM	-
14	6	7328401	WEIGHT PLATE, 20 LB	-

# FZCP CHEST PRESS

## OPTIONAL 2.5 LB. INCREMENT WEIGHT ASSY. - 8861301

---

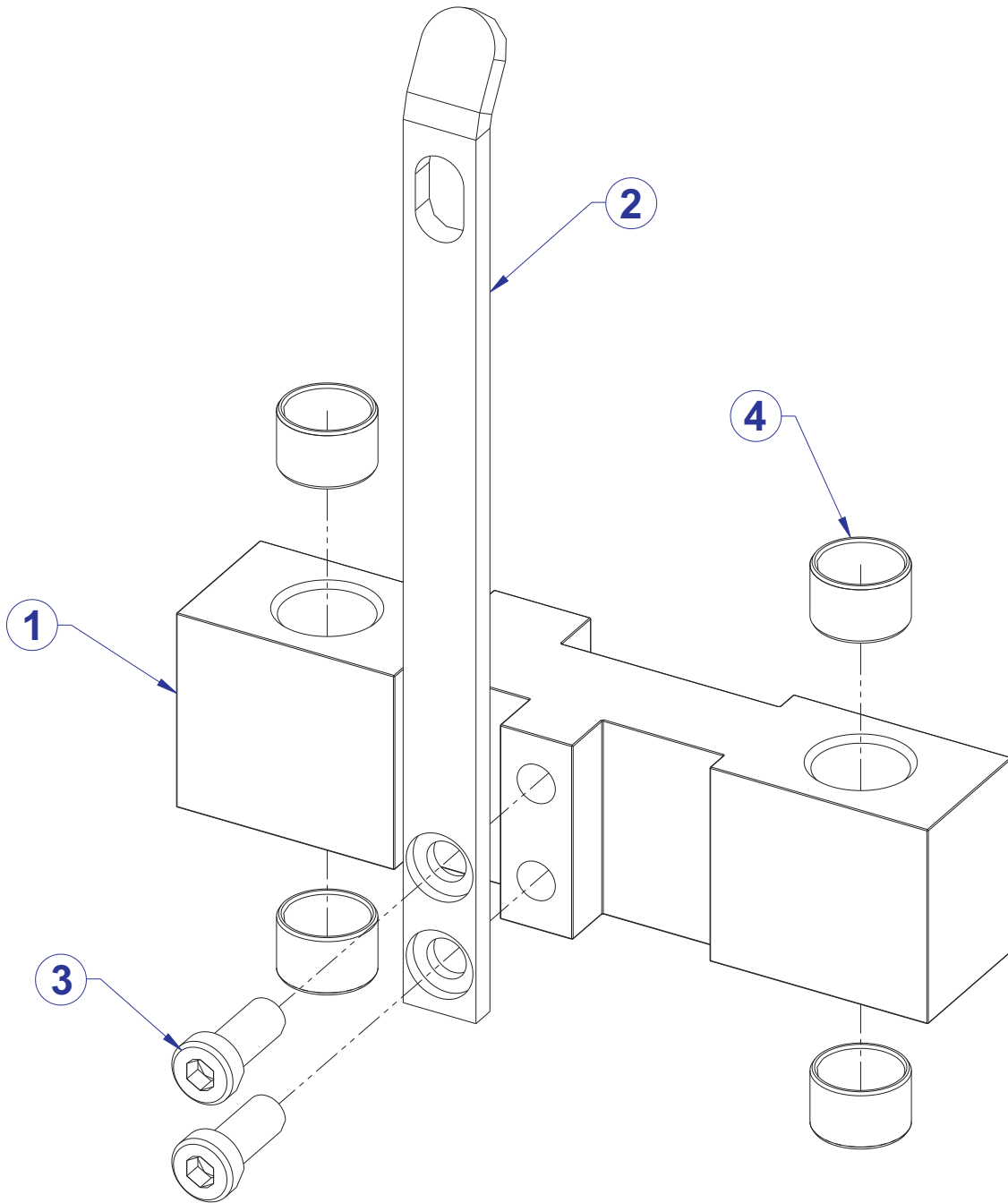


ITEM NO.	QTY.	PART NO.	DESCRIPTION
1	1	8861295	INCREMENT WEIGHT, FZ OPTIONAL - SG
2	1	7328001	BRKT, INCREMENT WT - 5 LB
3	2	3236202	SCREW, M10 X1.5 25MM
4	4	3202501	BEARING, SLEEVE 20 ID X 23.00 X 15 MM

# FZCP CHEST PRESS

## OPTIONAL 5 LB. INCREMENT WEIGHT ASSY. - 8861401

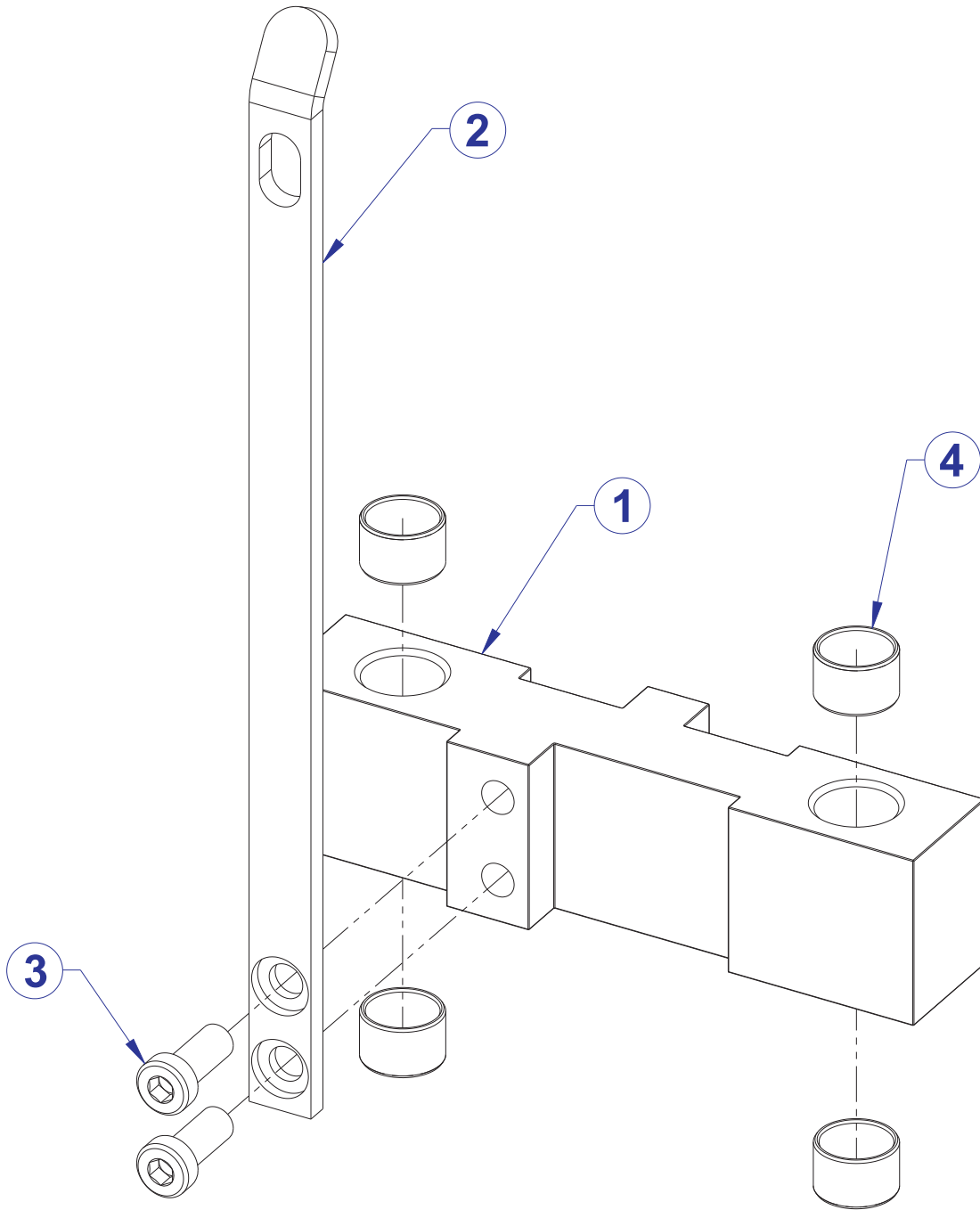
---



ITEM NO.	QTY.	PART NO.	DESCRIPTION
1	1	8861295	INCREMENT WEIGHT, FZ OPTIONAL - SG
2	1	7328101	BRKT, INCREMENT WT - 10 LB
3	2	3236202	SCREW, M10 X1.5 25MM
4	4	3202501	BEARING, SLEEVE 20 ID X 23.00 X 15 MM

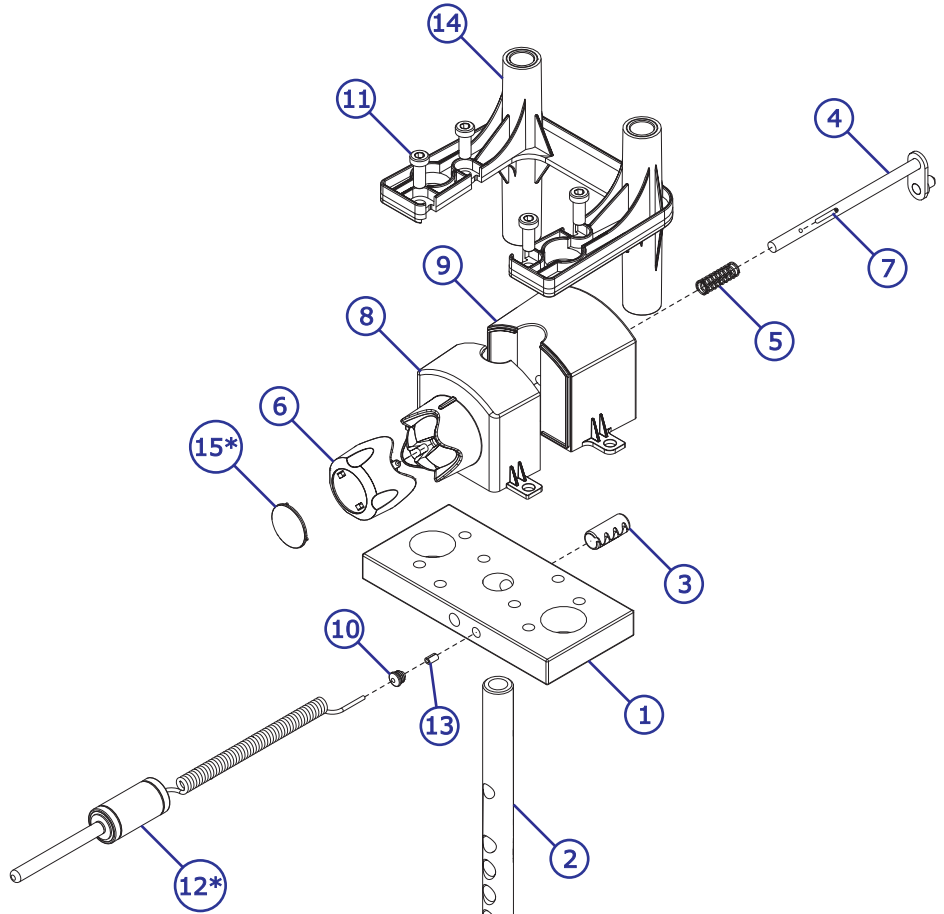
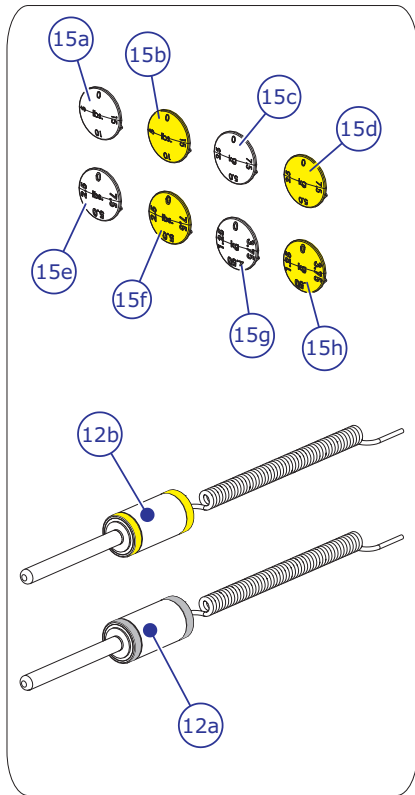
# FZCP CHEST PRESS

## OPTIONAL 7.5 LB. INCREMENT WEIGHT ASSY. - 8861501



ITEM NO.	QTY.	PART NO.	DESCRIPTION
1	1	8861295	INCREMENT WEIGHT, FZ OPTIONAL - SG
2	1	7328201	BRKT, INCREMENT WT - 15 LB
3	2	3236202	SCREW, M10 X1.5 25MM
4	4	3202501	BEARING, SLEEVE 20 ID X 23.00 X 15 MM

# FZCP CHEST PRESS HEAD PLATE ASSEMBLY - 7350701



ITEM NO.	QTY.	PART NO.	DESCRIPTION	WHERE USED
1	1	7326701	HEAD PLATE	-
2	1	7328901	STEM, 14 PLATE	-
3	1	3236001	BUSHING, SPRING PIN	-
4	1	7327201	WLDMT, INCREMENT WT PIN	-
5	1	8024501	SPRING, 1/2 OD X 1-1/2	-
6	1	7326101	KNOB, INC WT SELECTOR	-
7	1	3110008	ROLL PIN, 1/8 X 1-1/4	-
8	1	7326401	HOUSING, SELECTOR - FRONT	-
9	1	7326501	HOUSING, SELECTOR - REAR	-
10	1	7356501	PLUG, LANYARD ATTACHMENT	-
11	4	3236202	SCREW, M10 X1.5 25MM	-
12*	a	7338101	ASSY, WT STACK SELECTOR PIN-SILVER	-
	b	7338103	ASSY, WT STACK SELECTOR PIN-YELLOW	-
13	1	7523601	CRIMP, CABLE	-
14	1	8867301	ASSY, FZ, STABILIZER WITH BUSHINGS	-
15*	a	7398601	CAP, SELECTOR KNOB - 5 LBS, SILVER	REG. STACK / LBS.
	b	7398603	CAP, FZ SELECTOR KNOB - 5 LBS, YELLOW	REG. STACK / LBS.
	c	7398701	CAP, FZ SELECTOR KNOB - 2.5 KG, SILVER	REG. STACK / KG.
	d	7398703	CAP, FZ SELECTOR KNOB - 2.5 KG, YELLOW	REG. STACK / KG.
	e	8865801	CAP, FZ SELECTOR KNOB - 2.5 LBS, SILVER	LIGHT STACK / LBS.
	f	8865803	CAP, FZ SELECTOR KNOB - 2.5 LBS, YELLOW	LIGHT STACK / LBS.
	g	8946501	CAP, FZ SELECTOR KNOB - 1.25 KG, SILVER	LIGHT STACK / KG.
	h	8946503	CAP, FZ SELECTOR KNOB - 1.25 KG, YELLOW	LIGHT STACK / KG.

Kit exists for component set. See bulletin FZ02012701N

\* Language specific/Weight stack item. Order separately-not part of assembly.

# FZCP CHEST PRESS IMAGE

---

