

HAMMER
STRENGTH

End of Life

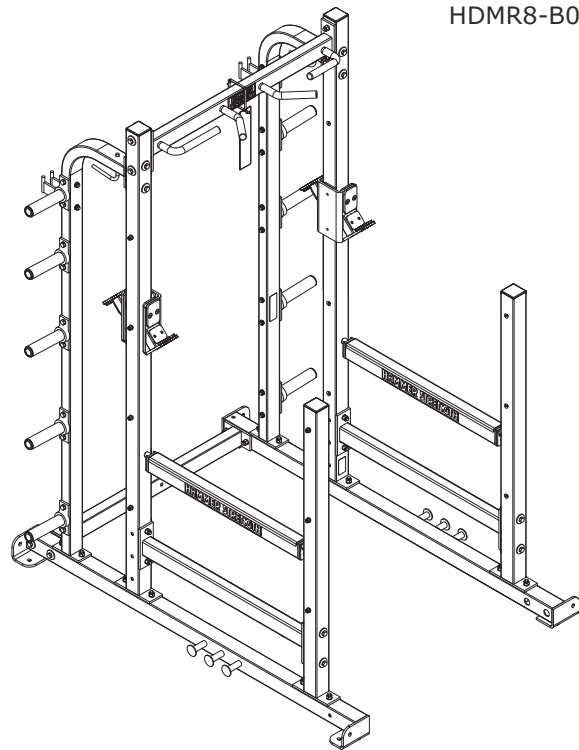
Refer to HDL parts manual for any upright attachments
(ie. bar catches, bar supports, dip handle, etc.)

**HAMMER
STRENGTH®**

building champions

HAMMER STRENGTH HDMR Multi Rack 8 & 9 Foot

PARTS LIST
HDMR8-B04 / HDMR9-B04



3/18/2025

HEAVY DUTY MULTI RACK - HDMR8 & HDMR9

CONTENTS

FRONT LEFT UPRIGHT ASSEMBLY..... 6

FRONT RIGHT UPRIGHT ASSEMBLY..... 7

LEFT SHORT UPRIGHT ASSEMBLY..... 8

RIGHT SHORT UPRIGHT ASSEMBLY..... 9

RIGHT BAR SUPPORT ASSEMBLY..... 10

LEFT BAR SUPPORT ASSEMBLY..... 11

RIGHT BAR CATCH ASSEMBLY..... 12

LEFT BAR CATCH ASSEMBLY..... 13

ANGLED WEIGHT HORN ASSEMBLY..... 14

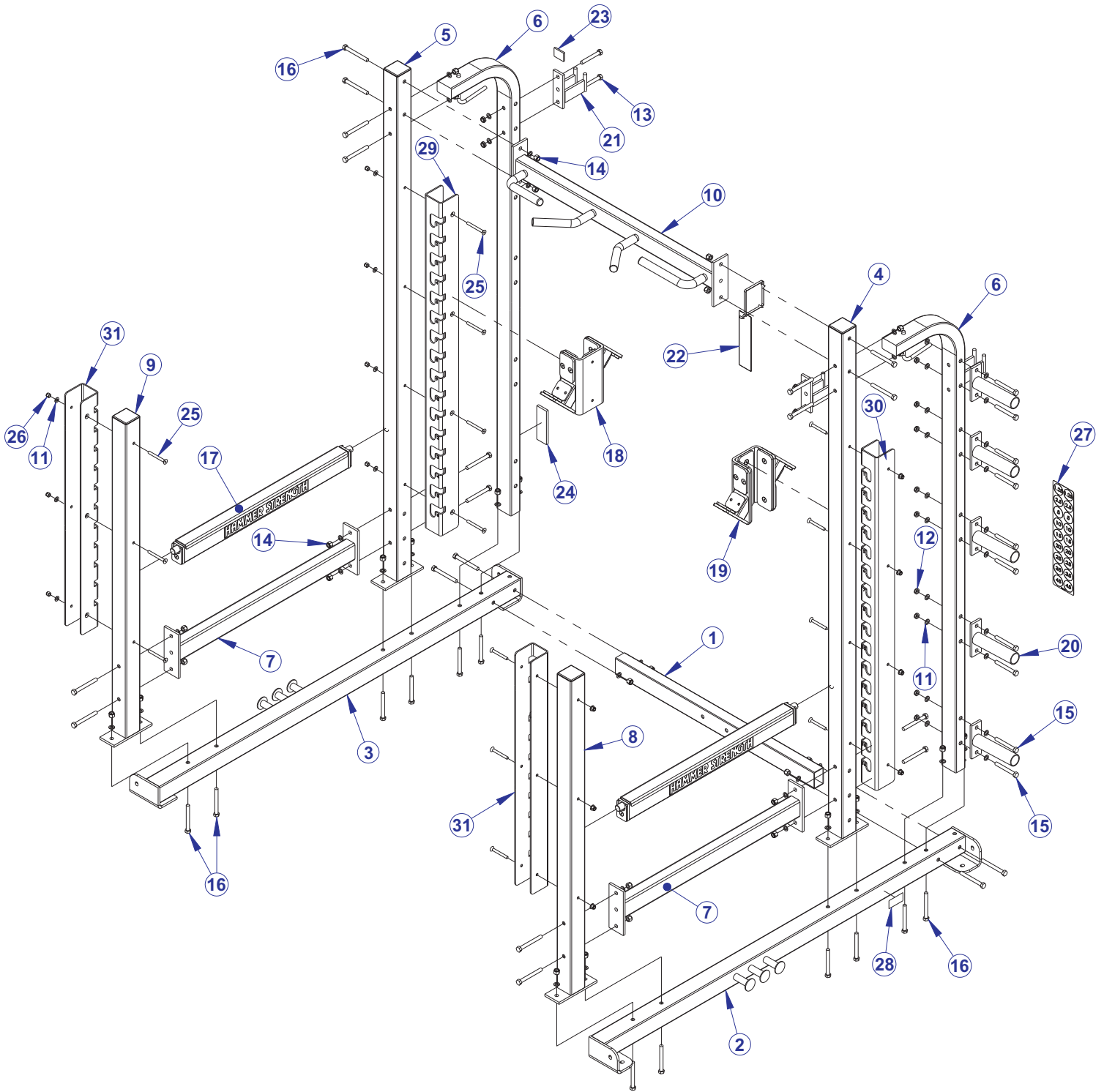
OPTIONAL EQUIPMENT..... 15

OPTIONAL THICK PULL-UP SUPPORT ASSY..... 16

OPTIONAL DOCK-N-LOCK ASSY..... 17

IMAGE..... 18

HEAVY DUTY MULTI RACK - HDMR8 & HDMR9 COMPONENT ASSEMBLY

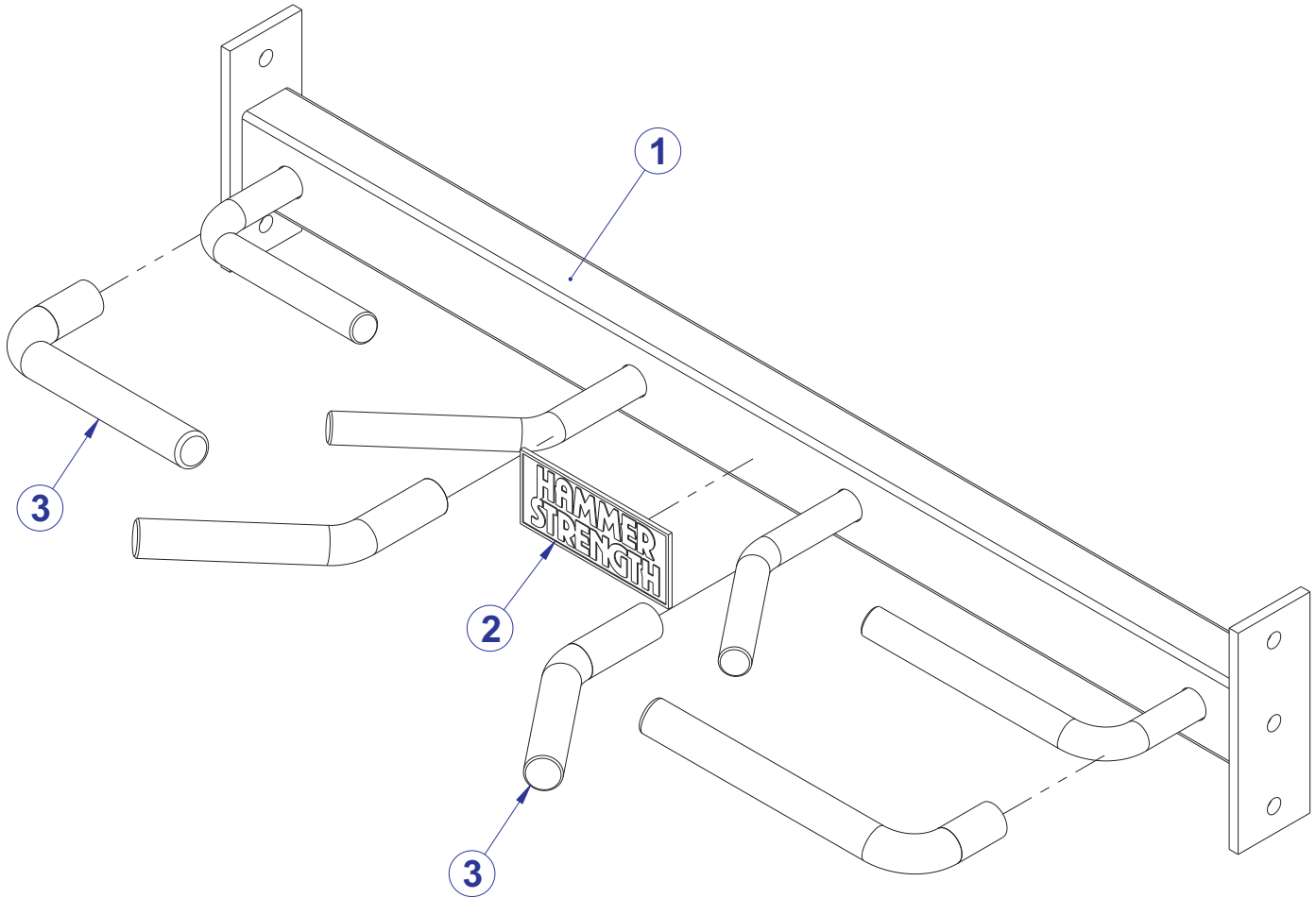


SEE PAGE 4 FOR LEGEND

HEAVY DUTY MULTI RACK - HDMR8 & HDMR9 COMPONENT ASSEMBLY LEGEND

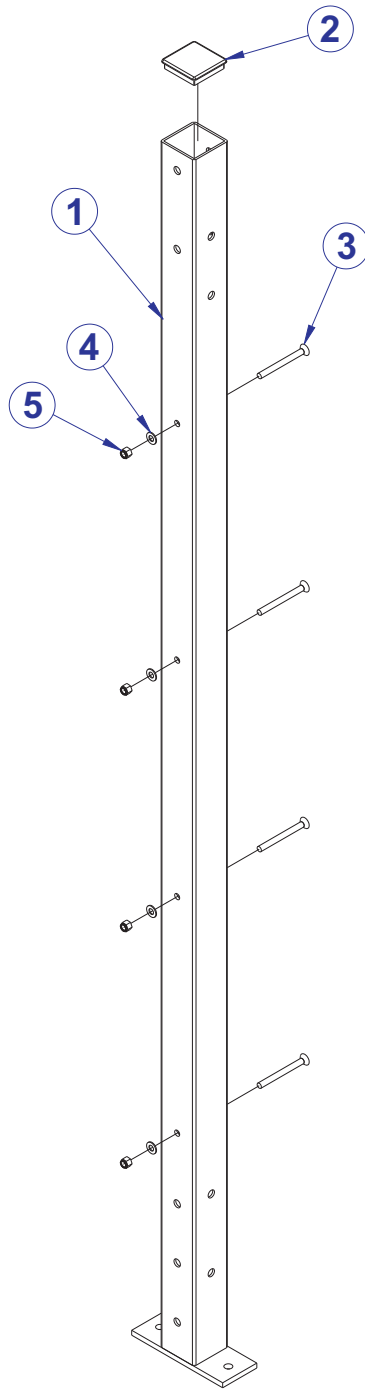
ITEM NO.	QTY.	HDMR8-B04 PART NO.	HDMR9-B04 PART NO.	DESCRIPTION	FRAME COLOR
1	1	HDMR8-RX-1	HDMR8-RX-1	WDMT, REAR CROSS TUBE	ANY
2	1	HDMR8-LSFR-3	HDMR8-LSFR-3	WLDMT, LOWER SIDE FRAME RT	ANY
3	1	HDMR8-LSFL-3	HDMR8-LSFL-3	WLDMT, LOWER SIDE FRAME LEFT	ANY
4	1	HDMR8-CFUPR-1	HDMR8-CFUPR-1	PTD ASSY, COMP FRT UPRIGHT RT	ANY
5	1	HDMR8-CFUPL-1	HDMR8-CFUPL-1	PTD ASSY, COMP FRT UPRIGHT LFT	ANY
6	2	HDMR8-RUP-1	HDMR8-RUP-1	WLDMT, REAR UPRIGHT	ANY
7	2	HDMR8-FX-0	HDMR8-FX-0	WDMT, MULTI RACK FRONT SUPPORT	ANY
8	1	HDMR8-CSUPR-1	HDMR8-CSUPR-1	PTD ASSY - COMP SHORT UPRIGHT RT	ANY
9	1	HDMR8-CSUPL-1	HDMR8-CSUPL-1	PTD ASSY - COMP SHORT UPRIGHT LFT	ANY
10	1	HDMR8-CPU-1	HDMR8-CPU-1	PTD ASSY, PULL-UP SUPPORT	ANY
11	60	WASH.5STAR	WASH.5STAR	1/2" INTERNAL LOCK WASHER	-
12	14	NUT.5JAMLOCK	NUT.5JAMLOCK	1/2" THIN LOCK NUT	-
13	4	HHB.5X3	HHB.5X3	1/2 X 3 BOLT	-
14	32	NUT.5LOCK	NUT.5LOCK	1/2" THICK LOCK NUT	-
15	10	HHB.5X4	HHB.5X4	1/2 X 4 BOLT	-
16	32	HHB.5X4.5	HHB.5X4.5	1/2 X 4 1/2 BOLT	-
17	2	HDMR8-CBC-0	HDMR8-CBC-0	PTD ASSY, BAR CATCH (SHDR)	BLACK
18	1	HDMR8-CBSL-1	HDMR8-CBSL-1	PTD ASSY, BAR SUPPORT LEFT	BLACK
19	1	HDMR8-CBSR-1	HDMR8-CBSR-1	PTD ASSY, BAR SUPPORT RIGHT	BLACK
20	5	ANG-WT-HORN-ASSY	ANG-WT-HORN-ASSY	ANGLED WEIGHT HORN	CHROME
21	2	HDMR8-OBS-0	HDMR8-OBS-0	HD OLYMPIC BAR STORAGE	ANY
22	1	8343101	8343101	TAG, BOLT TO FLOOR	-
23	2	H-PLATE-G1	H-PLATE-G1	SMALL PLATE GUARD	-
24	2	H-PLATE-G3	H-PLATE-G3	LARGE PLATE GUARD	-
25	14	3/8 X 4 FHSCS	3/8 X 4 FHSCS	0.375 X 4 INCH FLAT HEAD CAP SCREW	-
26	14	NUT.375LOCK	NUT.375LOCK	3/8 THICK LOCK NUT	-
27	1	8351801	8351801	LABEL, WEIGHT HORN, SHEET	-
28	1	SERIAL NUMBER	SERIAL NUMBER	SERIAL NUMBER LABEL	-
29	1	HD-LH-RACK-PTDBLK-0	HD-LH-RACK-PTDBLK-0	HD ADJUSTMENT RACK LEFT - STANDARD	BLACK
	-OR-				
30	1	HD-LH-RACK-ZNGRAIN-0	HD-LH-RACK-ZNGRAIN-0	HD ADJUSTMENT RACK LEFT - PREMIUM	GRAIN
	1	HD-RH-RACK-PTDBLK-0	HD-RH-RACK-PTDBLK-0	HD ADJUSTMENT RACK RIGHT - STANDARD	BLACK
	-OR-				
31	1	HD-RH-RACK-ZNGRAIN-0	HD-RH-RACK-ZNGRAIN-0	HD ADJUSTMENT RACK RIGHT - PREMIUM	GRAIN
	1	HD-LH-SHRT-RACK-PTDBLK-0	HD-LH-SHRT-RACK-PTDBLK-0	HD SHORT ADJUSTMENT RACK LEFT - STD	BLACK
32	-OR-				
	1	HD-LH-SHRT-RACK-ZNGRAIN-0	HD-LH-SHRT-RACK-ZNGRAIN-0	HD SHORT ADJUSTMENT RACK LEFT - PREMIUM	GRAIN
	1	HD-RH-SHRT-RACK-PTDBLK-0	HD-RH-SHRT-RACK-PTDBLK-0	HD SHORT ADJUSTMENT RACK RIGHT - STD	BLACK
32	-OR-				
	1	HD-RH-SHRT-RACK-ZNGRAIN-0	HD-RH-SHRT-RACK-ZNGRAIN-0	HD SHORT ADJUSTMENT RACK RIGHT - PREMIUM	GRAIN

HEAVY DUTY MULTI RACK - HDMR8 & HDMR9 BASE PULL-UP SUPPORT ASSEMBLY



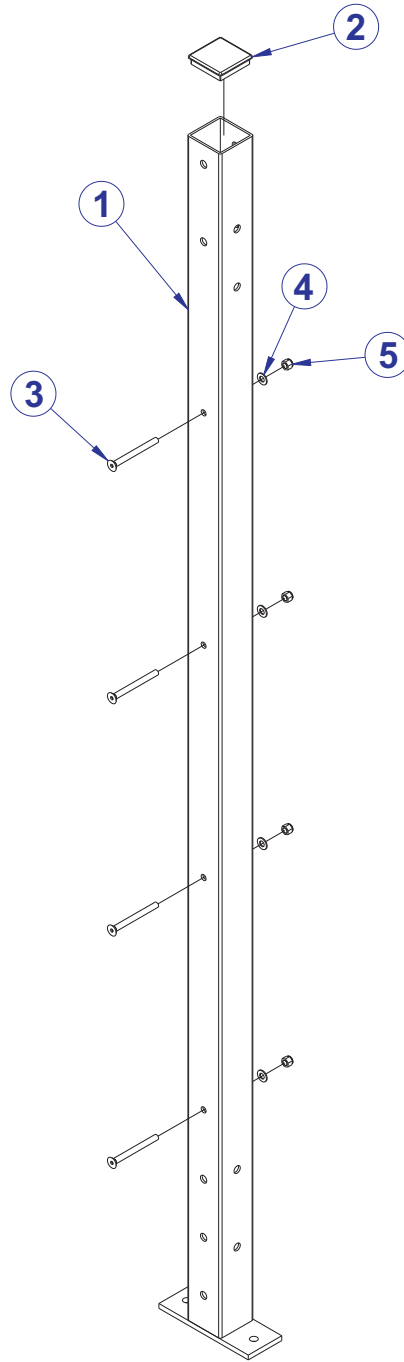
ITEM NO.	QTY.	HDMR8-B04 PART NO.	HDMR9-B04 PART NO.	DESCRIPTION	FRAME COLOR
1	1	HDMR8-PU-1	HDMR9-PU-1	W LDMT, PULL-UP SUPPORT (HDHR)	ANY
2	1	H-NAME PLATE	H-NAME PLATE	HAMMER STRENGTH BADGE	-
3	4	H-GRIP	H-GRIP	HAMMER GRIP	-

HEAVY DUTY MULTI RACK - HDMR8 & HDMR9 FRONT LEFT UPRIGHT ASSEMBLY



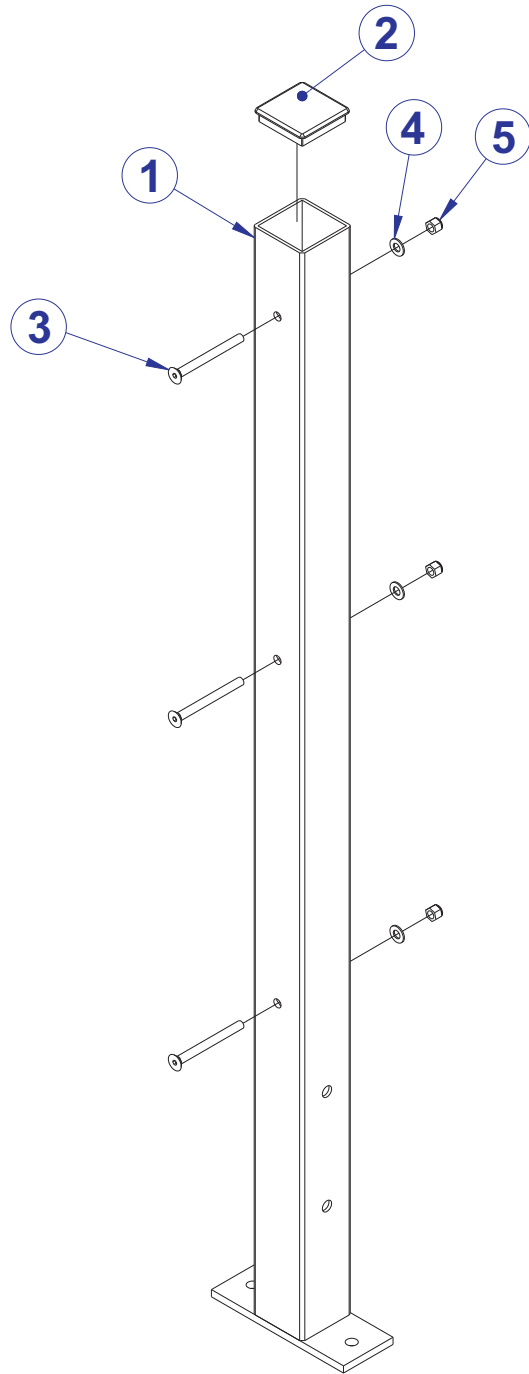
ITEM NO.	QTY.	HDMR8-B04 PART NO.	HDMR9-B04 PART NO.	DESCRIPTION	FRAME COLOR
1	1	HDMR8-FUP-0	HDMR9-FUP-0	WLDMT, 8' UPRIGHT	ANY
2	1	SQ-24-1	SQ-24-1	3 X 3 END CAP	-
3	4	3/8 X 4 FHSCS	3/8 X 4 FHSCS	0.375 X 4" FLAT HEAD CAP SCREW	-
4	4	WASH.375SAE	WASH.375SAE	3/8" SAE FLAT WASHER	-
5	4	NUT.375LOCK	NUT.375LOCK	3/8" THICK LOCK NUT	-

HEAVY DUTY MULTI RACK - HDMR8 & HDMR9 FRONT RIGHT UPRIGHT ASSEMBLY



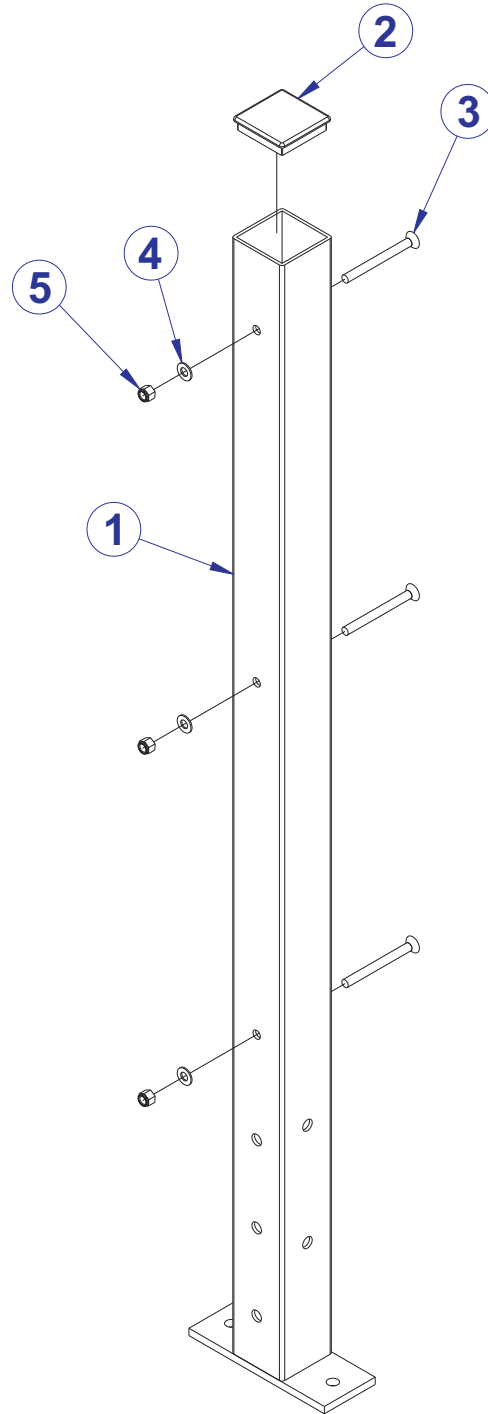
ITEM NO.	QTY.	HDMR8-B04 PART NO.	HDMR9-B04 PART NO.	DESCRIPTION	FRAME COLOR
1	1	HDMR8-FUP-0	HDMR9-FUP-0	WLDMT, 8' UPRIGHT	ANY
2	1	SQ-24-1	SQ-24-1	3 X 3 END CAP	-
3	4	3/8 X 4 FHSCS	3/8 X 4 FHSCS	0.375 X 4" FLAT HEAD CAP SCREW	-
4	4	WASH.375SAE	WASH.375SAE	3/8" SAE FLAT WASHER	-
5	4	NUT.375LOCK	NUT.375LOCK	3/8" THICK LOCK NUT	-

HEAVY DUTY MULTI RACK - HDMR8 & HDMR9 LEFT SHORT UPRIGHT ASSEMBLY



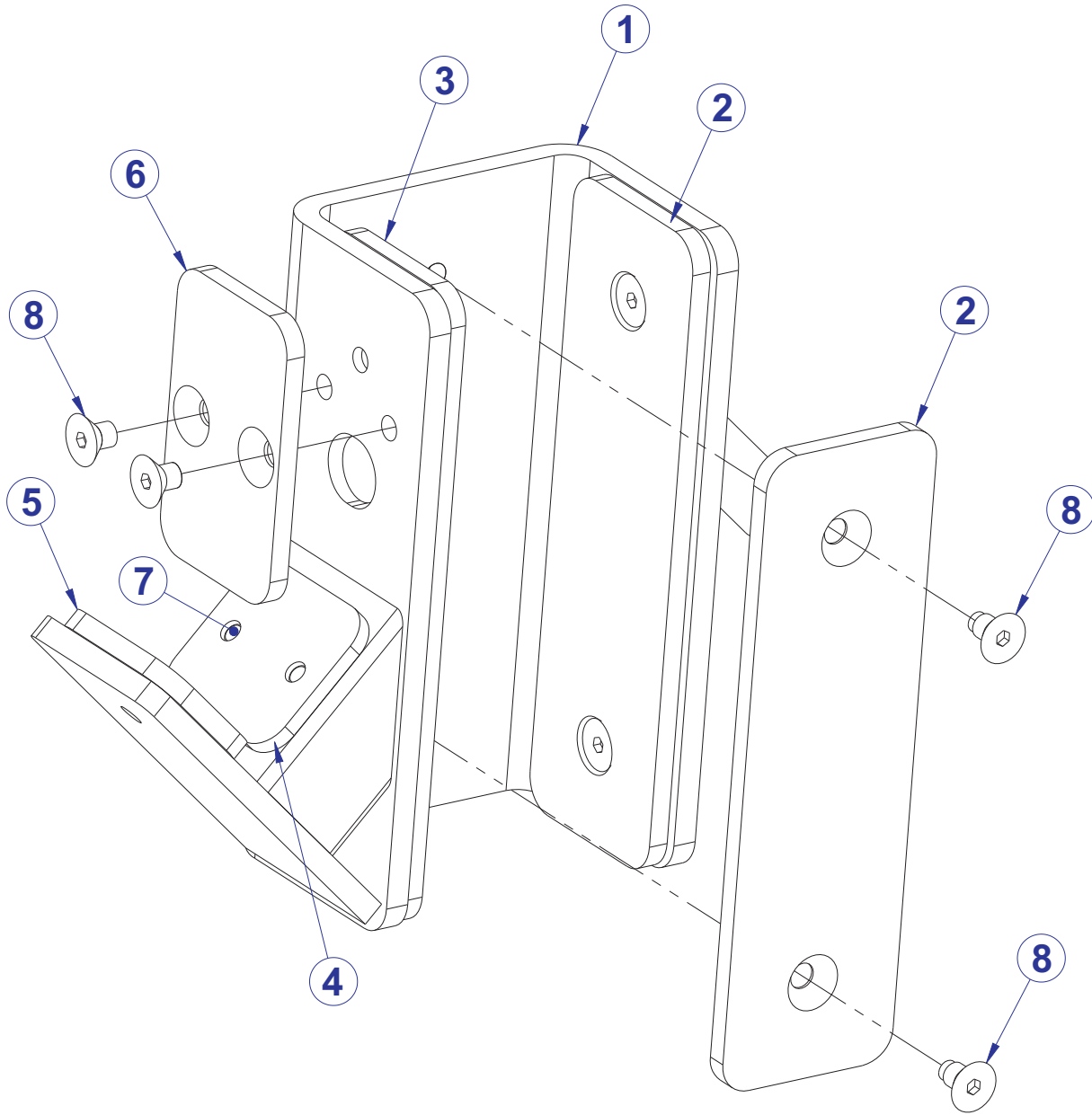
ITEM NO.	QTY.	HDMR8-B04 PART NO.	HDMR9-B04 PART NO.	DESCRIPTION	FRAME COLOR
1	1	HDMR8-SUP-0	HDMR9-SUP-0	WLDMNT, SHORT UPRIGHT	ANY
2	1	SQ-24-1	SQ-24-1	3 X 3 END CAP	-
3	3	3/8 X 4 FHSCS	3/8 X 4 FHSCS	0.375 X 4" FLAT HEAD CAP SCREW	-
4	3	WASH.375SAE	WASH.375SAE	3/8" SAE FLAT WASHER	-
5	3	NUT.375LOCK	NUT.375LOCK	3/8" THICK LOCK NUT	-

HEAVY DUTY MULTI RACK - HDMR8 & HDMR9 RIGHT SHORT UPRIGHT ASSEMBLY



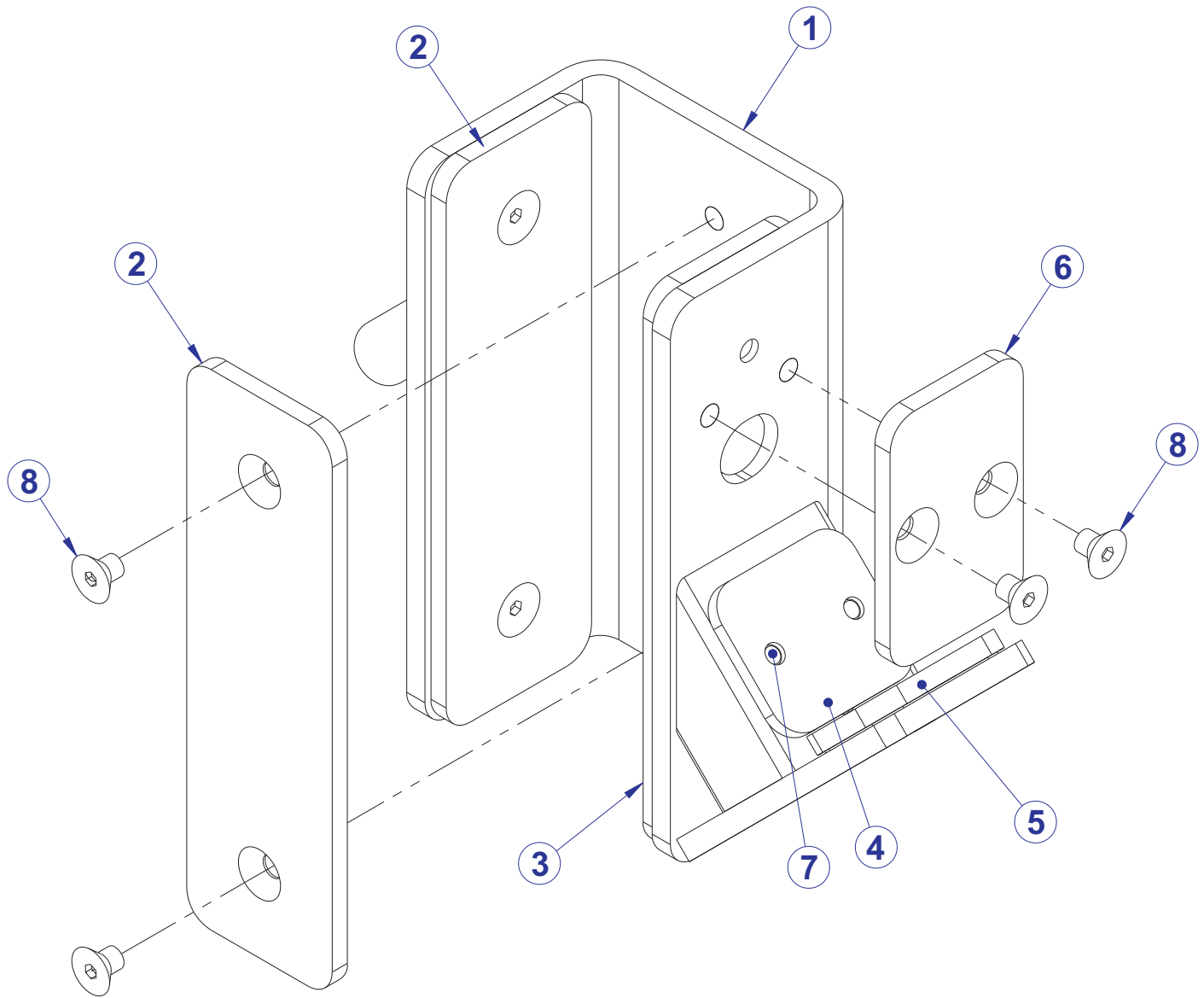
ITEM NO.	QTY.	HDMR8-B04 PART NO.	HDMR9-B04 PART NO.	DESCRIPTION	FRAME COLOR
1	1	HDMR8-SUP-0	HDMR9-SUP-0	WLDMNT, SHORT UPRIGHT	ANY
2	1	SQ-24-1	SQ-24-1	3 X 3 END CAP	-
3	3	3/8 X 4 FHSCS	3/8 X 4 FHSCS	0.375 X 4" FLAT HEAD CAP SCREW	-
4	3	WASH.375SAE	WASH.375SAE	3/8" SAE FLAT WASHER	-
5	3	NUT.375LOCK	NUT.375LOCK	3/8" THICK LOCK NUT	-

HEAVY DUTY MULTI RACK - HDMR8 & HDMR9 RIGHT BAR SUPPORT ASSEMBLY



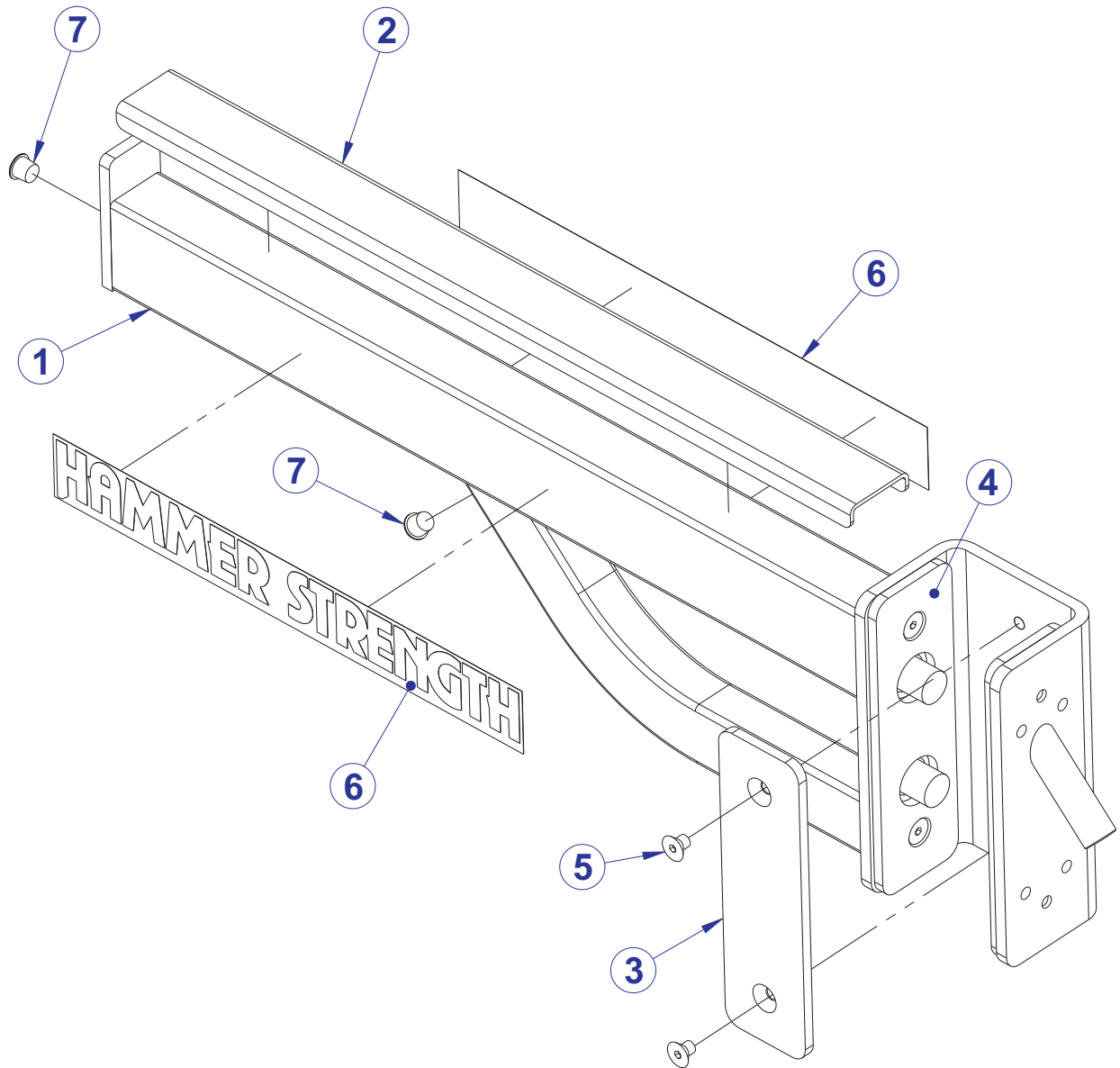
ITEM NO.	QTY.	HDMR8-B04 PART NO.	HDMR9-B04 PART NO.	DESCRIPTION	FRAME COLOR
1	1	HDMR8-BSR-0	HDMR9-BSR-0	WLDMT, BAR SUPPORT RIGHT	BLACK
2	2	HD-BKT-PNT-GRD-02	HD-BKT-PNT-GRD-02	PAINT GUARD, 10" X 3"	-
3	1	HD-BKT-PNT-GRD-HOLES-02	HD-BKT-PNT-GRD-HOLES-02	PAINT GRD, 10" X 3" w/ 1.5" HOLES	-
4	1	HD-BS-PNT-GRD-MED-00	HD-BS-PNT-GRD-MED-00	BAR SUPT LOWER PNT GRD	-
5	1	HD-BS-PNT-GRD-SML-02	HD-BS-PNT-GRD-SML-02	BAR SUPT SML PNT GRD	-
6	1	HD-BS-PNT-GRD-LRG-02	HD-BS-PNT-GRD-LRG-02	BAR SUPT FRT PNT GRD	-
7	2	RIVET	RIVET	RIVET 5/32 X 3/8	-
8	9	3/8 X 1/2 FHSCS	3/8 X 1/2 FHSCS	0.375 X 1/2" FLAT HEAD CAP SCREW	-

HEAVY DUTY MULTI RACK - HDMR8 & HDMR9 LEFT BAR SUPPORT ASSEMBLY



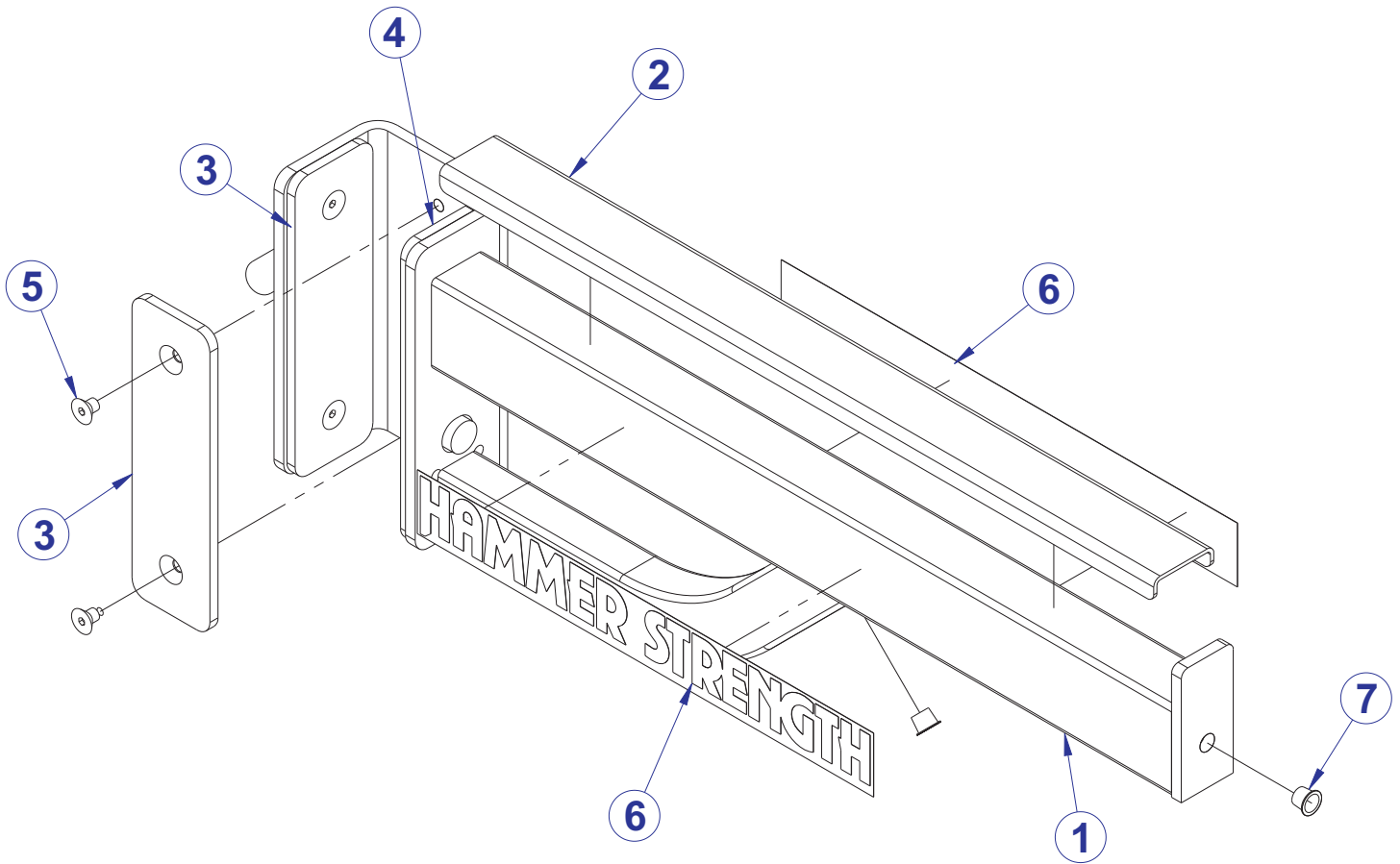
ITEM NO.	QTY.	HDMR8-B04 PART NO.	HDMR9-B04 PART NO.	DESCRIPTION	FRAME COLOR
1	1	HDMR8-BSL-0	HDMR9-BSL-0	WLDMT, BAR SUPPORT LEFT	BLACK
2	2	HD-BKT-PNT-GRD-02	HD-BKT-PNT-GRD-02	PAINT GUARD, 10" X 3"	-
3	1	HD-BKT-PNT-GRD-HOLES-02	HD-BKT-PNT-GRD-HOLES-02	PAINT GRD, 10" X 3" w/ 1.5" HOLES	-
4	1	HD-BS-PNT-GRD-MED-00	HD-BS-PNT-GRD-MED-00	BAR SUPT LOWER PNT GRD	-
5	1	HD-BS-PNT-GRD-SML-02	HD-BS-PNT-GRD-SML-02	BAR SUPT SML PNT GRD	-
6	1	HD-BS-PNT-GRD-LRG-02	HD-BS-PNT-GRD-LRG-02	BAR SUPT FRT PNT GRD	-
7	2	RIVET	RIVET	RIVET 5/32 X 3/8	-
8	9	3/8 X 1/2 FHSCS	3/8 X 1/2 FHSCS	0.375 X 1/2" FLAT HEAD CAP SCREW	-

HEAVY DUTY MULTI RACK - HDMR8 & HDMR9 RIGHT BAR CATCH ASSEMBLY



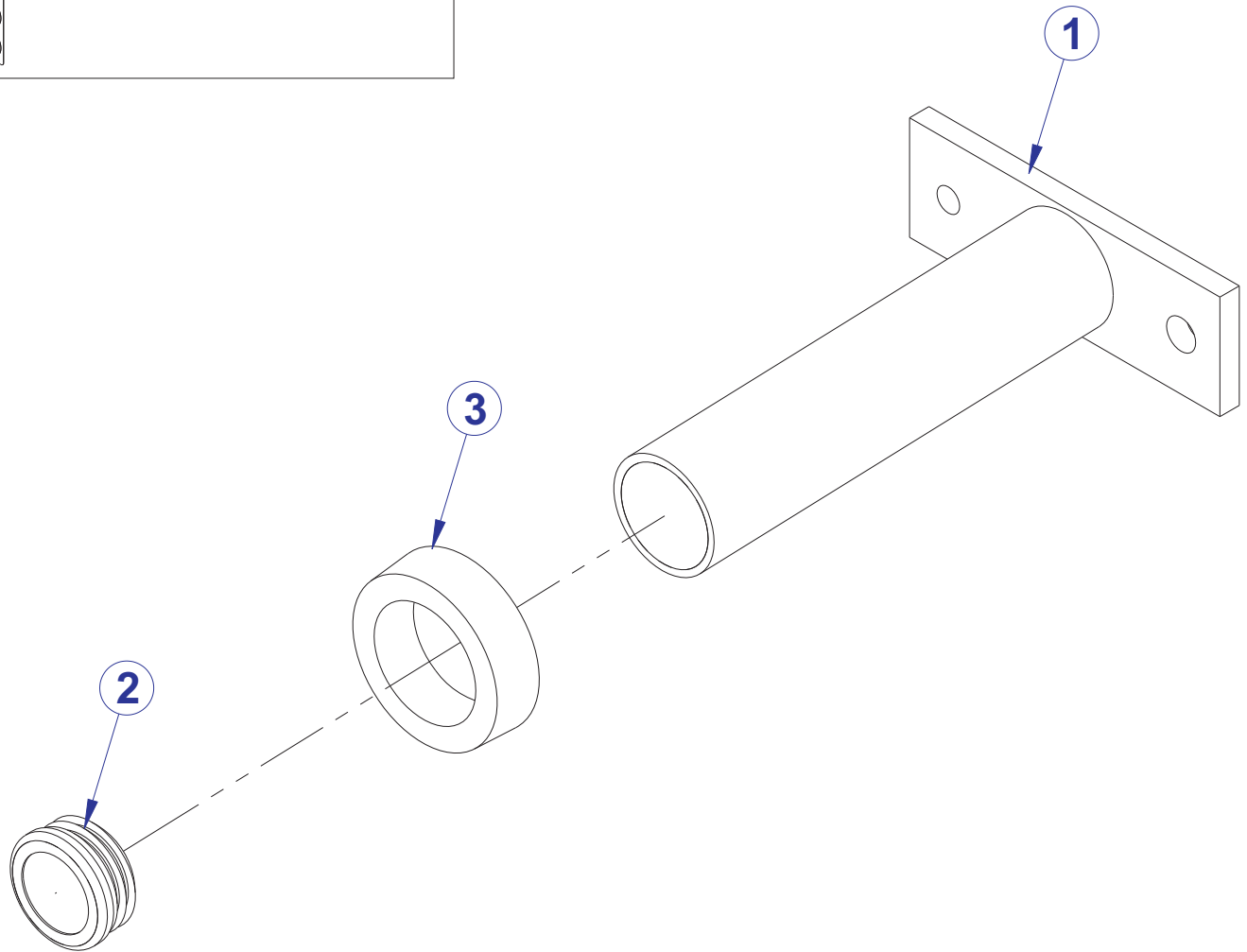
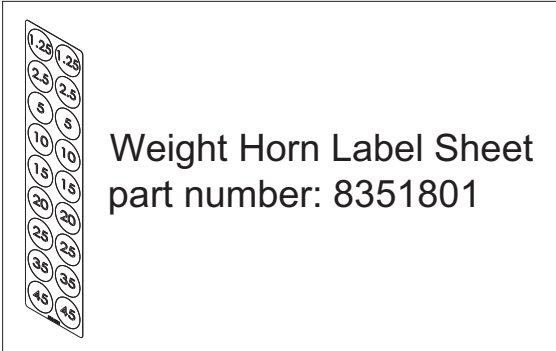
ITEM NO.	QTY.	HDMR8-B04 PART NO.	HDMR9-B04 PART NO.	DESCRIPTION	FRAME COLOR
1	1	HDMR8-BCR-0	HDMR9-BCR-0	WLDMT, BAR CATCH RIGHT	BLACK
2	1	HD-BC-PNT-GRD-SML-00	HD-BC-PNT-GRD-SML-00	BAR CATCH PAINT GUARD TOP (27.5)	-
3	2	HD-BKT-PNT-GRD-02	HD-BKT-PNT-GRD-02	PAINT GUARD, 10" X 3"	-
4	1	HD-BKT-PNT-GRD-HOLES-02	HD-BKT-PNT-GRD-HOLES-02	PAINT GRD, 10" X 3" w/ 1.5" HOLES	-
5	6	3/8 X 1/2 FHSCS	3/8 X 1/2 FHSCS	0.375 X 1/2" FLAT HEAD CAP SCREW	-
6	2	H-DECAL-LOGO	H-DECAL-LOGO	HAMMER STRENGTH LARGE DECAL	-
7	2	H-HPLUG(REG)	H-HPLUG(REG)	9/16IN HOLE PLUG	-

HEAVY DUTY MULTI RACK - HDMR8 & HDMR9 LEFT BAR CATCH ASSEMBLY



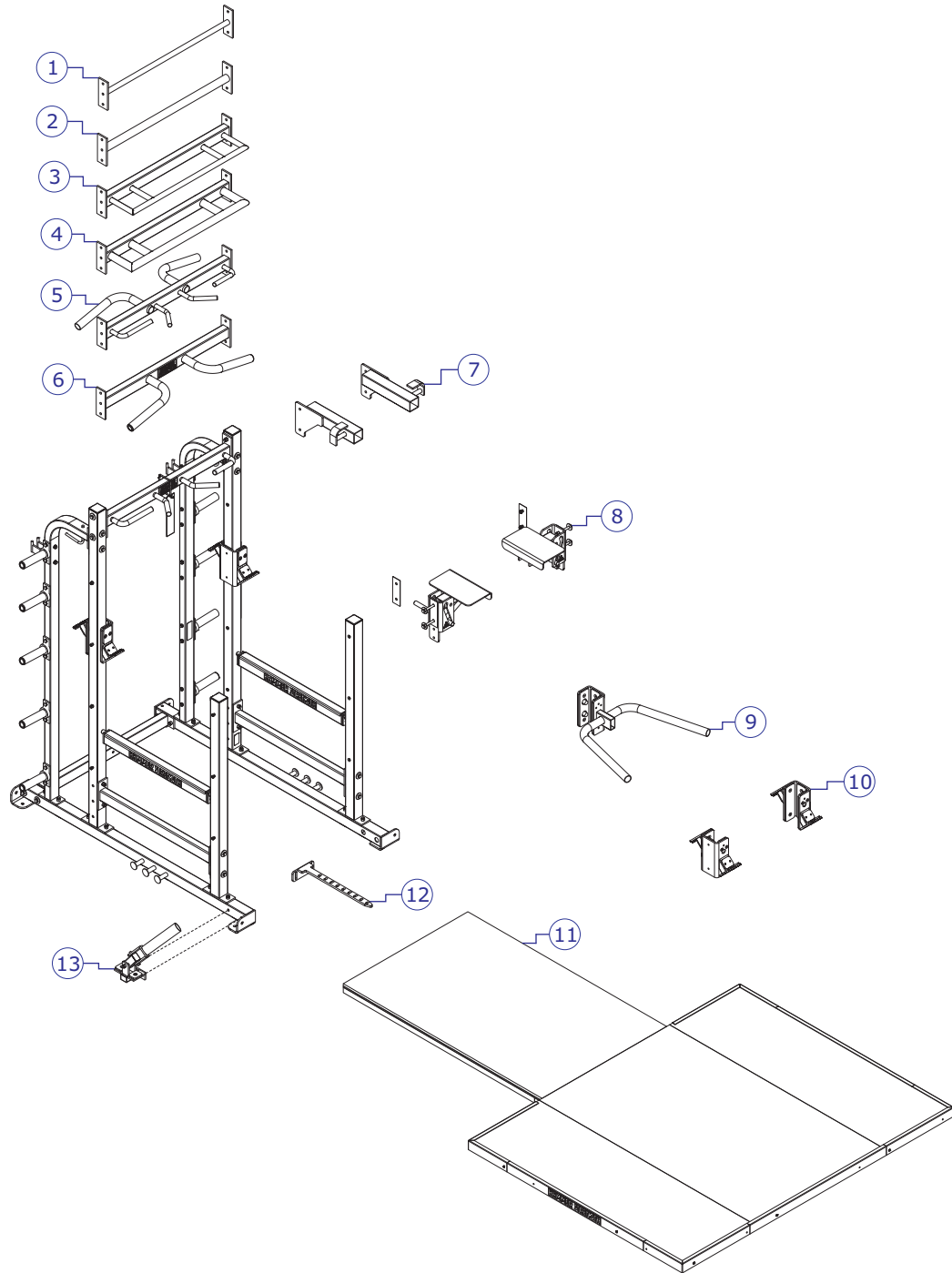
ITEM NO.	QTY.	HDMR8-B04 PART NO.	HDMR9-B04 PART NO.	DESCRIPTION	FRAME COLOR
1	1	HDMR8-BCL-0	HDMR9-BCL-0	WLDMT, BAR CATCH LEFT	BLACK
2	1	HD-BC-PNT-GRD-SML-00	HD-BC-PNT-GRD-SML-00	BAR CATCH PAINT GUARD TOP (27.5)	-
3	2	HD-BKT-PNT-GRD-02	HD-BKT-PNT-GRD-02	PAINT GUARD, 10" X 3"	-
4	1	HD-BKT-PNT-GRD-HOLES-02	HD-BKT-PNT-GRD-HOLES-02	PAINT GRD, 10" X 3" w/ 1.5" HOLES	-
5	6	3/8 X 1/2 FHSCS	3/8 X 1/2 FHSCS	0.375 X 1/2" FLAT HEAD CAP SCREW	-
6	2	H-DECAL-LOGO	H-DECAL-LOGO	HAMMER STRENGTH LARGE DECAL	-
7	2	H-HPLUG(REG)	H-HPLUG(REG)	9/16IN HOLE PLUG	-

HEAVY DUTY MULTI RACK - HDMR8 & HDMR9 ANGLED WEIGHT HORN ASSEMBLY



ITEM NO.	QTY.	HDMR8-B04 PART NO.	HDMR9-B04 PART NO.	DESCRIPTION	FRAME COLOR
1	1	ANG-WT-HORN-ASSY	ANG-WT-HORN-ASSY	WDMNT, ANGLED WEIGHT HORN	PLATED
2	1	H-RUBCAP2	H-RUBCAP2	PLUG, HAMMER WEIGHT HORN	-
3	1	H-RUBRNG	H-RUBRNG	MM5 RING	-

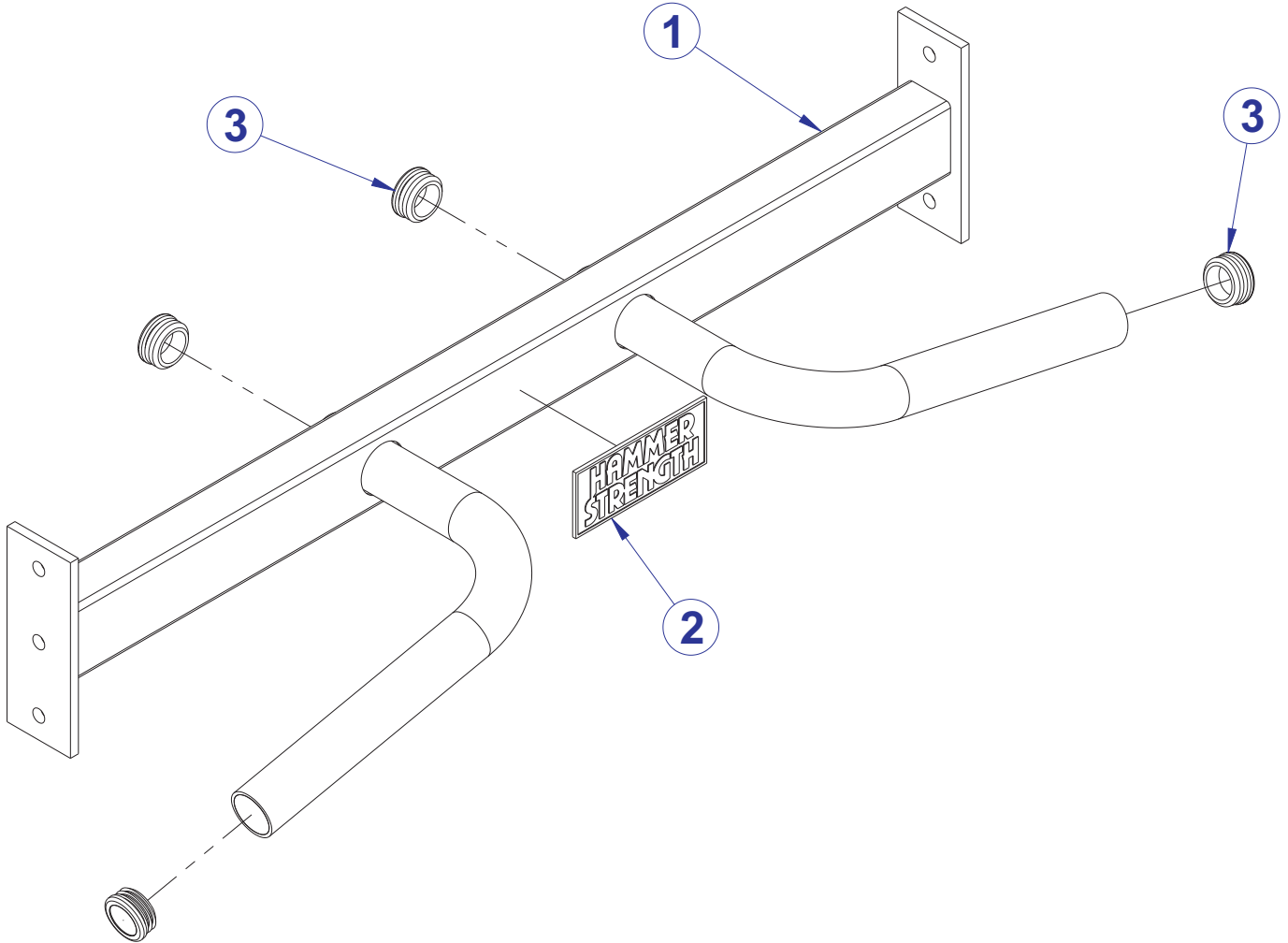
HEAVY DUTY MULTI RACK - HDMR8 & HDMR9 OPTIONAL EQUIPMENT



ITEM NO.	HDMR8-B04 ACCESSORY NAME	HDMR9-B04 ACCESSORY NAME	DESCRIPTION	FRAME COLOR
1	HDS SPU-PU-0	HDSSPU-PU-0	STD STRAIGHT PULL UP	ANY
2	HDT SPU-PU-0	HDTSPU-PU-0	THICK STRAIGHT PULL UP	ANY
3	HDS NPU-PU-0	HDSNPU-PU-0	STD NEUTRAL PULL UP	ANY
4	HDT NPU-PU-0	HDTNPU-PU-0	THICK NEUTRAL PULL UP	ANY
5	HDDPU-CPU-0	HDDPU-CPU-0	ASSY, DUAL PULL UP	ANY
6	HDTPU-CPU-0	HDTPU-CPU-0	ASSY, THICK PULL-UP	ANY
7	HDUBP	HDUBP	ASSY, UPPER BAND PEGS (SET of 2)	ANY
8	HDSP	HDSP	ASSY, SPOTTER PLATFORM (SET of 2)	BLACK
9	HDRDIP	HDRDIP	HEAVY DUTY REVERSE DIP HANDLE	BLACK
10	HDRBS	HDRBS	HEAVY DUTY REVERSE BAR SUPPORTS (SET OF 2)	BLACK
11	HDMI4X8	HDMI4X8	HD 4X8 PLATFORM, MEDIUM INSERT (NOT SHOWN)	-
	HDMI6X8	HDMI6X8	HD 6X8 PLATFORM, MEDIUM INSERT (SHOWN)	-
12	HDLM	HDLM	HD LANDMINE ATTACHMENT (EITHER SIDE)	ANY
13	HDDL	HDDL	HEAVY DUTY DOCK LOCK SHORT (FOR HR, PR, MR)	PLATED

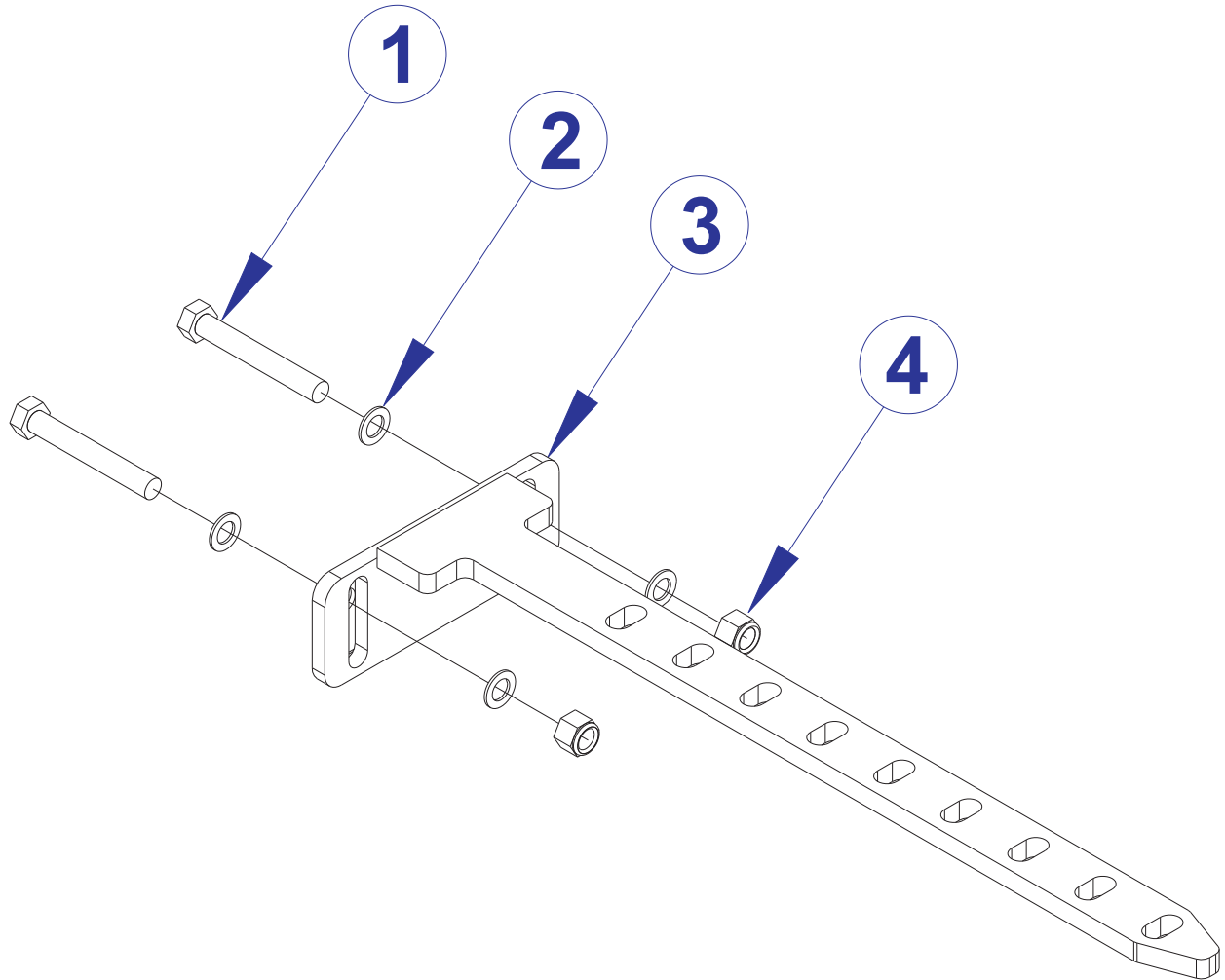
CONTACT LF SALES FOR HD ACCESSORIES

HEAVY DUTY MULTI RACK - HDMR8 & HDMR9 OPTIONAL THICK PULL-UP SUPPORT ASSY.



ITEM NO.	QTY.	HDMR8-B04 PART NO.	HDMR9-B04 PART NO.	DESCRIPTION	FRAME COLOR
1	1	HDTPU-PU-0	HDTPU-PU-0	W LDMT, THICK PULL UP BAR	ANY
2	1	H-NAME PLATE	H-NAME PLATE	NAMEPLATE (45156-P)	-
3	4	H-RUBCAP2	H-RUBCAP2	PLUG, HAMMER WEIGHT HORN	-

HEAVY DUTY MULTI RACK - HDMR8 & HDMR9 OPTIONAL DOCK-N-LOCK



ITEM NO.	QTY.	HDHR8-B04 PART NO.	HDHR9-B04 PART NO.	DESCRIPTION	FRAME COLOR
1	2	HHB.5X3.5	HHB.5X3.5	1/2 X 3-1/2 BOLT	-
2	4	WASH.5STAR	WASH.5STAR	1/2 INTERNAL LOCK WASHER	-
3	1	HD-SDL-1	HD-SDL-1	WLDMT, SHORT DOCK-LOCK PLATED	PLATED
4	2	NUT.5JAMLOCK	NUT.5JAMLOCK	1/2 THIN LOCK NUT	-

HEAVY DUTY MULTI RACK - HDMR8 & HDMR9 IMAGE



Shown with optional: HDADJ Bench
HDSP Spotter Platform
HDDL5 Dock & Lock