

HAMMER[®] STRENGTH

**HAMMER
STRENGTH[®]**

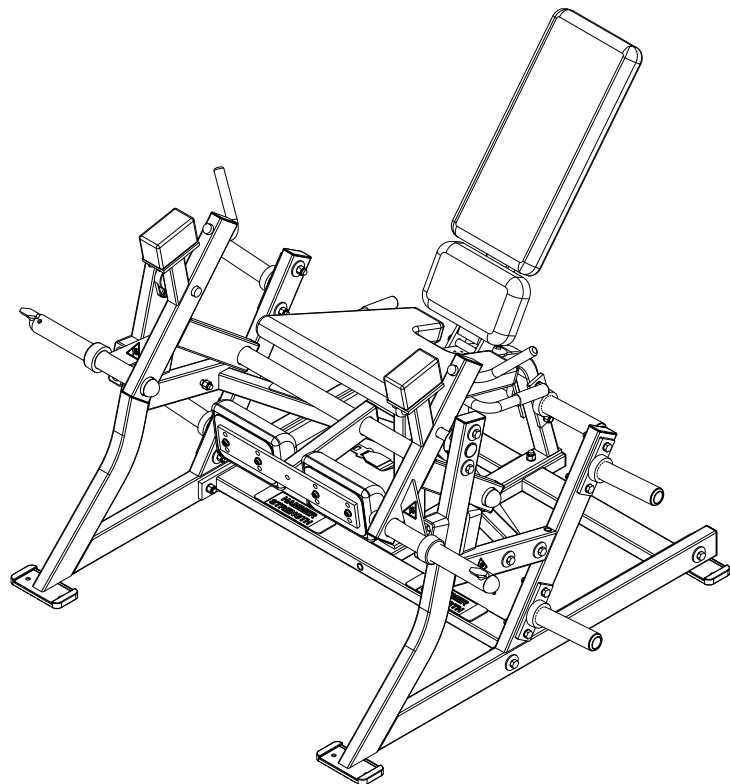
PLATE LOADED

PARTS MANUAL

LEG EXTENSION

PLLE & PL-LE

MARCH 13, 2025



CONTENTS

COMPONENT ASSEMBLY	PAGE 3
LEFT TOP CROSS MEMBER ASSEMBLY	4
BASE FRAME ASSEMBLY	5
LEFT SIDE FRAME ASSEMBLY	6
MOVEMENT ARM ASSEMBLY	7
SEAT FRAME ASSEMBLY	8
ADJ. SEAT BACK ASSEMBLY	9
RIGHT SIDE FRAME ASSEMBLY	10
RIGHT TOP CROSS MEMBER ASSEMBLY	11
WEIGHT HORN ASSEMBLY	12

KEY

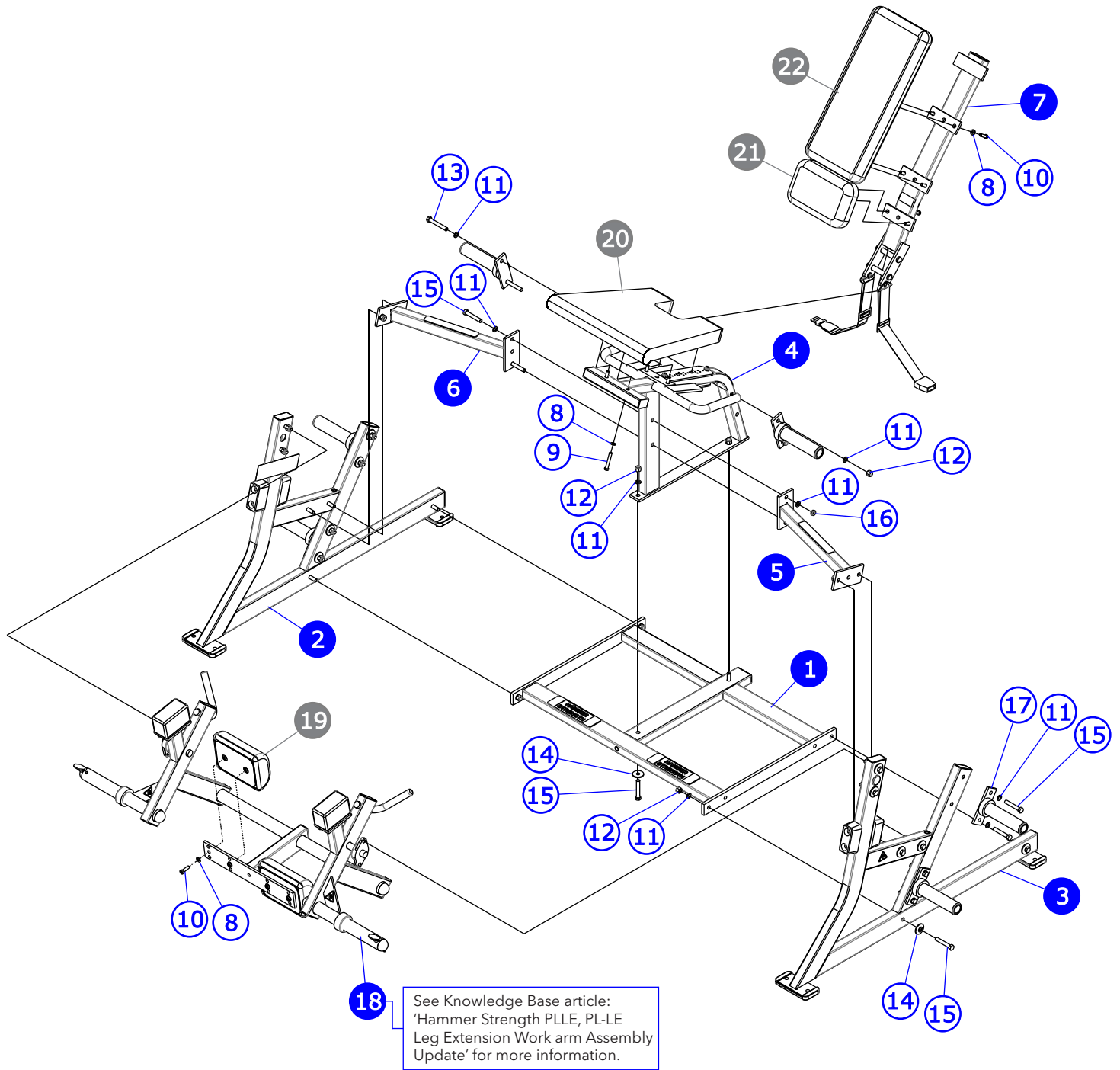
UPHOLSTERY ① ② ③

Items with Gray call-outs require the upholstery color listed within the order notes. IE: Putty

FRAME AND MOVEMENT ARM COLORS ① ② ③

Items with Blue call-outs require the powder coat frame color to be listed within the order notes.

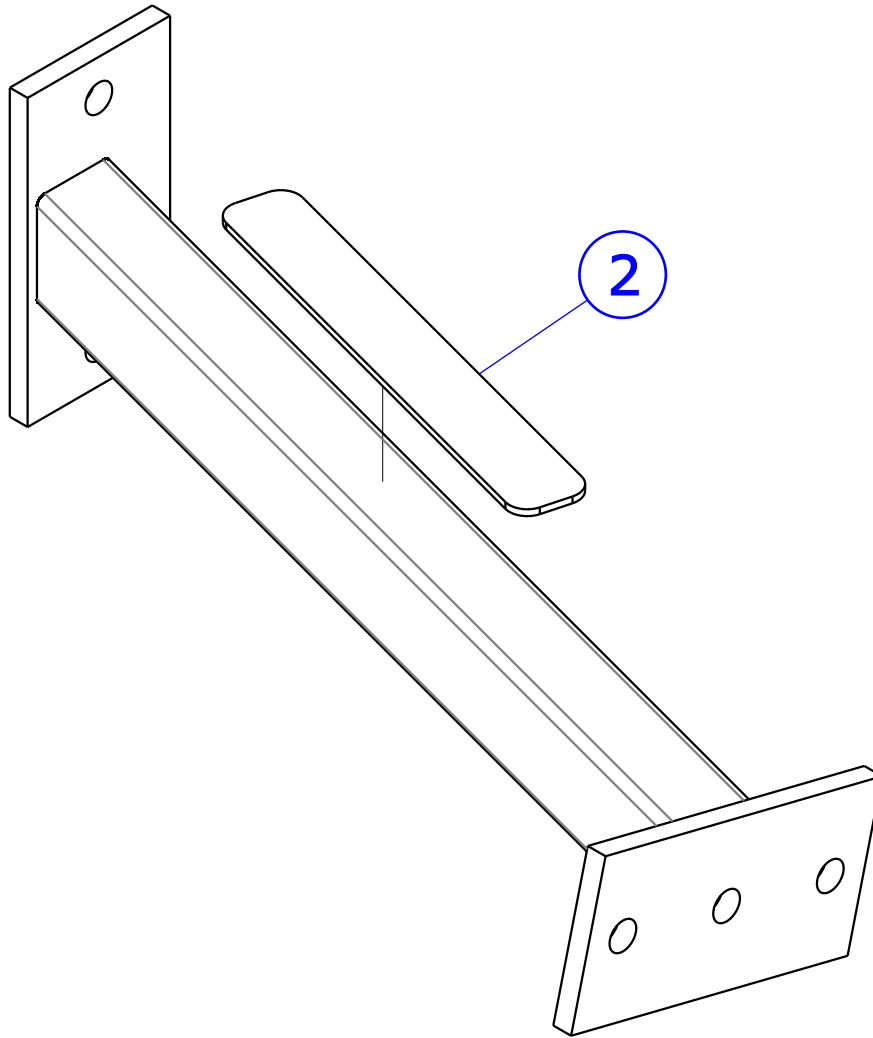
COMPONENT ASSEMBLY



ITEM NO.	QTY.	PART NO.	DESCRIPTION
1	1	PLLE-CBX	ASSY, BASE FRAME, PLLE
2	1	PLLE-CSFR	ASSY, SIDE FRAME, RIGHT, PLLE
3	1	PLLE-CSFL	ASSY, SIDE FRAME, LEFT, PLLE
4	1	PLLE-CST	ASSY, SEAT FRAME, PLLE
5	1	PLLE-CTXL	ASSY, TOP CROSSMEMBER, LEFT, PLLE
6	1	PLLE-CTXR	ASSY, TOP CROSSMEMBER, RIGHT, PLLE
7	1	ILLE-CAJST	ASSY, ADJ SEAT BACK, ILLE
8	14	WASH.375SAE	3/8" SAE FLAT WASHER
9	2	3236210	SCREW, M10 X1.5 65MM
10	12	3236204	SCREW, M10 X1.5 35MM
11	26	WASH.5STAR	1/2" INTERNAL LOCK WASHER

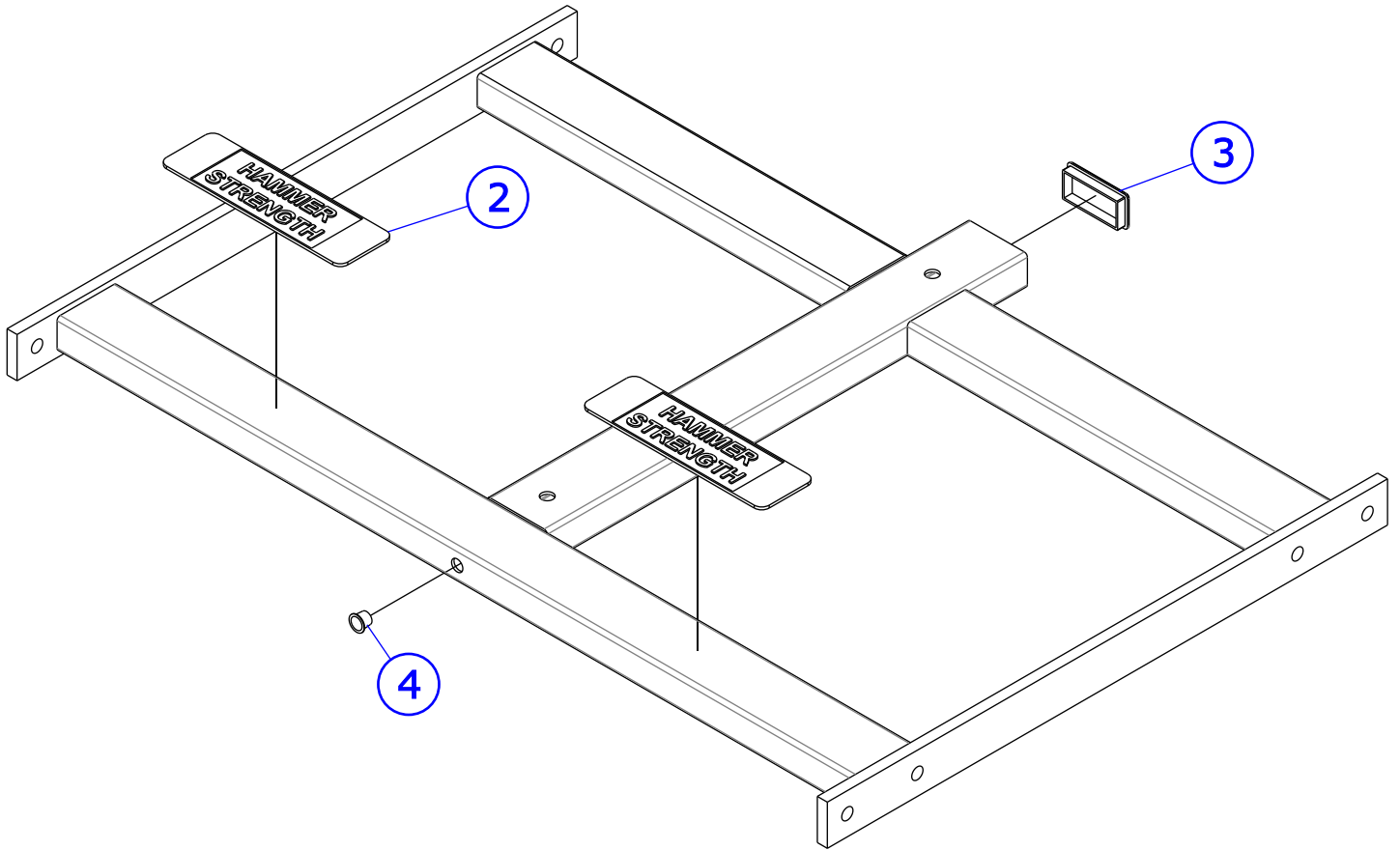
ITEM NO.	QTY.	PART NO.	DESCRIPTION
12	20	NUT.5LOCK	1/2 DIA THICK LOCK NUT
13	2	HHB.5X3.5	1/2 X3 1/2 BOLT
14	18	H-BACK-WASH	BACKING WASHER
15	20	HHB.5X3	1/2 X3 BOLT
16	2	NUT.5JAMLOCK	1/2 THIN LOCK NUT
17	6	1002178-0001	ASSY, WEIGHT HORN
18	1	1001402-0001	ASSY, MOVEMENT ARM, PLLE
19	2	7499699	PAD, 9 X6-1/2 X2-7/8
20	1	7399299	PAD, SEAT 21 X20-1/16
21	1	7399399	PAD, 7 X11-1/4
22	1	7398899	PAD, BACK 25 X11-1/4

LEFT TOP CROSS MEMBER ASSEMBLY



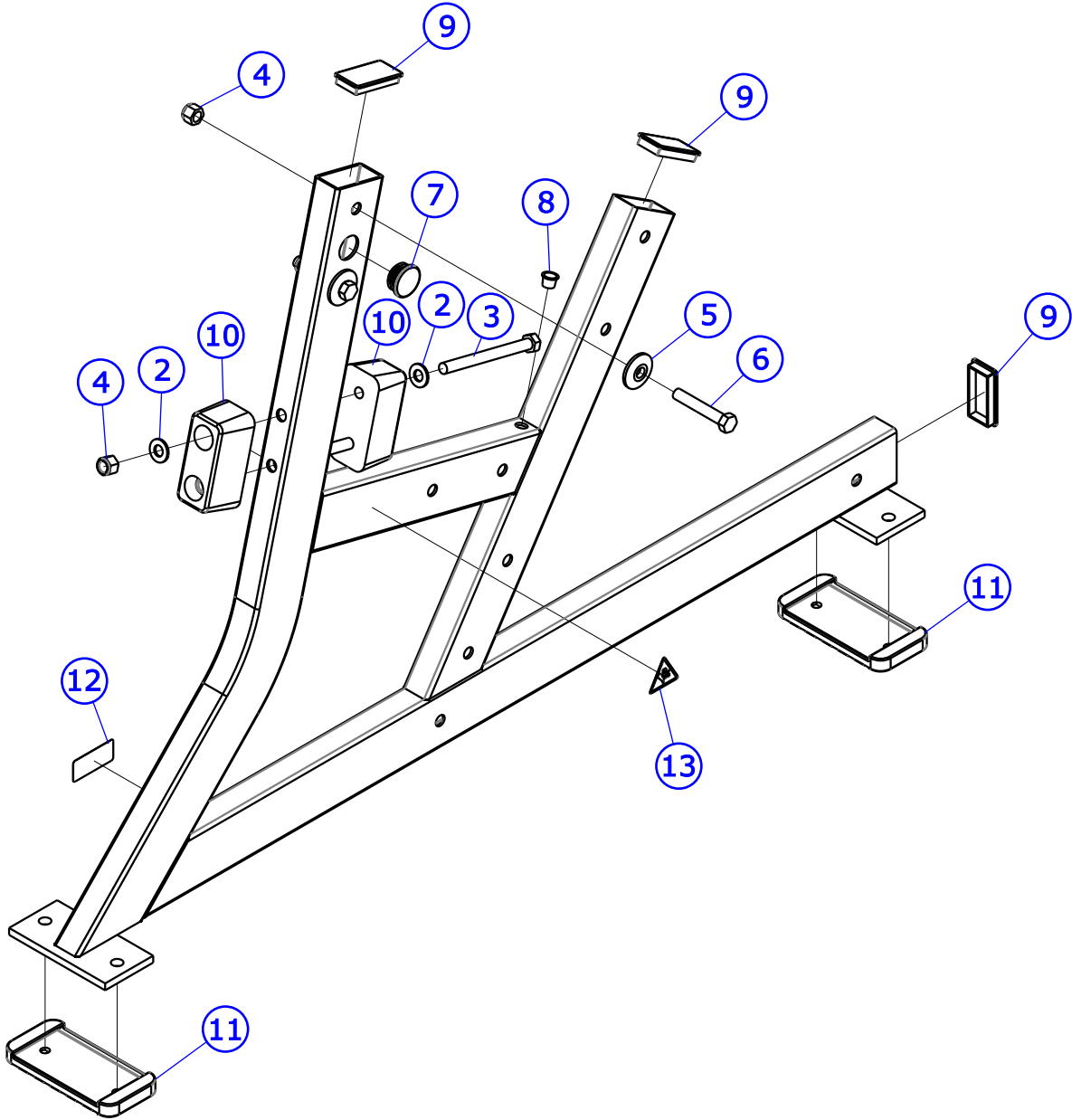
ITEM NO.	QTY.	PART NO.	DESCRIPTION
2	1	H-NONSKID 1X9	PLASTIC NON SKID STRIP 1 X 9

BASE FRAME ASSEMBLY



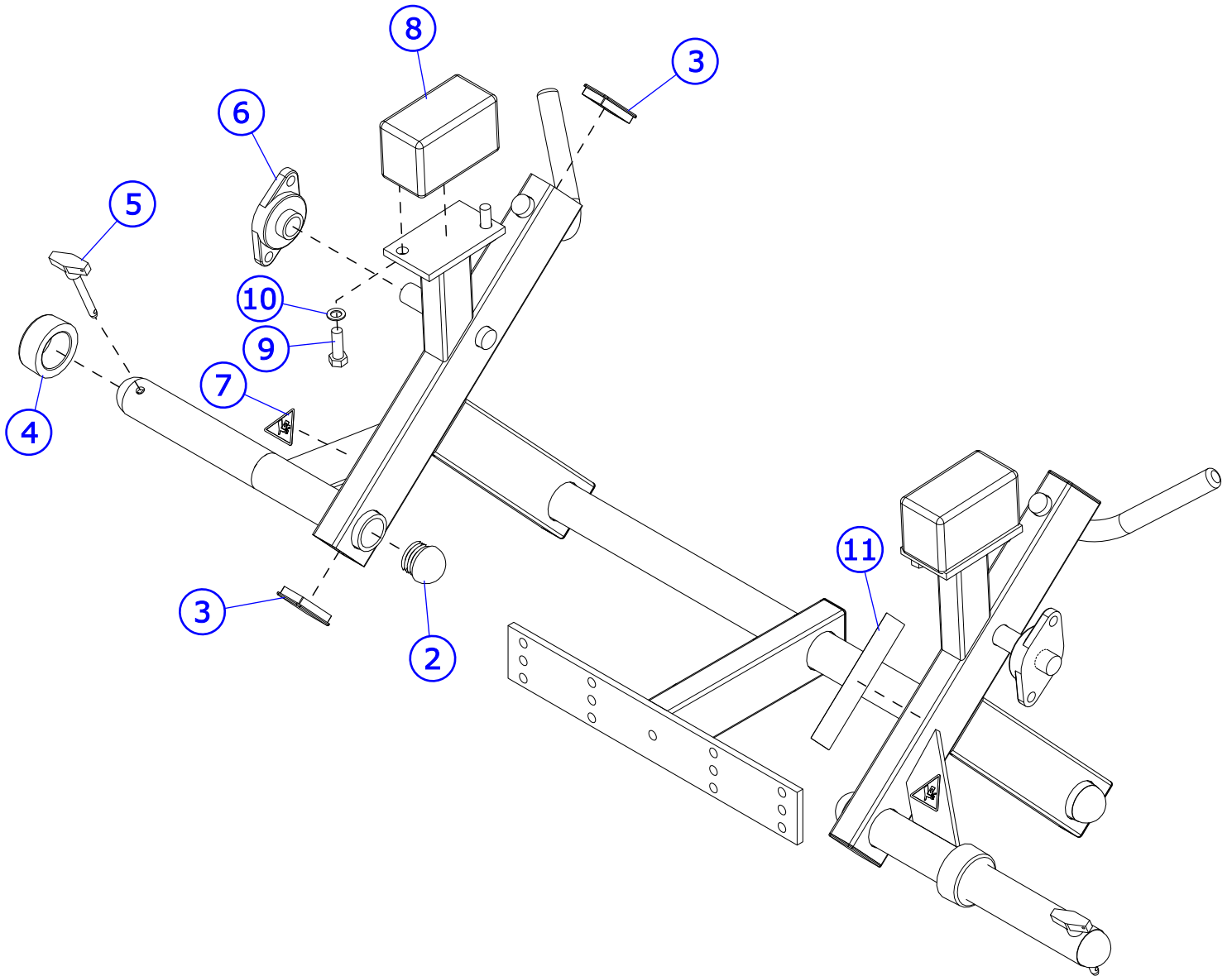
ITEM NO.	QTY.	PART NO.	DESCRIPTION
2	2	H-NONSKID 3X9	PLASTIC NON SKID STRIP 3 X 9
3	1	RC1530-1Q1	CAP:1-1/2 X 3 RECTANGLE PLUG
4	1	H-HPLUG(REG)	HOLE PLUG

LEFT SIDE FRAME ASSEMBLY



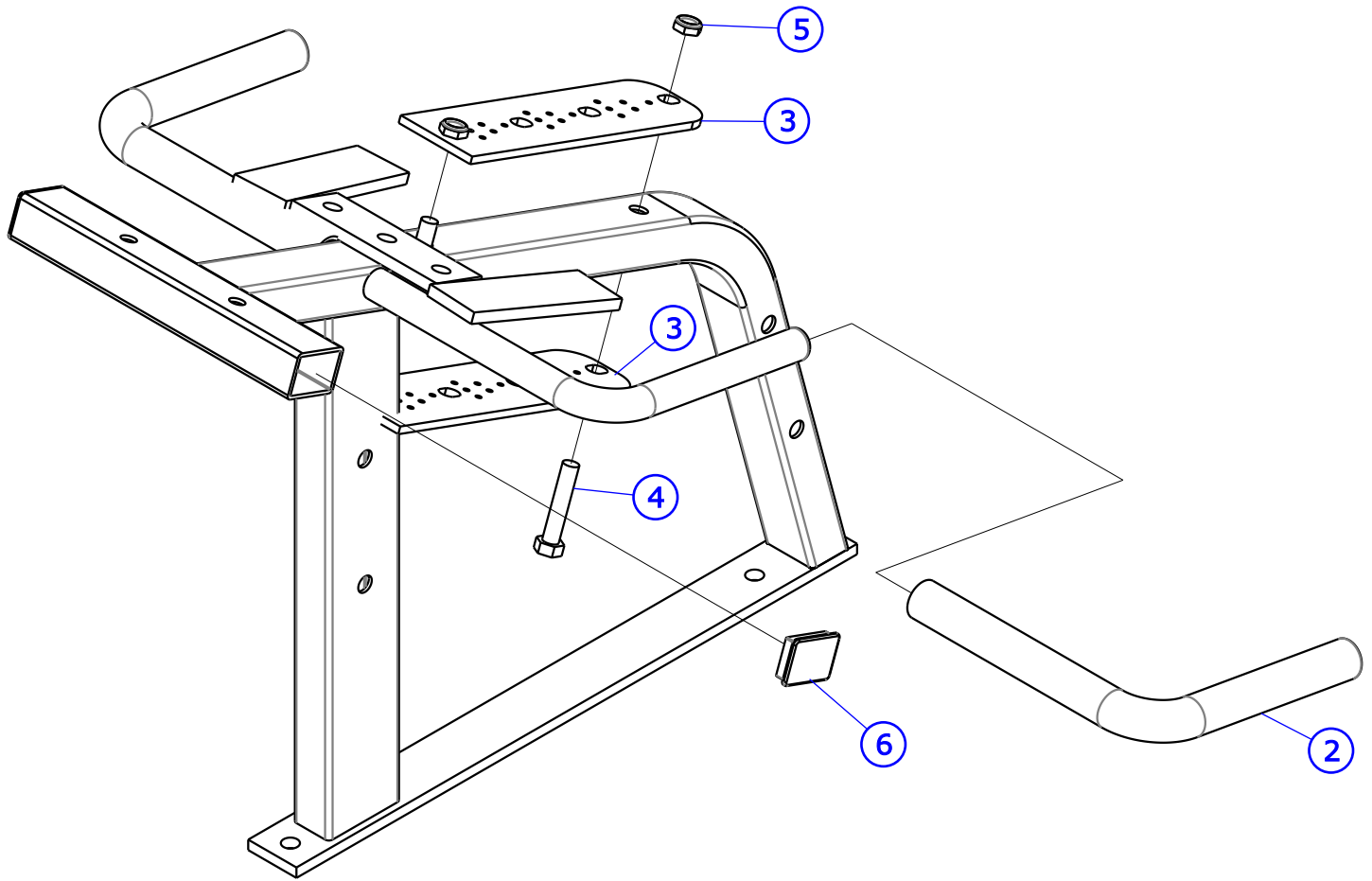
ITEM NO.	QTY.	PART NO.	DESCRIPTION
2	4	WASH.5SAE	1/2" SAE FLAT WASHER
3	2	HHB.5X5.5	1/2 X 5 1/2 BOLT
4	4	NUT.5LOCK	1/2 DIA THICK LOCK NUT
5	2	H-BACK-WASH	BACKING WASHER
6	2	HHB.5X3	1/2 X 3 BOLT
7	1	3119306	CAP, END 1-1/2 DIA, 8-12GA
8	1	H-HPLUG(REG)	HOLE PLUG
9	3	RC1530-1Q1	CAP:1-1/2 X 3 RECTANGLE PLUG
10	2	H-BUMP-MED	MM2 MEDIUM
11	2	MM-9	3 X 6 FLANGE RUBBER SLIPPER
12	1	7571301	SERIAL NUMBER
13	1	8039501	LABEL, WARNING, TRIANGLE

MOVEMENT ARM ASSEMBLY



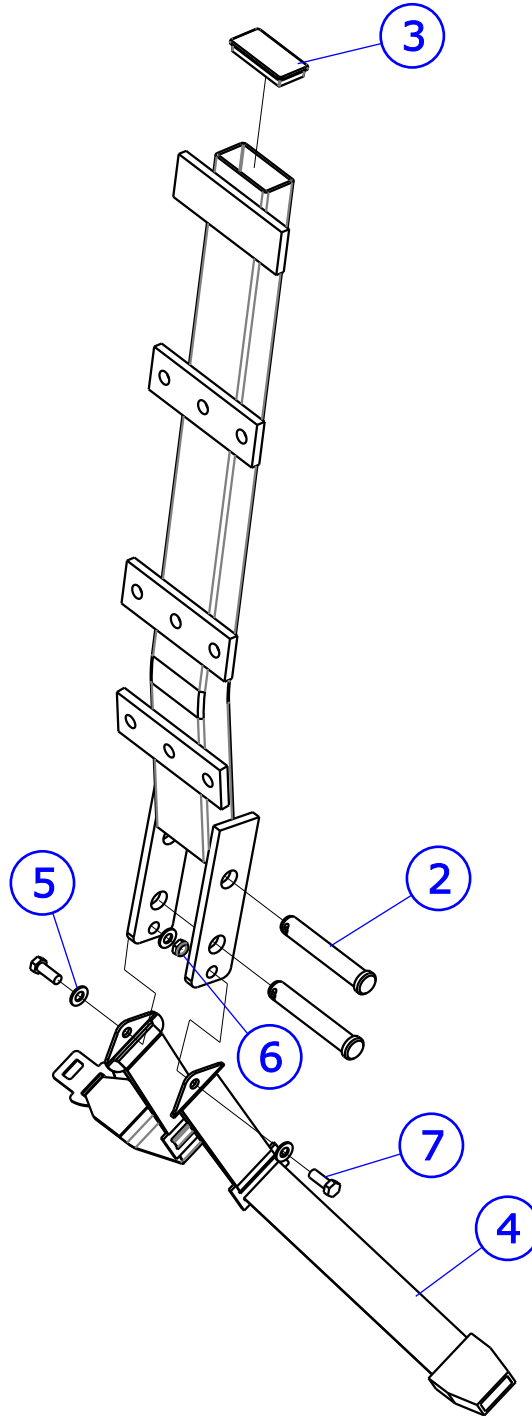
ITEM NO.	QTY.	PART NO.	DESCRIPTION
2	6	RUBCAP1-2	RUBBER CAP #1
3	7	RC1530-1Q1	CAP:1-1/2 X 3 RECTANGLE PLUG
4	2	1000146-0001	BUMPER, WEIGHT HORN, FLAT -30MM
5	2	SELECTOR PIN-3	SELECTOR PIN 3 IN.
6	2	H-BEAR-SML	SMALL BEARING
7	2	8039501	LABEL, WARNING, TRIANGLE, 10-0099-067, BNR
8	2	7802201	COUNTER WEIGHT, MTLE
9	4	H-BOLT	BOLT, HEX HEAD 1/2 X 1-1/2
10	4	WASH.5STAR	1/2" INTERNAL LOCK WASHER
11	1	8773701	LABEL, ASTM PL VERT

SEAT FRAME ASSEMBLY



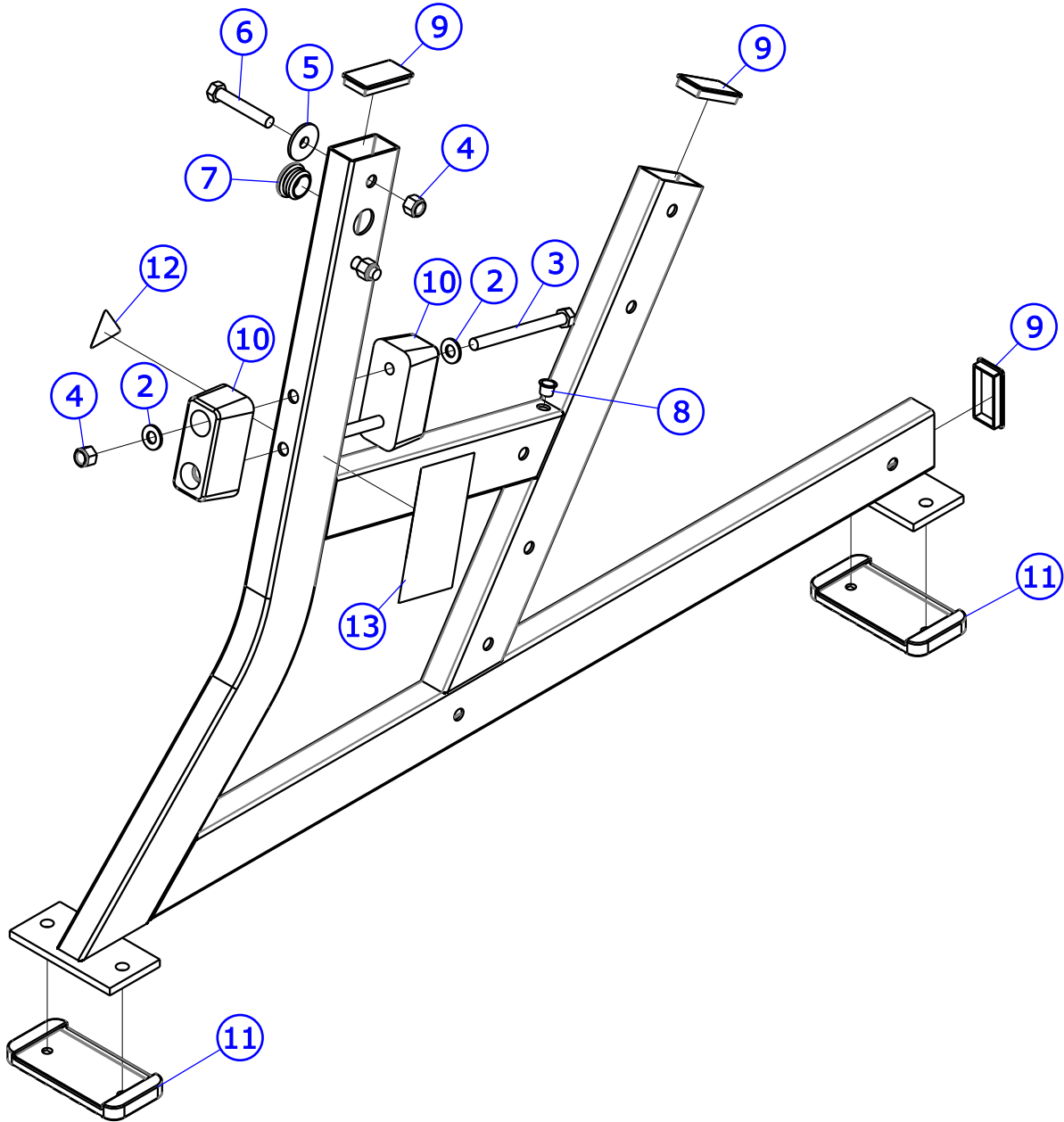
ITEM NO.	QTY.	PART NO.	DESCRIPTION
2	2	H-GRIP	HANDLE GRIPS (.938X16)
3	2	H-SEATRCKS-CUT	ORIGINAL SEAT RACK
4	2	HHB.5X2.5	1/2 X 2 1/2 BOLT
5	2	NUT.5JAMLOCK	1/2 THIN LOCK NUT
6	2	RC1520-1Q1	CAP:1-1/2 X 2 RECTANGLE PLUG

ADJ. SEAT BACK ASSEMBLY



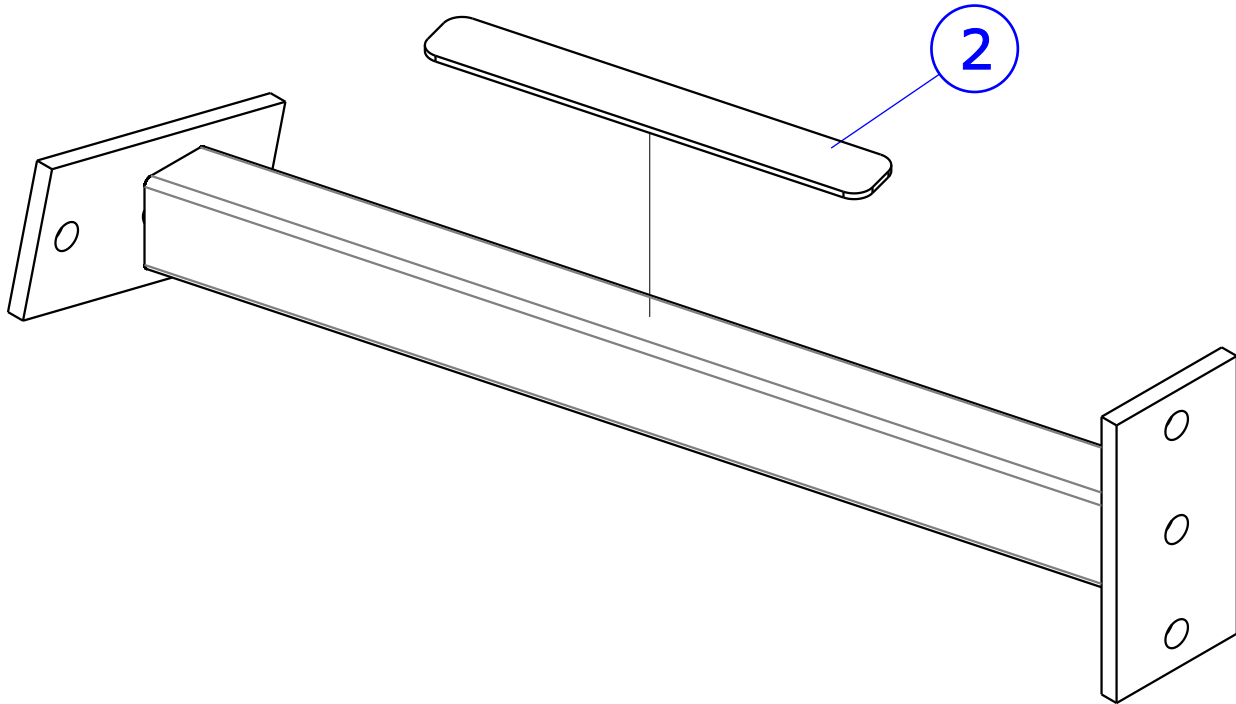
ITEM NO.	QTY.	PART NO.	DESCRIPTION
2	2	STD SEAT PIN	STD SEAT PIN
3	1	RC1530-1Q1	CAP:1-1/2 X 3 RECTANGLE PLUG
4	1	SEATBELT-ASSEM	SEATBELT, COMPLETE
5	4	WASH.375SAE	3/8" SAE FLAT WASHER
6	2	NUT.375JAMLOCK	3/8 THIN LOCK NUT
7	2	HHB.375X1	STEEL BOLT 3/8 X 1

RIGHT SIDE FRAME ASSEMBLY



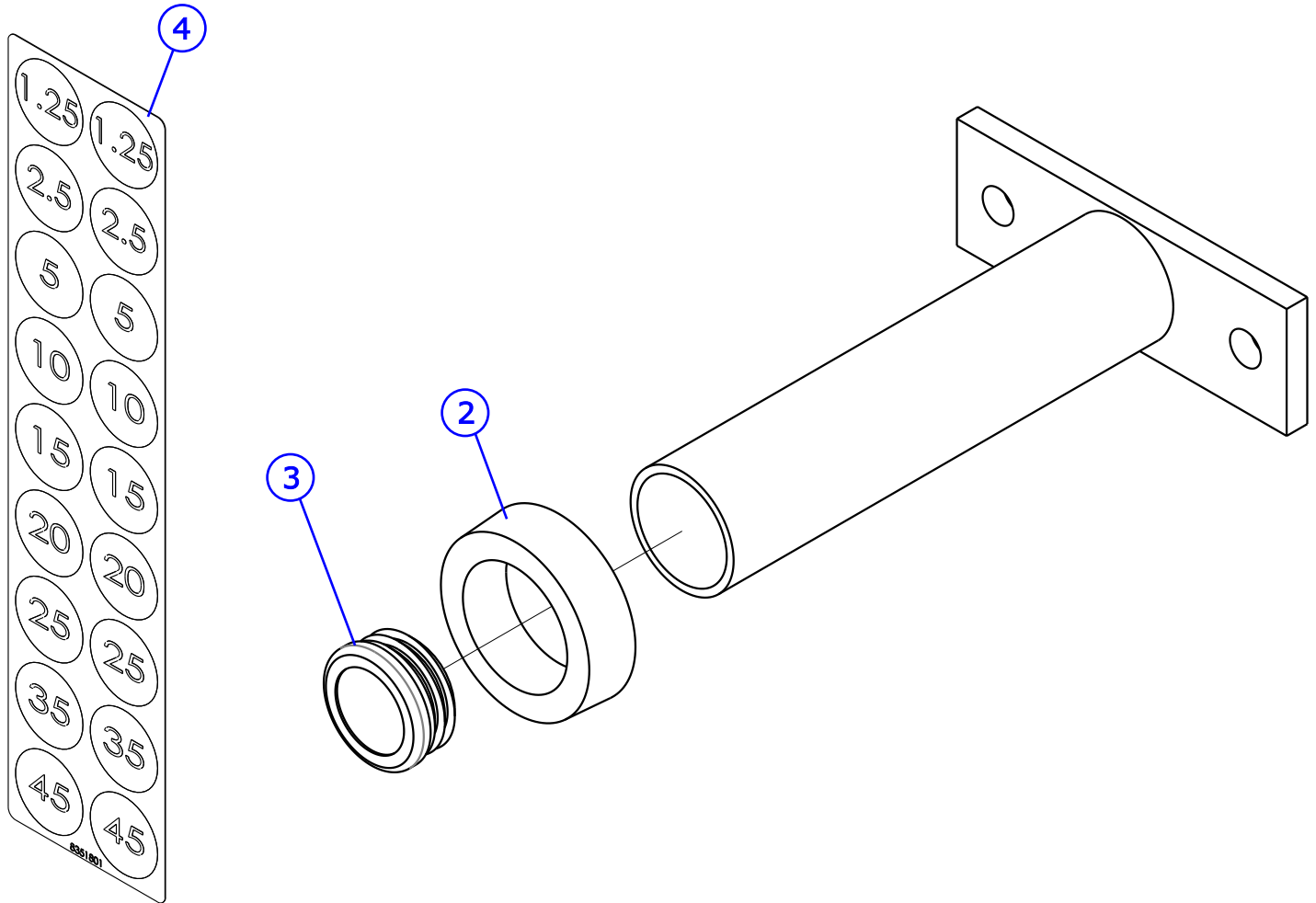
ITEM NO.	QTY.	PART NO.	DESCRIPTION
2	4	WASH.5SAE	1/2" SAE FLAT WASHER
3	2	HHB.5X5.5	1/2 X 5 1/2 BOLT
4	4	NUT.5LOCK	1/2 DIA THICK LOCK NUT
5	2	H-BACK-WASH	BACKING WASHER
6	2	HHB.5X3	1/2 X 3 BOLT
7	1	3119306	CAP, END 1-1/2 DIA, 8-12GA
8	1	H-HPLUG(REG)	HOLE PLUG
9	3	RC1530-1Q1	CAP:1-1/2 X 3 RECTANGLE PLUG
10	2	H-BUMP-MED	MM2 MEDIUM
11	2	MM-9	3 X 6 FLANGE RUBBER SLIPPER
12	1	8039501	LABEL, WARNING, TRIANGLE
13	1	ID-PLLE	PRODUCT PLACARD, PLE

RIGHT TOP CROSS MEMBER ASSEMBLY



ITEM NO.	QTY.	PART NO.	DESCRIPTION
2	1	H-NONSKID 1X9	PLASTIC NON SKID STRIP 1 X 9

WEIGHT HORN ASSEMBLY



ITEM NO.	QTY.	PART NO.	DESCRIPTION
2	1	H-RUBRNG	MM5 RING
3	1	H-RUBCAP2	PLUG, HAMMER WEIGHT HORN
LABEL NOT INCLUDED IN ASSEMBLY			
4	-	8351801	LABEL, WEIGHT HORN, SHEET