

ELEVATION™ SERIES FLEXSTRIDER® VARIABLE-STRIDE TRAINER

BXF, PFE, PXF, FSP, FSS

PARTS MANUAL



Table of Contents

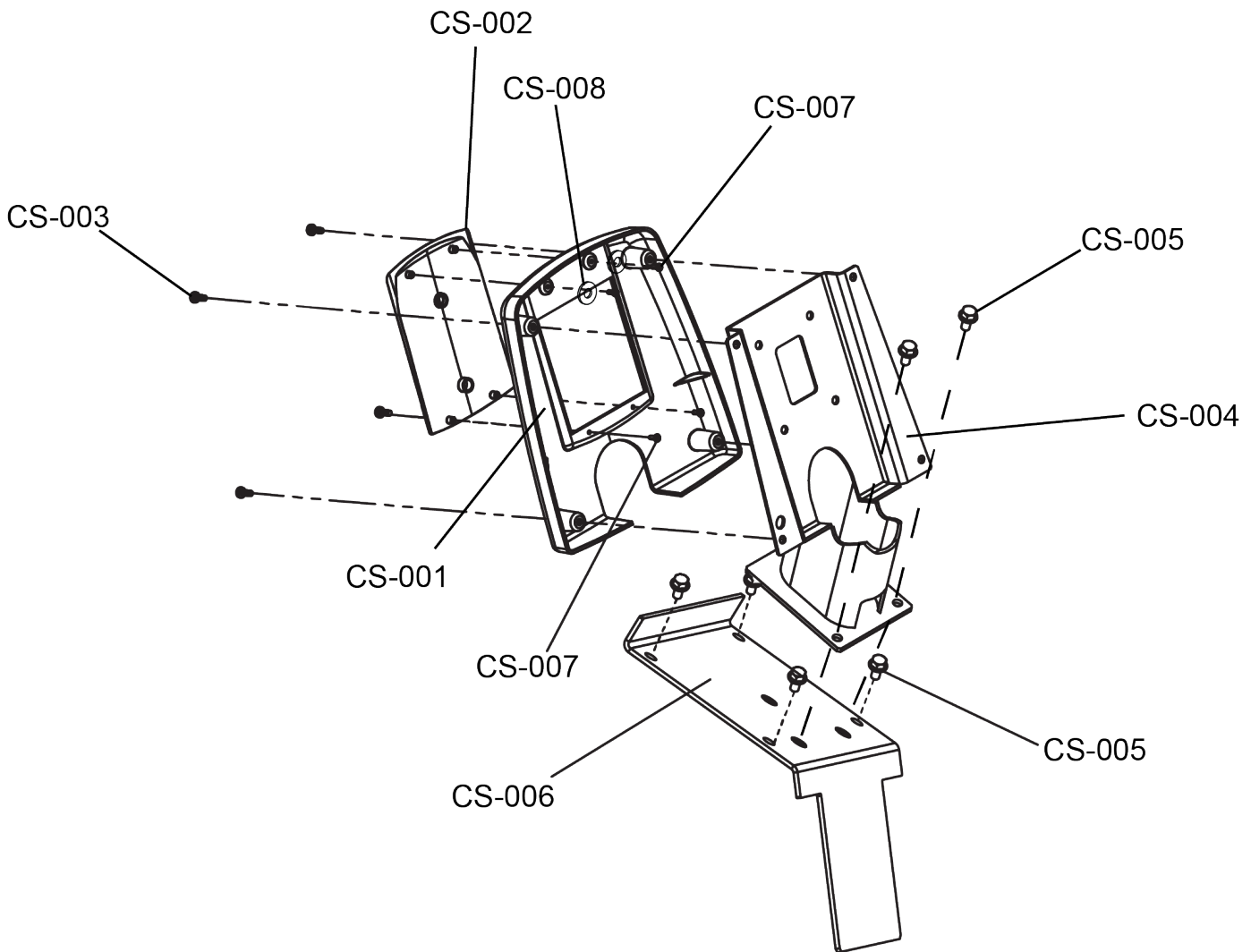
Miscellaneous Part Numbers	1
Console Support	2
Handlebars and Cupholders	3
Frame System	4
Shrouds	4
Monocolumn, Handrail, and PCB	5
Stabilizers	7
Deadshaft and Rocker Arms	9
Drive System	11
Linkage System	12
Pedal Levers	12
Timing System	14
Front Rocker Assembly	14
Timing Carriage	16
Stride Assembly	19
Electrical	20
Wiring Diagrams	20

Miscellaneous Part Numbers

Item	Alpha Code*	Part Number	Description (Quantity)
MISC-001	FSS, PFE, FSP, PXF, BXF	0017-00003-1091	24V Power Supply
MISC-002	FSS, PFE, FSP, PXF, BXF	0017-00003-0704	Line Cord Dom 10A, 125V
MISC-003	FSS, PFE, FSP, PXF, BXF	0017-00003-0691	Line Cord Cont 10A, 250V
MISC-004	FSS, PFE, FSP, PXF, BXF	0017-00003-0889	Line Cord U.K. 10A
MISC-005	FSS, PFE, FSP, PXF, BXF	0017-00003-0918	Line Cord Australia
MISC-006	FSS, PFE, FSP, PXF, BXF	0017-00003-1012	Line Cord China 10A, 250V
MISC-007	FSS, PFE, FSP, PXF, BXF	0017-00008-0204	Arctic Silver Touch Up Paint: Spray Can
MISC-008	FSS, PFE, FSP, PXF, BXF	0017-00008-0205	Arctic Silver Touch Up Paint: .5 Oz Bottle w/ Applicator
MISC-009	FSS, PFE, FSP, PXF, BXF	0017-00008-0223	Pearl White BASE Touch Up Paint: Spray Can
MISC-010	FSS, PFE, FSP, PXF, BXF	0017-00008-0225	Pearl White BASE Touch Up Paint: .5 Oz Bottle w/ Applicator
MISC-011	FSS, PFE, FSP, PXF, BXF	0017-00008-0224	Pearl White TOP COAT Touch Up Paint: Spray Can
MISC-012	FSS, PFE, FSP, PXF, BXF	0017-00008-0226	Pearl White TOP COAT Touch Up Paint: .5 Oz Bottle w/ Applicator
MISC-013	FSS, PFE, FSP, PXF, BXF	0017-00008-0227	Titanium Touch Up Paint: Spray Can
MISC-014	FSS, PFE, FSP, PXF, BXF	0017-00008-0228	Titanium Touch Up Paint: .5 Oz Bottle w/ Applicator
MISC-015	FSS, PFE, FSP, PXF, BXF	0017-00008-0229	Metallic Black Touch Up Paint: Spray Can
MISC-016	FSS, PFE, FSP, PXF, BXF	0017-00008-0230	Metallic Black Touch Up Paint: .5 Oz Bottle w/ Applicator
MISC-017	FSS, PFE, FSP, PXF, BXF	0017-00008-0231	Charcoal Gray Touch Up Paint: Spray Can
MISC-018	FSS, PFE, FSP, PXF, BXF	0017-00008-0232	Charcoal Gray Touch Up Paint: .5 Oz Bottle w/ Applicator

* Refer to first three letters of the product's Serial Number for the Alpha code

Console Support

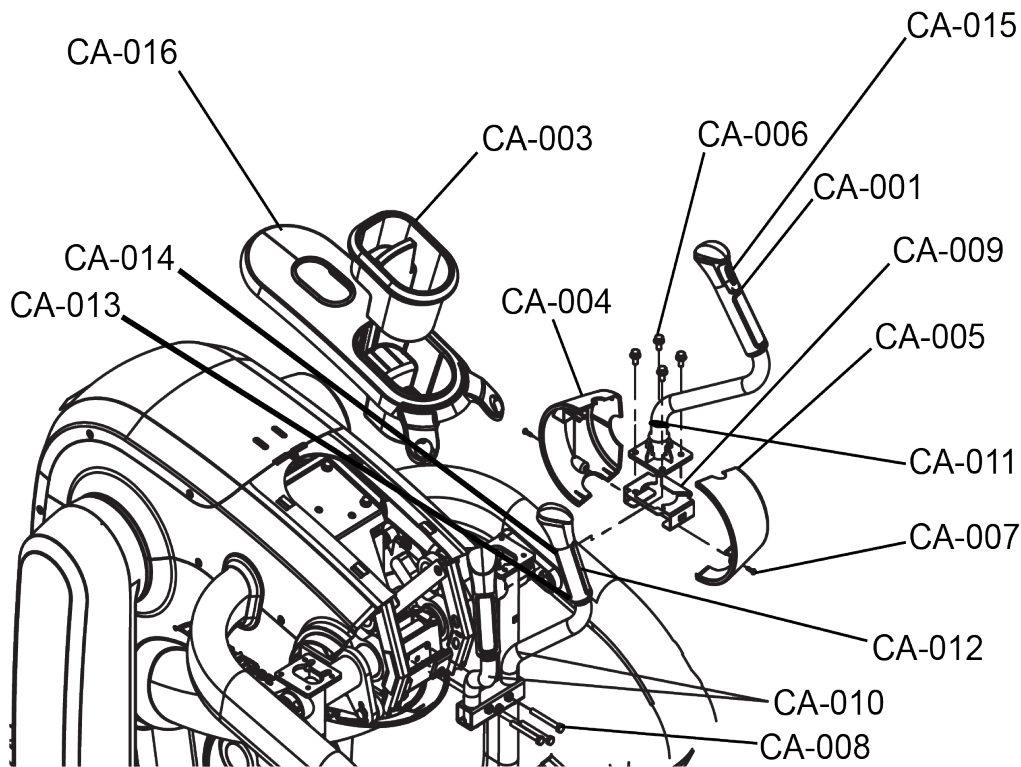


Note 1: For Console Parts information refer to the Parts Manual of the installed console.

Parts List

Item	Alpha Code	Part Number	Description (Quantity)
CS-001	FSS, PFE, BXF, FSP, PXF	0K97-01167-2400	Console Shroud
CS-002	FSS, PFE, BXF, FSP, PXF	AK92-00059-2400	Middle Console Shroud
CS-003	FSS, PFE, BXF, FSP, PXF	0017-00101-1972	Screw; Console Shroud (M5 X 14 Phillips Pan) (4)
CS-004	FSS, PFE, BXF, FSP, PXF	AK97-00032-0100	Weldment Console Mount; Arctic Silver
	FSS, PFE, BXF, FSP, PXF	AK97-00032-2100	Weldment Console Mount; Platinum White
	FSS, PFE, BXF, FSP, PXF	AK97-00032-2200	Weldment Console Mount; Titanium
	FSS, PFE, BXF, FSP, PXF	AK97-00032-2300	Weldment Console Mount; Metallic Black
CS-005	FSS, PFE, BXF, FSP, PXF	0017-00101-2129	Weldment Console Mounting Screws (M8 X 16 Hex) (2)
	FSS, PFE, BXF, FSP, PXF		Mounting Plate Screws (M8 X 16 Hex) (4)
CS-006	FSS, PFE, BXF, FSP, PXF	AK97-00038-0000	Weldment Console Mounting Plate
CS-007	FSS, PFE, BXF, FSP, PXF	0017-00101-1650	Screw; Middle Console Shroud (6-19 X 6 Phillips Pan) (4)
CS-008	FSS, PFE, BXF, FSP, PXF	0017-00104-0494	Washer; Middle Console Shroud (2)

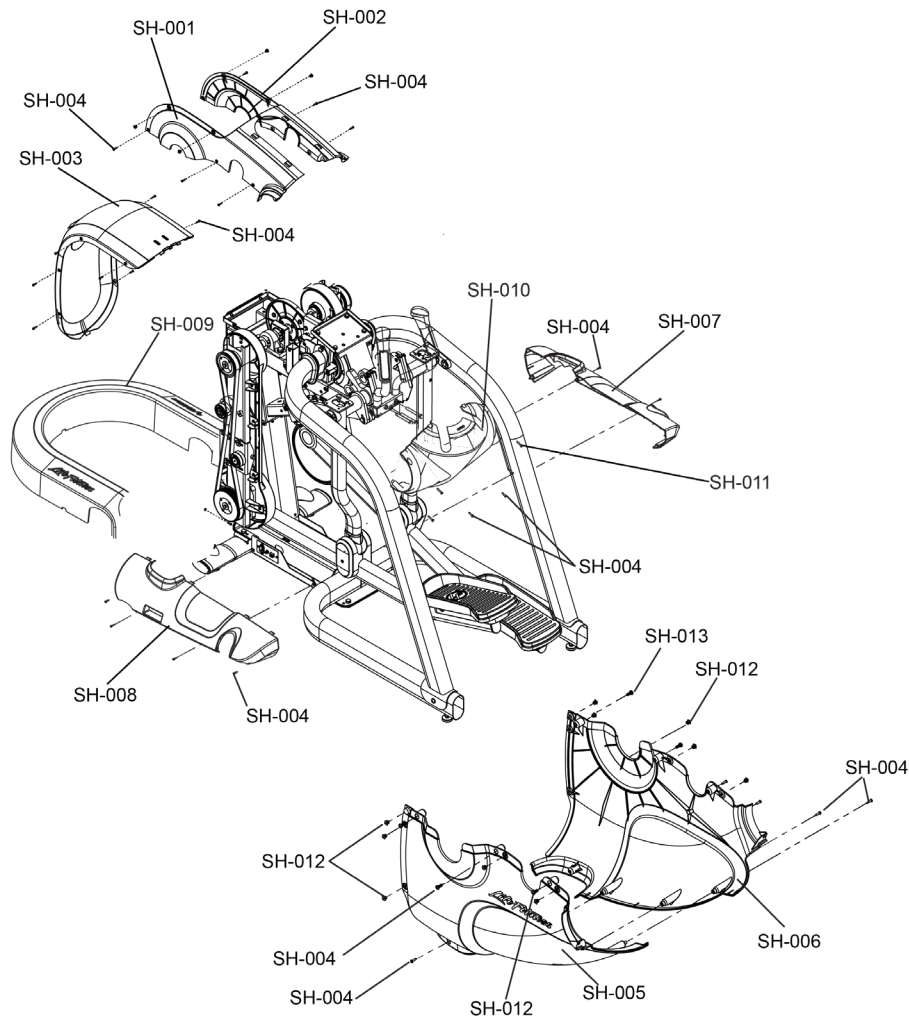
Handlebars and Cupholders



Item	Alpha Code	Part Number	Description (Quantity)
CA-001	BXF, FSS, FSP, PFE, PXF	AK97-00011-2400	User Arm Assy; Right
CA-002	BXF, FSS, FSP, PFE, PXF	AK97-00009-2400	User Arm Assy; Left (Not Shown)
CA-003	BXF, FSS, FSP, PFE, PXF	0K97-01132-2400	Cupholder
CA-004	BXF, FSS, FSP, PFE, PXF	0K97-01084-2400	User Arm Cover (Left Front/Right Back) (2)
CA-005	BXF, FSS, FSP, PFE, PXF	0K97-01083-2400	User Arm Cover (Left Back/Right Front) (2)
CA-006	BXF, FSS, FSP, PFE, PXF	0017-00101-2129	Bolt; User Arm Mount (M8 X 16 Hex) (8)
CA-007	BXF, FSS, FSP, PFE, PXF	0017-00101-1796	Screws (M4.2 X 19 Phillips Pan) (4)
CA-008	BXF, FSS, FSP, PFE, PXF	0017-00101-1905	Bolt; Bullhorn Mount (M8 X 70 Hex) (3)
CA-009	BXF, FSS, FSP, PFE, PXF	0K97-01205-0000	Deadshaft Cover Clip (2)
CA-010	BXF, FSS, FSP, PFE, PXF	AK97-00026-2400	Bullhorn Assy Right and Left
CA-011	BXF, FSS, FSP, PFE, PXF	0K62-01199-0703	Gasket; User Arm (2)
CA-012	BXF, FSS, FSP, PFE, PXF	AK69-00139-2404	Electrode; Bullhorn/User Arm: Top (4)
CA-013	BXF, FSS, FSP, PFE, PXF	AK69-00140-2404	Electrode; Bullhorn/User Arm: Bottom (4)
CA-014	BXF, FSS, FSP, PFE, PXF	0017-00101-2054	Electrode Screw (6-19 X 16 Phillips Pan) (8)
CA-015	BXF, FSS, FSP, PFE, PXF	AK97-00062-2400	User Arm Level Button
CA-016	BXF, FSS, FSP, PFE, PXF	0K97-01086-0700	Cover; Bullhorn/Cupholder

Frame System

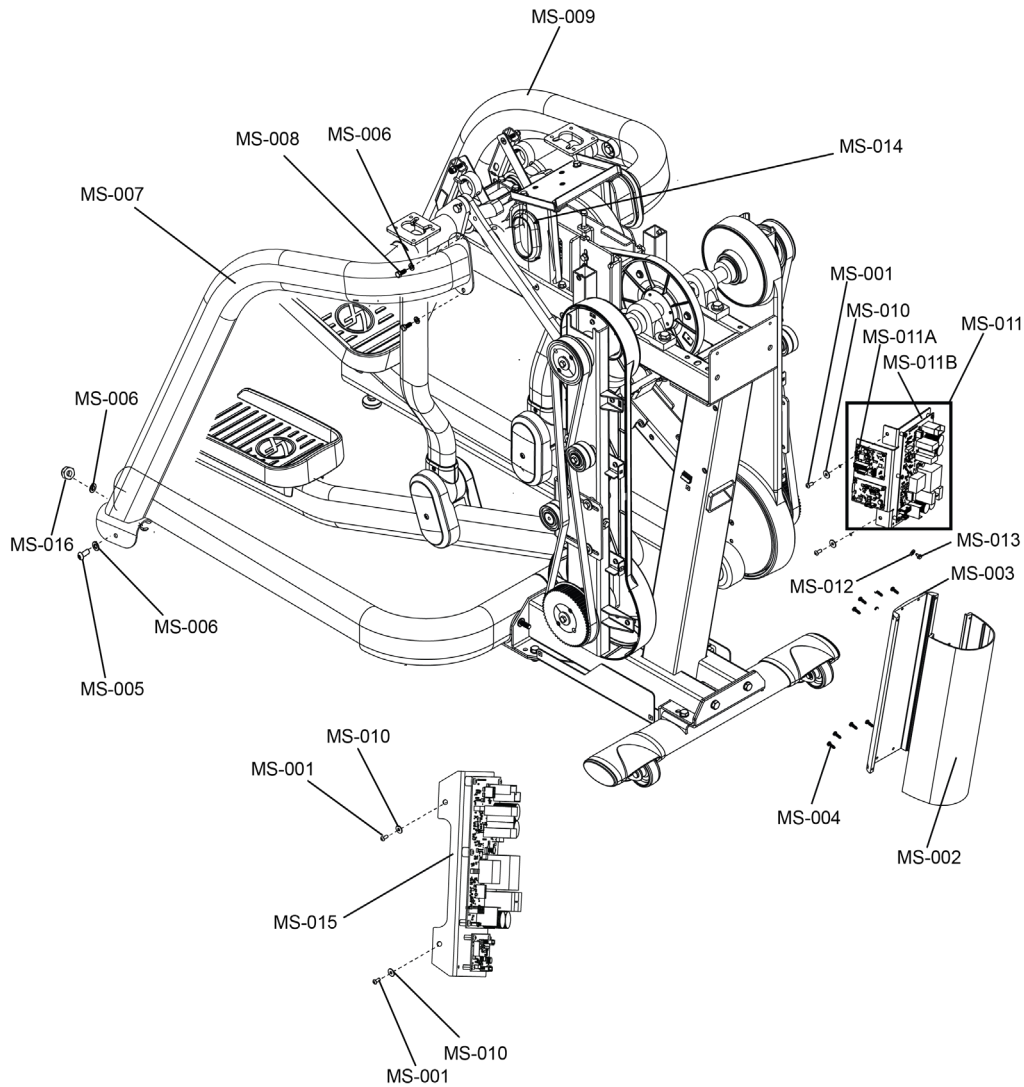
Shrouds



Parts List

Item	Alpha Code	Part Number	Description (Quantity)
SH-001	BXF, FSS, FSP, PFE, PXF	0K97-01079-2400	Left Side Shroud
SH-002	BXF, FSS, FSP, PFE, PXF	0K97-01081-2400	Right Side Shroud
SH-003	BXF, FSS, FSP, PFE, PXF	AK97-00094-2400	Top/Front Shroud
SH-004	BXF, FSS, FSP, PFE, PXF	0017-00101-1796	Shroud Screws (M4.2 X 19 Phillips Pan) (19)
SH-005	BXF, FSS, FSP, PFE, PXF	AK97-00092-2400	Left Bottom Shroud
SH-006	BXF, FSS, FSP, PFE, PXF	AK97-00093-2400	Right Bottom Shroud
SH-007	BXF, FSS, FSP, PFE, PXF	0K97-01088-2400	Base Right Shroud
SH-008	BXF, FSS, FSP, PFE, PXF	0K97-01087-2400	Base Left Shroud
SH-009	BXF, FSS, FSP, PFE, PXF	0K97-01204-2400	Front Cover ROM Zone
SH-010	BXF, FSS, FSP, PFE, PXF	0K97-01082-2400	User Face Shroud
SH-011	BXF, FSS, FSP, PFE, PXF	0017-00101-2104	User Face Shroud Screw (M4.2 X 25 Phillips Pan) (4)
SH-012	BXF, FSS, FSP, PFE, PXF	0017-00042-1147	Grommet: Screw, 8 or 10 (10)
SH-013	BXF, FSS, FSP, PFE, PXF	0017-00101-2138	Screw Bottom Shroud (M6 X 16 Phillips Pan) (6)

Monocolumn, Handrail, and PCB



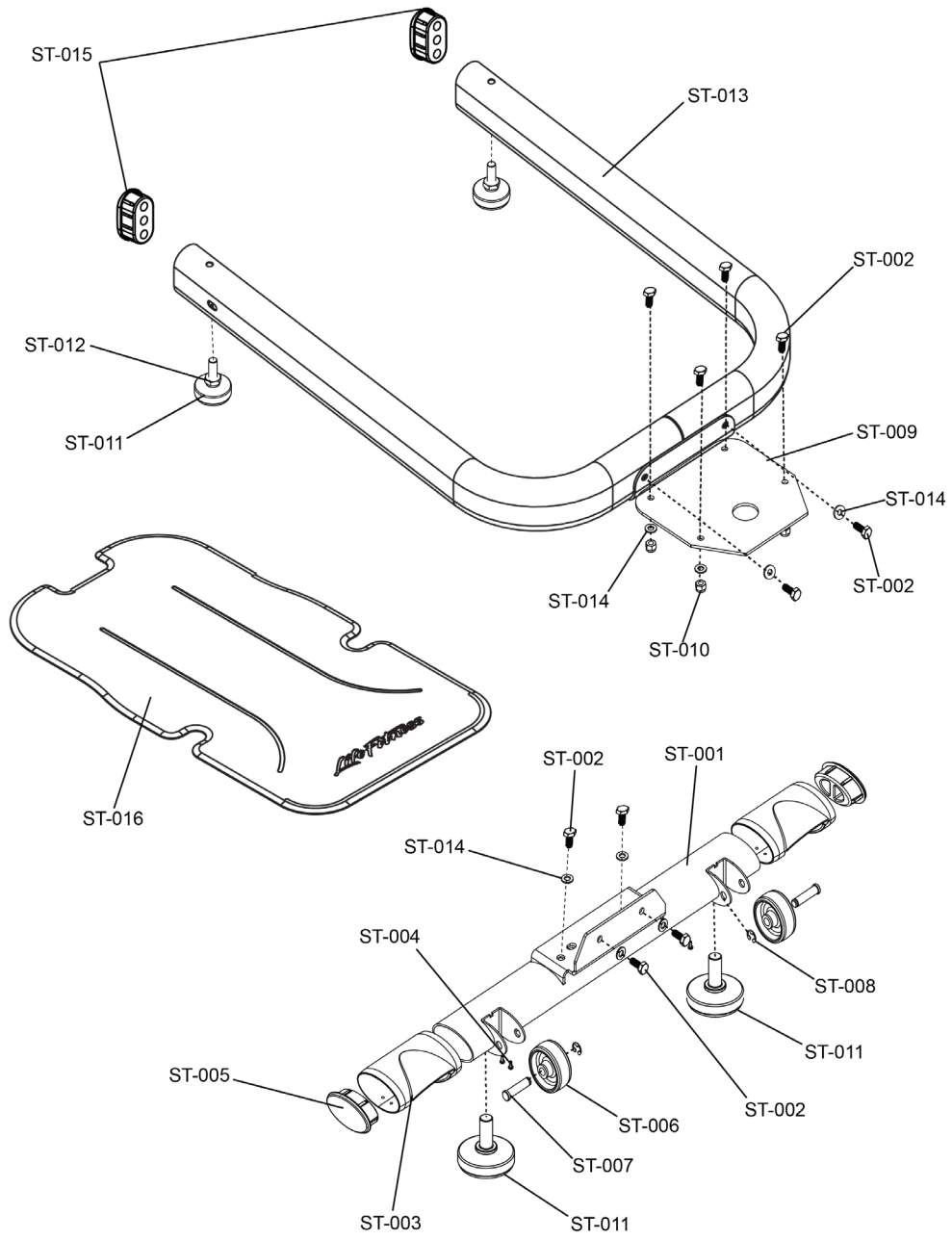
Parts List

Item	Alpha Code	Part Number	Description (Quantity)
MS-001	BXF, FSS, FSP, PFE, PXF	0017-00101-1953	Screw; PCB Bracket Assy (M6 X 14 Hex Button) (2)
MS-002	BXF, FSS, FSP, PFE, PXF	0K97-01145-0100	Monocolumn Cover Front; Arctic Silver
	BXF, FSS, FSP, PFE, PXF	0K97-01145-2100	Monocolumn Cover Front; Platinum White
	BXF, FSS, FSP, PFE, PXF	0K97-01145-2200	Monocolumn Cover Front; Titanium
	BXF, FSS, FSP, PFE, PXF	0K97-01145-2300	Monocolumn Cover Front; Metallic Black
MS-003	BXF, FSS, FSP, PFE, PXF	0K97-01146-0100	Monocolumn Cover Back; Arctic Silver
	BXF, FSS, FSP, PFE, PXF	0K97-01146-2100	Monocolumn Cover Back; Platinum White
	BXF, FSS, FSP, PFE, PXF	0K97-01146-2200	Monocolumn Cover Back; Titanium
	BXF, FSS, FSP, PFE, PXF	0K97-01146-2300	Monocolumn Cover Back; Metallic Black
MS-004	BXF, FSS, FSP, PFE, PXF	0017-00101-2132	Screws; Monocolumn Cover (M5 X 16) (8)
MS-005	BXF, FSS, FSP, PFE, PXF	0017-00101-2122	Screw; Handrail Bottom (M10 X 25) (2)
MS-006	BXF, FSS, FSP, PFE, PXF	0017-00104-0470	Washers; Handrail (8)

Parts List - Continued

Item	Alpha Code	Part Number	Description (Quantity)
MS-007	BXF, FSS, FSP, PFE, PXF	AK97-00059-0100	Right Hand Rail; Arctic Silver
	BXF, FSS, FSP, PFE, PXF	AK97-00059-2100	Right Hand Rail; Platinum White
	BXF, FSS, FSP, PFE, PXF	AK97-00059-2200	Right Hand Rail; Titanium
	BXF, FSS, FSP, PFE, PXF	AK97-00059-2300	Right Hand Rail; Metallic Black
MS-008	BXF, FSS, FSP, PFE, PXF	0017-00101-1965	Screw; Hand Rail Top (M10 X 25 Hex) (4)
MS-009	BXF, FSS, FSP, PFE, PXF	AK97-00058-0100	Left Hand Rail; Arctic Silver
	BXF, FSS, FSP, PFE, PXF	AK97-00058-2100	Left Hand Rail; Platinum White
	BXF, FSS, FSP, PFE, PXF	AK97-00058-2200	Left Hand Rail; Titanium
	BXF, FSS, FSP, PFE, PXF	AK97-00058-2300	Left Hand Rail; Metallic Black
MS-010	BXF, FSS, FSP, PFE, PXF	0017-00104-0468	Washer; PCB Bracket (2)
MS-011	PFE, BXF, PXF	AK97-00100-0000	ASSY: GBC with Power Hub
MS-011A	PFE, BXF, PXF	A084-92512-0000	Power Hub Only
MS-011B	BXF, FSS, FSP, PFE, PXF	A084-92389-0001	Generator Brake Controller Only
MS-012	BXF, FSS, FSP, PFE, PXF	0017-00104-0460	Lock Washer
MS-013	BXF, FSS, FSP, PFE, PXF	0017-00101-0883	Grounding Screw
MS-014	BXF, FSS, FSP, PFE, PXF	0K97-01085-0700	Handrail Gasket (2)
MS-015	FSP, FSS	AK97-00036-0000	Assembly: PWR PCB BRKT
MS-016	BXF, FSS, FSP, PFE, PXF	0017-00103-0334	Nut, Handrail (2)

Stabilizers

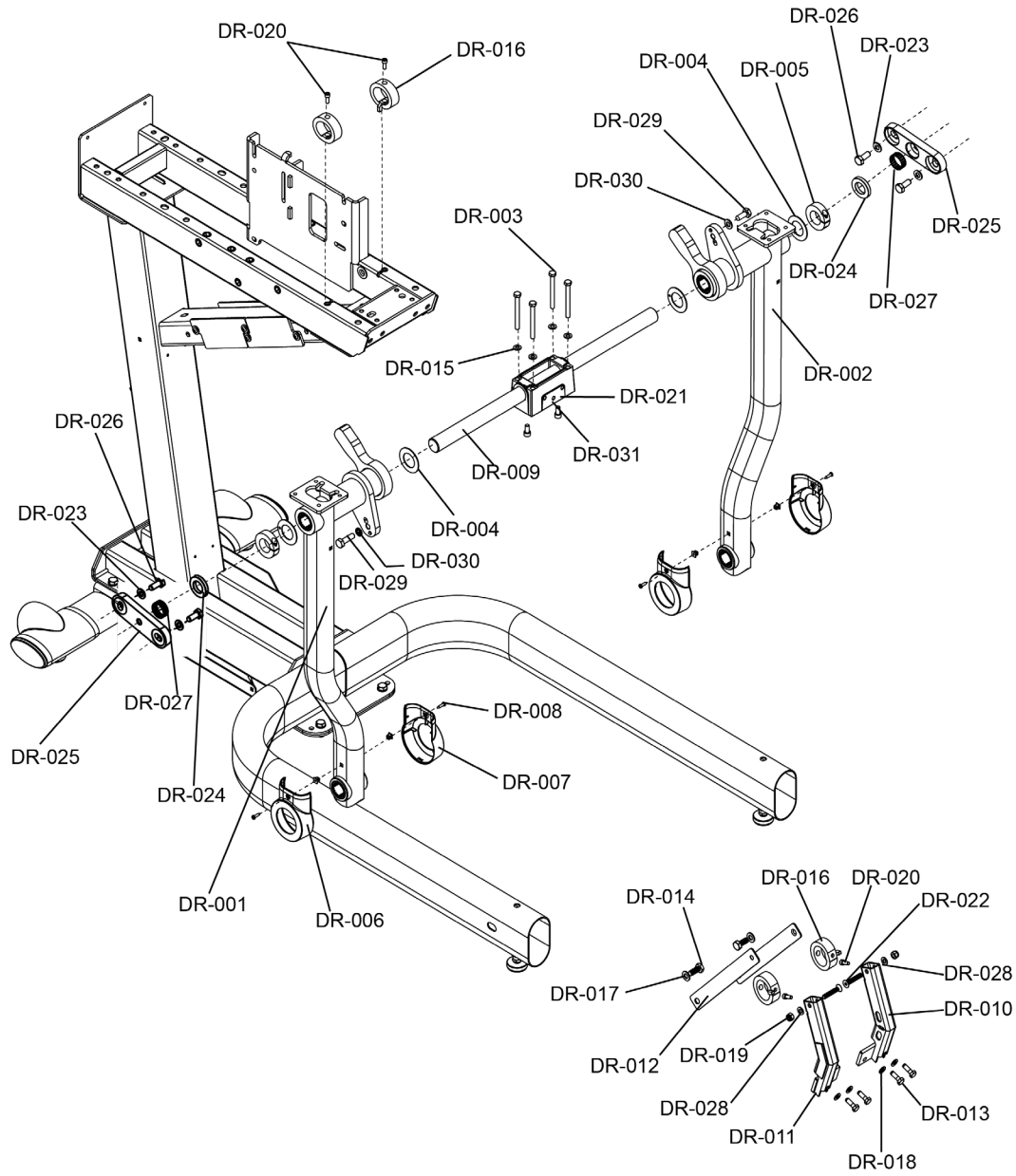


Refer to following page for Parts List.

Parts List

Item	Alpha Code	Part Number	Description (Quantity)
ST-001	BXF, FSS, FSP, PFE, PXF	AK97-00004-2400	Weldment Front Stabilizer
ST-002	BXF, FSS, FSP, PFE, PXF	0017-00101-1965	Screws; Front Stabilizer (M10 X 25) (4)
			Screws; Rear Stabilizer (M10 X 25) (6)
ST-003	BXF, FSS, FSP, PFE, PXF	0K97-01122-0700	Wheel Shroud (2)
ST-004	BXF, FSS, FSP, PFE, PXF	0017-00101-1968	Screws; Wheel Shroud (M4 X 10 Phillips Pan) (4)
ST-005	BXF, FSS, FSP, PFE, PXF	0K66-01042-0700	End Cap; Front Stabilizer (2)
ST-006	BXF, FSS, FSP, PFE, PXF	0K60-01020-0000	Wheel (2)
ST-007	BXF, FSS, FSP, PFE, PXF	0017-00009-1339	Wheel Axle (2)
ST-008	BXF, FSS, FSP, PFE, PXF	0017-00100-0050	E-Ring (2)
ST-009	BXF, FSS, FSP, PFE, PXF	0K97-01001-0000	Frame Plate; Rear Stabilizer
ST-010	BXF, FSS, FSP, PFE, PXF	0017-00103-0334	Nut; Rear Stabilizer (4)
ST-011	BXF, FSP, PXF	AK62-00124-0000	Leveler (4)
ST-012	BXF, FSS, FSP, PFE, PXF	0017-00103-0330	Leveler Jam Nut (2)
ST-013	BXF, FSS, FSP, PFE, PXF	AK97-00005-0100	Rear Stabilizer; Arctic Silver
	BXF, FSS, FSP, PFE, PXF	AK97-00005-2100	Rear Stabilizer; Platinum White
	BXF, FSS, FSP, PFE, PXF	AK97-00005-2200	Rear Stabilizer; Titanium
	BXF, FSS, FSP, PFE, PXF	AK97-00005-2300	Rear Stabilizer; Metallic Black
ST-014	BXF, FSS, FSP, PFE, PXF	0017-00104-0470	Washers; Front Stabilizer (4)
	BXF, FSS, FSP, PFE, PXF		Washers; Rear Stabilizer (6)
ST-015	BXF, FSS, FSP, PFE, PXF	1002166-0700	End Cap Rear Stabilizers (2)
ST-016	BXF, FSS, FSP, PFE, PXF	0K97-01069-0700	Floor Mat

Deadshaft and Rocker Arms

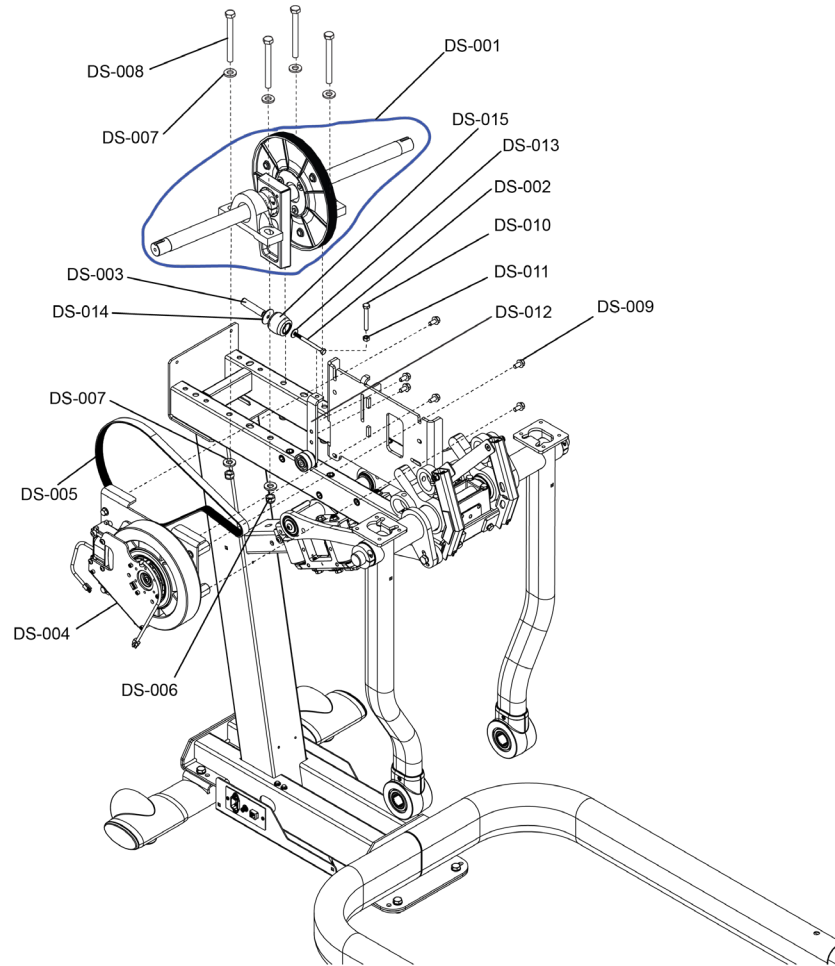


Refer to following page for Parts List.

Parts List

Item	Alpha Code	Part Number	Description (Quantity)
DR-001	BXF, FSS, FSP, PFE, PXF	AK97-00013-2600	Left Rocker Arm Assy
DR-002	BXF, FSS, FSP, PFE, PXF	AK97-00015-2600	Right Rocker Arm Assy
DR-003	BXF, FSS, FSP, PFE, PXF	0017-00101-1944	Screw; Deadshaft Mounting Block (M8 X 80 Hex) (4)
DR-004	BXF, FSS, FSP, PFE, PXF	0K97-01187-0000	Thrust Washer with Adhesive (4)
DR-005	BXF, FSS, FSP, PFE, PXF	0K69-01018-0000	Shaft Collar (2)
DR-006	BXF, FSS, FSP, PFE, PXF	0K97-01138-2400	Cover; Lower Rocker Arm Left (2)
DR-007	BXF, FSS, FSP, PFE, PXF	0K97-01151-2400	Cover; Lower Rocker Arm Right (2)
DR-008	BXF, FSS, FSP, PFE, PXF	0017-00101-1796	Screw; Lower Rocker Arm Cover (4)
DR-009	BXF, FSS, FSP, PFE, PXF	0K97-01033-0000	Deadshaft
DR-010	BXF, FSS, FSP, PFE, PXF	1003519-0001	Weldment: Tecspak Upright; RH; BLK
DR-011	BXF, FSS, FSP, PFE, PXF	1003518-0001	Weldment: Tecspak Upright; LH; BLK
DR-012	BXF, FSS, FSP, PFE, PXF	0K97-01244-0000	Plate: Tension Strap (2)
DR-013	BXF, FSS, FSP, PFE, PXF	0017-00101-1931	Screw; Tecspak Upright to Frame (M8 X 25 Hex) (4)
DR-014	BXF, FSS, FSP, PFE, PXF	0017-00101-1965	Screw; Tension Strap to Frame (M10 X 25 Hex Cap) (2)
DR-015	BXF, FSS, FSP, PFE, PXF	0017-00104-0469	Washers; Deadshaft mounting Block (4)
DR-016	BXF, FSS, FSP, PFE, PXF	0K97-01246-0000	Spring Tecspak (4)
DR-017	BXF, FSS, FSP, PFE, PXF	0017-00104-0470	Washer; Tension Strap to Frame (2)
DR-018	BXF, FSS, FSP, PFE, PXF	0017-00104-0469	Washer; Tecspak Upright to Frame and Tension Strap (4)
DR-019	BXF, FSS, FSP, PFE, PXF	0017-00103-0333	Nut; Tension Strap to Tecspak Upright (2)
DR-020	BXF, FSS, FSP, PFE, PXF	0017-00101-1891	Screw; Spring Tecspak (M6 X 16) (2)
DR-021	BXF, FSS, FSP, PFE, PXF	0K97-01230-0000	Mounting Block; Deadshaft
DR-022	BXF, FSS, FSP, PFE, PXF	0017-00101-2144	Screw; Tensions Strap to Tecspak Upright (M8 X 40) (2)
DR-023	BXF, FSS, FSP, PFE, PXF	0017-00104-0470	Washers; Deadshaft Mount (4)
DR-024	BXF, FSS, FSP, PFE, PXF	0K97-01225-0000	Gasket; Deadshaft Bearings (2)
DR-025	BXF, FSS, FSP, PFE, PXF	0K97-01209-2400	Mount; Deadshaft (2)
DR-026	BXF, FSS, FSP, PFE, PXF	0017-00101-2128	Screw; Deadshaft Mount (M10 X 25) (4)
DR-027	BXF, FSS, FSP, PFE, PXF	0017-00009-1338	Tolerance Ring (2)
DR-028	BXF, FSS, FSP, PFE, PXF	0017-00104-0463	Washer; Tension Strap (2)
DR-029	FSS, PFE, BXF	0017-00101-2126	Screw; Rocker Arm (M10 X 35) (2)
DR-030	FSS, PFE, BXF	0017-00104-0527	Wedge Lock Washer (2)
DR-031	FSS, PFE, BXF	0017-00101-2030	Screw; Mounting Bock (M8 X 16)

Drive System

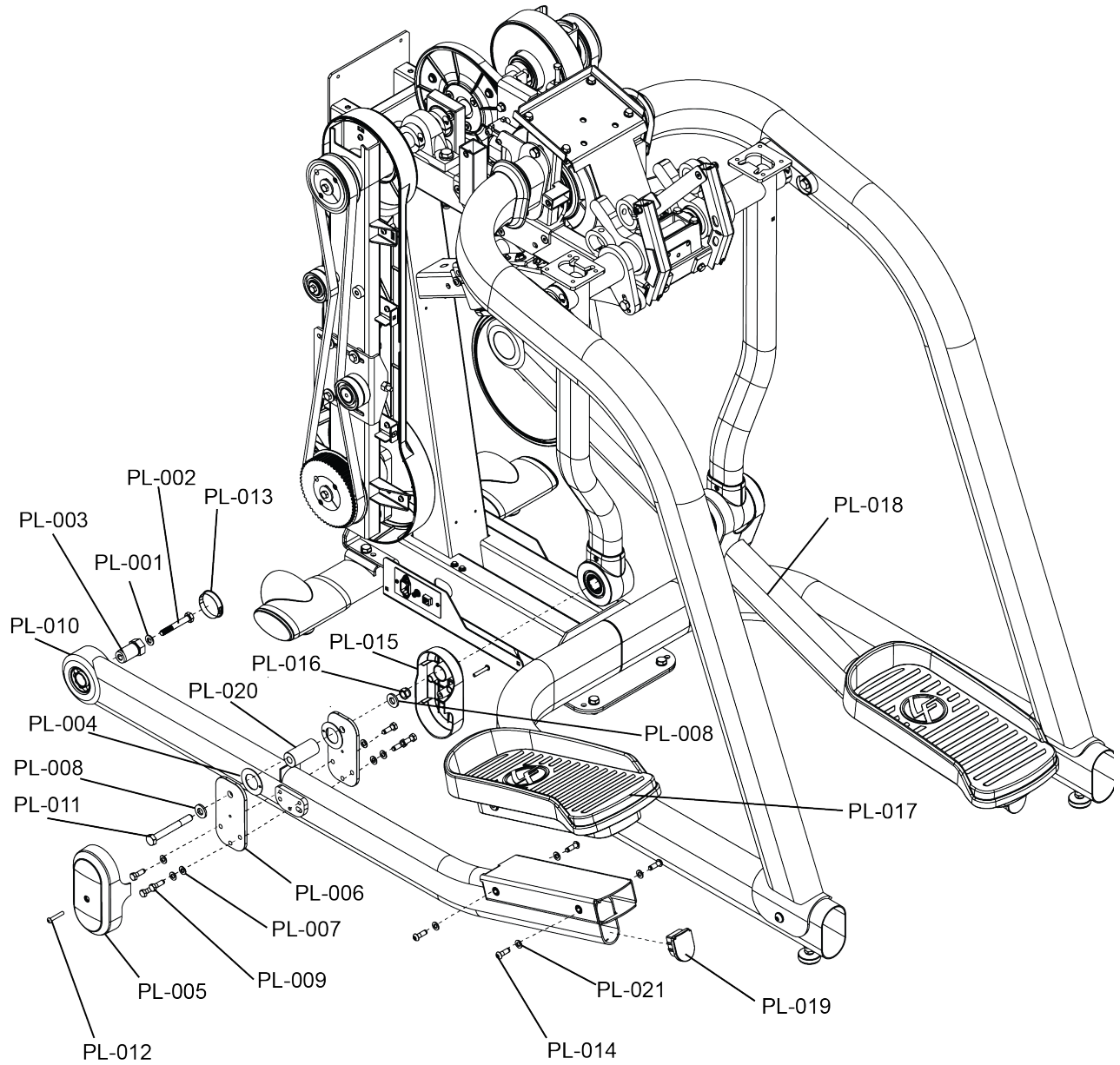


Parts List

Item	Alpha Code	Part Number	Description (Quantity)
DS-001	BXF, FSS, FSP, PFE, PXF	AK97-00050-0000	Drive Pulley with Life Shaft, Clutch Arm Assy, Shaft Collars, and Pillow Block Bearings
DS-002	BXF, FSS, FSP, PFE, PXF	0017-00101-2145	Screw; Tecspak (M6 X 75)
DS-003	BXF, FSS, FSP, PFE, PXF	0K97-01232-0000	Stand-Off; Stride Board Mnt
DS-004	BXF, FSS, FSP, PFE, PXF	AK97-00040-0000	Generator and Bracket Assy
DS-005	BXF, FSS, FSP, PFE, PXF	0017-00009-1344	Drive Belt
DS-006	BXF, FSS, FSP, PFE, PXF	0017-00103-0332	Nut; Pillow Block Bearing (4)
DS-007	BXF, FSS, FSP, PFE, PXF	0017-00104-0193	Washer; Pillow Block Bearing (8)
DS-008	BXF, FSS, FSP, PFE, PXF	0017-00101-2120	Bolt; Pillow Block Bearing (4)
DS-009	BXF, FSS, FSP, PFE, PXF	0017-00101-2129	Screw; Generator Bracket / Belt Tensioner Bracket (M8 X 16) (6)
DS-010	BXF, FSS, FSP, PFE, PXF	0017-00101-2002	Belt Tensioning Screw (M8 X 60)
DS-011	BXF, FSS, FSP, PFE, PXF	0017-00103-0328	Jam Nut Belt Tensioner
DS-012	BXF, FSS, FSP, PFE, PXF	AK97-00070-0000	Belt Tensioner Assy
DS-013	BXF, FSS, FSP, PFE, PXF	0017-00104-0468	Washer; Bottom Roller Timing Assy (4)
DS-014	BXF, FSS, FSP, PFE, PXF	0017-00104-0526	Washer; Outer Tecspak
DS-015	BXF, FSS, FSP, PFE, PXF	0017-00009-1354	Tecspak Damper

Linkage System

Pedal Levers



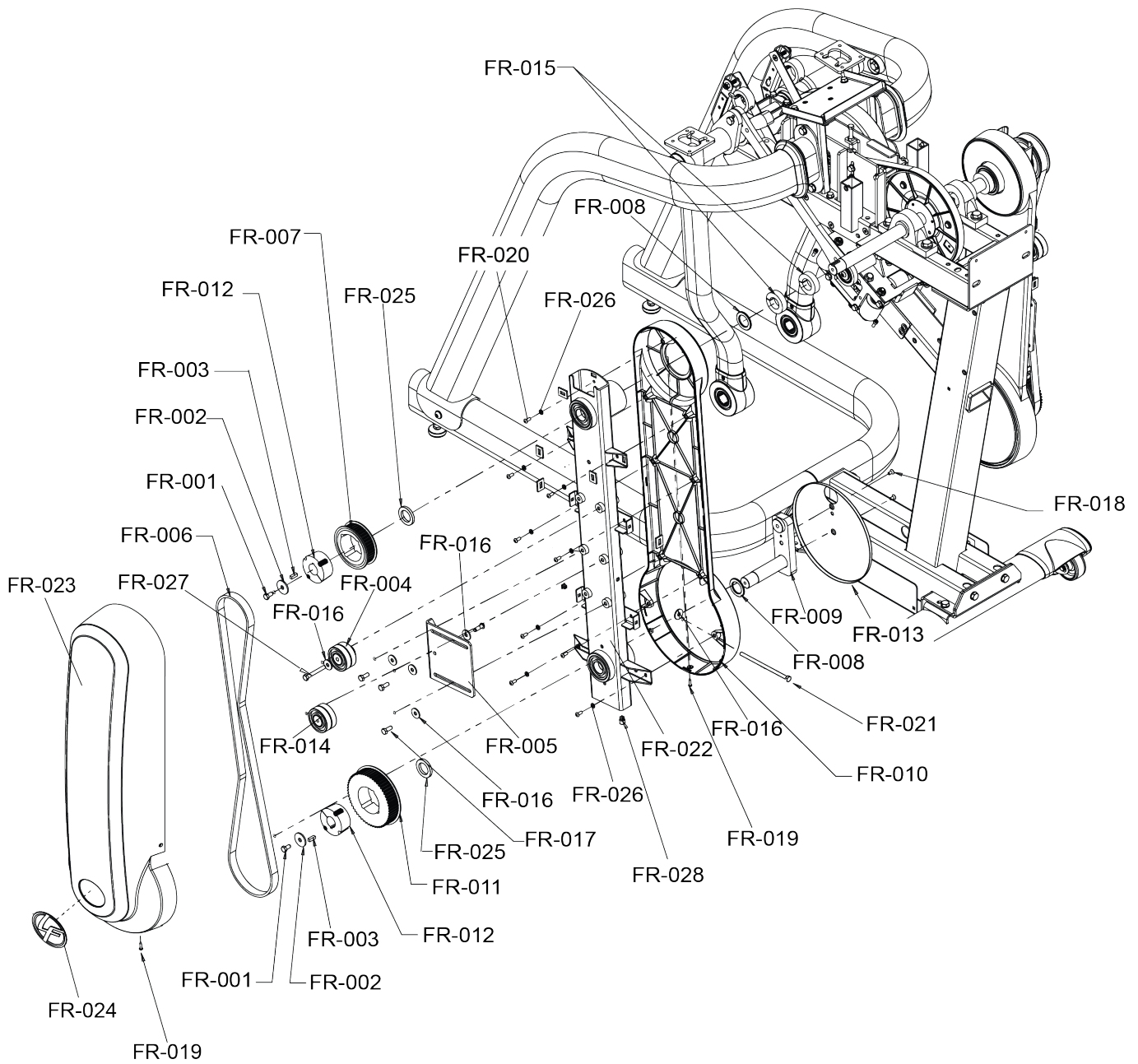
Refer to following page for Parts List.

Parts List

Item	Alpha Code	Part Number	Description (Quantity)
PL-001	BXF, FSS, FSP, PFE, PXF	0017-00104-0470	Washer; Crankshaft (2)
PL-002	BXF, FSS, FSP, PFE, PXF	0017-00101-2136	Bolt; Crankshaft (M10 X 70) (2)
PL-003	BXF, FSS, FSP, PFE, PXF	0K97-01076-0000	Hub; Pedal; Front (2)
PL-004	BXF, FSS, FSP, PFE, PXF	0017-00006-0314	Thrust Washer Bearing (4)
PL-005	BXF, FSS, FSP, PFE, PXF	0K97-01091-2400	Clevis Cover Left (2)
PL-006	BXF, FSS, FSP, PFE, PXF	0K97-01116-0000	Plate; Rocker (4)
PL-007	BXF, FSS, FSP, PFE, PXF	0017-00104-0469	Washer; Rocker Plate Lower (12)
PL-008	BXF, FSS, FSP, PFE, PXF	0017-00104-0193	Washer; Rocker Plate Upper (4)
PL-009	BXF, FSS, FSP, PFE, PXF	0017-00101-1945	Screw; Rocker Plate Lower (M8 X 20) (12)
PL-010	BXF, FSS, FSP, PFE, PXF	AK97-00017-2600	Pedal Lever Assy Left
PL-011	BXF, FSS, FSP, PFE, PXF	0017-00101-2125	Screw; Rocker Plate Upper (M12 X 100) (2)
PL-012	BXF, FSS, FSP, PFE, PXF	0017-00101-1954	Screw; Clevis Cover (M6 X 35) (4)
PL-013	BXF, FSS, FSP, PFE, PXF	0017-00009-1346	Cap; Crank Bolt (2)
PL-014	BXF, FSS, FSP, PFE, PXF	0017-00101-1929	Screw; Pedal (M8 X 25) (8)
PL-015	BXF, FSS, FSP, PFE, PXF	0K97-01092-2400	Clevis Cover Right (2)
PL-016	BXF, FSS, FSP, PFE, PXF	0017-00103-0332	Nut; Rocker Plater Upper (2)
PL-017	BXF, FSS, FSP, PFE, PXF	0K97-01075-0700	Pedal (2)
PL-018	BXF, FSS, FSP, PFE, PXF	AK97-00019-2600	Pedal Lever Assy Right
PL-019	BXF, FSS, FSP, PFE, PXF	0K97-01119-0700	Pedal Lever End Cap (2)
PL-020	BXF, FSS, FSP, PFE, PXF	0K97-01117-0000	Shaft; Rocker; Clevis
PL-021	BXF, FSS, FSP, PFE, PXF	0017-00104-0469	Washer; Pedal (8)

Timing System

Front Rocker Assemblies

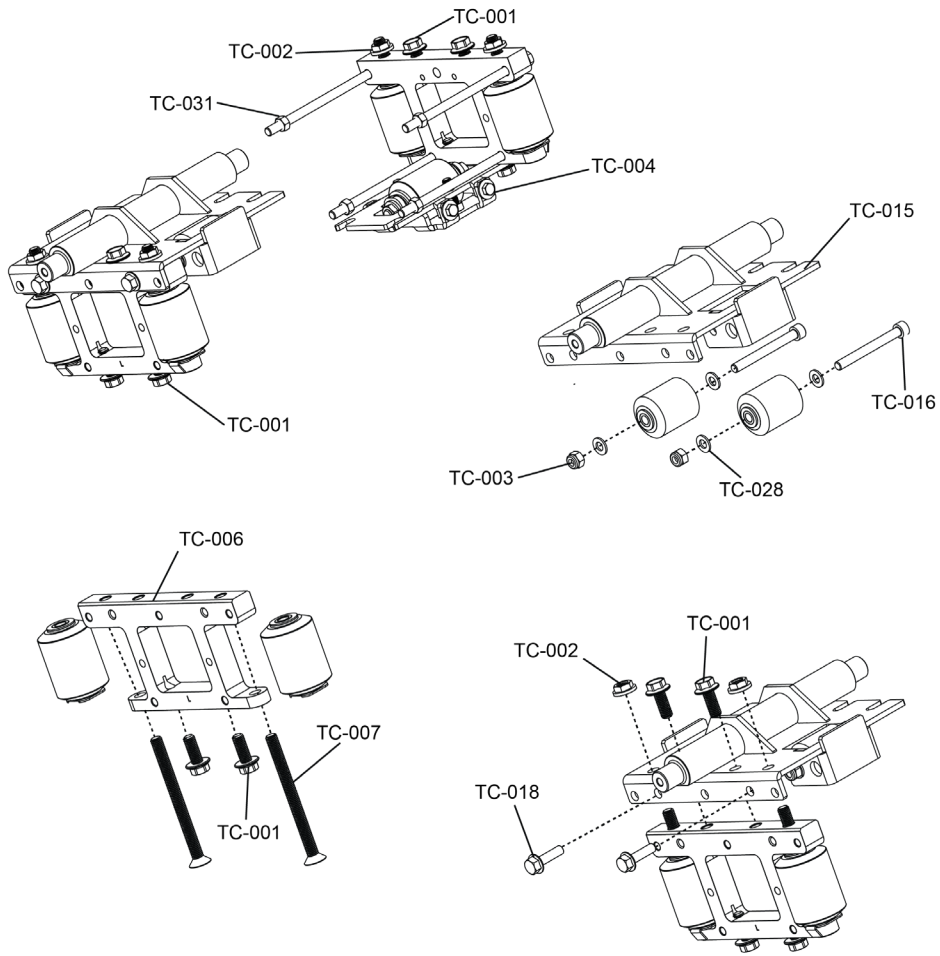
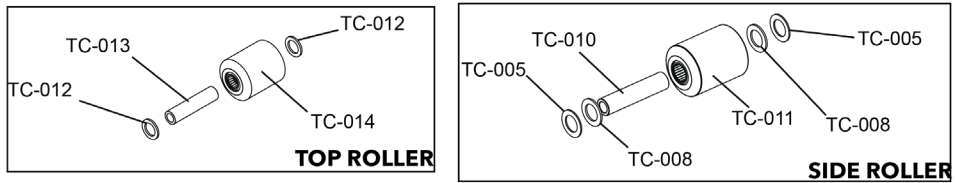


Refer to following page for Parts List.

Parts List

Item	Alpha Code	Part Number	Description (Quantity)
FR-001	FSS, PFE, BXF, PXF, FSP	0017-00101-1948	Screw; Timing Pulley (M8 X 16) (4)
FR-002	FSS, PFE, BXF, PXF, FSP	0017-00104-0529	Washer; Timing Pulley (4)
FR-003	FSS, PFE, BXF, PXF, FSP	0017-00009-1351	Key; Timing Pulley (4)
FR-004	FSS, PFE, BXF, PXF, FSP	AK97-00054-0000	Tensioning Idler Hub (Stationary) (2)
FR-005	FSS, PFE, BXF, PXF, FSP	AK97-00024-0000	Idler Mounting Bracket (2)
FR-006	FSS, PFE, BXF, PXF, FSP	0017-00009-1345	Timing Belt (2)
FR-007	FSS, PFE, BXF, PXF, FSP	0K97-01215-0000	Upper Timing Pulley (2)
FR-008	FSS, PFE, BXF, PXF, FSP	0K69-01074-0000	Thrust Washer (4)
FR-009	FSS, PFE, BXF, PXF, FSP	AK97-00025-0000	Crank Shaft (2)
FR-010	FSS, PFE, BXF, PXF, FSP	0K97-01089-2400	Inner Tic Toc Shroud (2)
FR-011	FSS, PFE, BXF, PXF, FSP	0K97-01214-0000	Lower Timing Pulley (2)
FR-012	FSS, PFE, BXF, PXF, FSP	0017-00009-1353	Bushing; Taper Lock with Set Screws (4)
FR-013	FSS, PFE, BXF, PXF, FSP	0K97-01093-0100	Crank Cover Pan; Arctic Silver (2)
	FSS, PFE, BXF, PXF, FSP	0K97-01093-2100	Crank Cover Pan; Platinum White (2)
	FSS, PFE, BXF, PXF, FSP	0K97-01093-2200	Crank Cover Pan; Titanium (2)
	FSS, PFE, BXF, PXF, FSP	0K97-01093-2300	Crank Cover Pan; Metallic Black (2)
FR-014	FSS, PFE, BXF, PXF, FSP	AK97-00053-0000	Adjustable Idler Hub (2)
FR-015	FSS, PFE, BXF, PXF, FSP	0K69-01018-0000	Shaft Collar (4)
FR-016	FSS, PFE, BXF, PXF, FSP	0017-00104-0479	Washer; Idler Mount Bracket (12)
FR-017	FSS, PFE, BXF, PXF, FSP	0017-00101-1906	Screw: Idler Mount Bracket (M8 X 20) (6)
FR-018	FSS, PFE, BXF, PXF, FSP	0017-00101-1988	Screw; Crank Cover Pan (M6 X 12) (4)
FR-019	FSS, PFE, BXF, PXF, FSP	0017-00101-1796	Screw; Outer Shroud (M4.2 X 19) (6)
FR-020	FSS, PFE, BXF, PXF, FSP	0017-00101-1953	Screw; Inner Shroud; Machine (M6 X 14) (14)
FR-021	FSS, PFE, BXF, PXF, FSP	0017-00101-2118	Idler Tensioning Bolt (2)
FR-022	FSS, PFE, BXF, PXF, FSP	AK97-00021-0700	Front Rocker Assy (2)
FR-023	FSS, PFE, BXF, PXF, FSP	0K97-01090-2400	Outer Tic Toc Shroud (2)
FR-024	FSS, PFE, BXF, PXF, FSP	0K65-01209-0000	LF Bug (3)
		0K65-01264-0000	PC Bug (3)
FR-025	FSS, PFE, BXF, PXF, FSP	0K97-01253-0000	Washer; Thrust (4)
FR-026	FSS, PFE, BXF, PXF, FSP	0017-00104-0488	Washer; Front Rocker (18)
FR-027	FSS, PFE, BXF, PXF, FSP	0017-00101-2002	Screw; Ball Bearing (M8 X 60) (2)
FR-028	FSS, PFE, BXF, PXF, FSP	0017-00042-1226	Plastic Grommet (2)

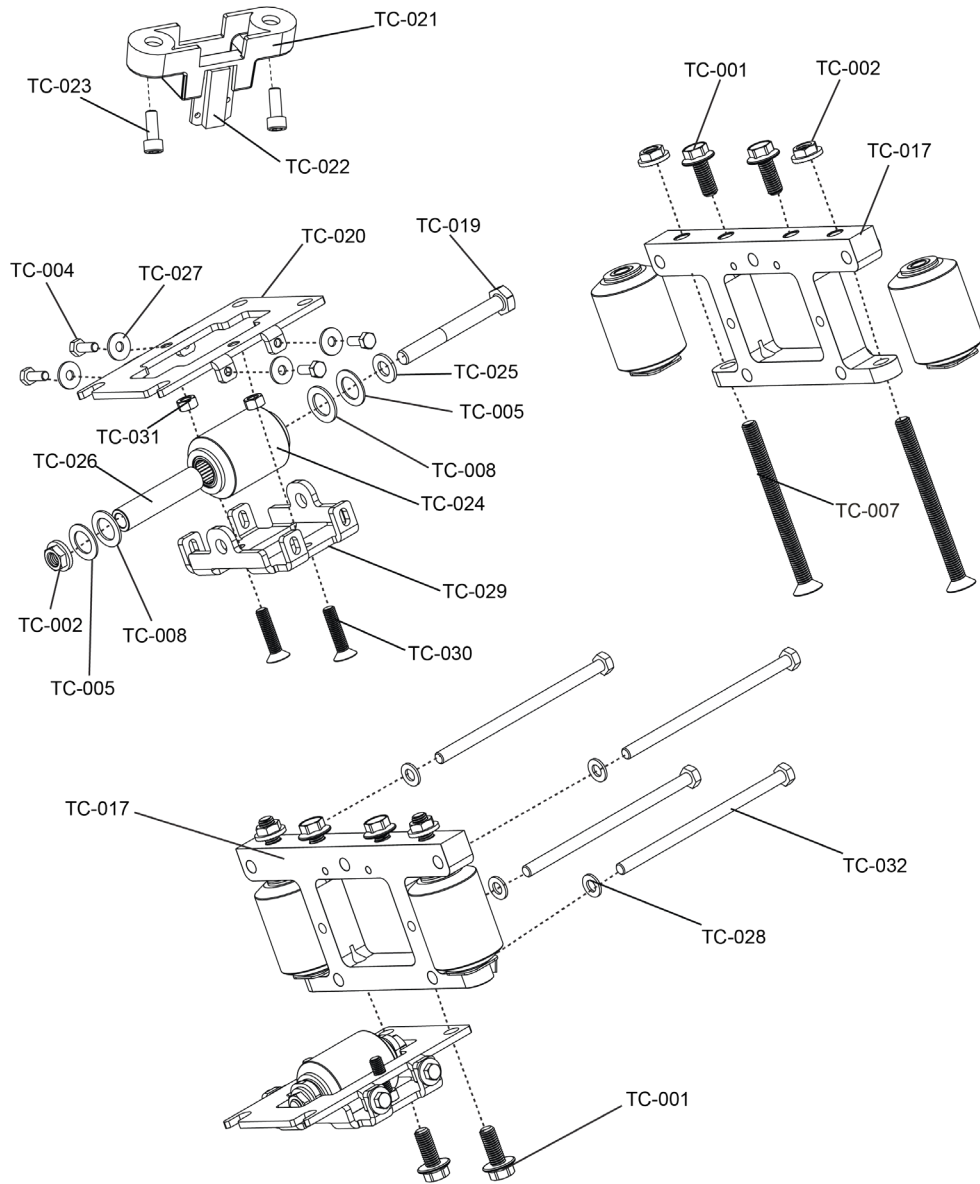
Timing Carriage



LEFT SIDE - TIMING CARRIAGE

Refer to page 18 for Parts List.

Timing Carriage - Continued



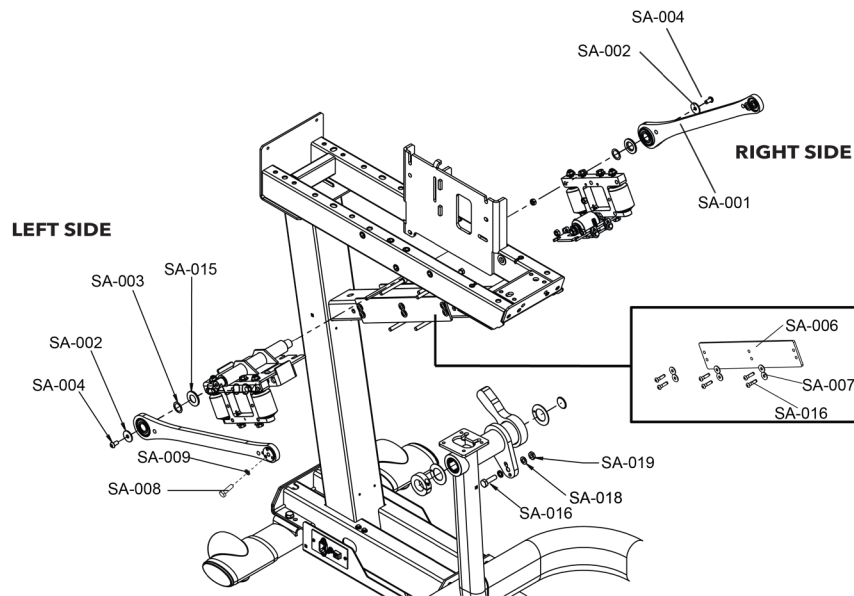
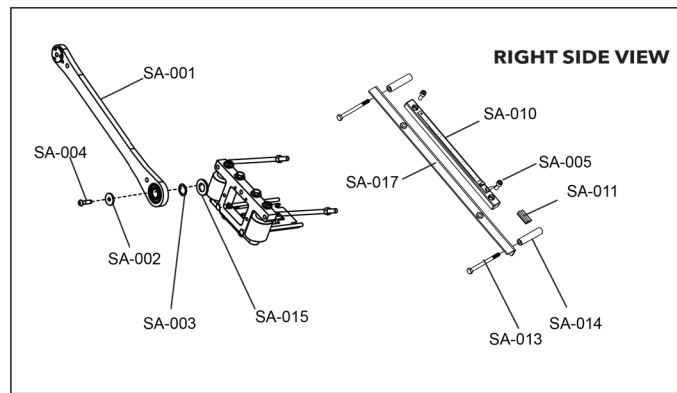
RIGHT SIDE - TIMING CARRIAGE

Refer to page 18 for Parts List.

Parts List - Continued

Item	Alpha Code	Part Number	Description (Quantity)
TC-001	FSS, PFE, BXF, PXF, FSP	0017-00101-2135	Screw; Top Weldment to Side Plates: Top (M10 X 25) (4)
	FSS, PFE, BXF, PXF, FSP		Screw; Timing Carriage: Bottom (M10 X 25) (4)
TC-002	FSS, PFE, BXF, PXF, FSP	0017-00103-0400	Nut; Roller Bearing Assy; Bottom
	FSS, PFE, BXF, PXF, FSP		Nut; Roller Bearing Assy: Side (4)
TC-003	FSS, PFE, BXF, PXF, FSP	0017-00103-0333	Nut; Roller Bearing Assy: Top (2)
TC-004	FSS, PFE, BXF, PXF, FSP	0017-00101-2146	Screw; Bottom Roller Timing Assy (M6 X 16) (4)
TC-005	FSS, PFE, BXF, PXF, FSP	0K47-01151-0000	Thrust Washer; Hardened: Roller Bearing Assy; Side (10)
TC-006	FSS, PFE, BXF, PXF, FSP	0K97-01254-0000	Plate; Timing Carriage: Left
TC-007	FSS, PFE, BXF, PXF, FSP	0017-00101-2134	Screw; Roller Bearing Assy: Side (M10 X 120) (4)
TC-008	FSS, PFE, BXF, PXF, FSP	0K47-01144-0000	Thrust Bearing; Roller Bearing Assy: Side (8)
	FSS, PFE, BXF, PXF, FSP		Thrust Washer; Roller Bearing Assy: Bottom (2)
TC-010	FSS, PFE, BXF, PXF, FSP	0K97-01223-0000	Shaft; Roller Bearing Assy: Side (4)
TC-011	FSS, PFE, BXF, PXF, FSP	AK97-00084-0000	Roller Bearing Assy: Side (4)
TC-012	FSS, PFE, BXF, PXF, FSP	0017-00006-0292	Thrust Bearing; Roller Bearing Assy: Top (4)
TC-013	FSS, PFE, BXF, PXF, FSP	0K68-01107-0000	Shaft; Roller Bearing Assy: Top (2)
TC-014	FSS, PFE, BXF, PXF, FSP	AK97-00085-0000	Roller Bearing Assy: Top (2)
TC-015	FSS, PFE, BXF, PXF, FSP	AK97-00097-0000	Weldment; Timing Carriage: Top
TC-016	FSS, PFE, BXF, PXF, FSP	0017-00101-1908	Screw; Roller Bearing Assy: Top (M8 X 75) (2)
TC-017	FSS, PFE, BXF, PXF, FSP	0K97-01222-0000	Plate; Timing Carriage: Right
TC-018	FSS, PFE, BXF, PXF, FSP	0017-00101-2130	Screw; Left Plate to Top Weldment: Side (2)
TC-019	FSS, PFE, BXF, PXF, FSP	0017-00101-2035	Screw; Roller Bearing Assy: Bottom
TC-020	FSS, PFE, BXF, PXF, FSP	0K97-01249-0000	Weldment; Timing Carriage: Bottom
TC-021	FSS, PFE, BXF, PXF, FSP	0K97-01234-0000	Stride Sensor Target Mount
TC-022	FSS, PFE, BXF, PXF, FSP	118E-00001-0305	Stride Sensor Target
TC-023	FSS, PFE, PXF, FSP	0017-00101-1891	Screw; Stride Sensor Target Mount (M6 X 16)(2)
TC-024	FSS, PFE, BXF, PXF, FSP	AK97-00079-0000	Roller Bearing Assy: Bottom
TC-025	FSS, PFE, BXF, PXF, FSP	0017-00104-0470	Washer; Roller Bearing Assy: Bottom
TC-026	FSS, PFE, BXF, PXF, FSP	0K97-01223-0000	Shaft; Roller Bearing Assy: Bottom
TC-027	FSS, PFE, BXF	0017-00104-0468	Washer; Bottom Roller Timing Assy (4)
TC-028	FSS, PFE, BXF, PXF, FSP	0017-00104-0469	Washer; Roller Bearing Assy: Top (4)
TC-029	FSS, PFE, BXF, PXF, FSP	0K97-01248-0000	Bracket; Timing Assembly; Monocolumn, Bottom
TC-030	FSS, PFE, BXF, PXF, FSP	0017-00101-2139	Screw, Timing Assembly (M8 X 35) (2)
TC-031	FSS, PFE, BXF, PXF, FSP	0017-00103-0328	Nut; Timing Assembly (2)
TC-032	FSS, PFE, BXF, PXF, FSP	0017-00101-2118	Screw; Timing Assembly (M8 X 150) (4)

Stride Assembly



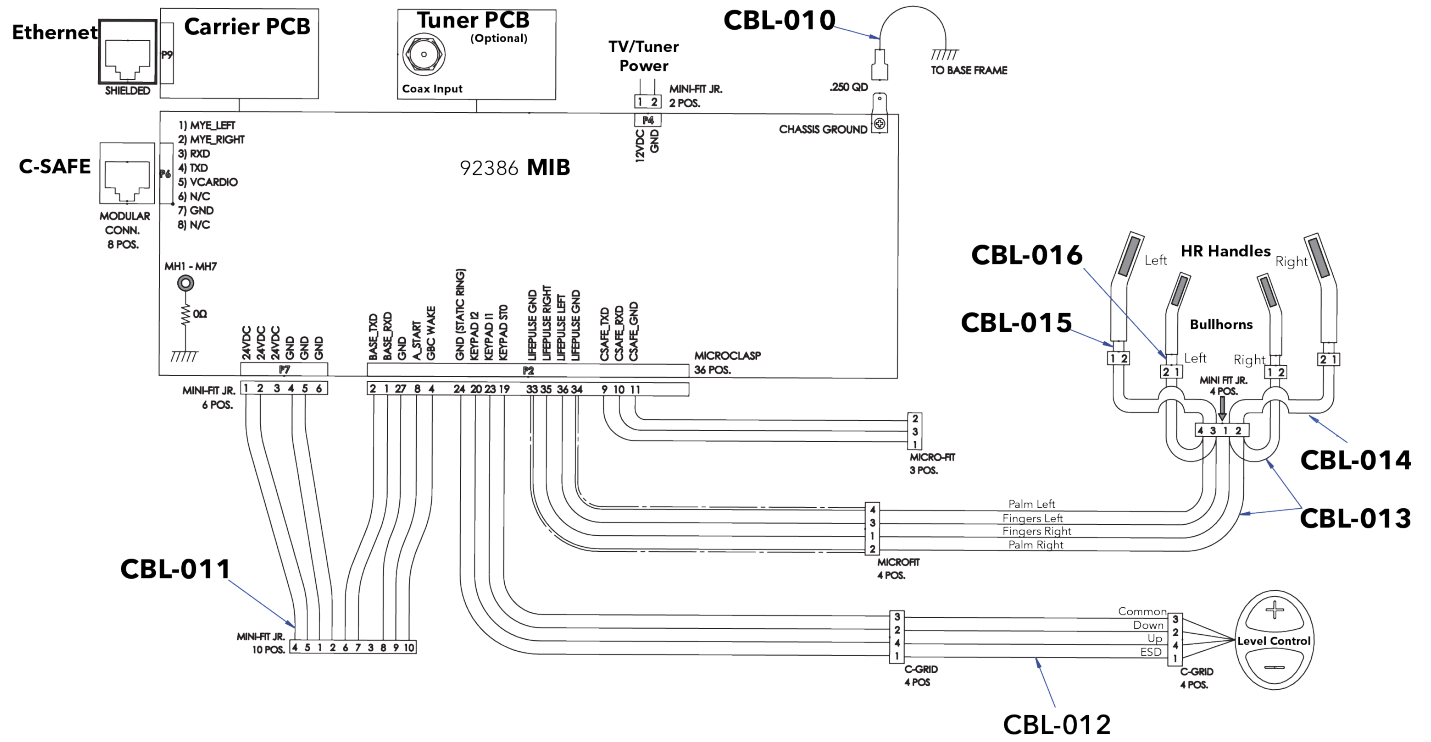
Parts List

Item	Alpha Code	Part Number	Description (Quantity)
SA-001	FSS, PFE, BXF, PXF, FSP	AK97-00030-0000	Timing Link (2)
SA-002	FSS, PFE, BXF, PXF, FSP	0017-00104-0409	Washer; Timing Link (2)
SA-003	FSS, PFE, BXF, PXF, FSP	0017-00104-0525	Washer; Inner Timing Link (2)
SA-004	FSS, PFE, BXF, PXF, FSP	0017-00101-2007	Screw; Timing Link to Roller Carriage (M8 X 16) (2)
SA-005	FSS, PFE, BXF, PXF, FSP	0017-00101-1891	Screw; Stride Sensor Board (M6 X 16) (2)
SA-006	FSS, PFE, BXF, PXF, FSP	AK97-00096-0000	Plate; Roller Track (2)
SA-007	FSS, PFE, BXF, PXF, FSP	0017-00104-0468	Washer; Plate Roller Track (8)
SA-008	FSS, PFE, BXF, PXF, FSP	0017-00101-2126	Screw; Timing Link to Rocker Arm (M10 X 35)
SA-009	FSS, PFE, BXF, PXF, FSP	0017-00104-0527	Wedge Lock Washer
SA-010	FSS, PFE, BXF, PXF, FSP	AK97-00061-0000	Stride Sensor Board Assy
SA-011	FSS, PFE, BXF, PXF, FSP	0017-00009-1350	Cable Clip
SA-013	FSS, PFE, BXF, PXF, FSP	0017-00101-2145	Screw; Stride Sensor Bracket (M6 X 75) (2)
SA-014	FSS, PFE, BXF, PXF, FSP	0K97-01232-0000	Spacer; Stride Sensor Bracket (2)
SA-015	FSS, PFE, BXF, PXF, FSP	0K97-01241-0000	Spacer; Timing Link (2)
SA-016	FSS, PFE, BXF, PXF, FSP	0017-00101-2022	Screw, Plate Roller Track (M6 X 25) (12)
SA-017	FSS, PFE, BXF, PXF, FSP	AK97-00095-0000	Assembly: Stride Board Mount
SA-018	FSS, PFE, BXF, PXF, FSP	0017-00104-0190	Washer, Timing Link (2)
SA-019	FSS, PFE, BXF, PXF, FSP	0017-00103-0330	Nut; Timing Link (2)

Electrical

Wiring Diagrams

Refer to Cable List on Page 22.



Cable List

Item	Alpha Code	Part Number	Description (Quantity)
CBL-001	PFE	AK92-00253-0004	CABLE ASSY: POWER HUB TO DISCOVER; FLEXSTRIDER
CBL-002	FSS, PFE, BXF, PXF, FSP	AK97-00074-0000	CBL-ASSY: EXTERNAL POWER; FLEXSTRIDER
CBL-003	-	AK65-00062-0000	COAX ASSY: RG6; BASE
CBL-004	FSS	AK70-00092-0000	CABLE ASSY : CAT-5E
	PFE, PXF, FSP, BXF	AK70-00092-0005	CABLE ASSY: CAT-5E, V2, 96 INCHES
CBL-005	FSS	AK97-00063-0000	CBL ASSY: AC POWER, IEC C13 TO FASTONS
CBL-006	FSS, PFE, BXF, PXF, FSP	AK97-00081-0000	CBL ASSY: GROUND
CBL-007	FSS, FSP	AK97-00065-0000	CBL ASSY: SLD TO GBC
CBL-008	FSS, PFE, BXF, PXF, FSP	AK97-00075-0000	CBL ASSY: GENERATOR BRACKET TO PCB
CBL-009	FSS, PFE, BXF, PXF, FSP	AK97-00064-0000	CBL ASSY: LTS TO SLD
CBL-010	FSS, PFE, BXF, PXF, FSP	AK65-00103-0002	CBL ASSY: GROUND ESD
CBL-011	FSS, PFE	AK97-00077-0000	CBL-ASSY: EXTENSION TO CONSOLE; FLEXSTRIDER
CBL-012	FSS, PFE, BXF, PXF, FSP	AK69-00108-0000	CBL-ASSY: KEYPAD
CBL-013	FSS, PFE, BXF, PXF, FSP	AK69-00109-0000	CBL-ASSY:LIFEPULSE Y
CBL-014	FSS, PFE, BXF, PXF, FSP	AK97-00066-0000	CBL ASSY: LIFEPULSE FLEX, STRIDE
CBL-015	-	AK61-00051-0000	CBL ASSY: USER-ARM S/C-C
CBL-016	FSS, PFE, BXF, FSP, PXF	AK61-00051-0002	CBL ASSY: USER-ARM S/C-C